



US00D930224S

(12) **United States Design Patent** (10) **Patent No.:** **US D930,224 S**  
**Lin** (45) **Date of Patent:** **\*\* Sep. 7, 2021**

(54) **LED RING LIGHT WITH TRIPOD STAND**

(71) Applicant: **HUMBOLDT TECHNOLOGY (HK) LIMITED**, Hong Kong (HK)

(72) Inventor: **Wuqiang Lin**, Shenzhen (CN)

(\*\*) Term: **15 Years**

(21) Appl. No.: **29/765,964**

(22) Filed: **Jan. 13, 2021**

(51) **LOC (13) Cl.** ..... **26-05**

(52) **U.S. Cl.**  
USPC ..... **D26/106; D16/244**

(58) **Field of Classification Search**  
USPC ..... D26/49, 60, 63, 72, 79, 85, 89, 92, 93,  
D26/104, 106, 111, 118, 123, 124, 138;  
D16/136, 237, 239, 244, 245, 250;  
D28/9, 15, 16, 17, 99; D14/253; D8/71,  
D8/72

CPC ..... F21V 21/00; F21V 21/14; F21V 21/30;  
F21V 21/096; F21V 1/00; F21V 1/12;  
F21V 17/06; F21V 15/01; F21V 14/00;  
F21V 14/02; G03B 2215/0575; G03B  
2215/0539; G03B 2215/0592; G03B  
2215/0589; G03B 15/03; G03B 15/05;  
A45F 2200/0508-0533; F21K 5/00; F21K  
5/02; F21S 8/003; F21S 8/043

See application file for complete search history.

(56) **References Cited**

**U.S. PATENT DOCUMENTS**

D250,968 S *	1/1979	Combest	.....	D26/152
D364,241 S *	11/1995	Jaynes	.....	D26/106
D580,580 S *	11/2008	Lodhie	.....	D26/67
D611,178 S *	3/2010	Waring	.....	D26/34
D617,035 S *	6/2010	Sabernig	.....	D26/89
D636,513 S *	4/2011	Furtsch	.....	D26/51
D666,764 S *	9/2012	Gilad	.....	D26/87
D712,073 S *	8/2014	Hirabayashi	.....	D26/2

D826,023 S *	8/2018	Chun	.....	D8/72
D827,180 S *	8/2018	Mou	.....	D26/72
D829,724 S *	10/2018	Chun	.....	D14/447
D845,960 S *	4/2019	Yao	.....	D14/447
D847,800 S *	5/2019	Wengreen	.....	D14/238.1
D854,227 S *	7/2019	Yu	.....	D26/106
D855,242 S *	7/2019	Chen	.....	D26/106
D860,485 S *	9/2019	Yu	.....	D26/24
D872,348 S *	1/2020	Liu	.....	D26/106
D880,048 S	3/2020	Zhu		
D886,360 S	6/2020	Xu		
D887,052 S	6/2020	Xu		
D895,716 S *	9/2020	Chen	.....	D16/244

(Continued)

*Primary Examiner* — Wan Laymon  
*Assistant Examiner* — Clint A Samuel

(57) **CLAIM**

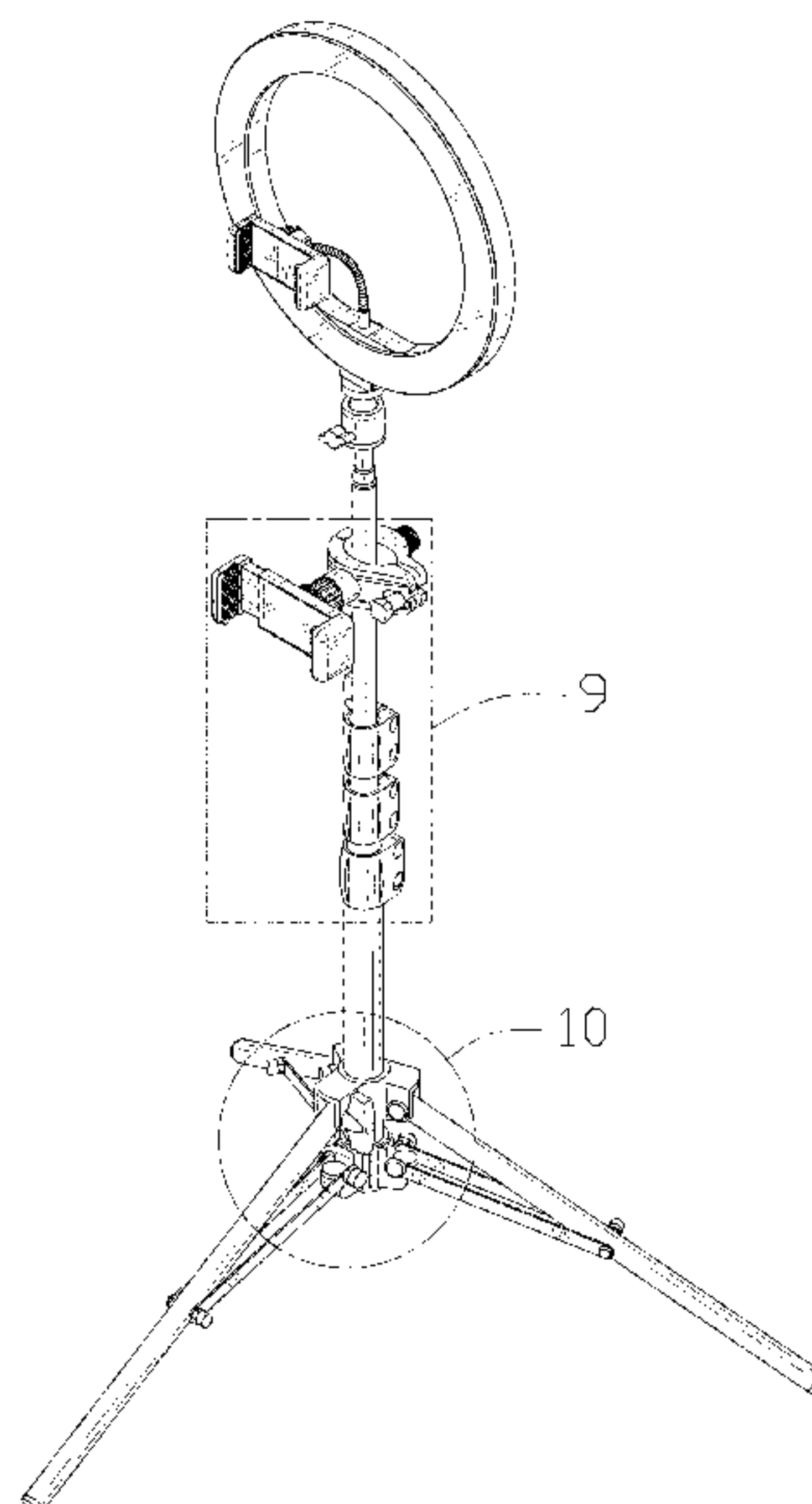
The ornamental design for a led ring light with tripod stand, as shown and described.

**DESCRIPTION**

FIG. 1 is a first perspective view of a led ring light with tripod stand showing my new design;  
FIG. 2 is a second perspective view thereof;  
FIG. 3 is a front view thereof;  
FIG. 4 is a back view thereof;  
FIG. 5 is a left side view thereof;  
FIG. 6 is a right side view thereof;  
FIG. 7 is a top view thereof;  
FIG. 8 is a bottom view thereof;  
FIG. 9 is an enlarged view of the selected portion 9 in FIG. 1;  
FIG. 10 is an enlarged view of the selected portion 10 in FIG. 1; and,  
FIG. 11 is an enlarged view of the selected portion 11 in FIG. 2.

The broken lines shown in the drawings depict portions of the led ring light with tripod stand in which the design is embodied that form no part of the claimed design.

**1 Claim, 11 Drawing Sheets**



(56)

**References Cited**

## U.S. PATENT DOCUMENTS

D895,877 S \* 9/2020 Kaiser ..... D26/72  
D901,054 S \* 11/2020 Zhao ..... D26/61  
D901,749 S \* 11/2020 Chen ..... D26/106  
D907,027 S \* 1/2021 Halpern ..... D14/253  
D907,836 S \* 1/2021 Zhou ..... D26/106  
D909,456 S \* 2/2021 Xiao ..... D16/244  
D909,649 S \* 2/2021 Chu ..... D26/63  
D910,220 S \* 2/2021 Wang ..... D26/63  
D910,221 S \* 2/2021 Wang ..... D26/63  
D916,173 S \* 4/2021 Zeng ..... D16/244  
D917,604 S \* 4/2021 Zeng ..... D16/244  
D920,421 S \* 5/2021 Li ..... D16/244  
D922,471 S \* 6/2021 Li ..... D16/244  
D924,454 S \* 7/2021 Xiong ..... D26/51  
2013/0265752 A1 \* 10/2013 Shimizu ..... F21V 5/045  
362/231  
2016/0069548 A1 \* 3/2016 Wessel ..... F21S 9/02  
362/183  
2017/0118385 A1 \* 4/2017 Vargas ..... G03B 17/561  
2019/0003699 A1 \* 1/2019 Mondora ..... F21V 33/004  
2020/0281054 A1 \* 9/2020 Li ..... H05B 45/10  
2021/0180783 A1 \* 6/2021 Frydenger ..... F21V 23/003

\* cited by examiner

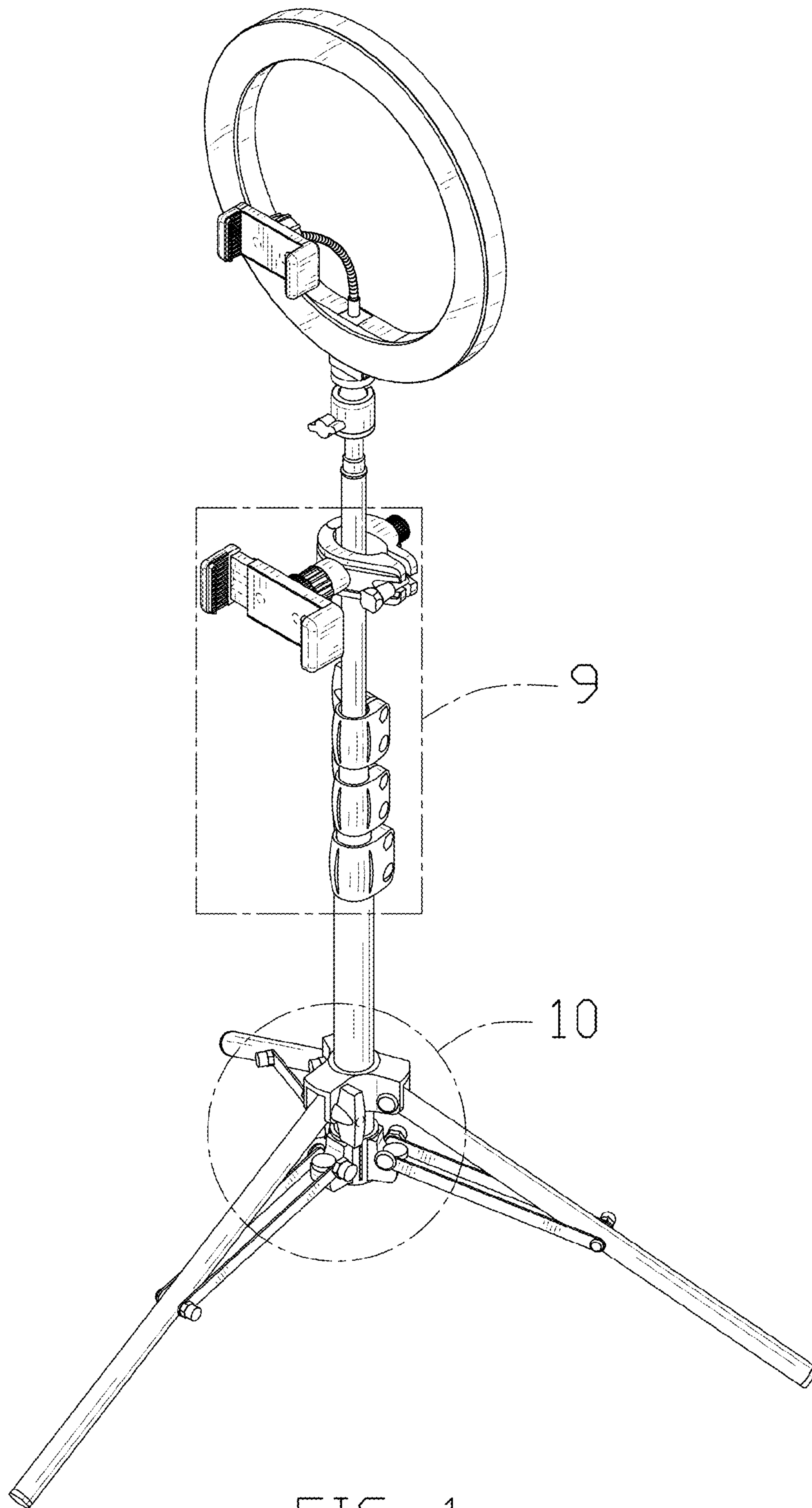


FIG. 1

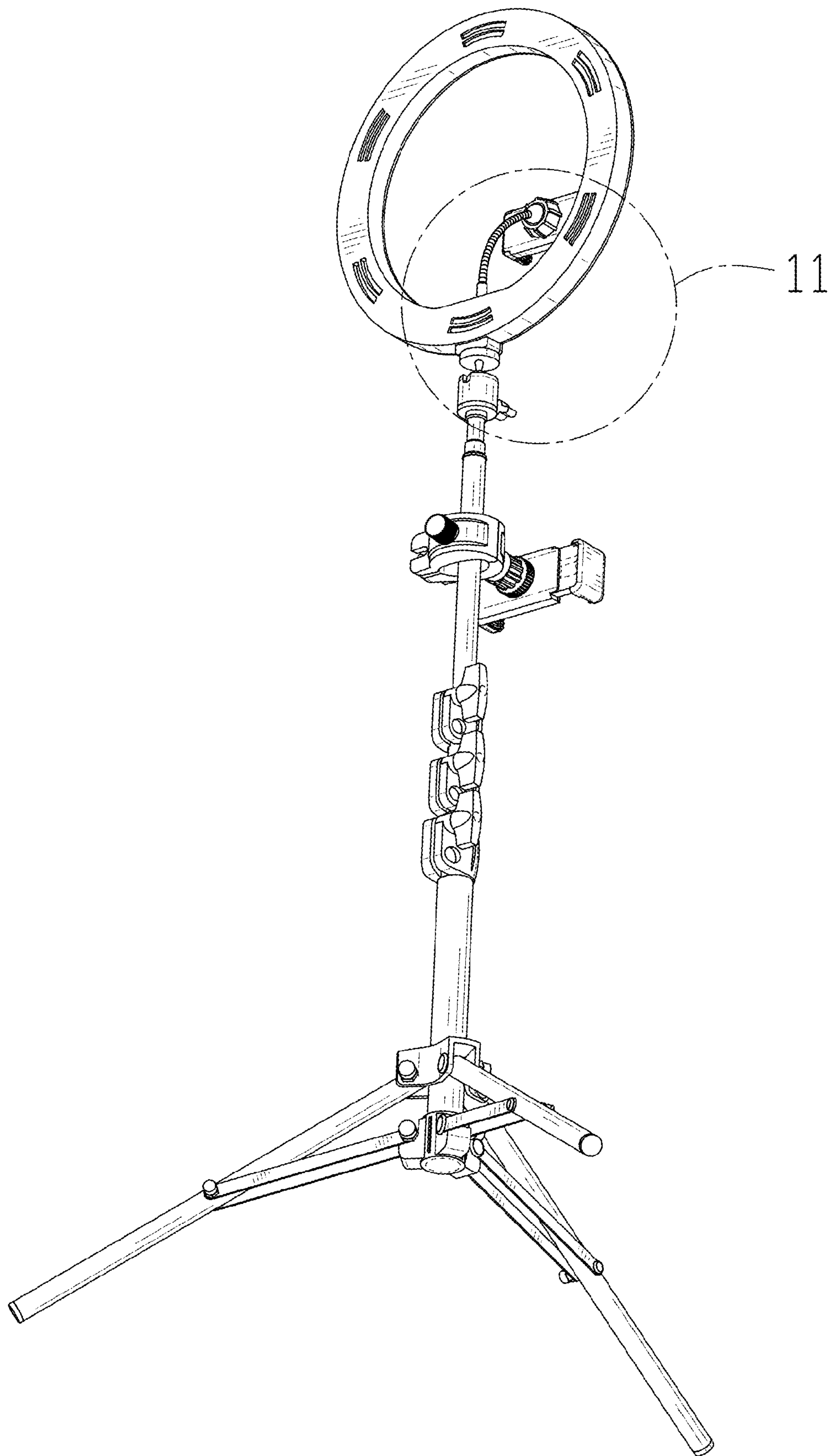


FIG. 2



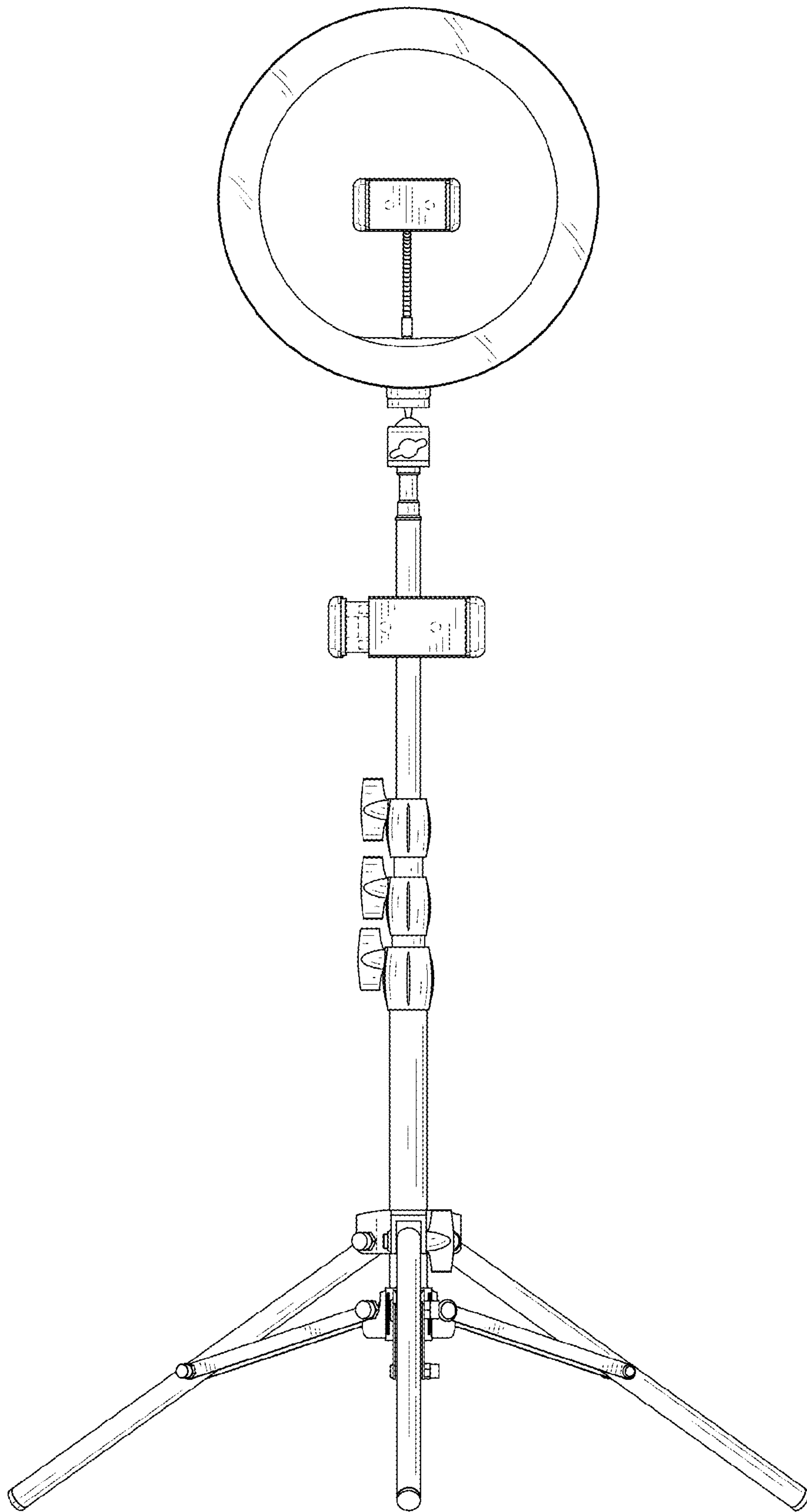


FIG. 3

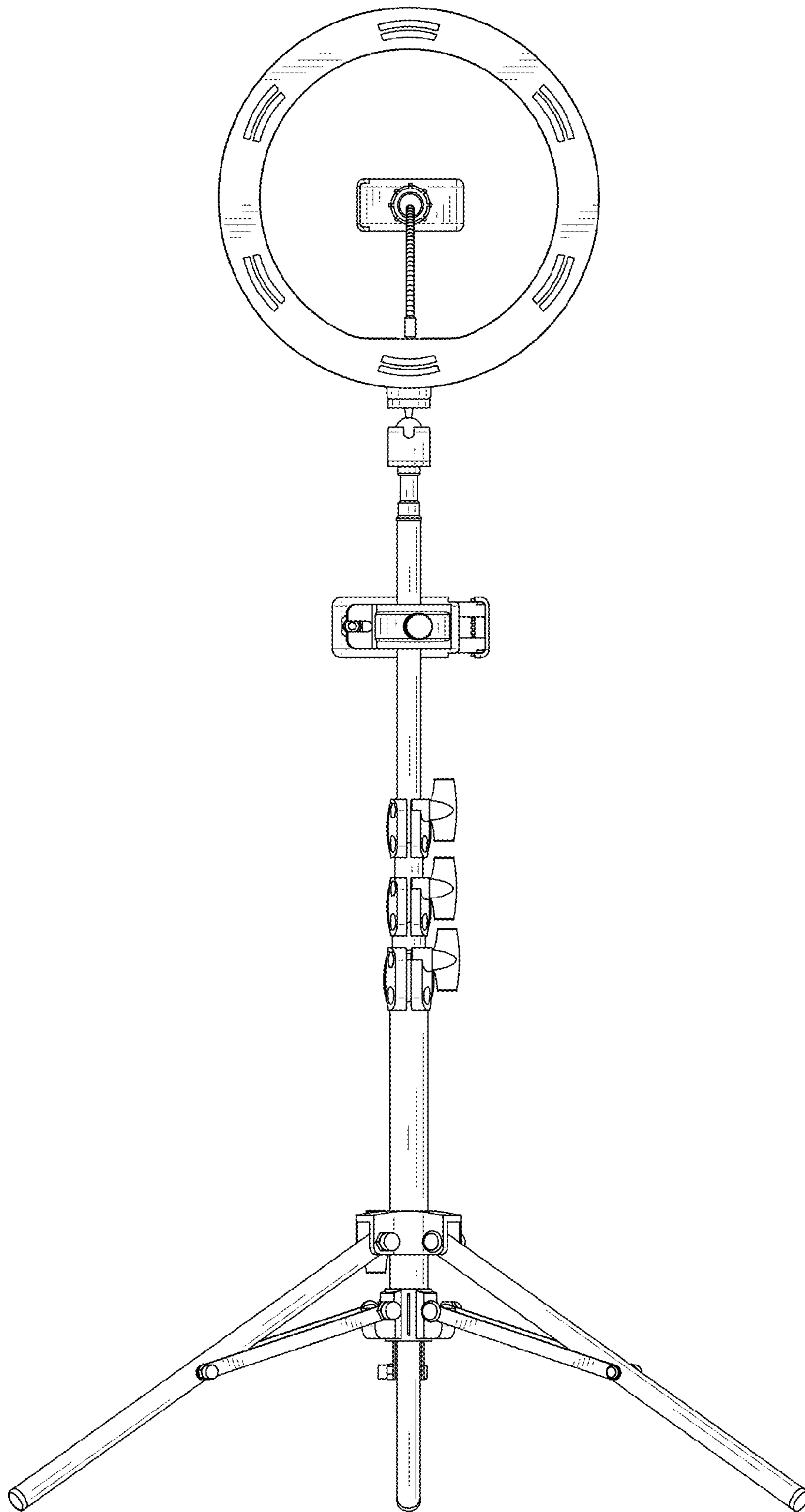


FIG. 4

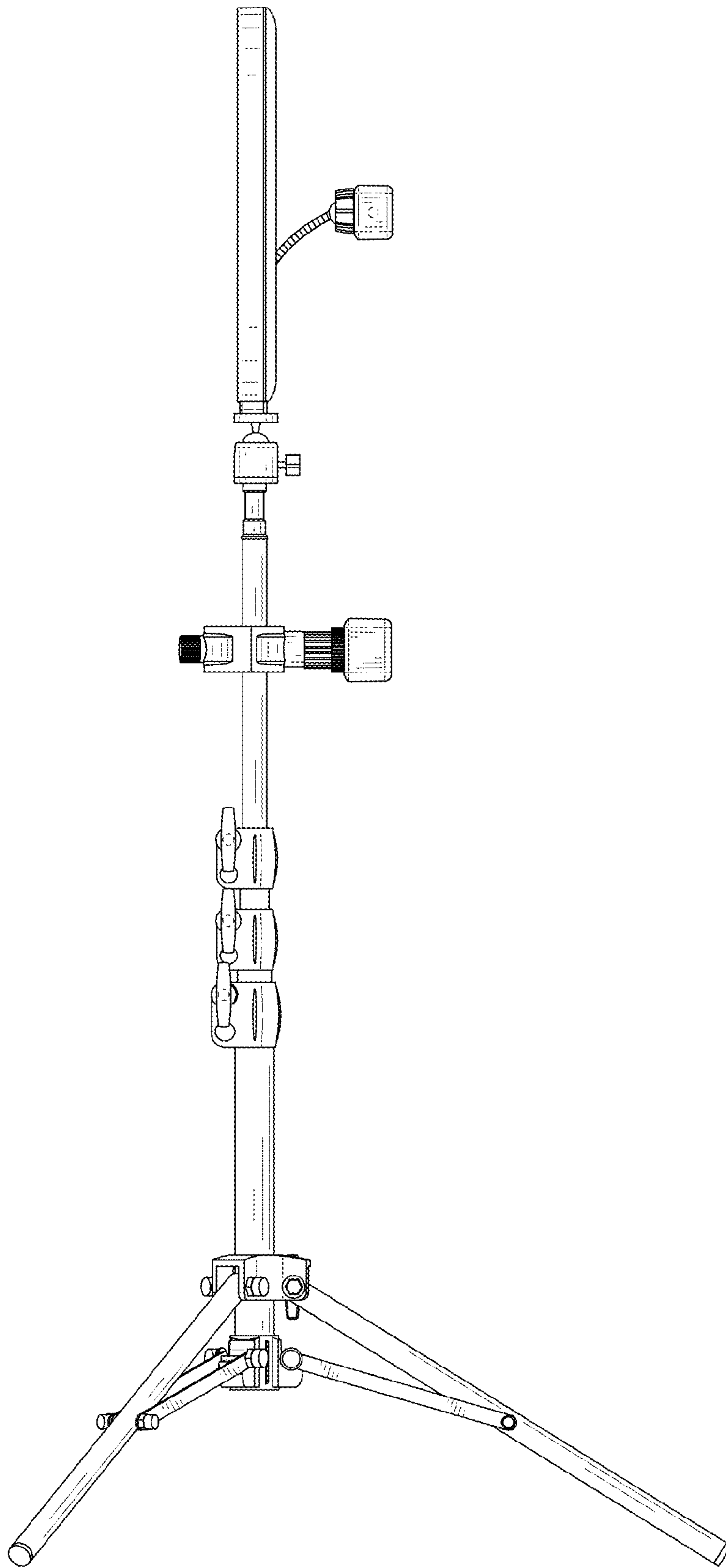


FIG. 5

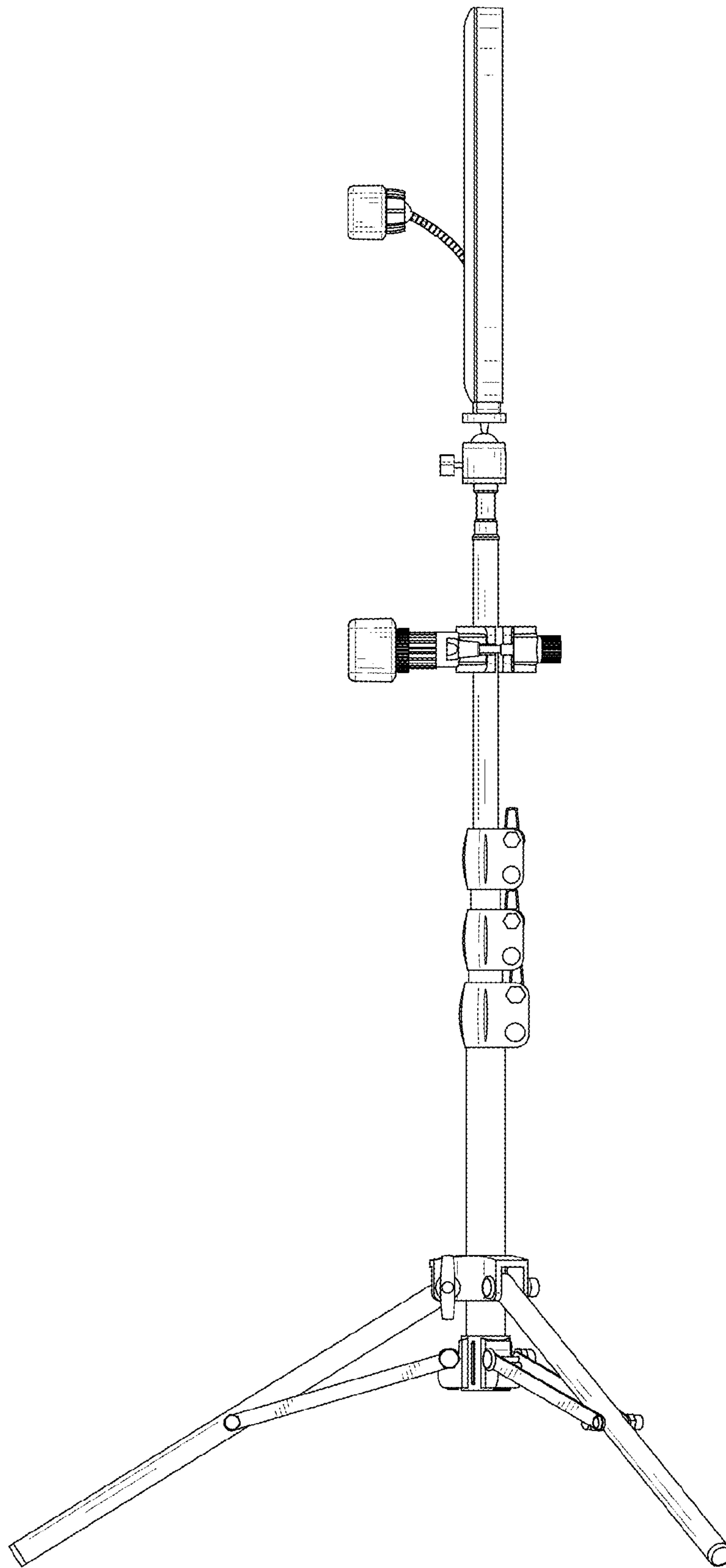


FIG. 6



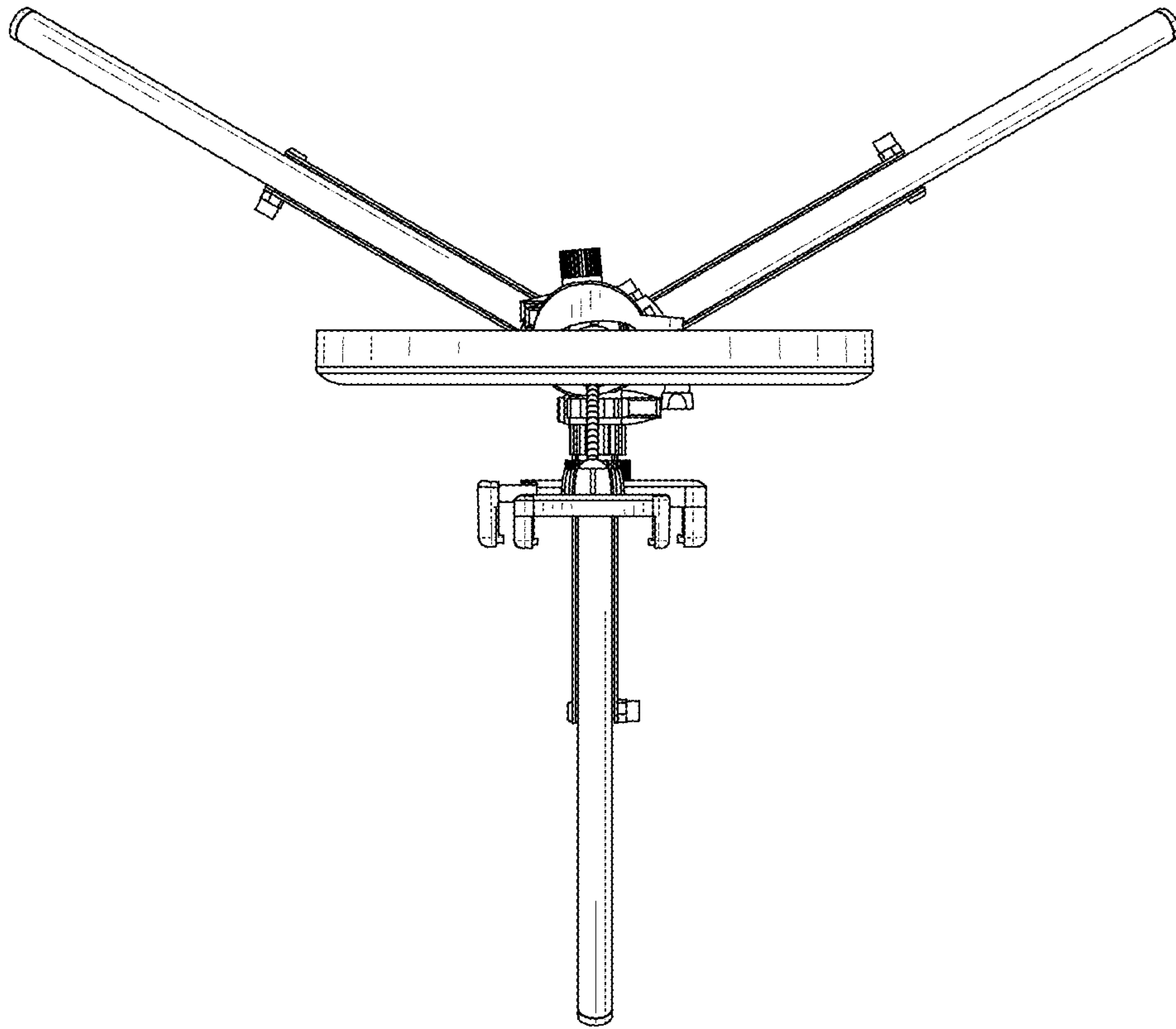


FIG. 7

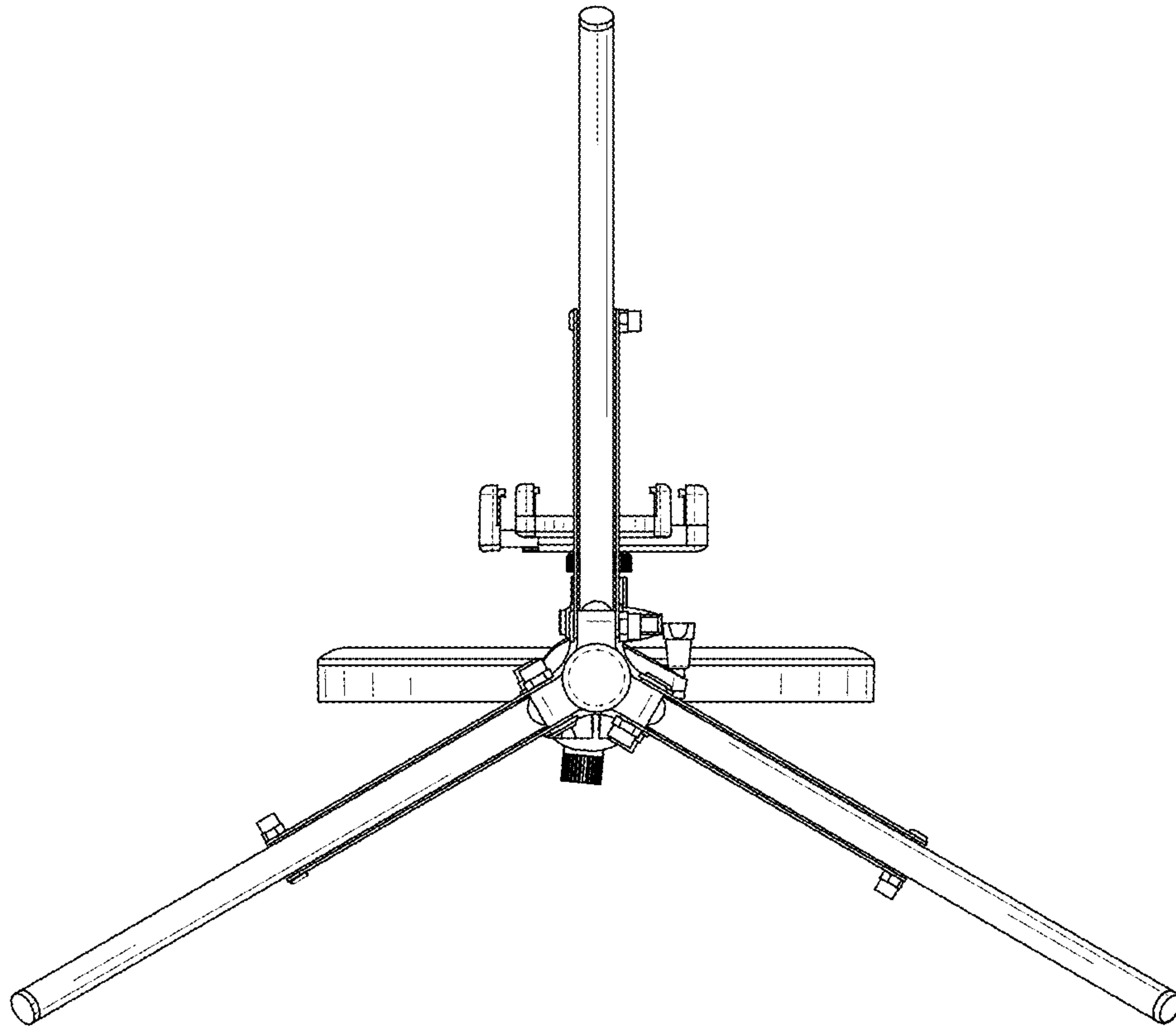


FIG. 8

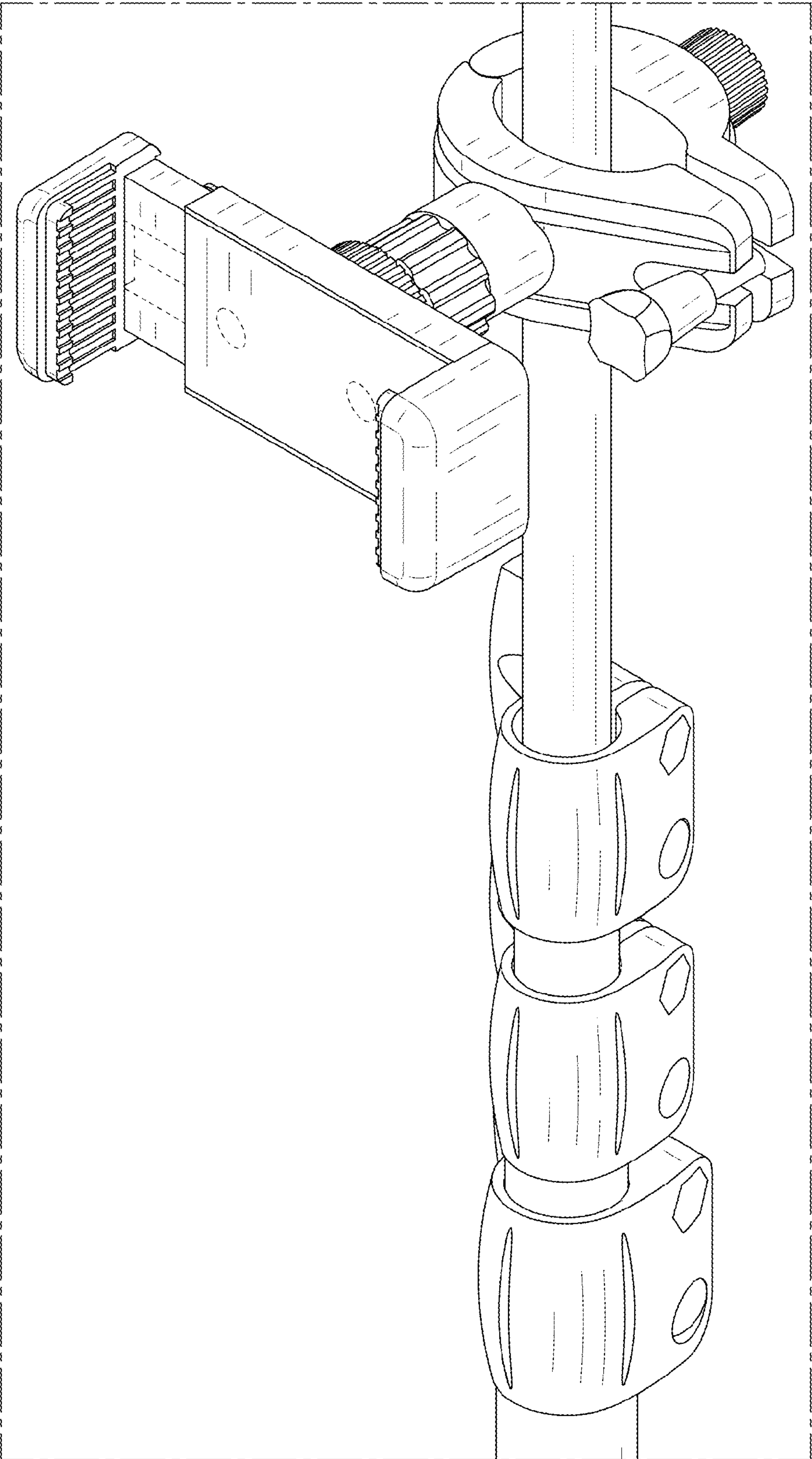


FIG. 9

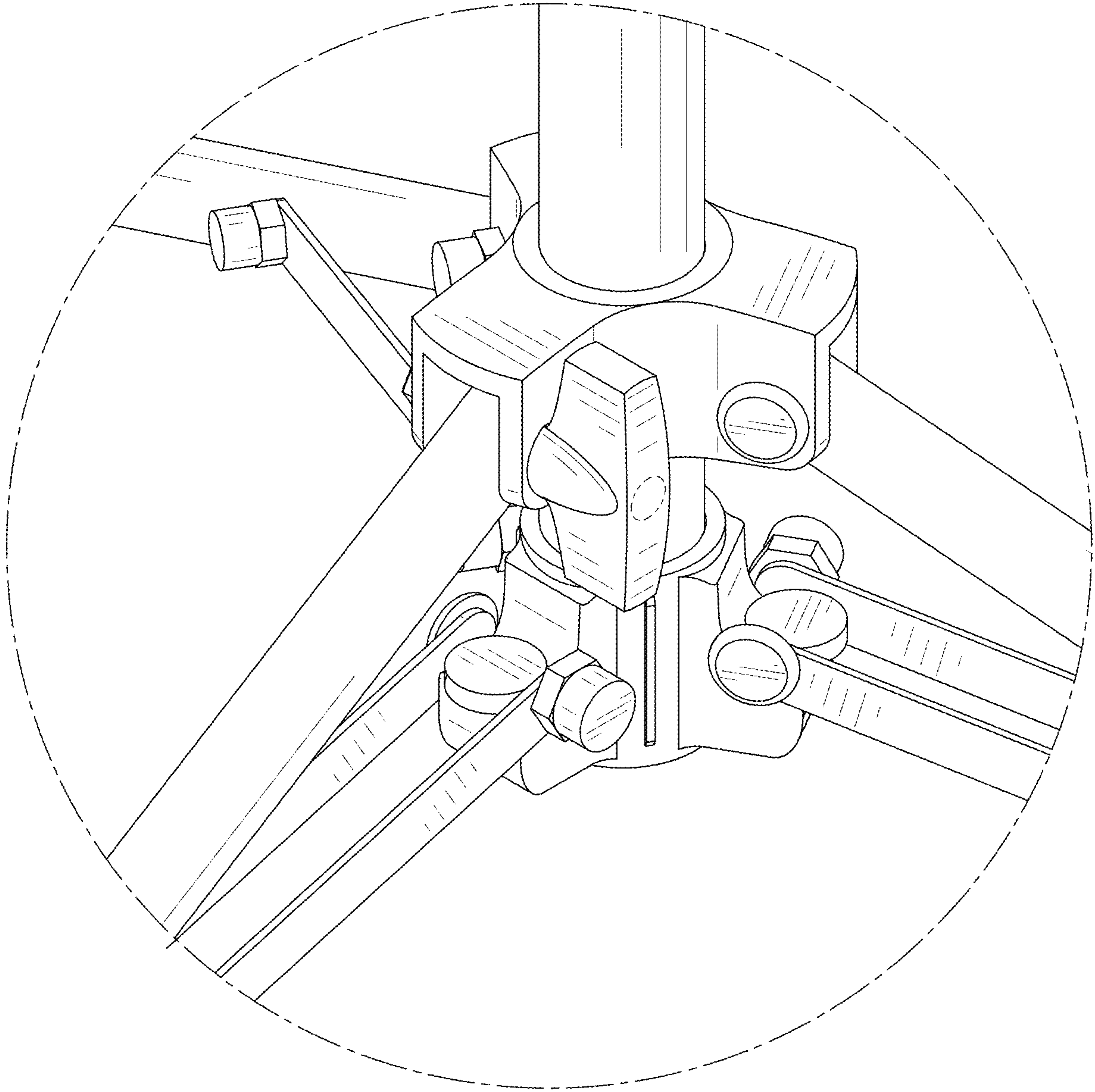


FIG. 10

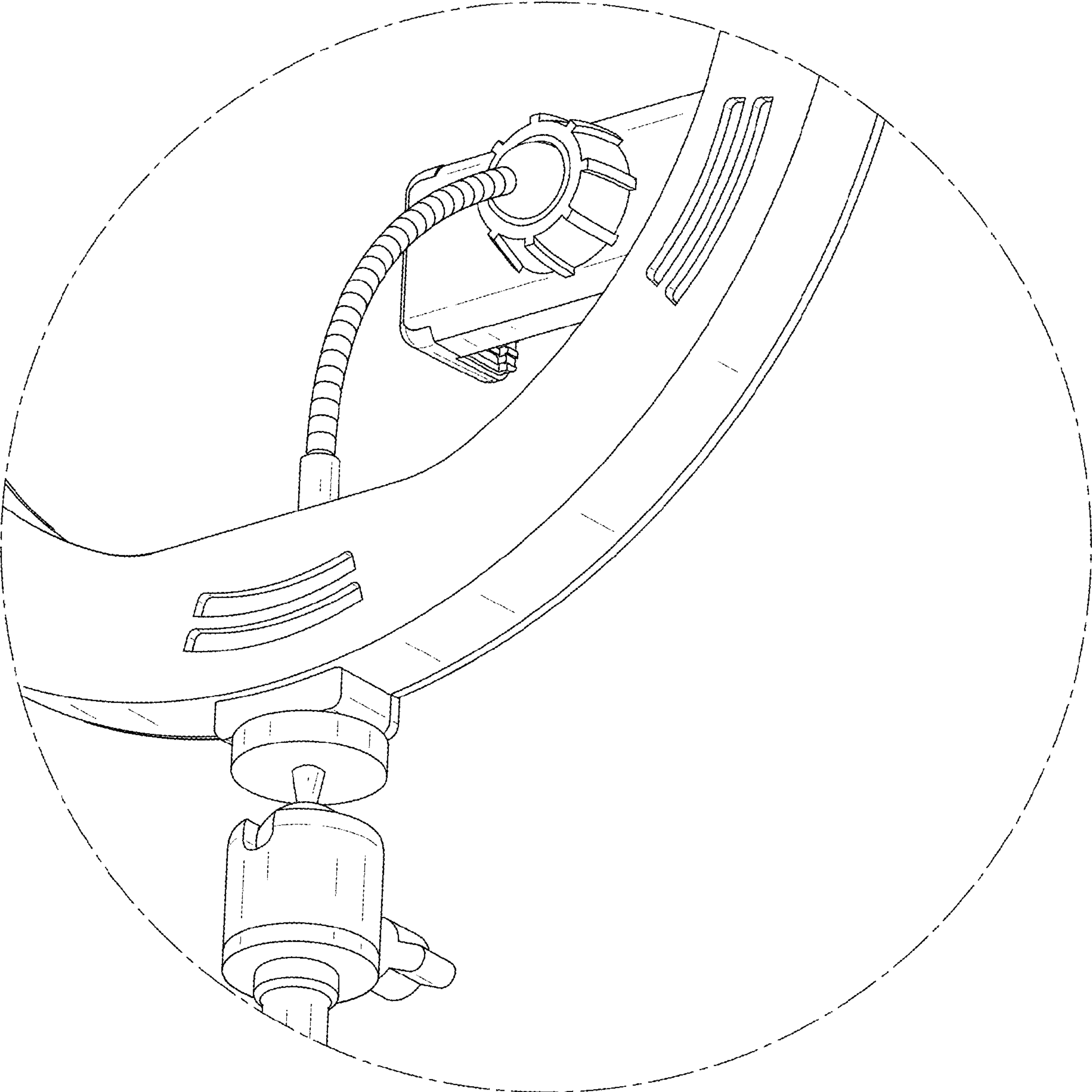


FIG. 11