



US00D930223S

(12) **United States Design Patent** (10) **Patent No.:** **US D930,223 S**
Ran (45) **Date of Patent:** **** Sep. 7, 2021**

(54) **LED RING LIGHT WITH TRIPOD STAND**

Primary Examiner — Wan Laymon
Assistant Examiner — Clint A Samuel

(71) Applicant: **Zhou Ran**, Chongqing (CN)

(72) Inventor: **Zhou Ran**, Chongqing (CN)

(**) Term: **15 Years**

(21) Appl. No.: **29/765,425**

(22) Filed: **Jan. 8, 2021**

(51) **LOC (13) Cl.** **26-05**

(52) **U.S. Cl.**
USPC **D26/106**; D16/244

(58) **Field of Classification Search**
USPC D26/49, 60, 63, 72, 79, 85, 89, 92, 93,
D26/104, 106, 111, 118, 123, 124, 138;
D16/136, 237, 239, 244, 245, 250;
D28/9, 15, 16, 17, 99; D14/253; D8/71,
D8/72
CPC F21V 21/00; F21V 21/14; F21V 21/30;
F21V 21/096; F21V 1/00; F21V 1/12;
F21V 17/06; F21V 15/01; F21V 14/00;
F21V 14/02; G03B 2215/0575; G03B
2215/0539; G03B 2215/0592; G03B
2215/0589; G03B 15/03; G03B 15/05;
A45F 2200/0508-0533; F21K 5/00; F21K
5/02; F21S 8/003; F21S 8/043
See application file for complete search history.

(57) **CLAIM**

The ornamental design for a led ring light with tripod stand,
as shown and described.

DESCRIPTION

FIG. 1 is a front and top perspective view of a led ring light with tripod stand, showing m new design;
FIG. 2 is a rear and bottom perspective view thereof;
FIG. 3 is a front elevation view thereof;
FIG. 4 is a rear elevation view thereof;
FIG. 5 is a left side elevation view thereof;
FIG. 6 is a right side elevation view thereof;
FIG. 7 is a top plan view thereof;
FIG. 8 is a bottom plan view thereof;
FIG. 9 is a perspective view of FIG. 1, shown in an alternative position;
FIG. 10 is an exploded view thereof;
FIG. 11 is an enlarged view of a portion indicated with numeric 11 in FIG. 1;
FIG. 12 is an enlarged view of a portion indicated with numeric 12 in FIG. 1;
FIG. 13 is an enlarged view of a portion indicated with numeric 13 in FIG. 1;
FIG. 14 is an enlarged view of a portion indicated with numeric 14 in FIG. 2;
FIG. 15 is an enlarged view of a portion indicated with numeric 15 in FIG. 2; and,
FIG. 16 is an enlarged view of a portion indicated with numeric 16 in FIG. 2.
The dashed broken lines in the figures illustrate portions of the led ring light with tripod stand that form no part of the claimed design. The dash dot dash lines in FIGS. 1, 2, 11, 12, 13 14, 15, and 16 are for the purpose of depicting the cut line of the enlarged view and form no part of the claim.

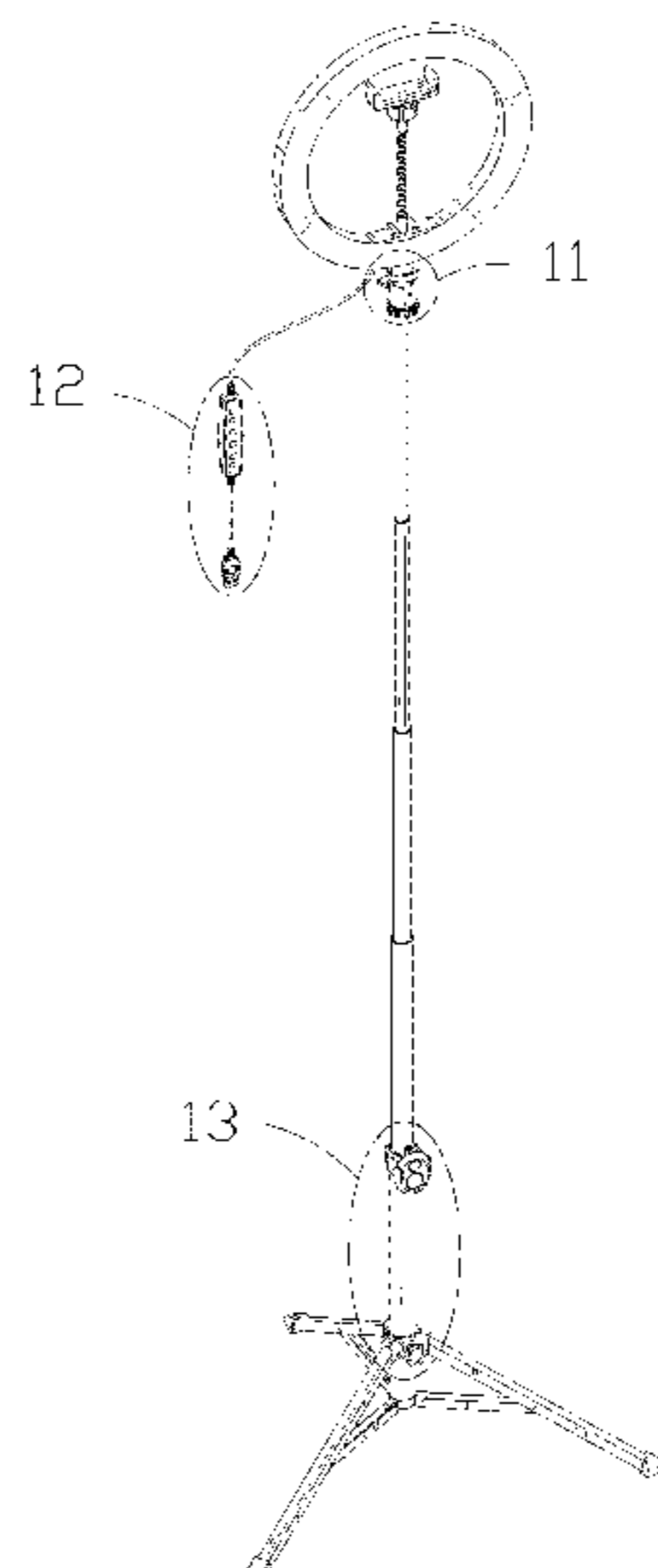
(56) **References Cited**

U.S. PATENT DOCUMENTS

D250,968 S *	1/1979	Combest	D26/152
D364,241 S *	11/1995	Jaynes	D26/106
D580,580 S *	11/2008	Lodhie	D26/67
D611,178 S *	3/2010	Waring	D26/34
D617,035 S *	6/2010	Sabernig	D26/89
D636,513 S *	4/2011	Furtsch	D26/51
D666,764 S *	9/2012	Gilad	D26/87
D712,073 S *	8/2014	Hirabayashi	D26/2
D826,023 S *	8/2018	Chun	D8/72
D827,180 S *	8/2018	Mou	D26/72

(Continued)

1 Claim, 16 Drawing Sheets



(56)

References Cited

U.S. PATENT DOCUMENTS

D829,724 S * 10/2018 Chun D14/447
D845,960 S * 4/2019 Yao D14/447
D847,800 S * 5/2019 Wengreen D14/238.1
D854,227 S * 7/2019 Yu D26/106
D855,242 S * 7/2019 Chen D26/106
D860,485 S * 9/2019 Yu D26/24
D872,348 S * 1/2020 Liu D26/106
D880,048 S 3/2020 Zhu
D895,716 S * 9/2020 Chen D16/244
D895,877 S * 9/2020 Kaiser D26/72
D901,054 S * 11/2020 Zhao D26/61
D901,749 S * 11/2020 Chen D26/106
D907,027 S * 1/2021 Halpern D14/253
D907,836 S * 1/2021 Zhou D26/106
D909,456 S * 2/2021 Xiao D16/244
D909,649 S * 2/2021 Chu D26/63
D910,220 S * 2/2021 Wang D26/63
D910,221 S * 2/2021 Wang D26/63
D916,173 S * 4/2021 Zeng D16/244
D917,604 S * 4/2021 Zeng D16/244
D920,421 S * 5/2021 Li D16/244
D922,471 S * 6/2021 Li D16/244
D924,454 S * 7/2021 Xiong D26/51
2013/0265752 A1 * 10/2013 Shimizu F21V 5/045
362/231
2016/0069548 A1 * 3/2016 Wessel F21S 9/02
362/183
2017/0118385 A1 * 4/2017 Vargas G03B 17/561
2019/0003699 A1 * 1/2019 Mondora F21V 33/004
2020/0281054 A1 * 9/2020 Li H05B 45/10
2021/0180783 A1 * 6/2021 Frydenger F21V 23/003

* cited by examiner

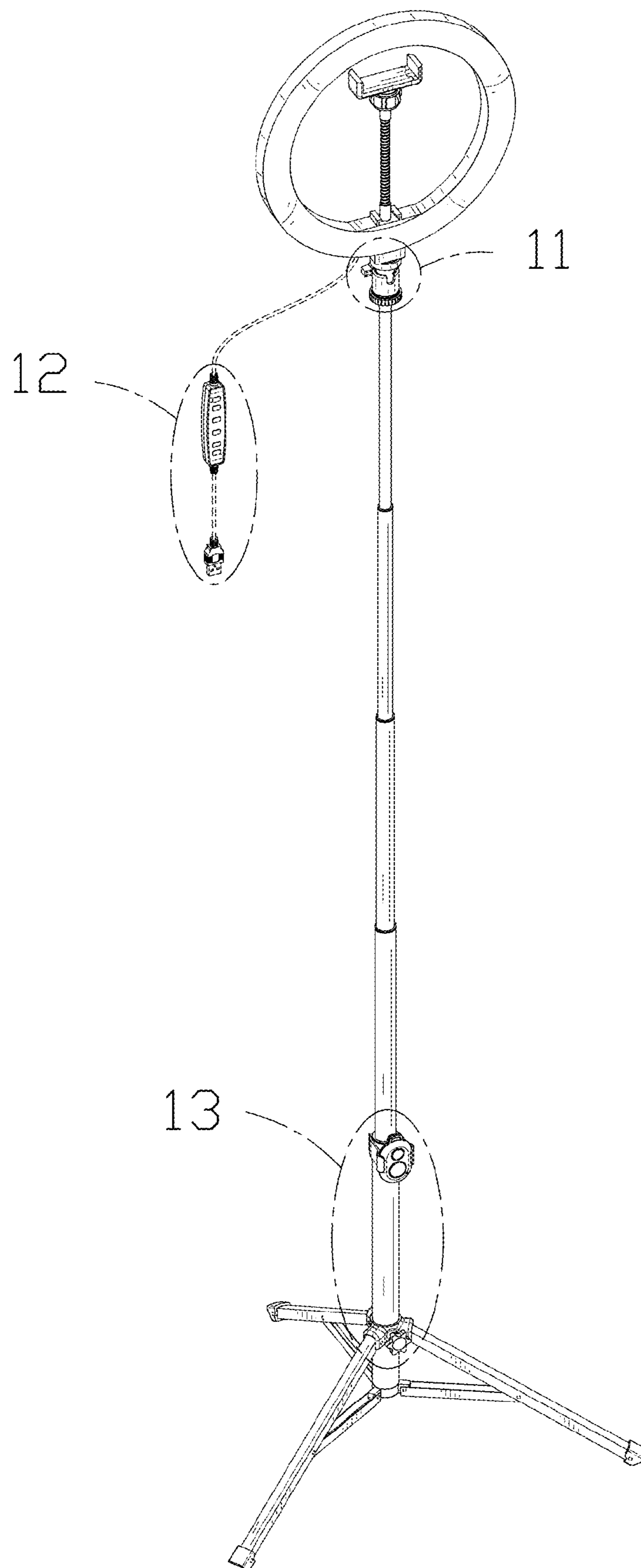


FIG. 1

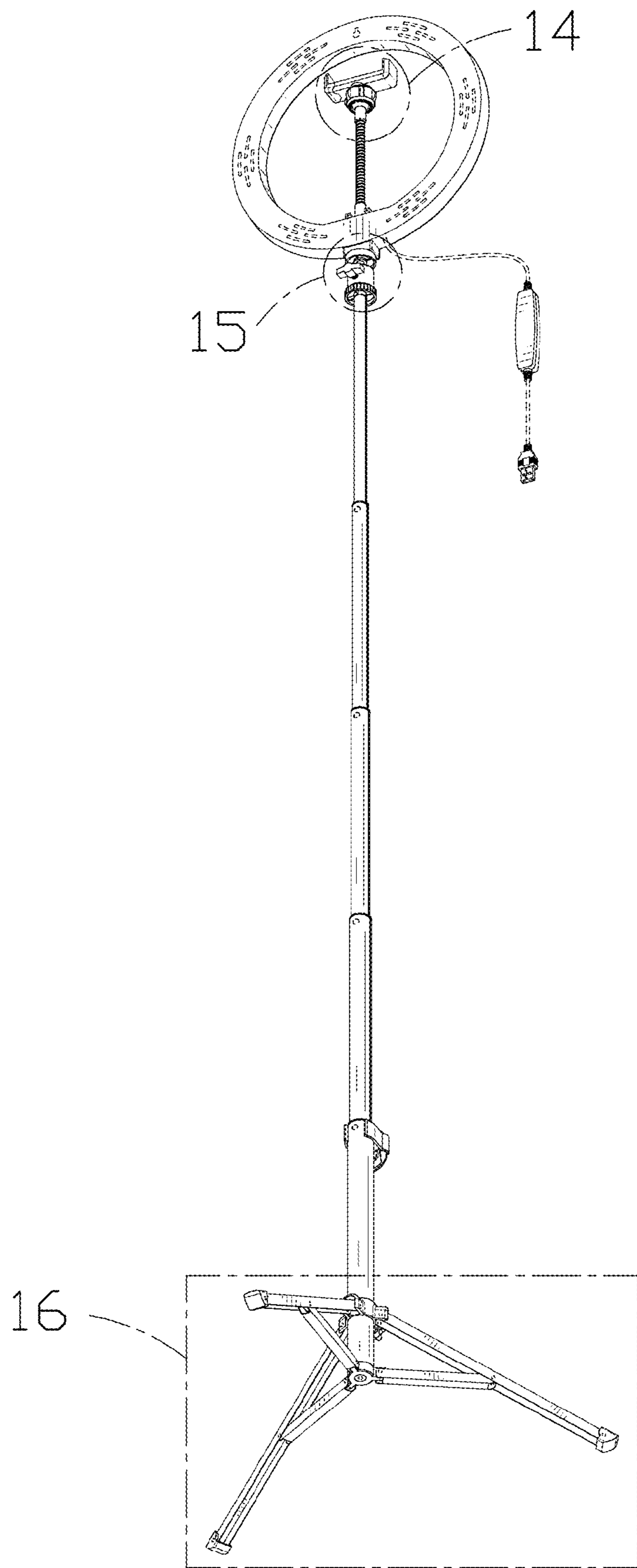


FIG. 2

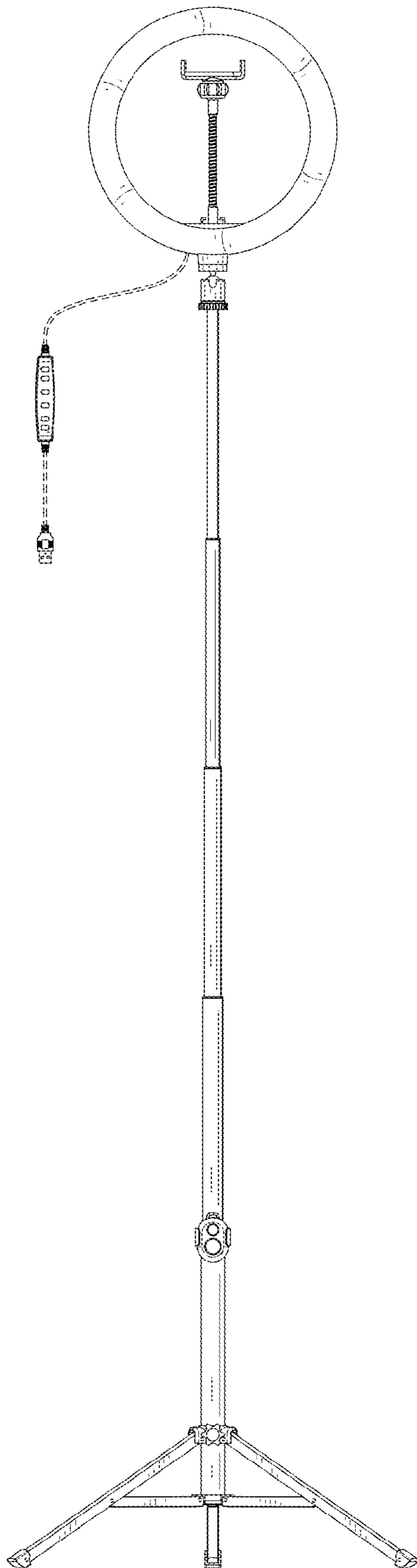


FIG. 3

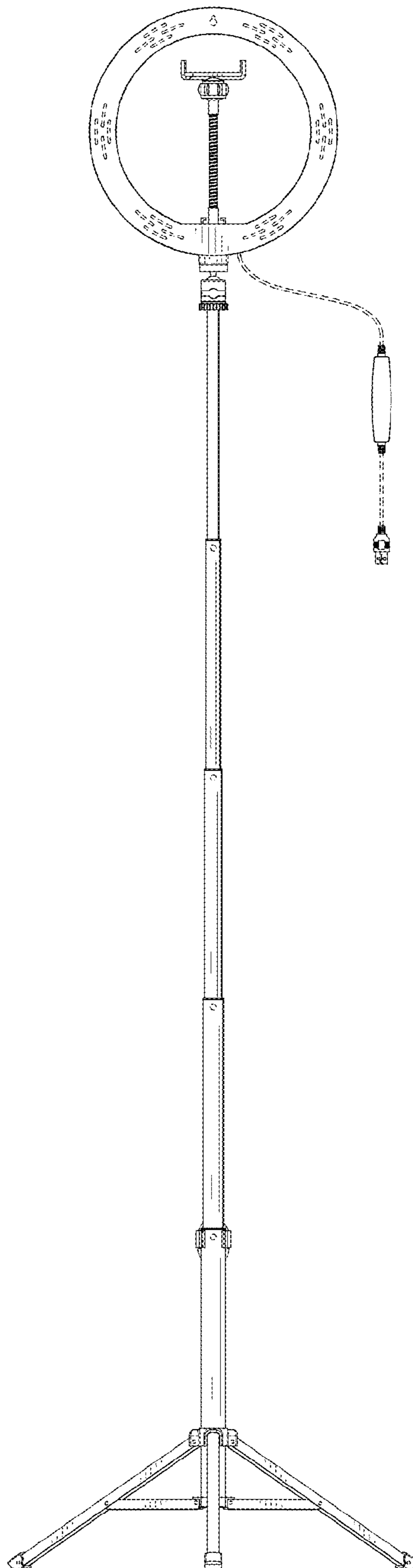


FIG. 4

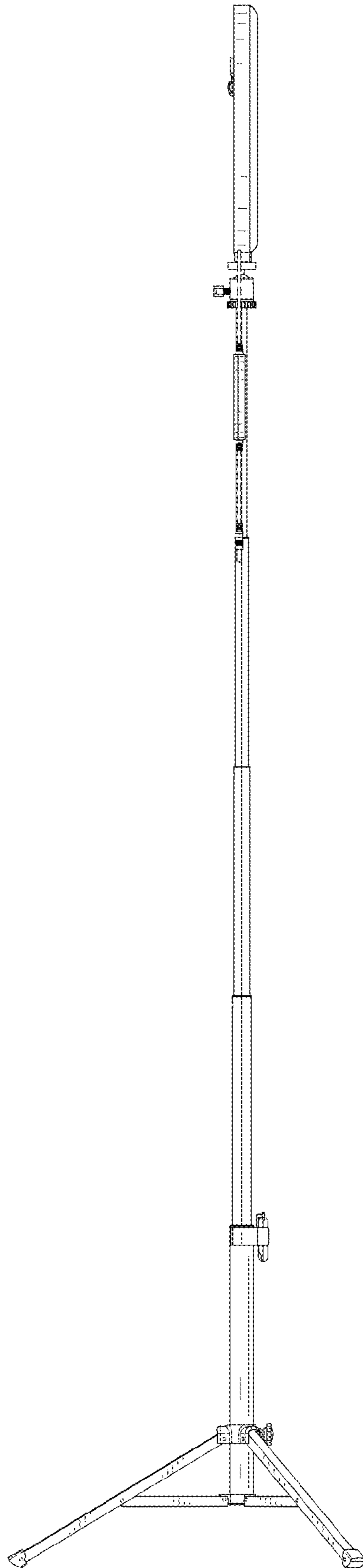


FIG. 5

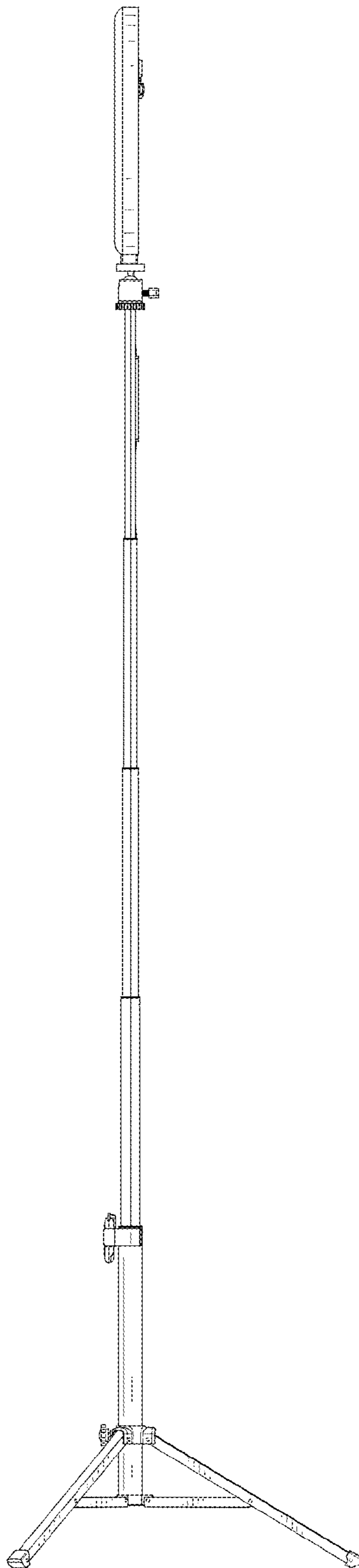


FIG. 6

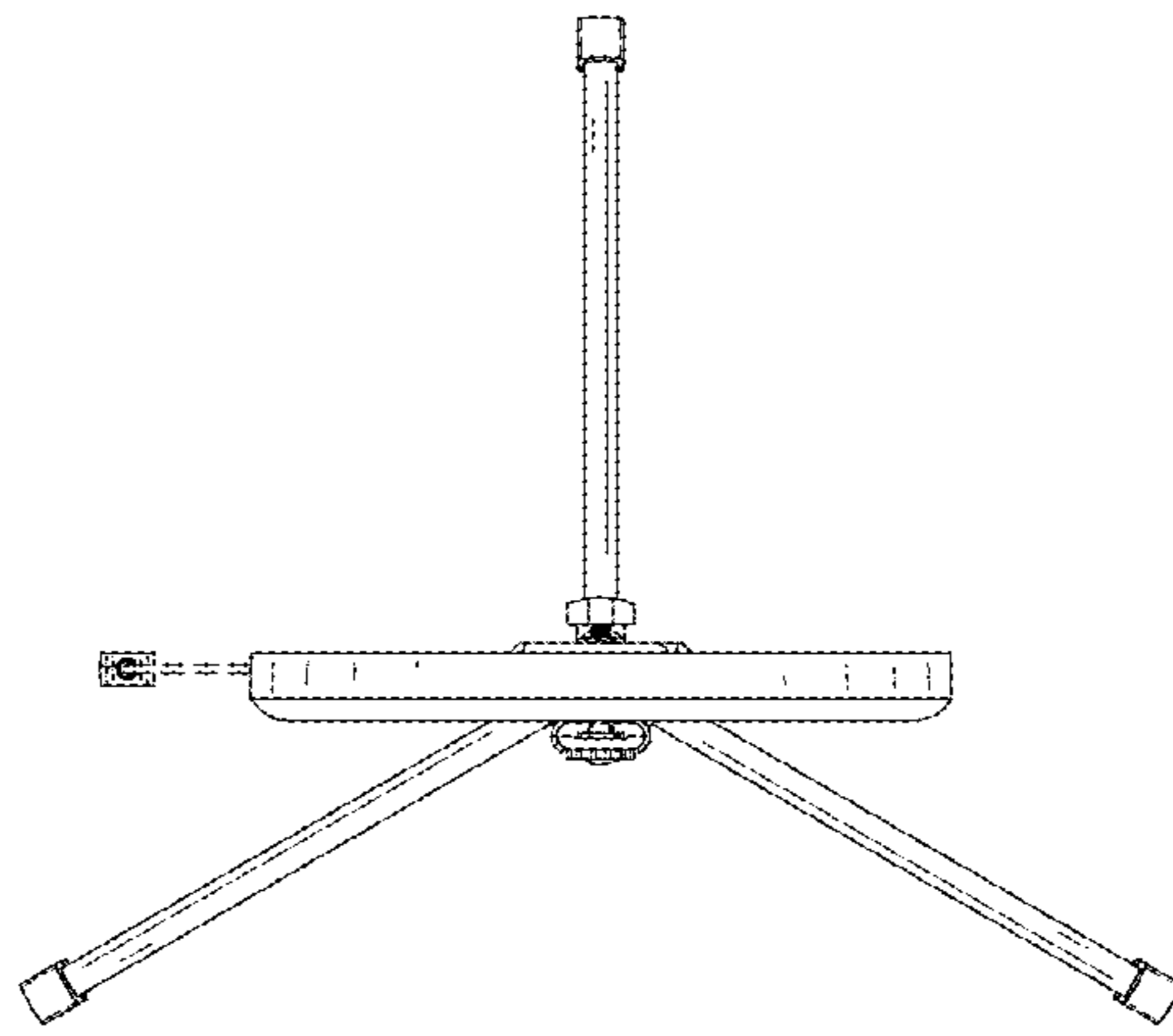


FIG. 7

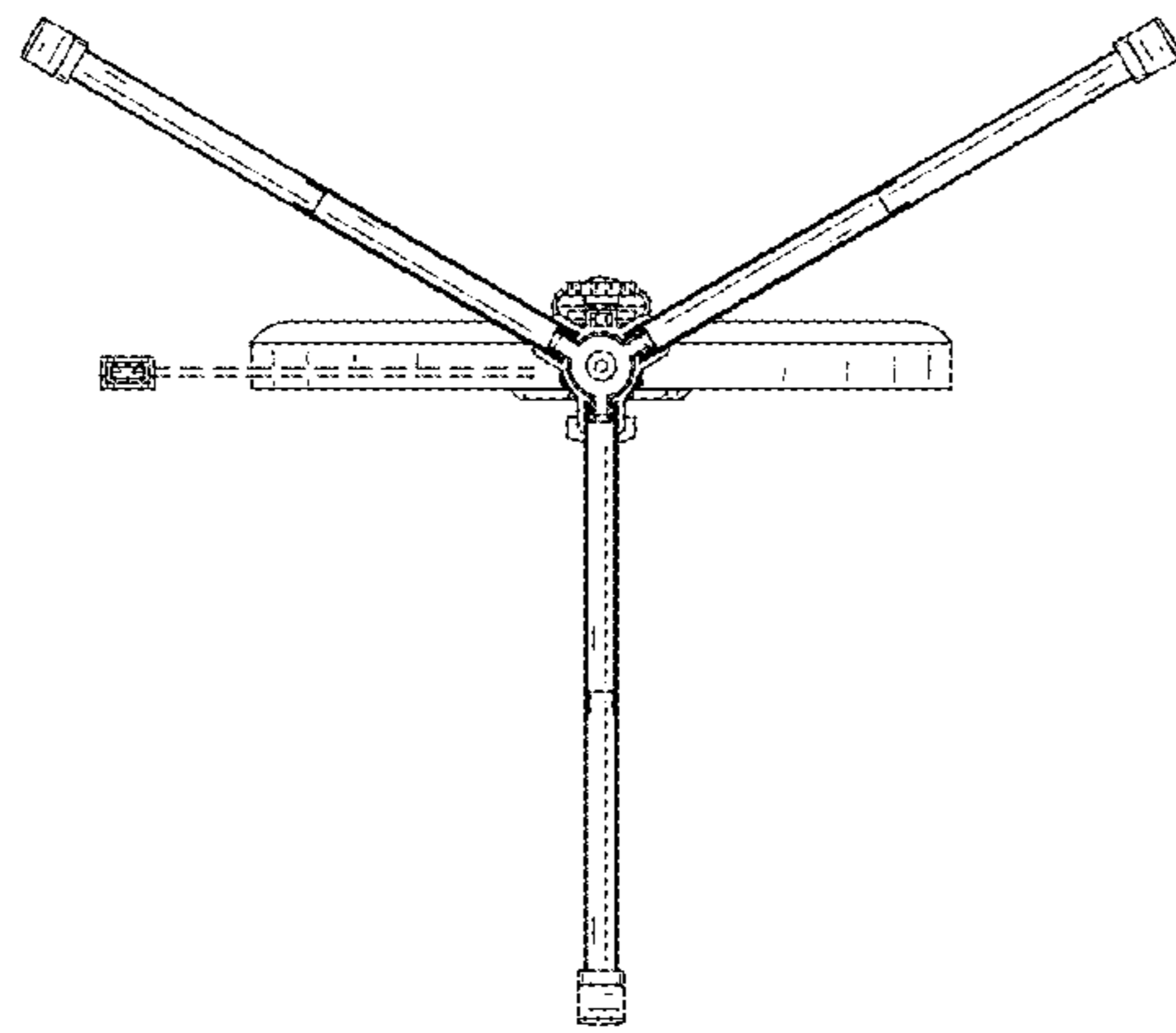


FIG. 8

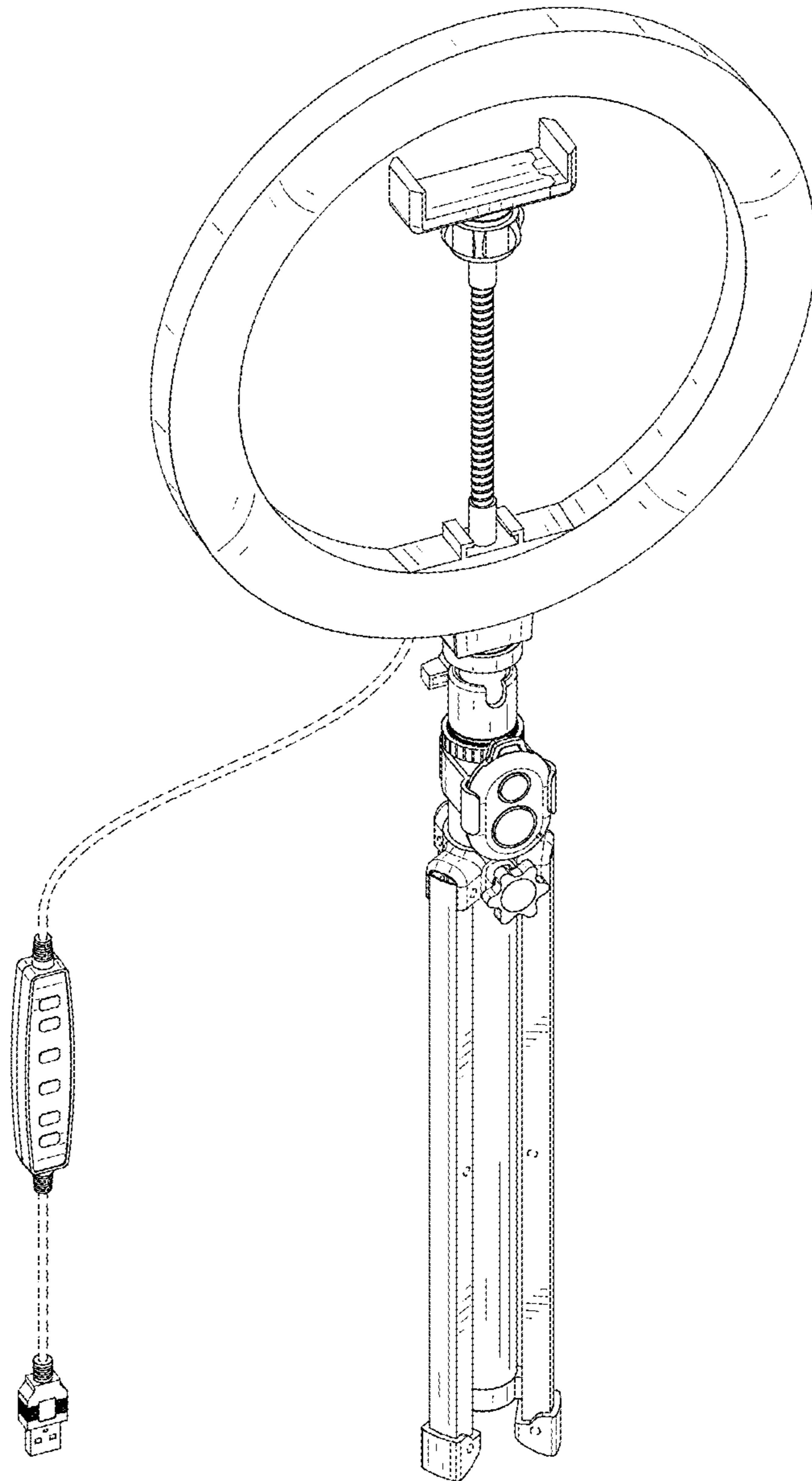


FIG. 9

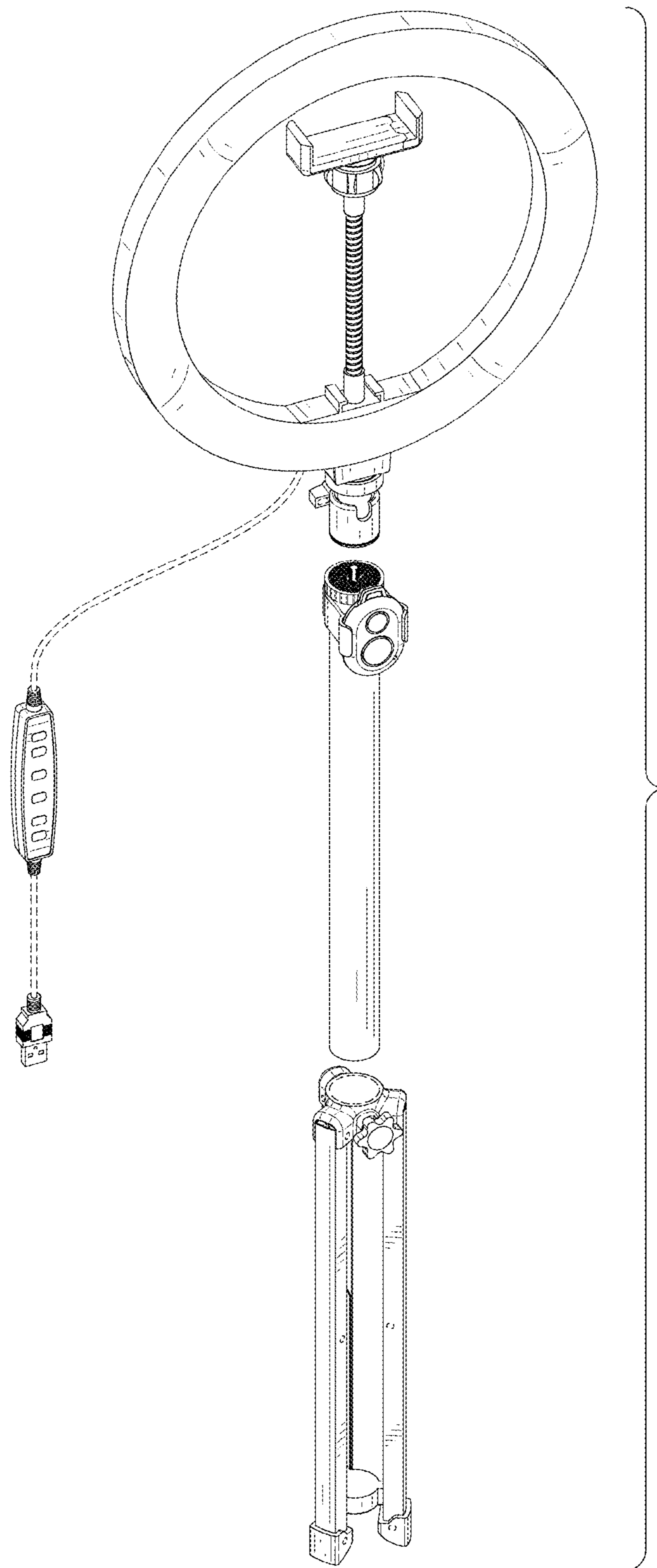


FIG. 10

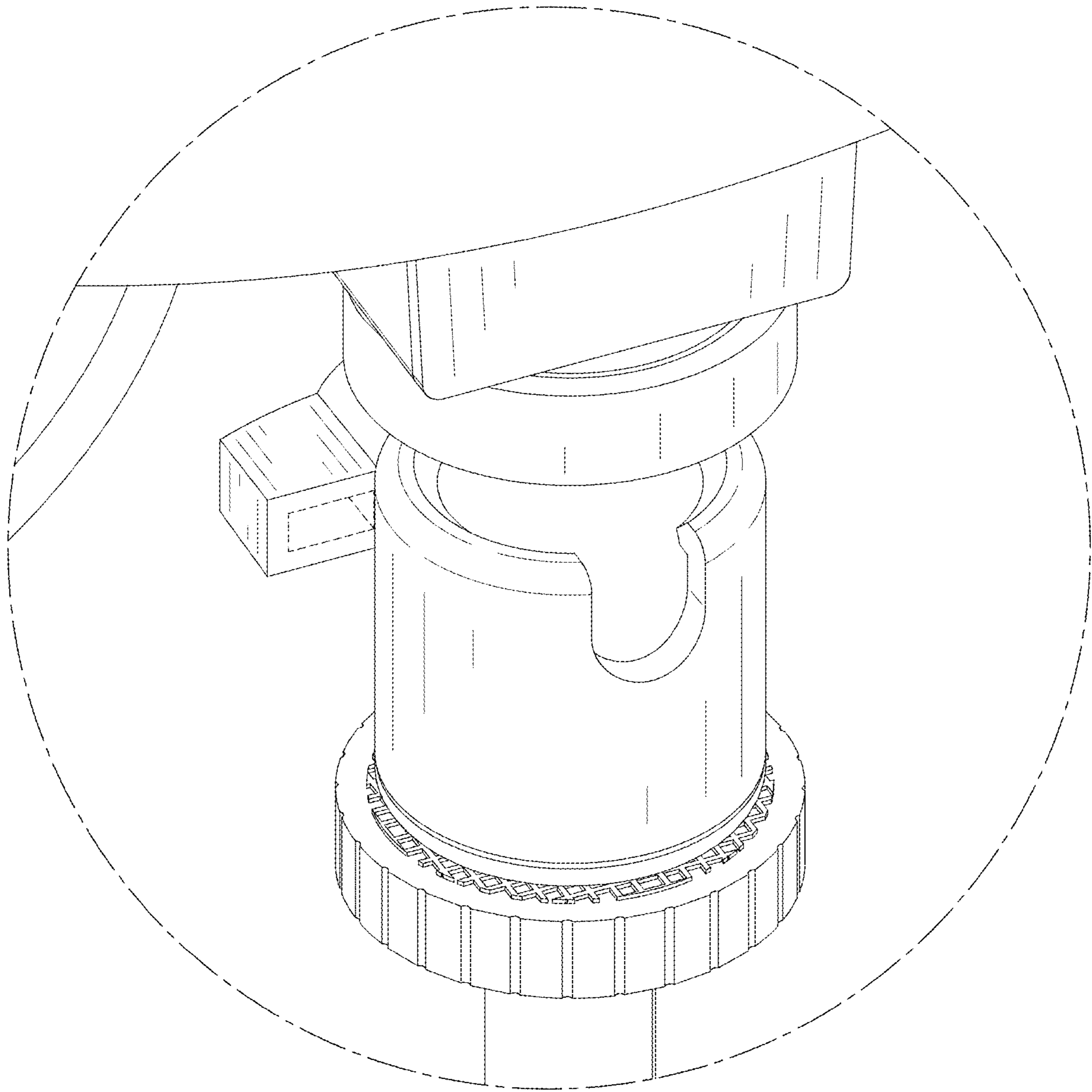


FIG. 11

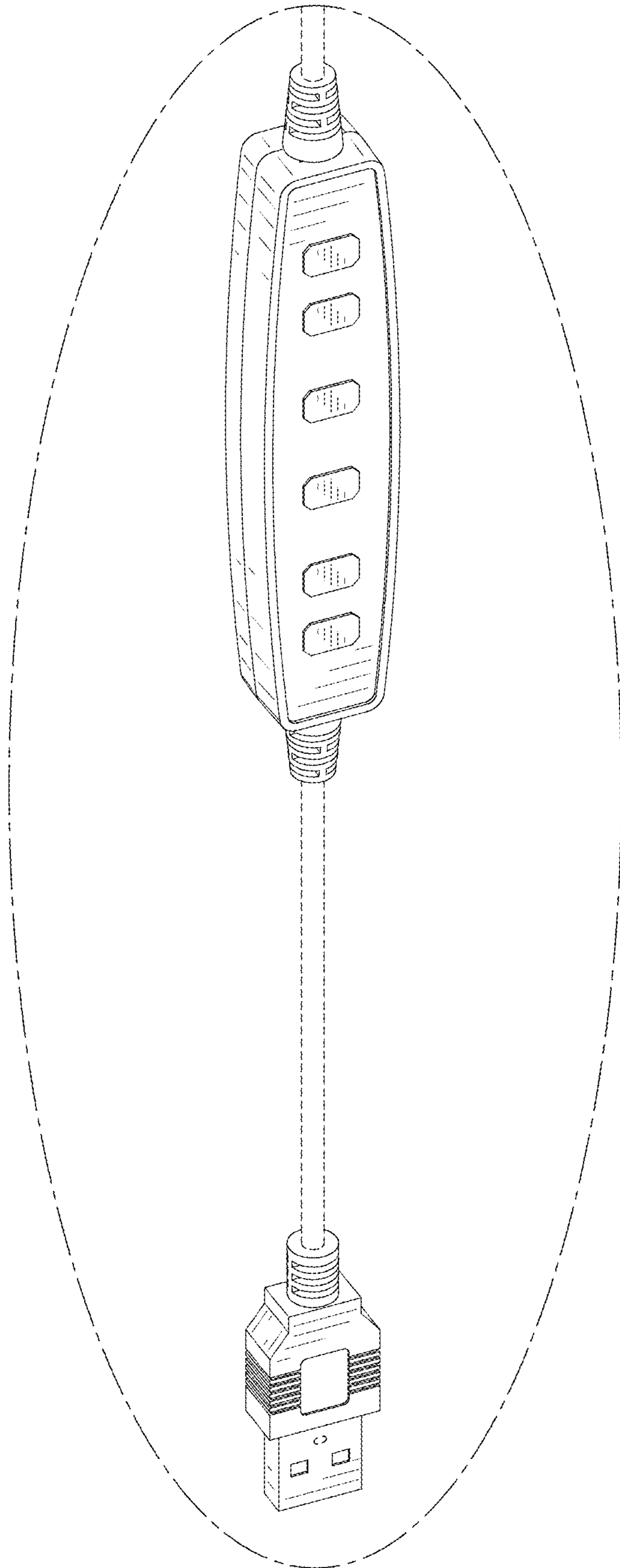


FIG. 12

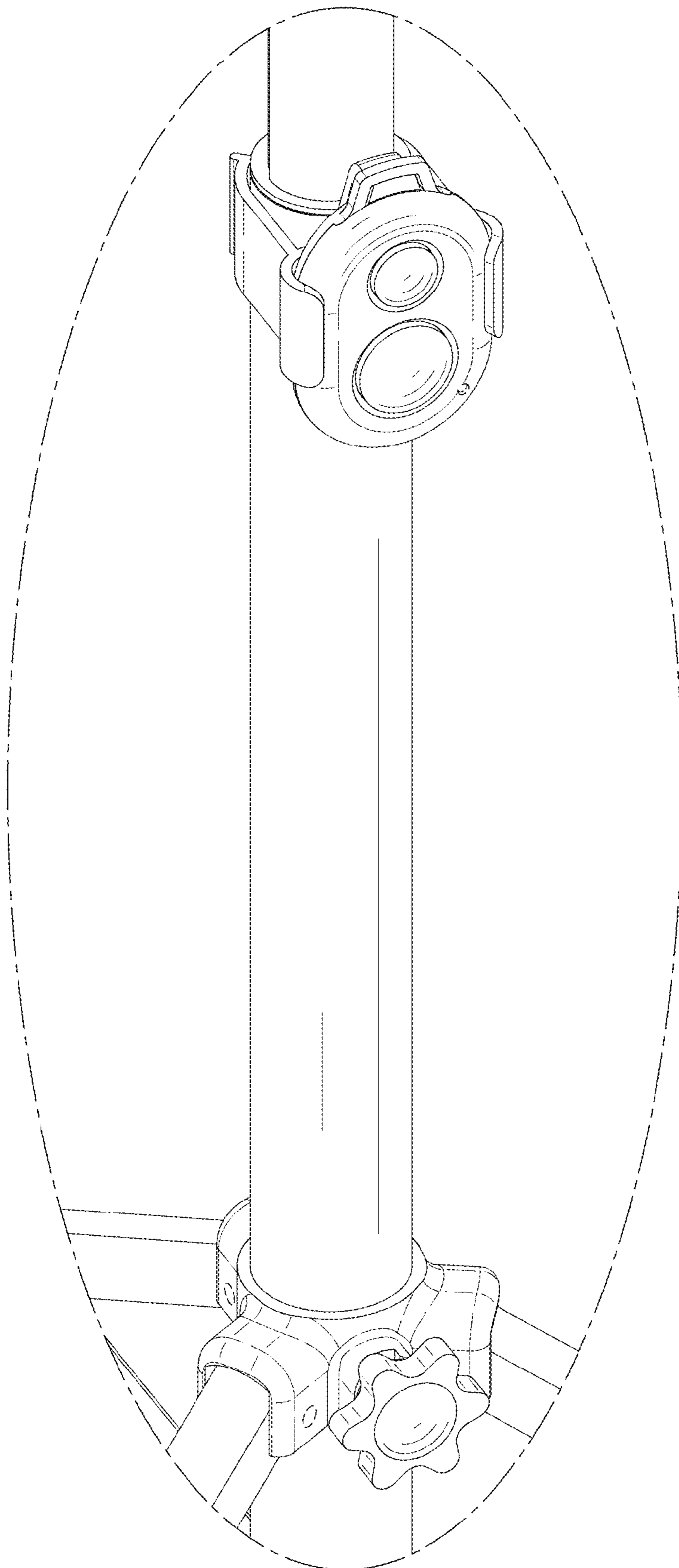


FIG. 13

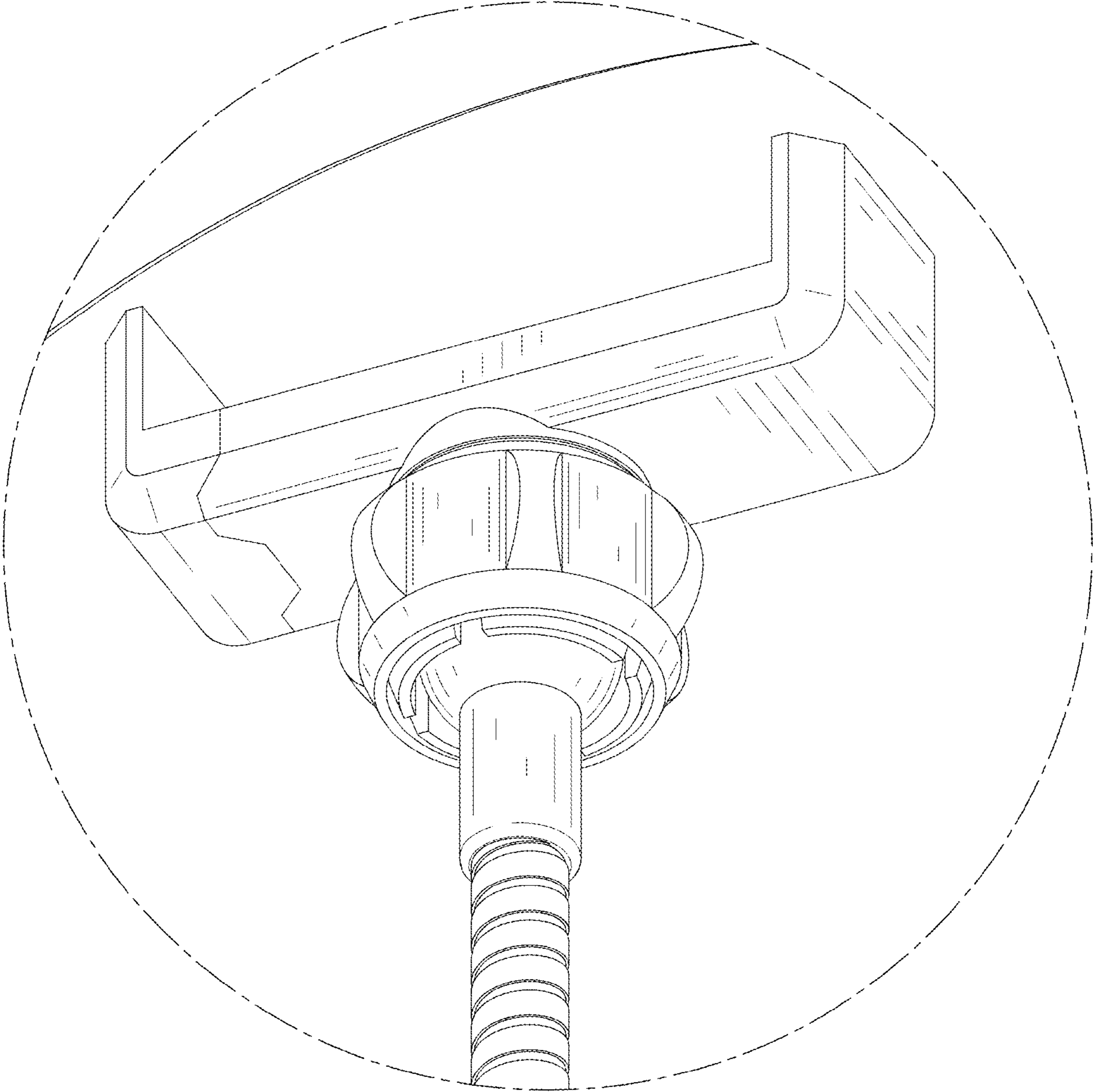


FIG. 14

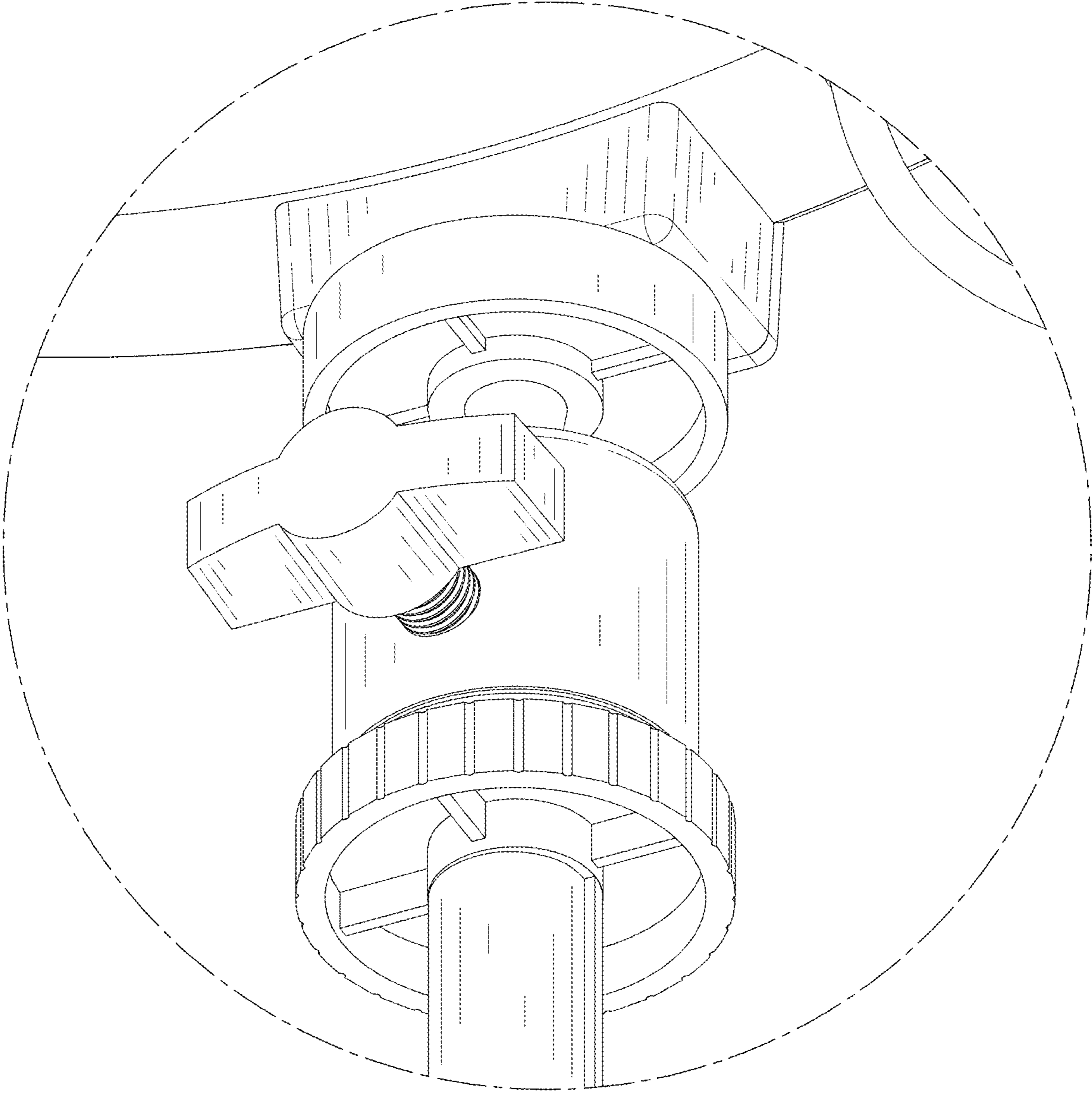


FIG. 15

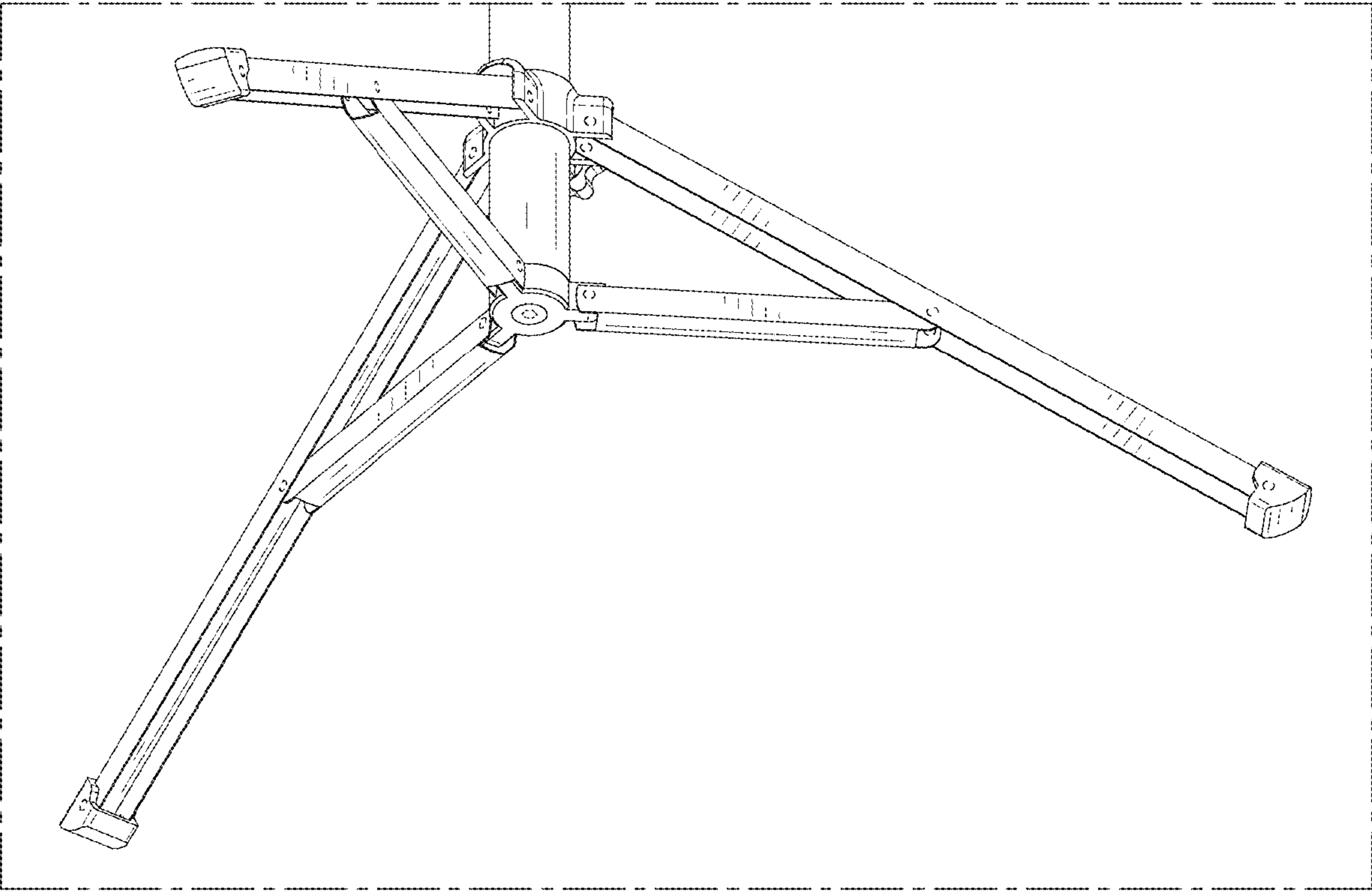


FIG. 16