



US00D930221S

(12) **United States Design Patent**
Cui

(10) **Patent No.:** **US D930,221 S**

(45) **Date of Patent:** **** Sep. 7, 2021**

(54) **SQUARE CRYSTAL FLOOR LAMP**

(71) Applicant: **Chang Lin Cui**, Mudanjiang (CN)

(72) Inventor: **Chang Lin Cui**, Mudanjiang (CN)

(**) Term: **15 Years**

(21) Appl. No.: **29/767,393**

(22) Filed: **Jan. 22, 2021**

(51) **LOC (13) Cl.** **26-05**

(52) **U.S. Cl.**
USPC **D26/93**

(58) **Field of Classification Search**
USPC D26/24, 34, 73, 93, 98, 106, 107, 108,
D26/109, 110

CPC F21S 6/00; F21S 6/002; F21S 6/003; F21S
6/004; F21S 6/005; F21S 6/006; F21S
12/00; F21S 12/12; F21V 21/02; F21V
21/04; F21V 21/06; F21V 1/00; F21V
1/02; F21V 3/00; F21V 3/02; F21W
2131/30; F21W 2131/3005

See application file for complete search history.

(56) **References Cited**

U.S. PATENT DOCUMENTS

D424,734 S * 5/2000 Gager D20/41
D589,206 S * 3/2009 Sabernig D26/110
D590,091 S * 4/2009 Starck D26/93
D590,093 S * 4/2009 Starck D26/93
D614,798 S * 4/2010 Sabernig D26/110

D614,799 S * 4/2010 Sabernig D26/110
8,454,206 B2 * 6/2013 Chang F21V 5/008
362/339
8,931,192 B2 * 1/2015 Acworth F21V 1/00
40/554
D788,972 S 6/2017 Araiza
D859,578 S * 9/2019 Denmark D22/136
D872,347 S * 1/2020 Probyn D26/106
D875,995 S 2/2020 Wang
D878,664 S * 3/2020 De Majo D26/93
D879,360 S * 3/2020 Zeng D26/110
D888,321 S * 6/2020 Smrstick D26/93

* cited by examiner

Primary Examiner — Wan Laymon
Assistant Examiner — Clint A Samuel

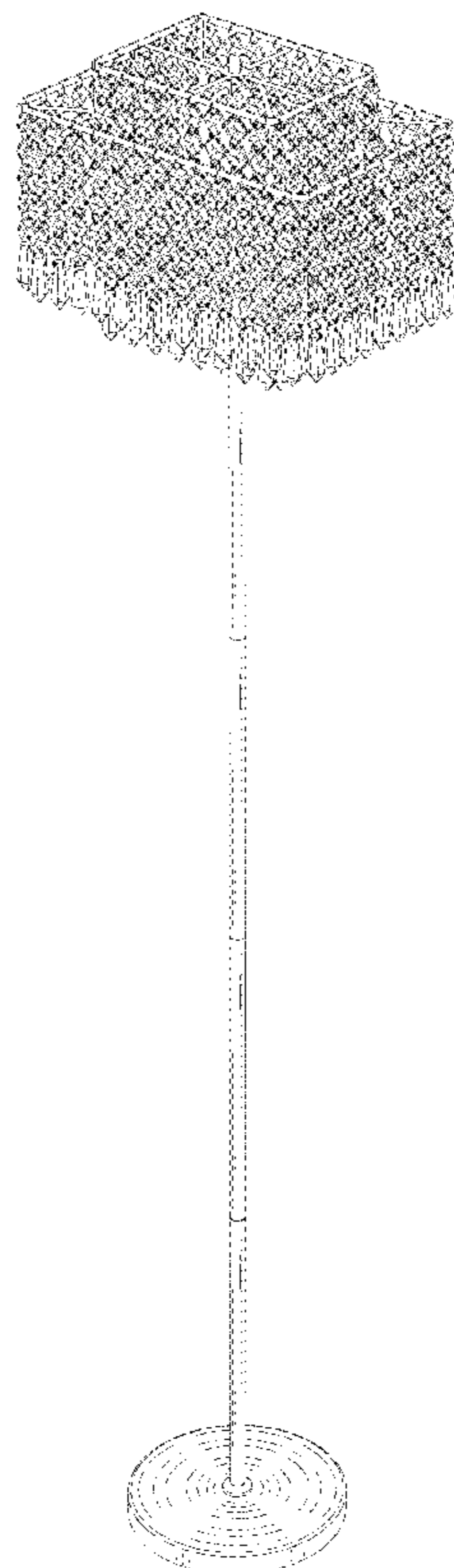
(57) **CLAIM**

The ornamental design for a square crystal floor lamp, as shown and described.

DESCRIPTION

FIG. 1 is a perspective view of a square crystal floor lamp showing my new design;
FIG. 2 is a front elevational view thereof;
FIG. 3 is a rear elevational view thereof;
FIG. 4 is a left side elevational view thereof;
FIG. 5 is a right side elevational view thereof;
FIG. 6 is a top plan view thereof; and,
FIG. 7 is a bottom plan view thereof.

1 Claim, 7 Drawing Sheets



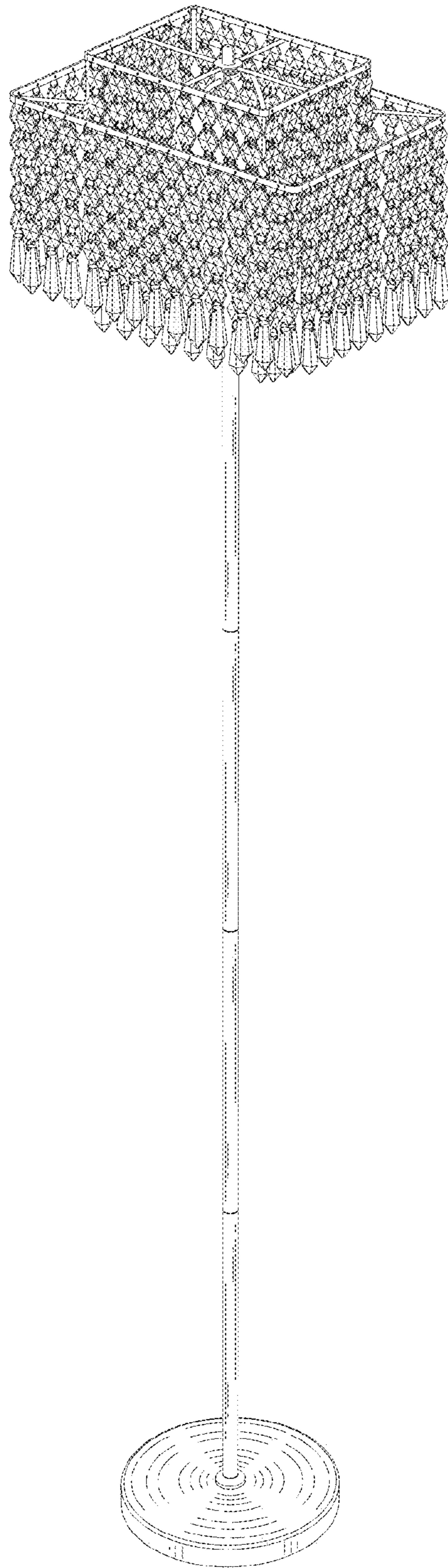


FIG. 1

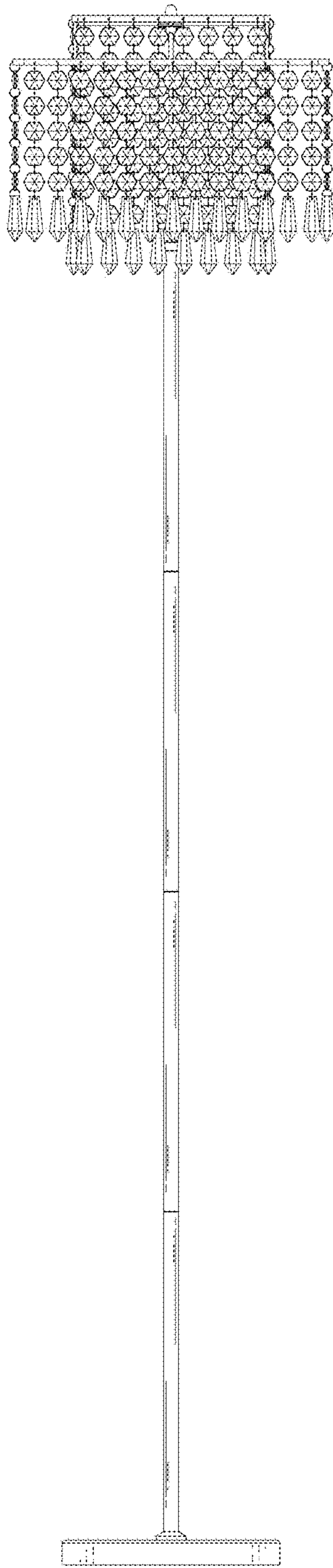


FIG. 2

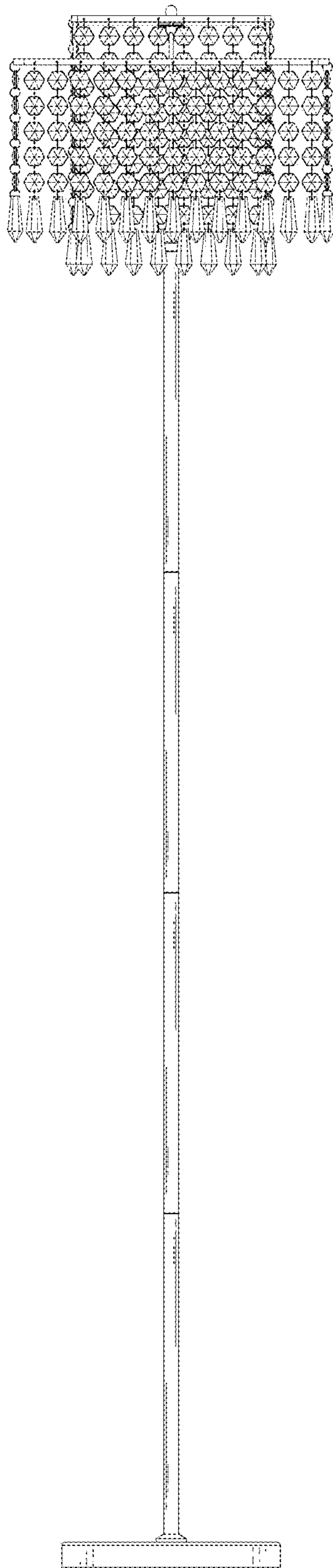


FIG. 3

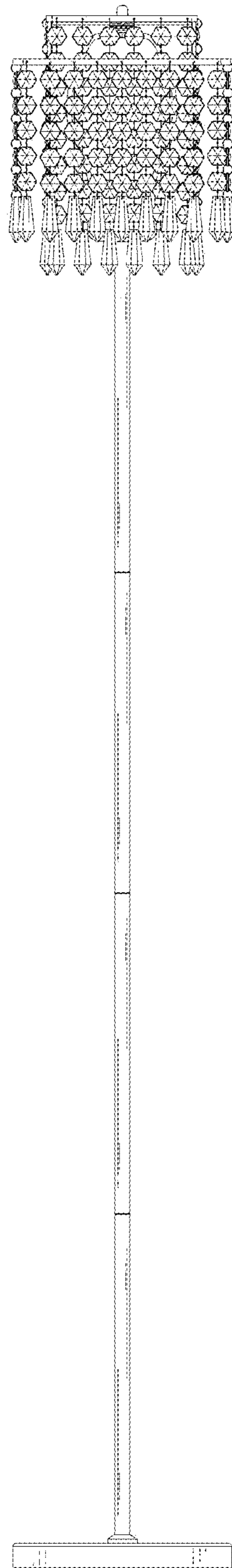


FIG. 4

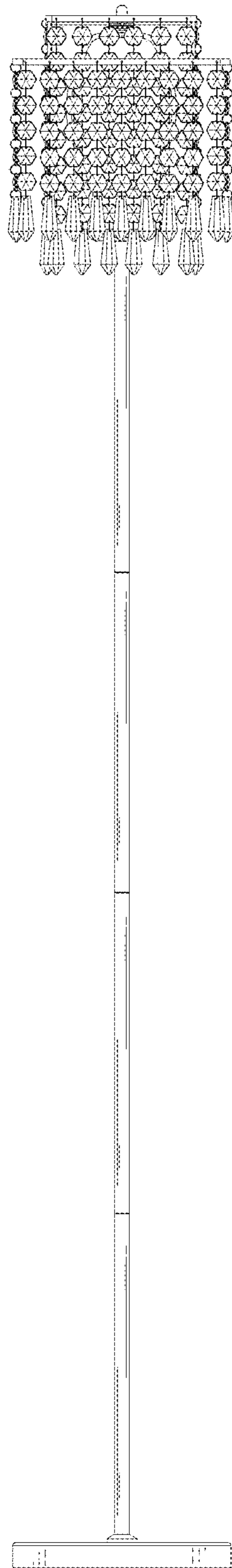


FIG. 5

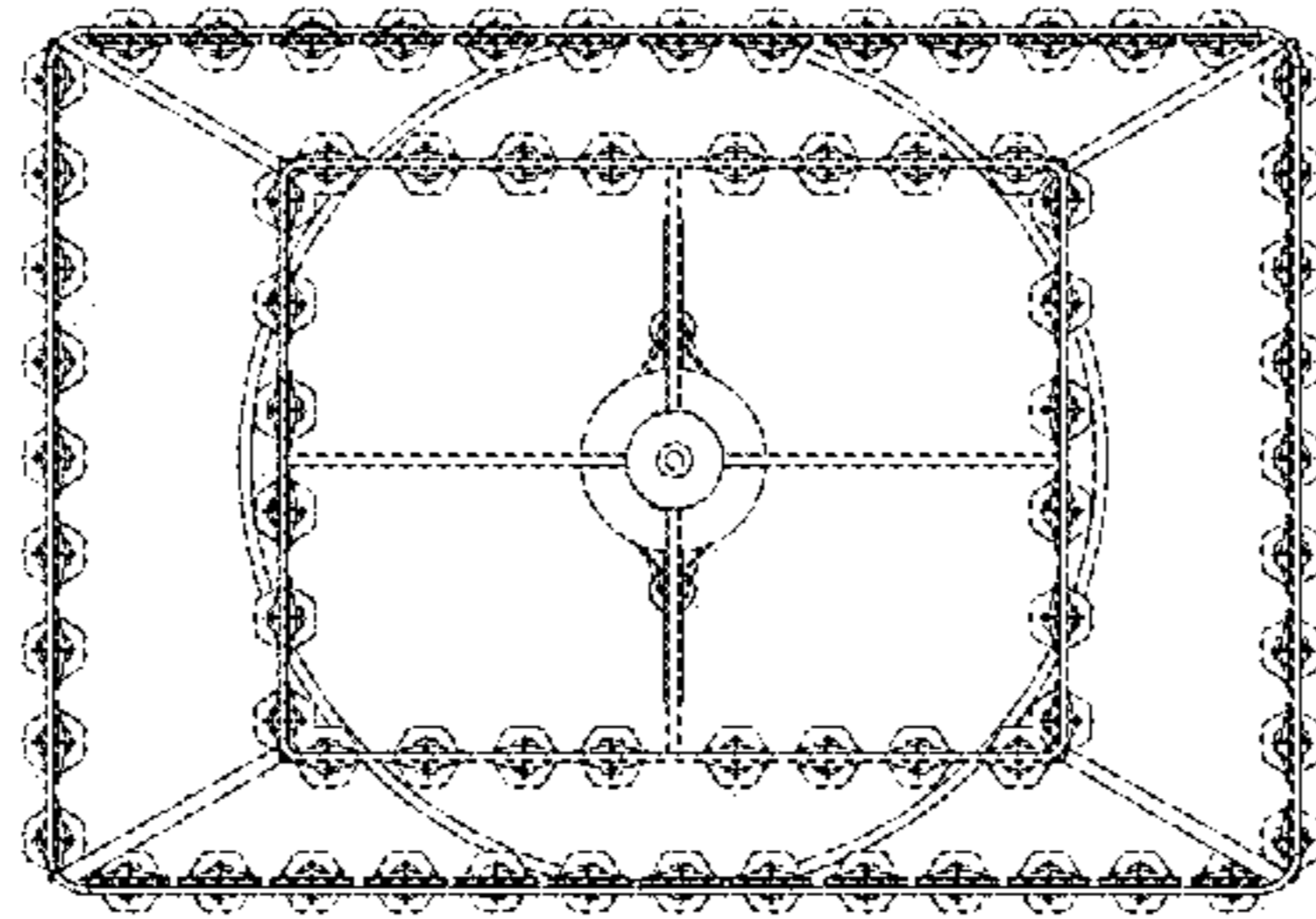


FIG. 6



FIG. 7