



US00D930219S

(12) **United States Design Patent** (10) **Patent No.:** **US D930,219 S**
Shalvi (45) **Date of Patent:** **** *Sep. 7, 2021**

(54) **LIGHT FIXTURE**

(71) Applicant: **Ram Shalvi**, Closter, NJ (US)

(72) Inventor: **Ram Shalvi**, Closter, NJ (US)

(73) Assignee: **OLYMPIA LIGHTING, INC.**,
Northvale, NJ (US)

(*) Notice: This patent is subject to a terminal disclaimer.

(**) Term: **15 Years**

(21) Appl. No.: **29/604,265**

(22) Filed: **May 16, 2017**

(51) **LOC (13) Cl.** **26-03**

(52) **U.S. Cl.**
USPC **D26/92**

(58) **Field of Classification Search**
USPC D26/71, 72, 80, 88, 91, 92
CPC F21S 8/03; F21S 8/04; F21S 8/043; F21S
8/06; F21S 8/061; F21S 8/063; F21V
21/008; F21V 21/02; F21V 29/2212;
F21V 29/767; F21V 29/77; F21V 29/777;
F21V 29/78

See application file for complete search history.

(56) **References Cited**

U.S. PATENT DOCUMENTS

D92,618 S *	6/1934	Leinen	D26/88
3,705,303 A *	12/1972	Willis, Jr.	F21S 8/06 362/308
D302,047 S *	7/1989	Flannery	D26/71
D358,226 S *	5/1995	Osteen	D26/71
D418,620 S *	1/2000	Grossman	D26/71
D424,228 S *	5/2000	Grossman	D26/71
D591,890 S *	5/2009	Gill	D26/71
7,547,122 B1 *	6/2009	Serra	F21S 8/033 362/147

D629,552 S *	12/2010	Zhang	D26/71
D642,316 S *	7/2011	Zheng	D26/2
D707,382 S *	6/2014	Ni	D26/72
D748,840 S *	2/2016	Lee	D26/2
9,423,110 B1 *	8/2016	Newton	F21S 8/00
D784,597 S *	4/2017	Wilson	D26/88
D802,197 S *	11/2017	Ding	D26/72
D906,578 S *	12/2020	Smith	D26/92
10,969,092 B1 *	4/2021	Zhang	F21V 7/00
2008/0212325 A1 *	9/2008	Wang	F21V 29/004 362/294
2010/0208461 A1 *	8/2010	Xiang	F21S 8/06 362/249.02
2011/0002124 A1 *	1/2011	Chang	F21V 19/001 362/294
2011/0110096 A1 *	5/2011	Hong	F21V 7/0008 362/294
2014/0078756 A1 *	3/2014	Tuttle	F21V 1/146 362/382

(Continued)

Primary Examiner — Clare E Heflin

(74) *Attorney, Agent, or Firm* — Law Offices of Albert
Wai-Kit Chan, PLLC; Robert D. Katz, Esq.

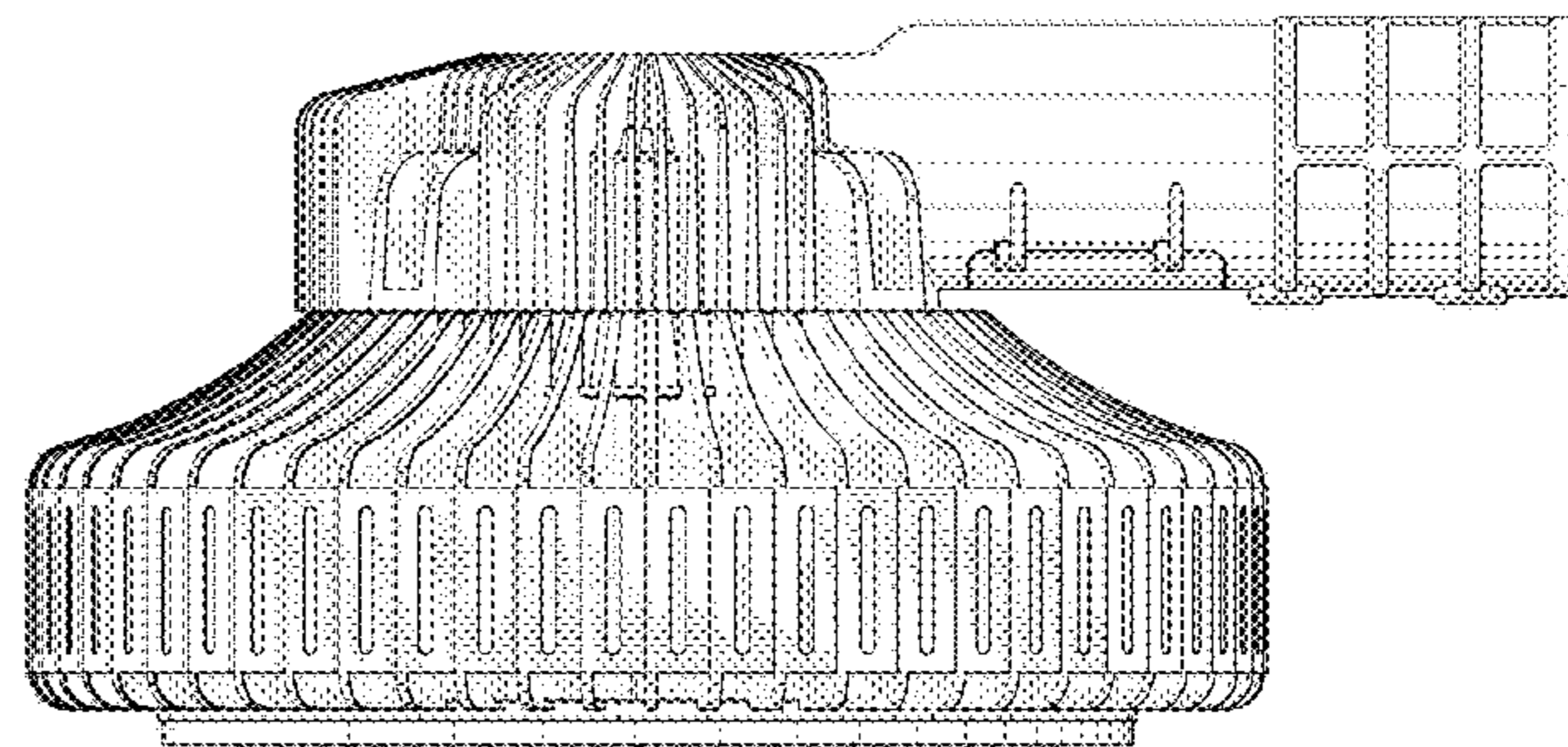
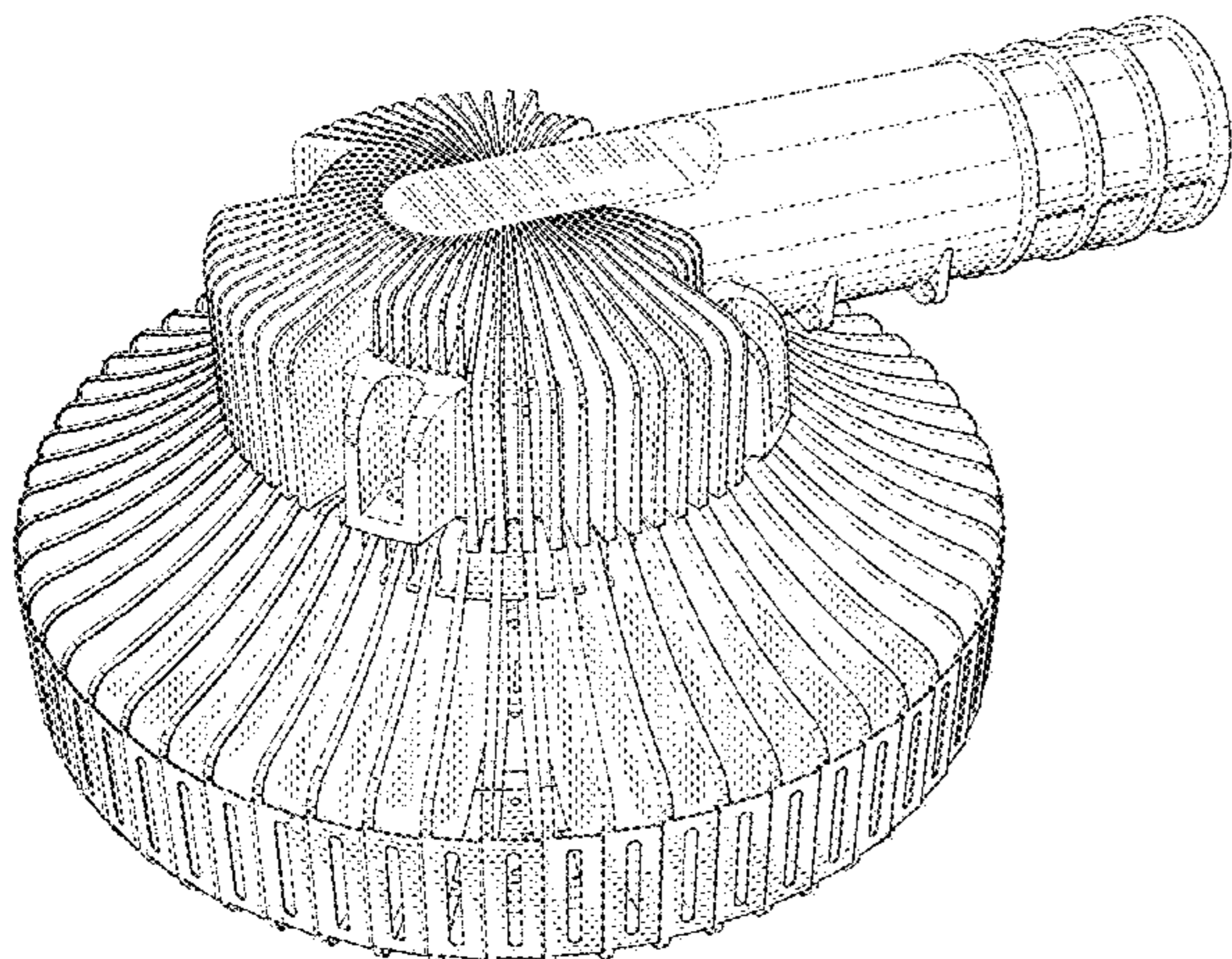
(57) **CLAIM**

The ornamental design for a light fixture, as shown and described.

DESCRIPTION

FIG. 1 is a front, right perspective view of a light fixture showing my new design;
FIG. 2 is a front elevation view thereof;
FIG. 3 is a rear elevation view thereof;
FIG. 4 is a right side elevation view thereof;
FIG. 5 is a left side elevation view thereof;
FIG. 6 is a top plan view thereof; and,
FIG. 7 is a bottom plan view thereof.
The dashed lines illustrate the environment and do not form a part of the ornamental design disclosed and claimed herein.

1 Claim, 7 Drawing Sheets



(56)

References Cited

U.S. PATENT DOCUMENTS

2014/0199168 A1* 7/2014 Spiro F04D 29/582
416/5
2016/0290603 A1* 10/2016 Morello F21V 13/02
2019/0145652 A1* 5/2019 Sinur F21V 33/0096
454/294
2020/0037560 A1* 2/2020 Spiro F21V 15/01

* cited by examiner

FIG. 1

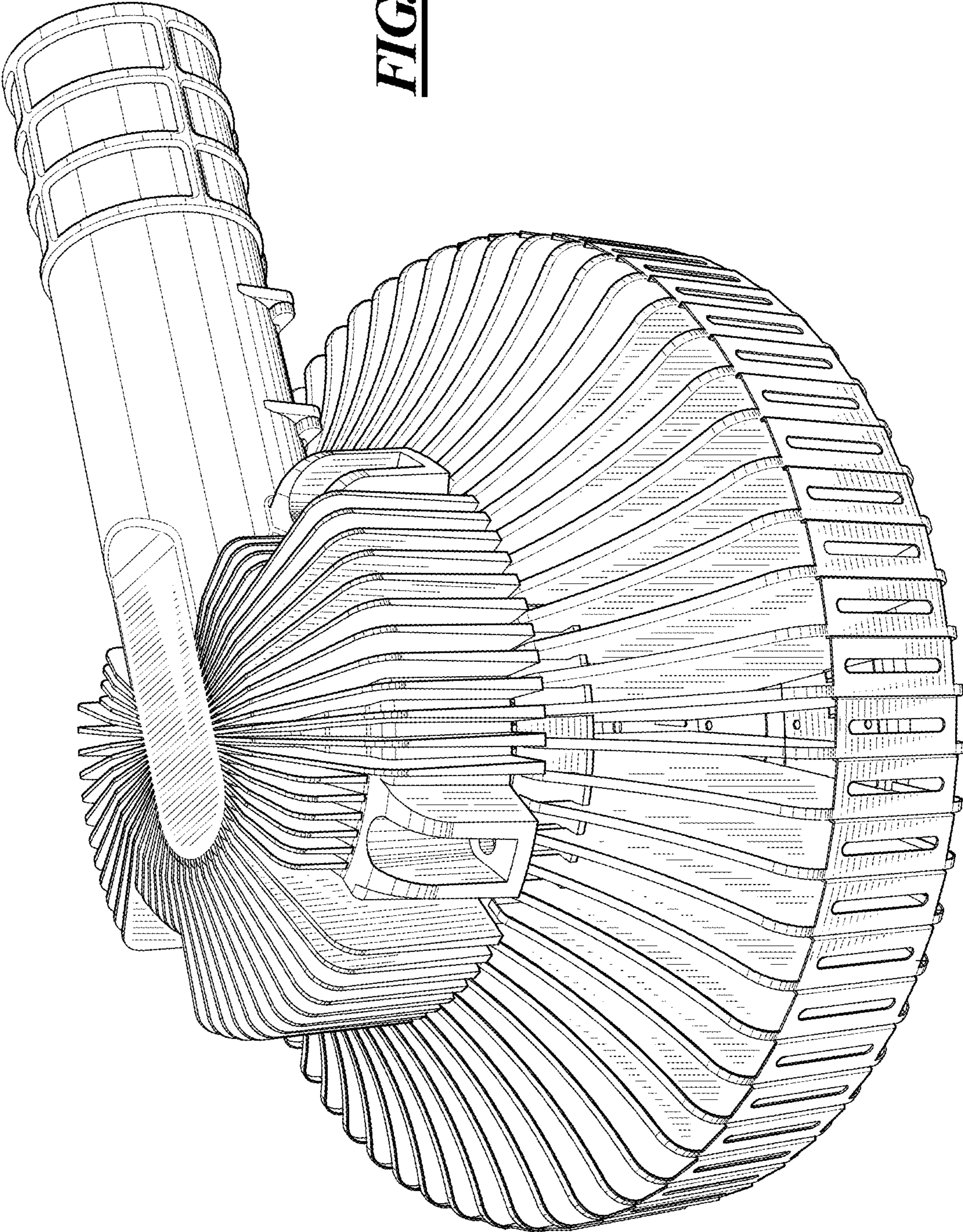


FIG. 2

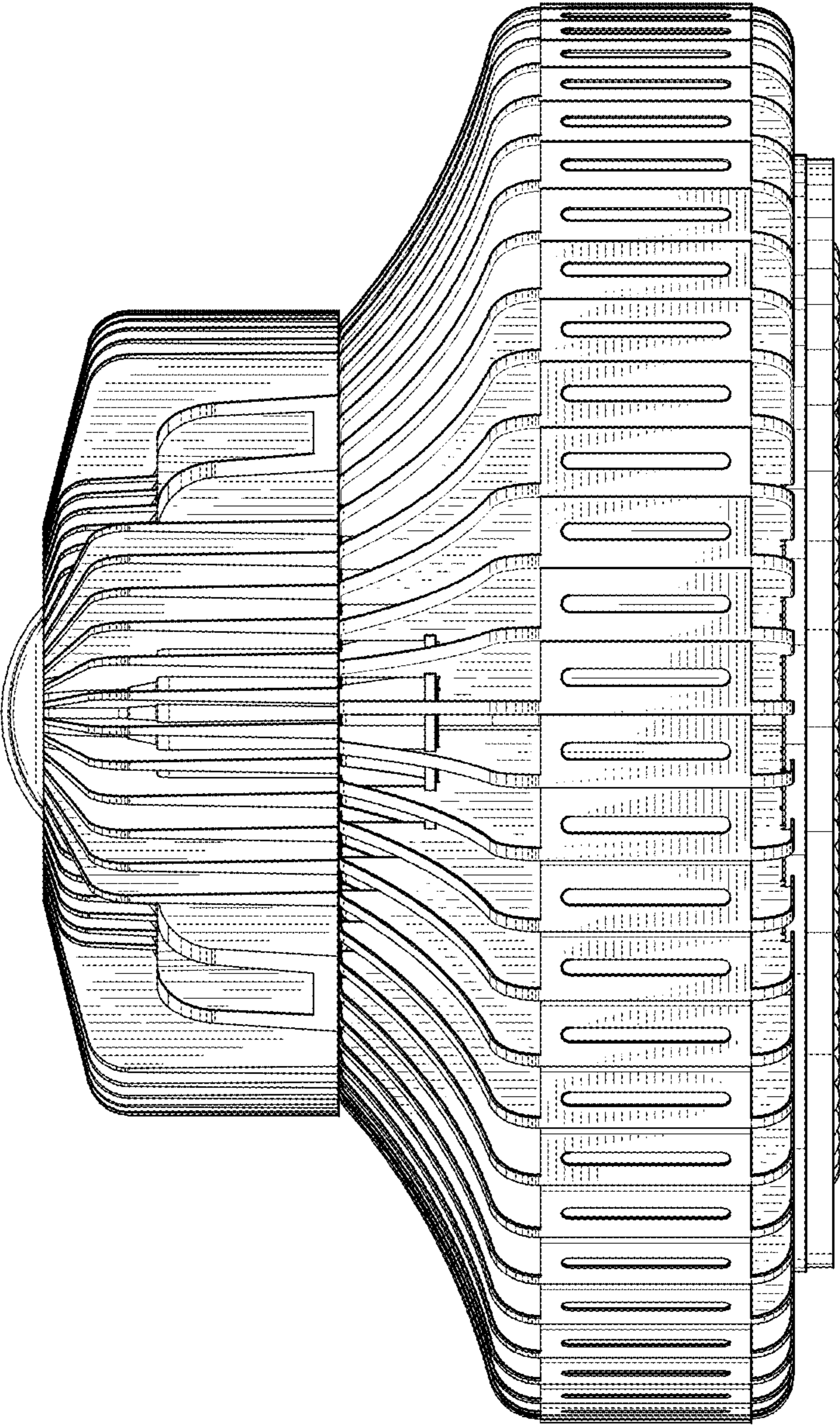


FIG. 3

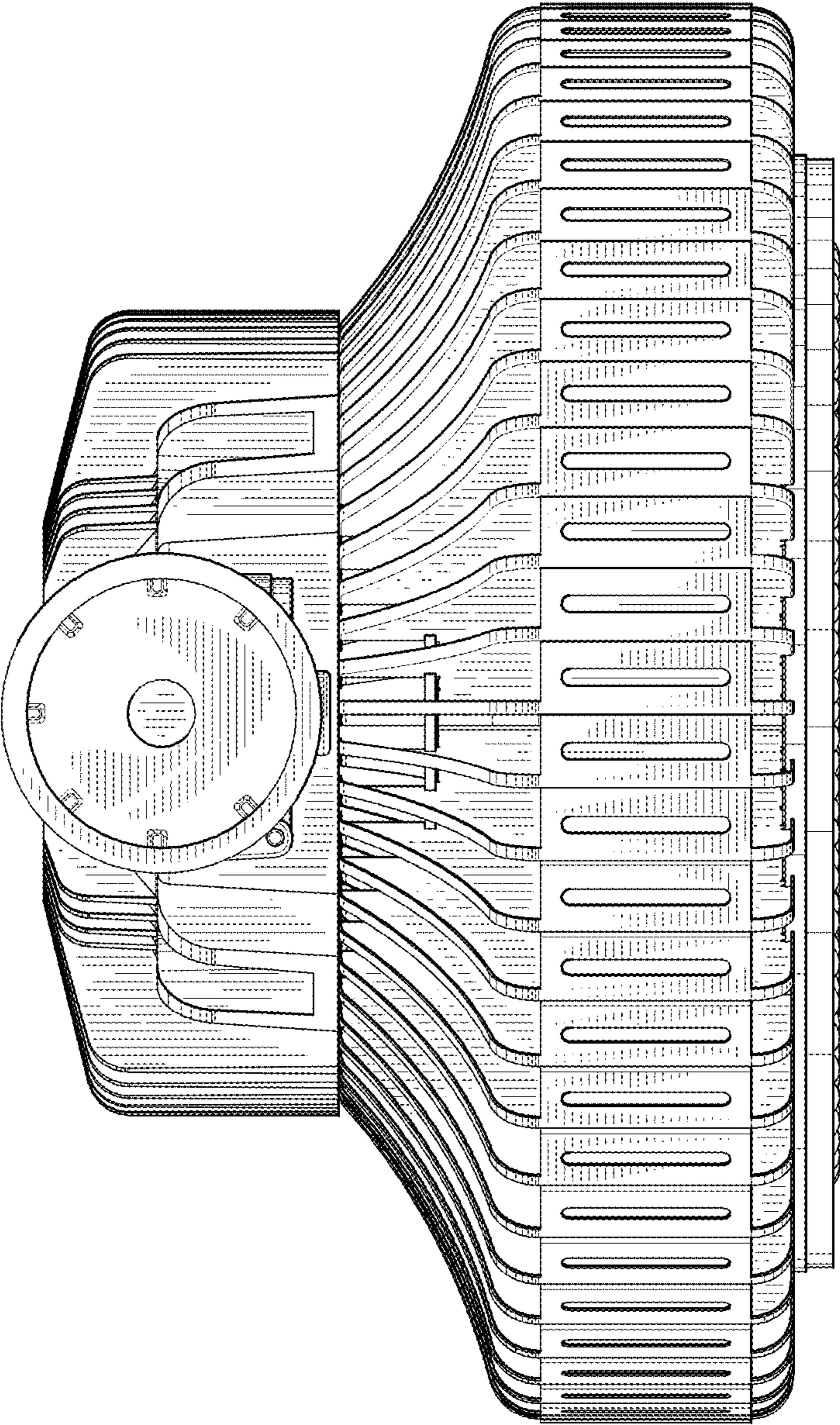


FIG. 4

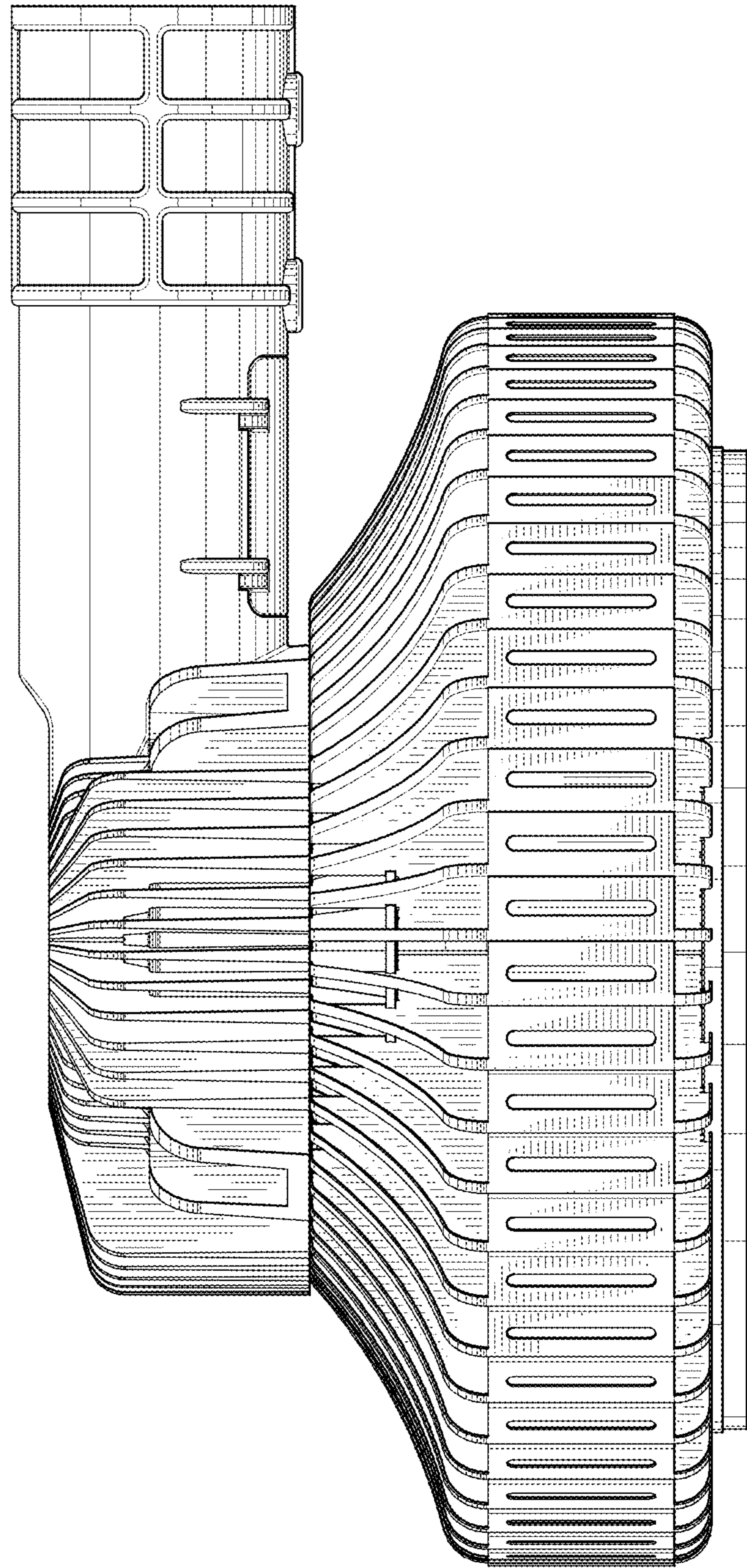


FIG. 5

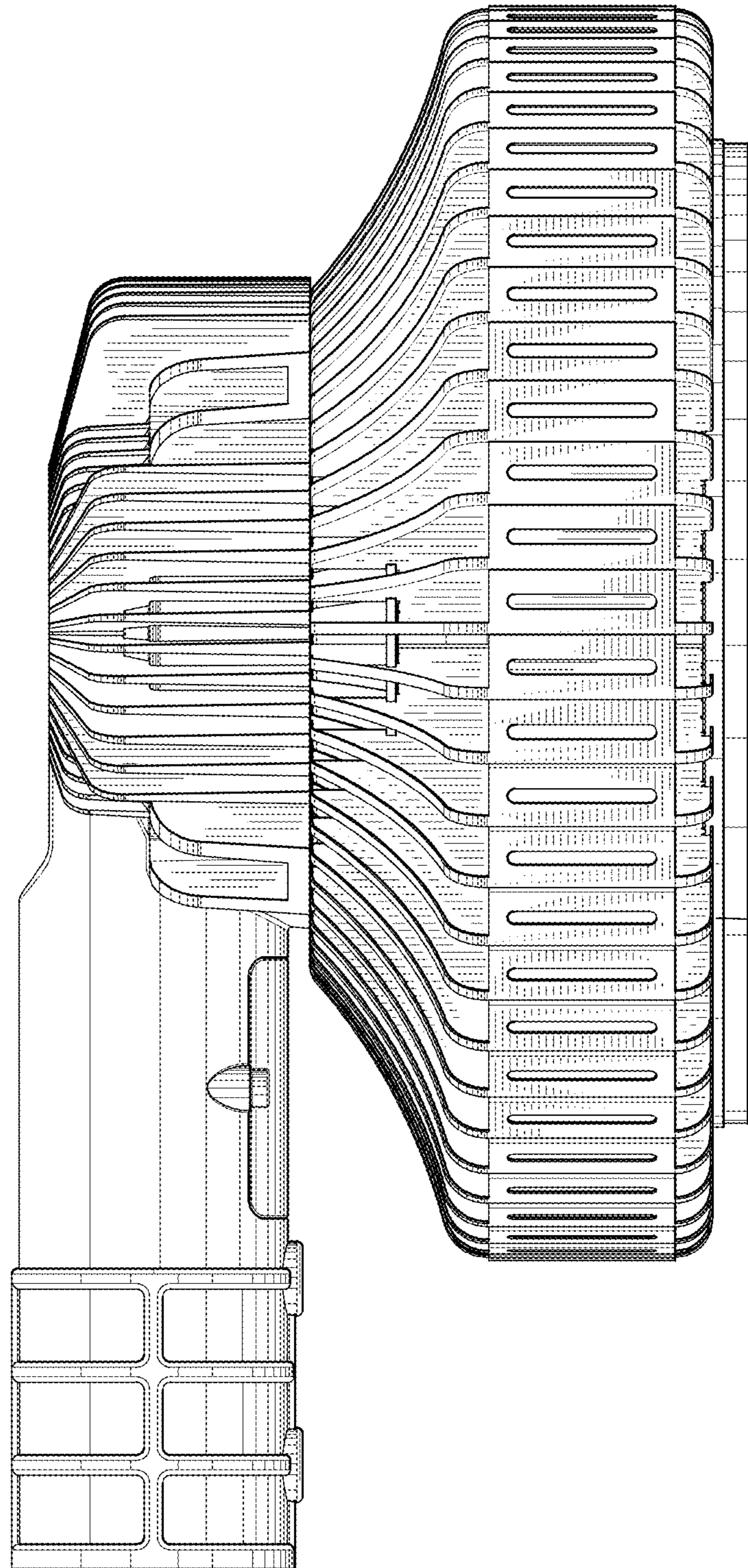


FIG. 6

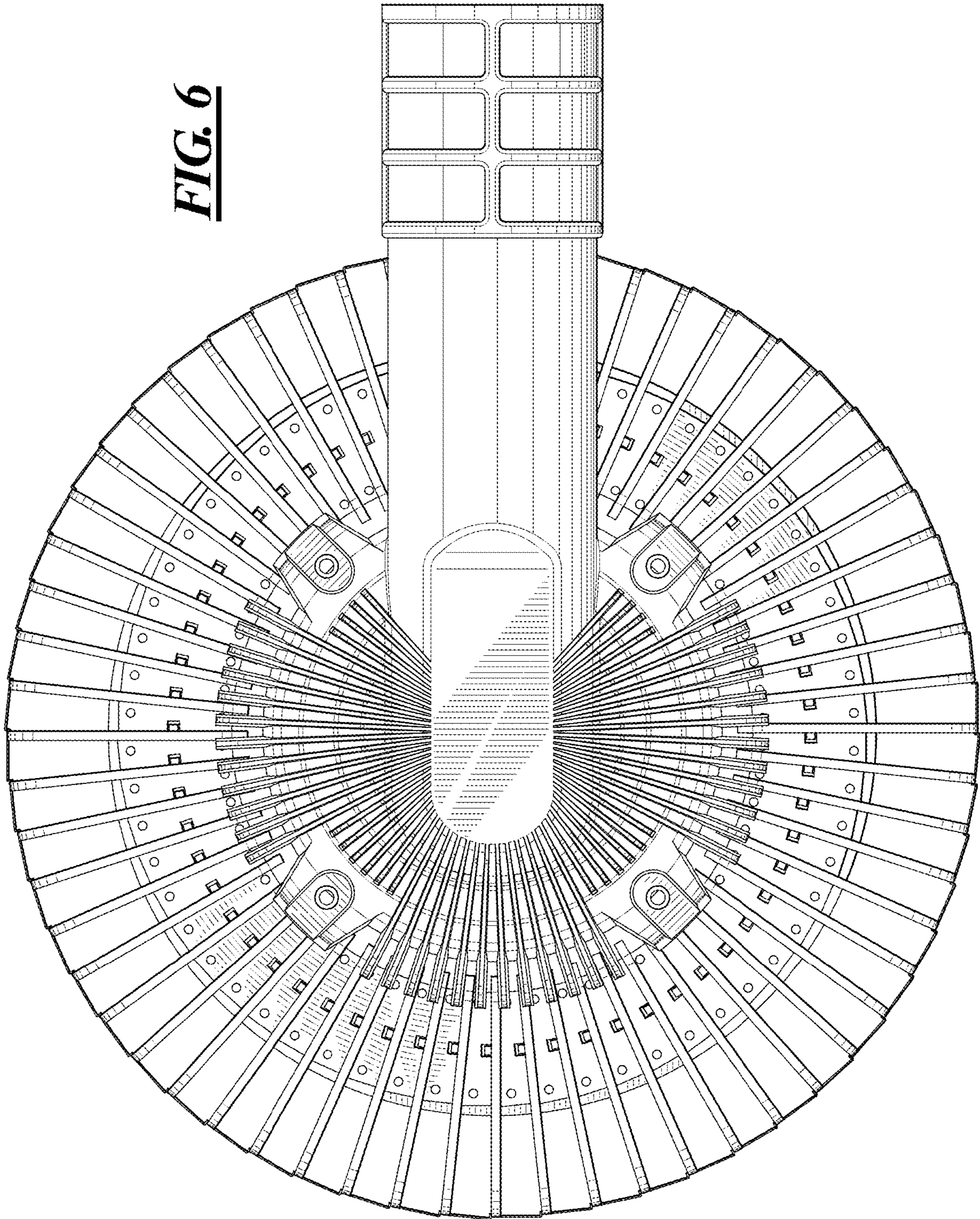


FIG. 7

