

US00D930218S

(12) **United States Design Patent**
Amato et al.

(10) **Patent No.:** **US D930,218 S**

(45) **Date of Patent:** **** Sep. 7, 2021**

(54) **LIGHTING FIXTURE**

(71) Applicant: **The Urban Electric Company**, North Charleston, SC (US)

(72) Inventors: **Michael Amato**, London (GB); **David Dawson**, Charleston, SC (US); **Jonathan Charpia**, Summerville, SC (US); **Joeangel Casanova**, Brooklyn, NY (US); **Brianna Magagnoli**, North Charleston, SC (US); **Janis Golubeckis**, Mount Pleasant, SC (US)

(73) Assignee: **The Urban Electric Company**, North Charleston, SC (US)

(**) Term: **15 Years**

(21) Appl. No.: **29/723,856**

(22) Filed: **Feb. 11, 2020**

(51) **LOC (13) Cl.** **26-03**

(52) **U.S. Cl.**
USPC **D26/88; D26/91**

(58) **Field of Classification Search**
USPC D26/72, 76, 80-86, 88-91
CPC F21S 8/03; F21S 8/04; F21S 8/043; F21S 8/046; F21S 8/06; F21S 8/061; F21S 8/063; F21S 8/065

See application file for complete search history.

(56) **References Cited**

U.S. PATENT DOCUMENTS

| | | | | | |
|------------|---|---------|----------|-------|--------|
| D60,560 S | * | 3/1922 | Mohrmann | | D26/91 |
| D206,178 S | * | 11/1966 | Eckert | | D26/81 |
| D251,871 S | * | 5/1979 | Horn | | D26/91 |
| D263,761 S | * | 4/1982 | Glassman | | D26/83 |

| | | | | | |
|------------|---|--------|-------|-------|---------|
| D356,176 S | * | 3/1995 | Tsuji | | D26/91 |
| D359,376 S | * | 6/1995 | Tsuji | | D26/91 |
| D447,264 S | * | 8/2001 | Cohen | | D26/72 |
| D775,758 S | * | 1/2017 | Amato | | D26/89 |
| D807,563 S | * | 1/2018 | Amato | | D26/88 |
| D807,564 S | * | 1/2018 | Amato | | D26/88 |
| D847,417 S | * | 4/2019 | Zeng | | D26/149 |

* cited by examiner

Primary Examiner — Clare E Heflin

(74) *Attorney, Agent, or Firm* — Haynsworth Sinkler Boyd, P.A.

(57) **CLAIM**

The ornamental design for a lighting fixture, as shown and described.

DESCRIPTION

FIG. 1 is a top perspective view of a lighting fixture depicting a new design;

FIG. 2 is a bottom perspective view thereof;

FIG. 3 is a front elevational view thereof;

FIG. 4 is a back elevational view thereof;

FIG. 5 is a right elevational view thereof;

FIG. 6 is a left elevational view thereof;

FIG. 7 is a top plan view thereof; and

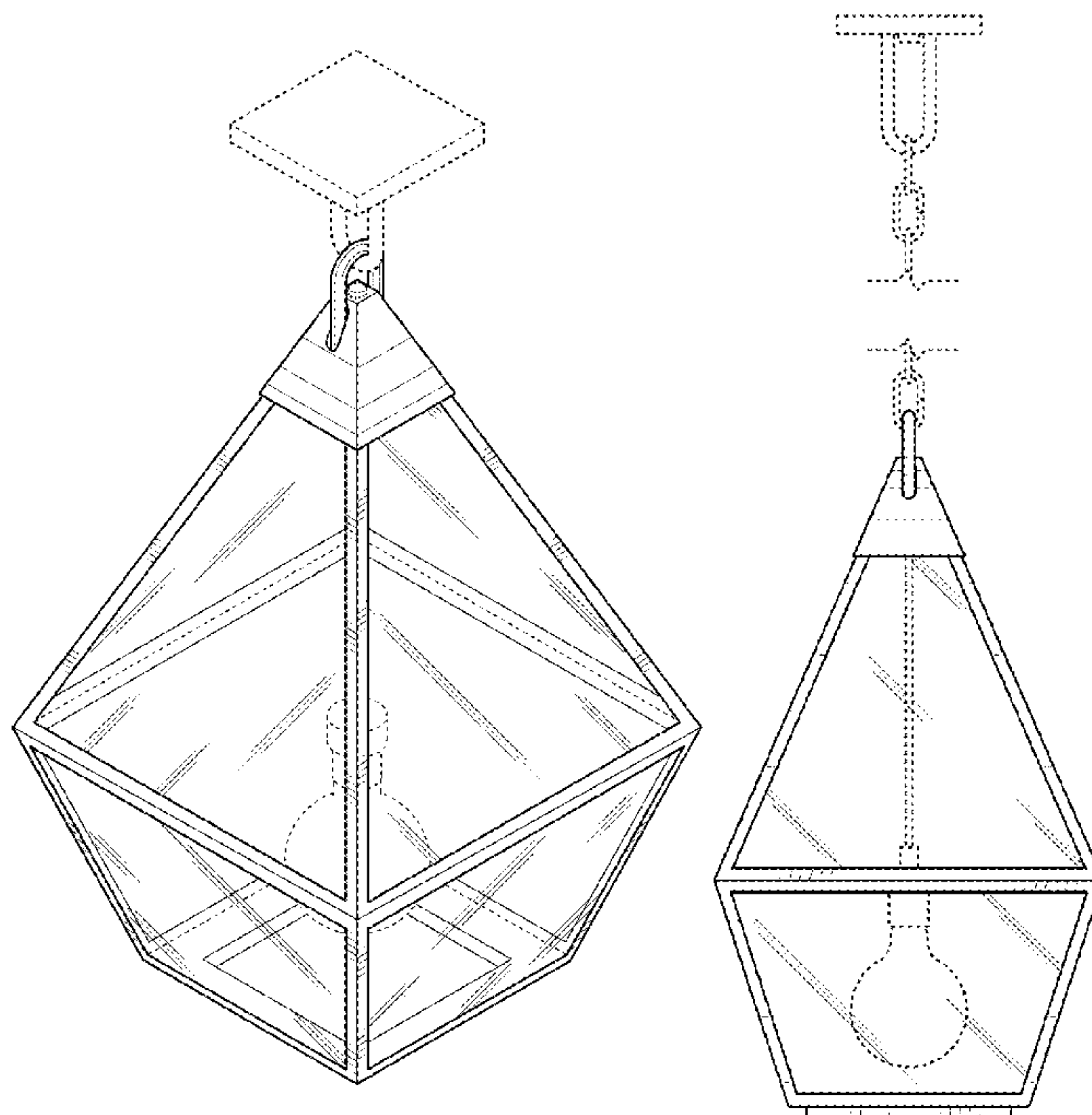
FIG. 8 is a bottom plan view thereof.

FIG. 9 is a front elevational view of the lighting fixture showing the new design with an alternative mounting arrangement; and,

FIG. 10 is a front elevational view of the lighting fixture showing a second alternative mounting arrangement.

The broken lines in the views represent portions of the lighting fixture that form no part of the claimed design.

1 Claim, 10 Drawing Sheets



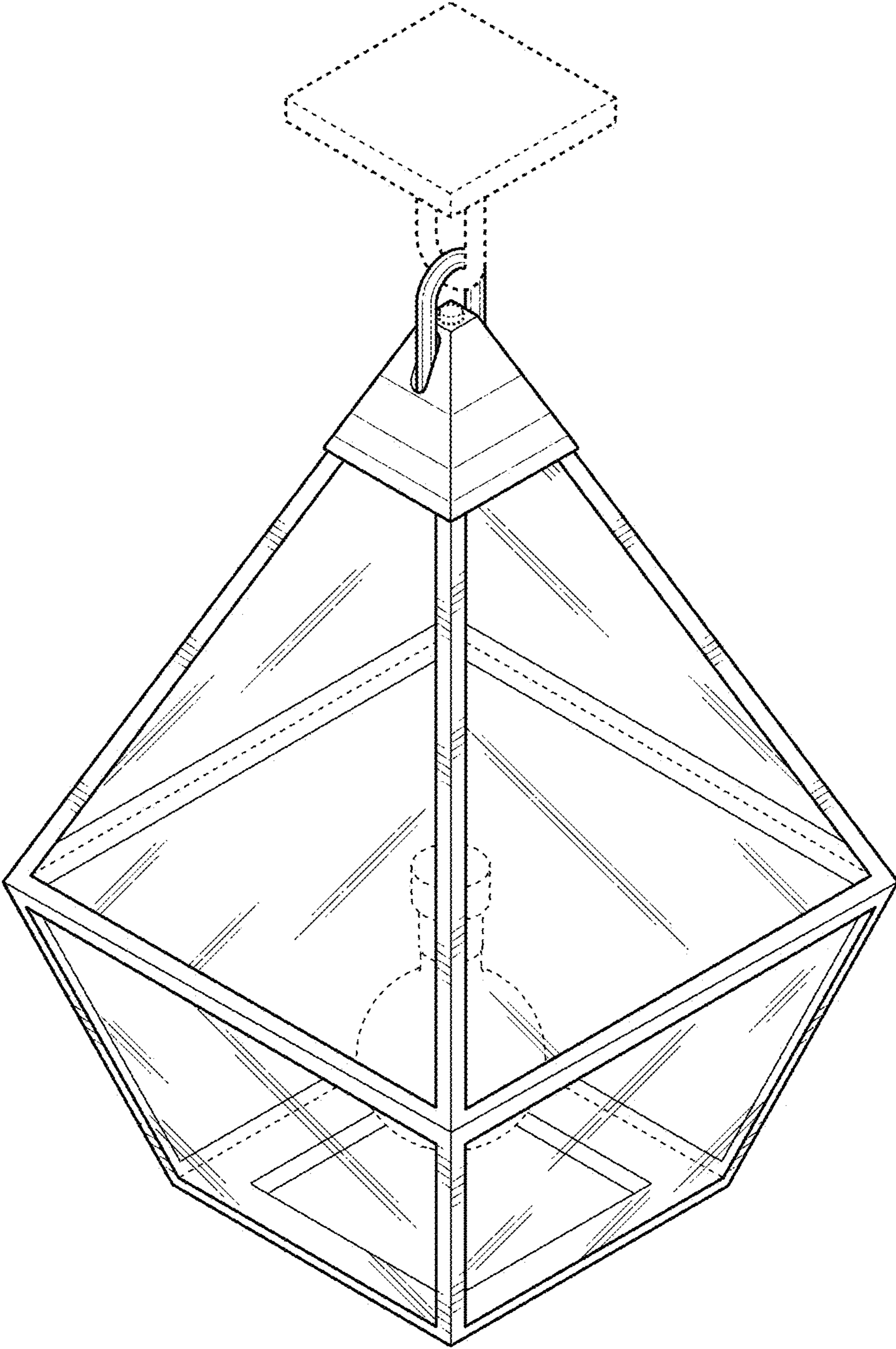


FIG. 1

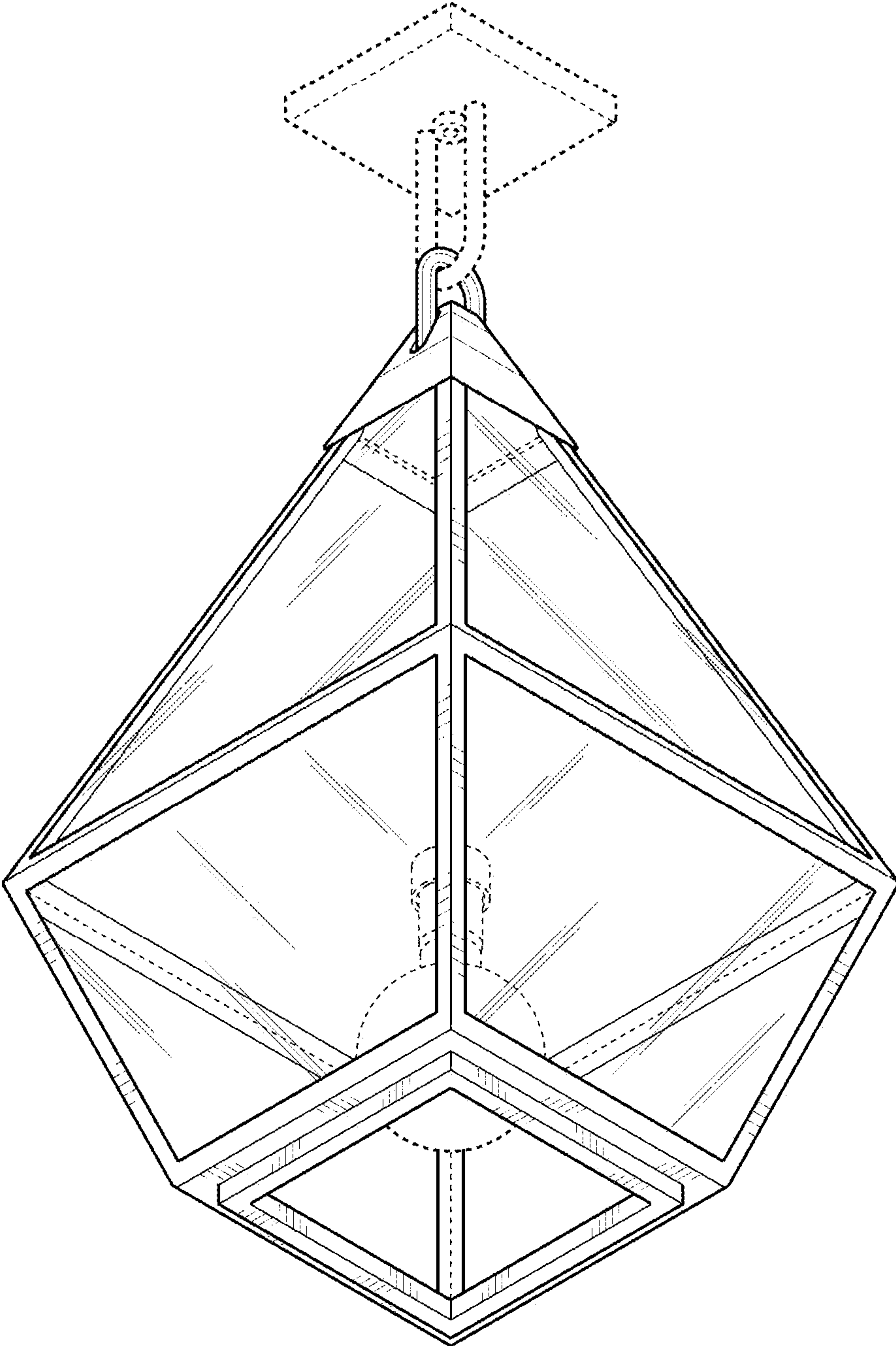


FIG. 2

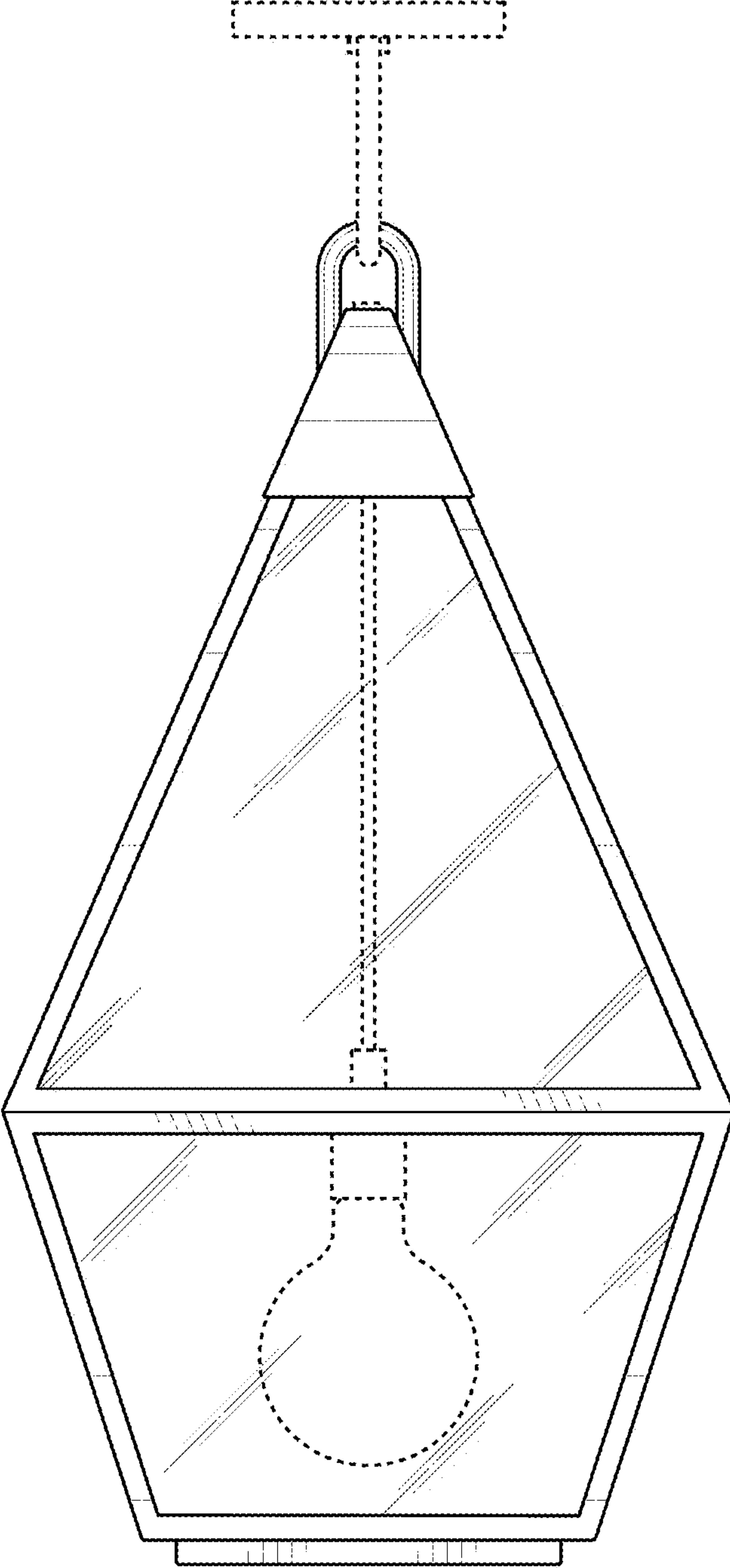


FIG. 3

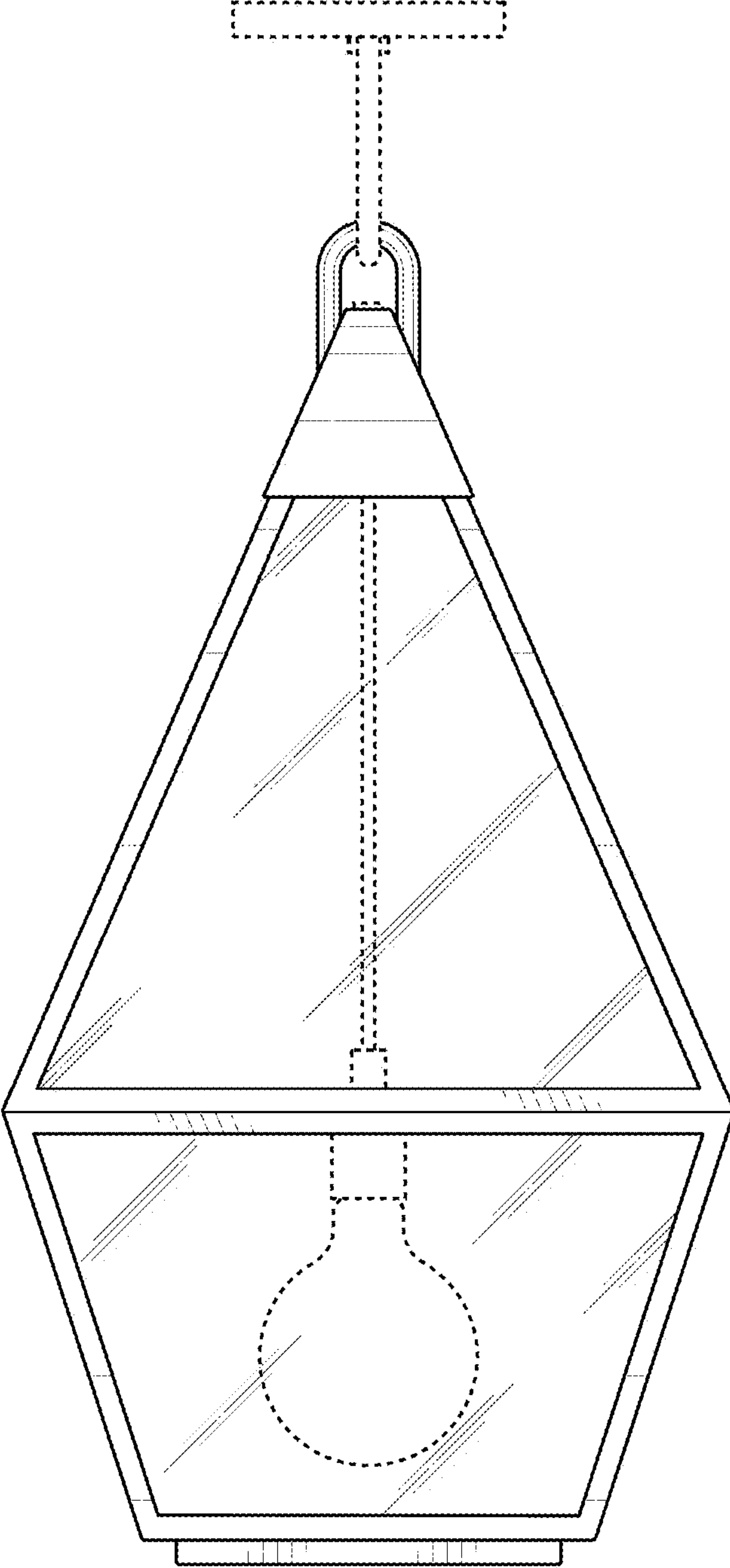


FIG. 4

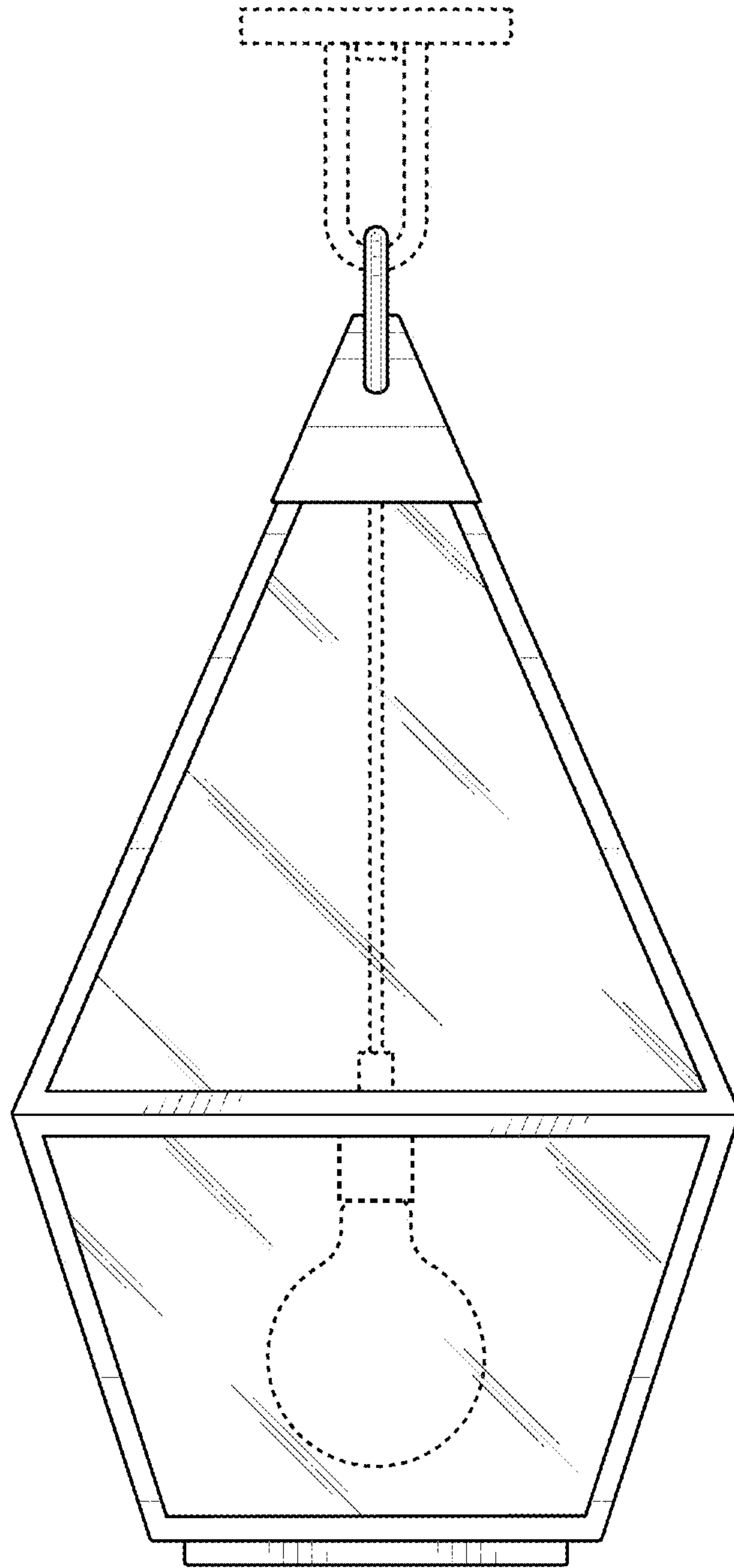


FIG. 5

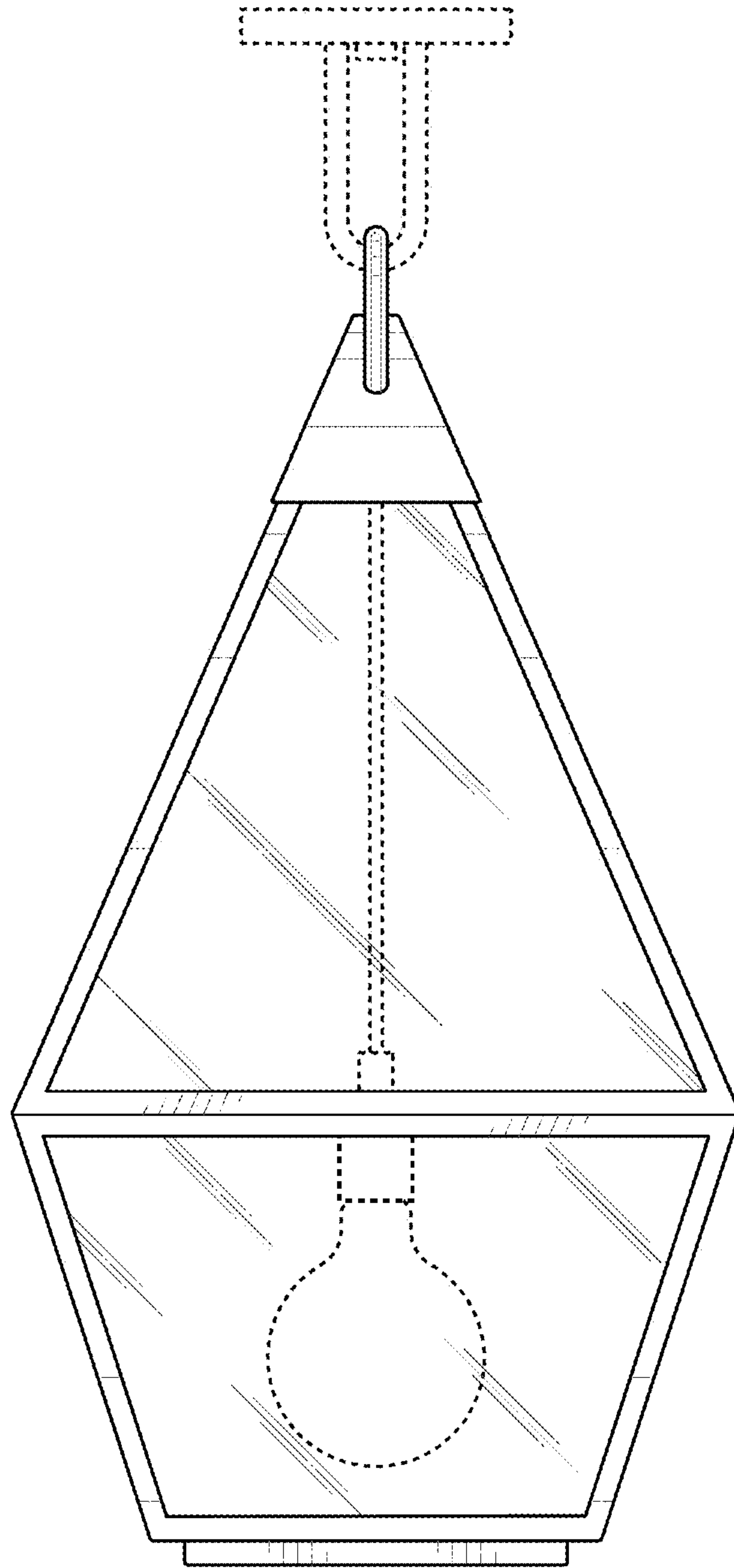


FIG. 6

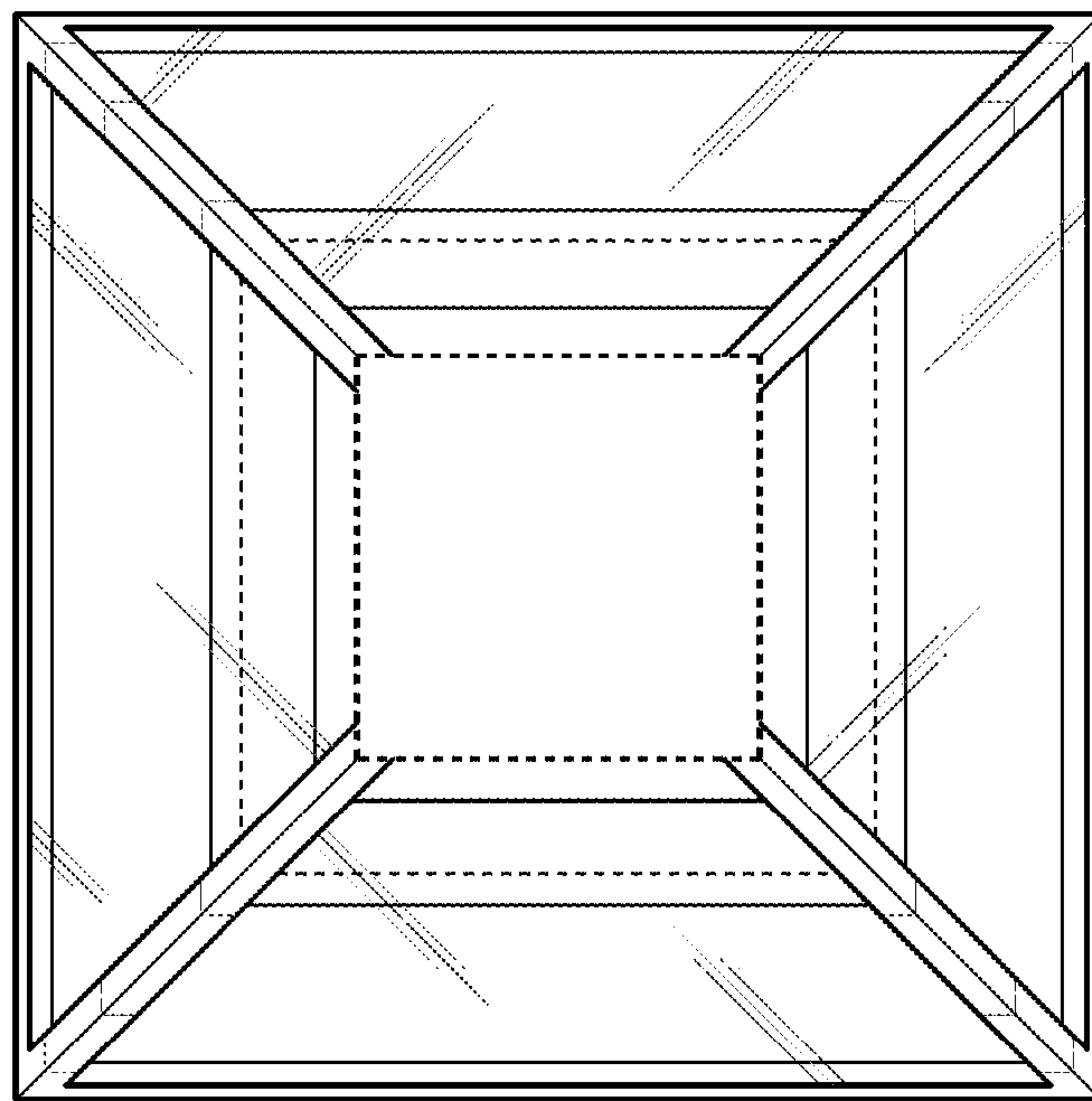


FIG. 7

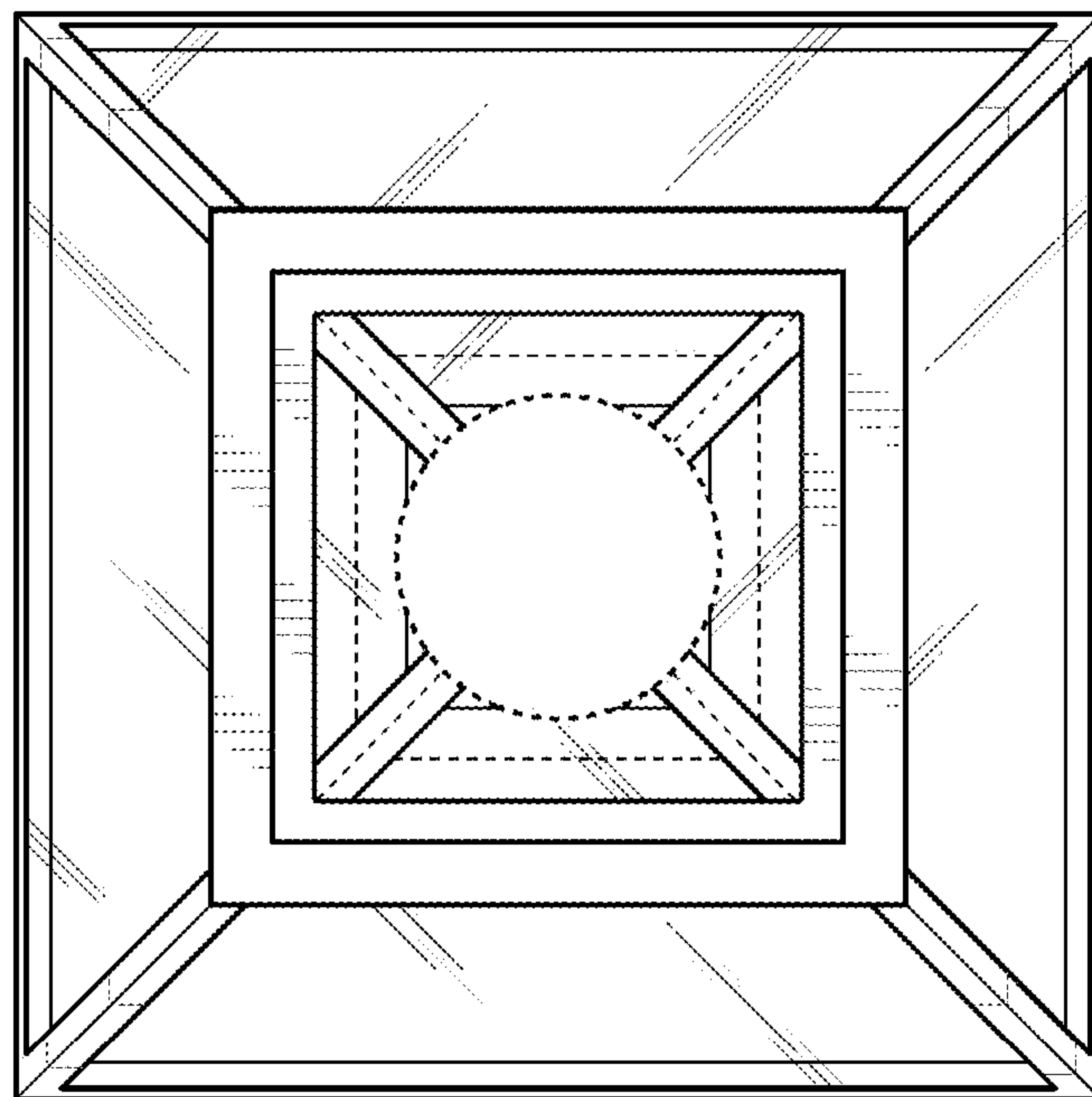


FIG. 8

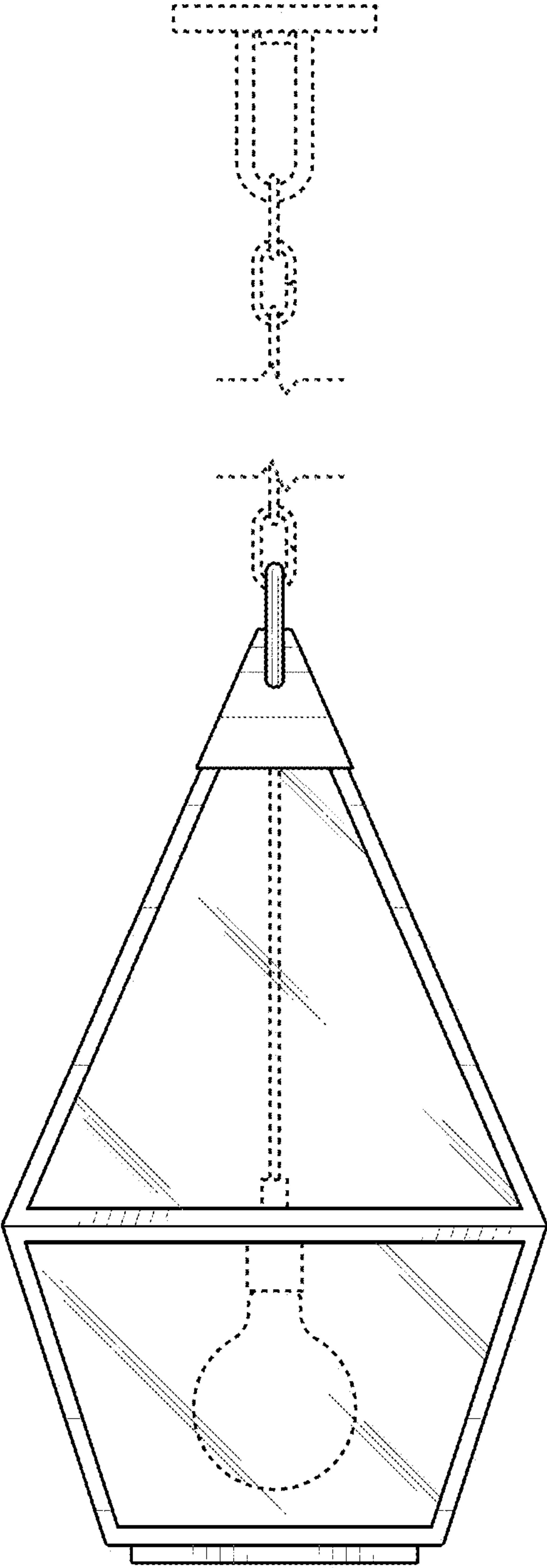


FIG. 9

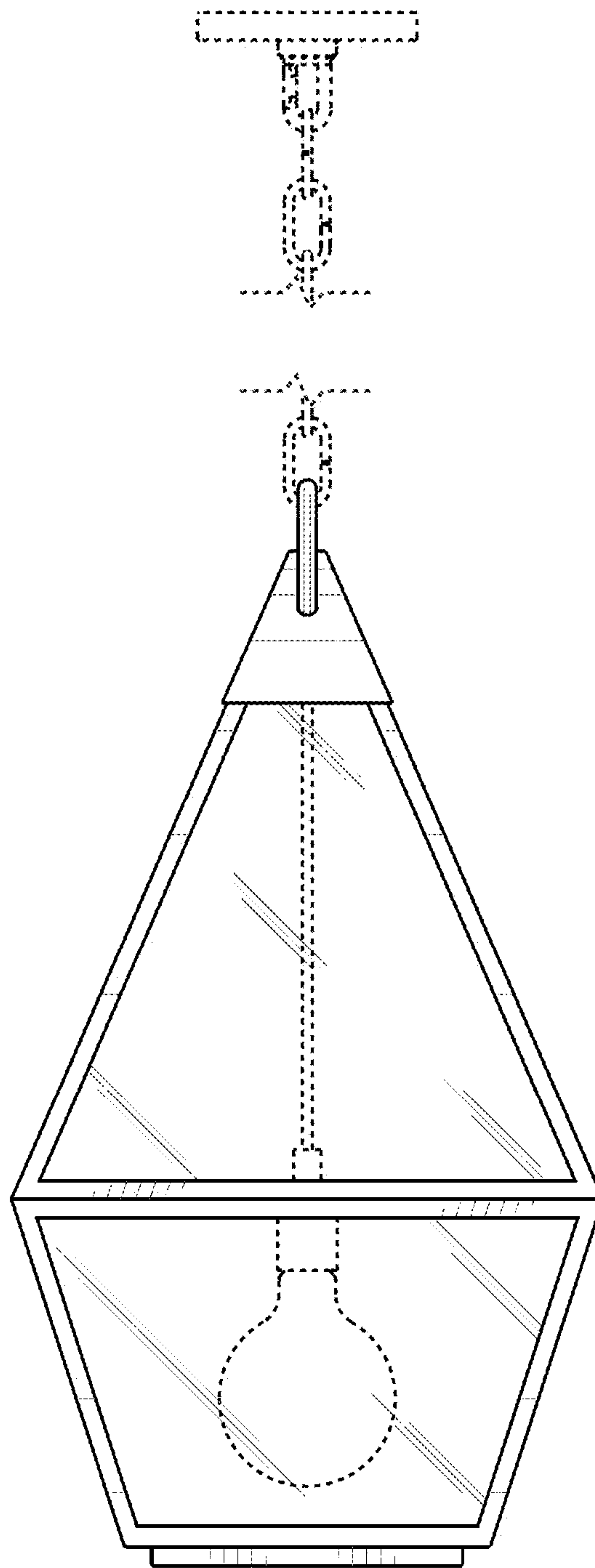


FIG. 10