



US00D930217S

(12) **United States Design Patent** (10) **Patent No.:** **US D930,217 S**
Johnson (45) **Date of Patent:** **** Sep. 7, 2021**

- (54) **MOTION SENSOR SAFE LIGHT**
- (71) Applicant: **London Johnson, Inc.**, Dallas, TX (US)
- (72) Inventor: **Brian P. Johnson**, Dallas, TX (US)
- (73) Assignee: **London Johnson, Inc.**, Dallas, TX (US)
- (**) Term: **15 Years**
- (21) Appl. No.: **29/675,474**
- (22) Filed: **Jan. 2, 2019**
- (51) **LOC (13) Cl.** **26-05**
- (52) **U.S. Cl.**
USPC **D26/85**
- (58) **Field of Classification Search**
USPC D10/111-115; D26/24, 26, 34, 44, 51, D26/58, 60, 61, 63, 72, 75, 76, 78, 80, D26/85, 88, 89, 113, 118, 37, 42
CPC F21S 8/00; F21S 8/02; F21S 8/03; F21S 8/04; F21S 8/033; F21S 8/08; F21S 8/36; F21S 8/037; F21S 8/043; F21S 9/022; F21S 9/035; F21V 29/73
See application file for complete search history.

- (56) **References Cited**
U.S. PATENT DOCUMENTS
D327,954 S * 7/1992 Lawrence D26/37
D495,076 S * 8/2004 Mandel D26/37
D535,418 S * 1/2007 Martin D26/37
D599,045 S * 8/2009 Castellucci D26/37
D795,871 S * 8/2017 Jentz D14/388

OTHER PUBLICATIONS
Firecore Motion Sensor Closet LED Light Review (available online Jul. 24, 2016) Retrieved from the internet Dec. 9, 2020 from URL: Firecore <https://www.youtube.com/watch?v=eUpE7nUkrRU>.*

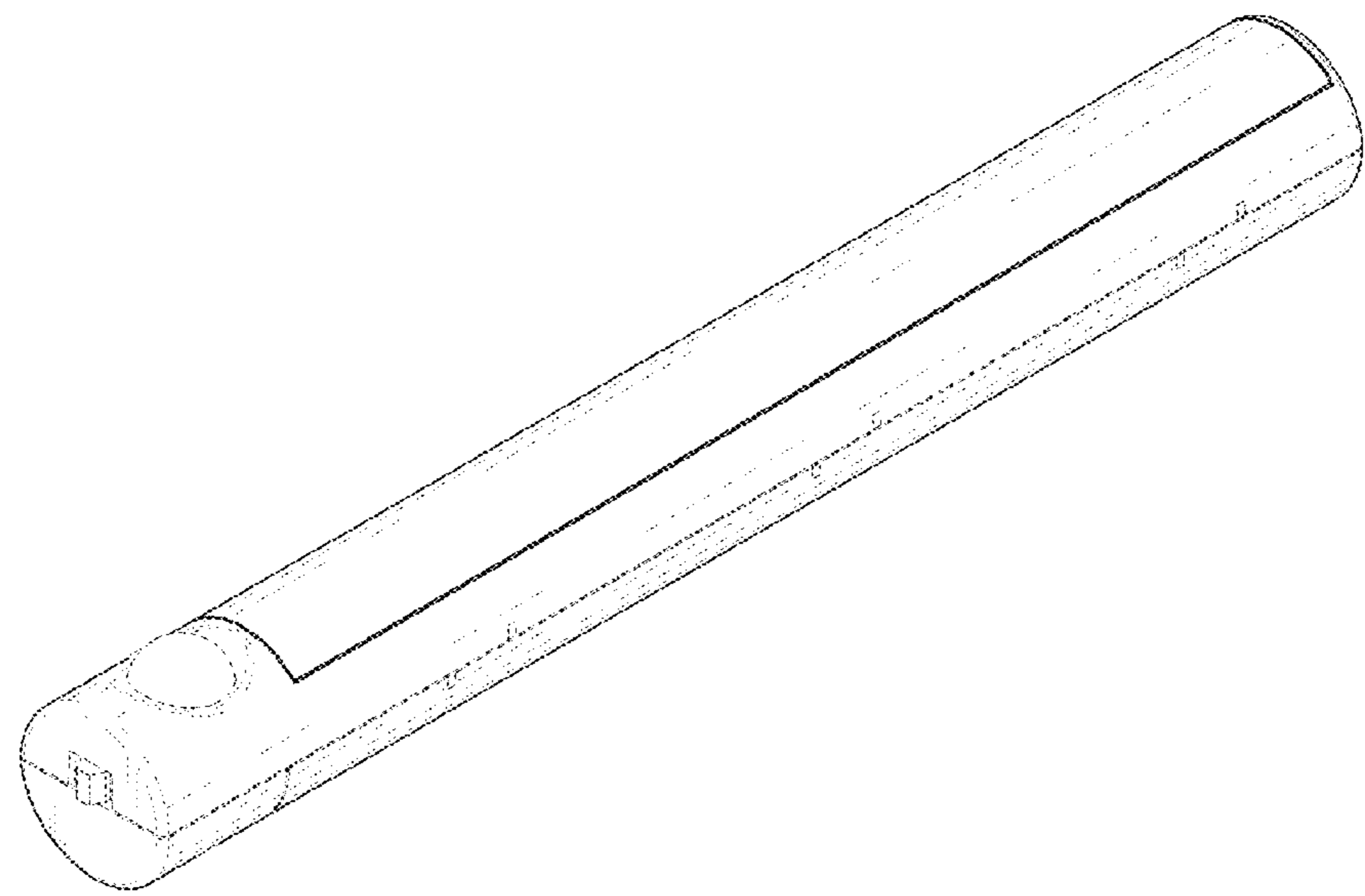
Motion Sensor Clost Lgiht (available online Jun. 13, 2018) Retrieved from the internet Dec. 9, 2020 from URL: https://www.amazon.com/Upgraded-Rechargeable-Wardrobe-Anywhere-Lighting/dp/B07C6R95YJ/ref=sr_1_18?dchild=1&keywords=motion+sensor+closet+lgiht%2C+upgraded&qid=1607698886&s=home-garden&sr=1-18.*
Motion Sensor Night Light (available online Jul. 12, 2016) Retrieved from the internet Dec. 9, 2020 from URL: https://www.amazon.com/Firecore-Portable-Nightlight-Flashlight-Emergency/dp/B01IBJCHKC/ref=pd_rhf_se_p_img_9?_encoding=UTF8&psc=1&refRID=X24APS993FG515VQSFDA.*
Dr Prepare Motion Sensor Closet Light (available online Oct. 26, 2018) Retrieved from the internet Dec. 9, 2020 from URL: [youtub.com/watch?v=HUC7jnEvkhU](https://www.youtube.com/watch?v=HUC7jnEvkhU).*

* cited by examiner
Primary Examiner — Kevin K Rudzinski
Assistant Examiner — Richard Kearney
(74) *Attorney, Agent, or Firm* — Perkins Coie LLP

(57) **CLAIM**
The ornamental design for a motion sensor safe light, as shown and described.

DESCRIPTION
FIG. 1 is a perspective view of a motion sensor safe light as viewed from the top and front.
FIG. 2 is a top plan view thereof.
FIG. 3 is a bottom plan view thereof.
FIG. 4 is a front side profile view thereof.
FIG. 5 is a back side profile view thereof.
FIG. 6 is a side profile view thereof; and,
FIG. 7 is a second side profile view thereof.
The details shown in broken lines illustrate features that form no part of the claimed designs.

1 Claim, 3 Drawing Sheets



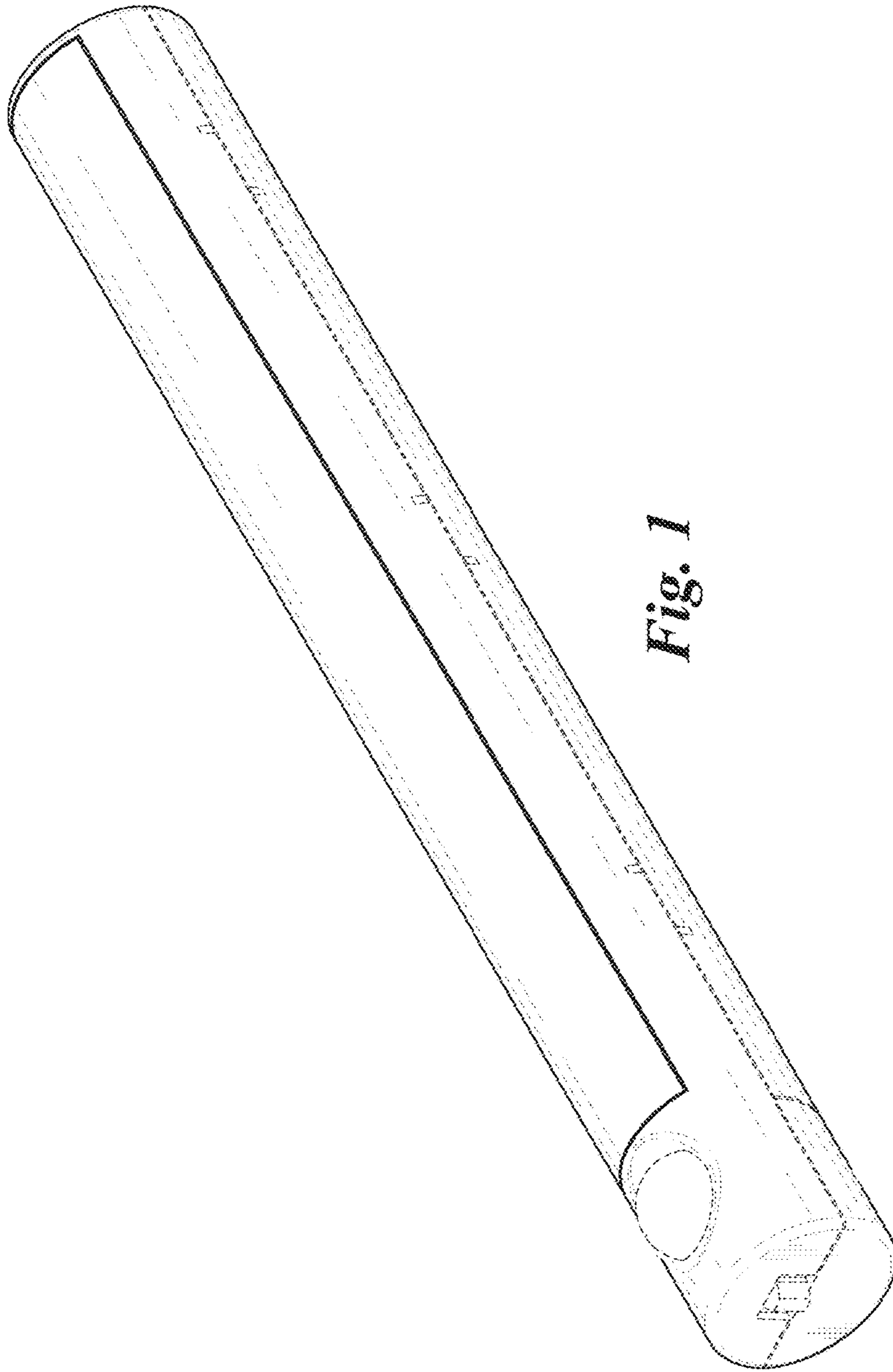


Fig. 1

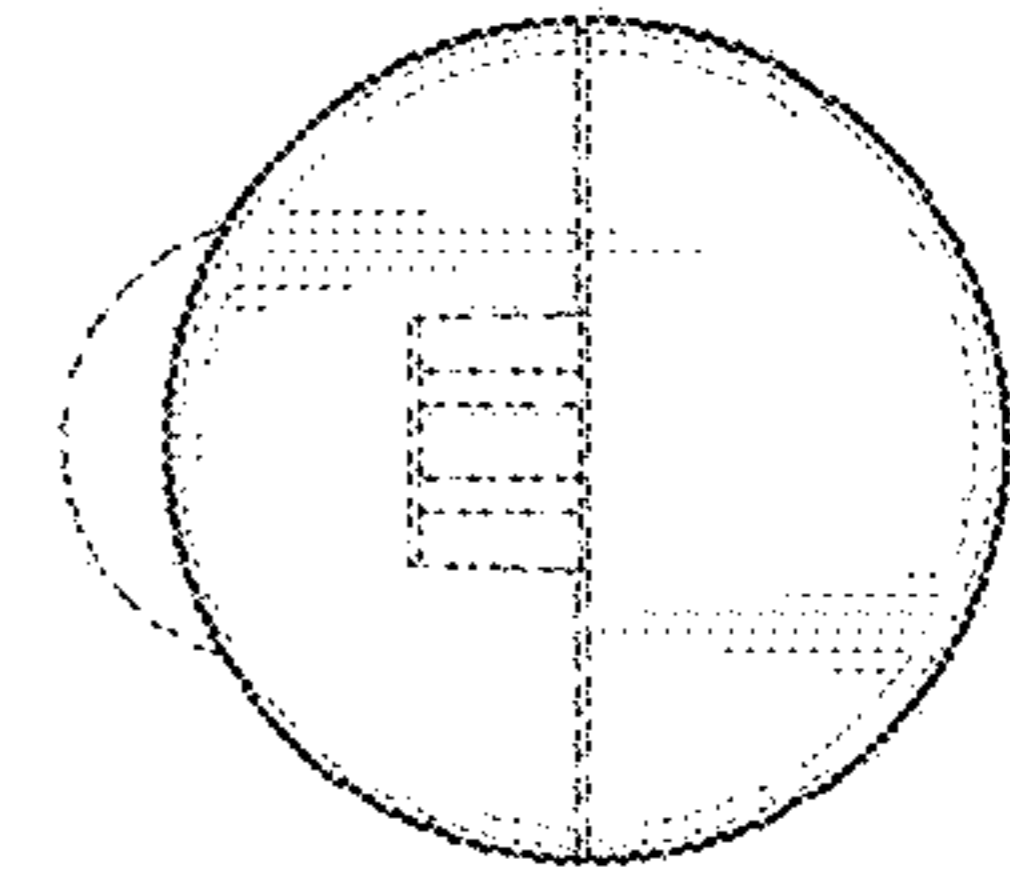


Fig. 2

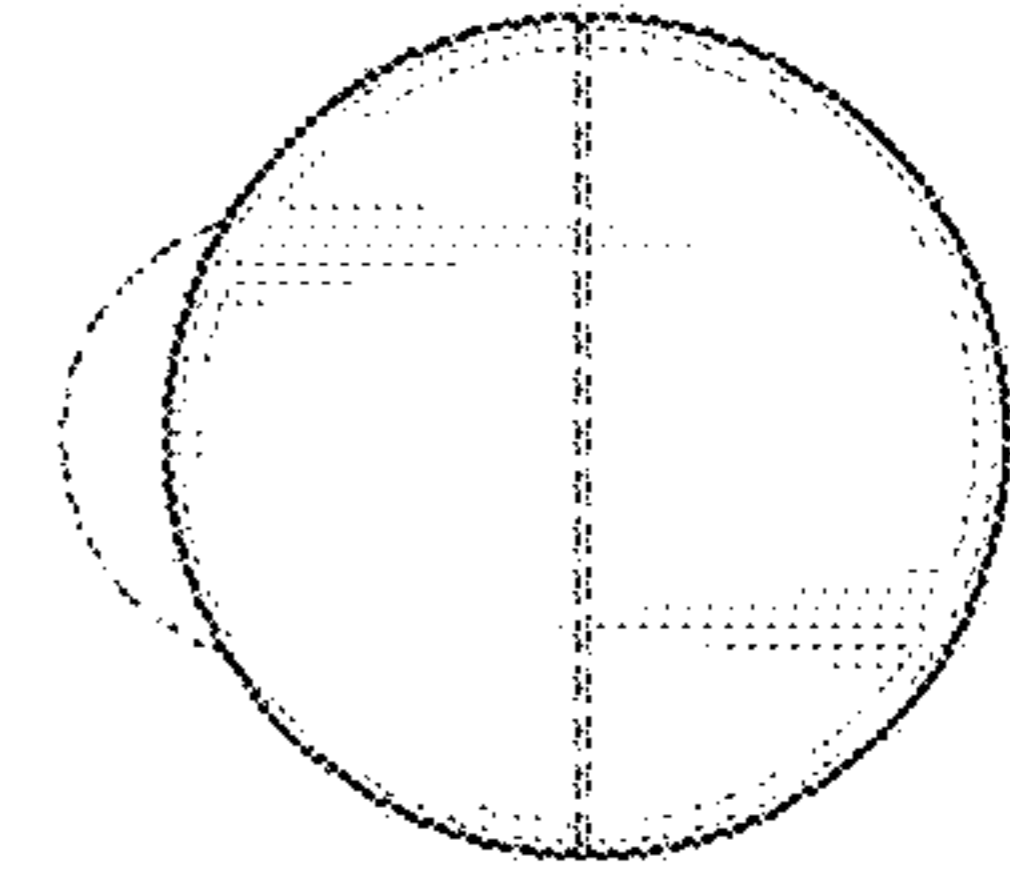


Fig. 3

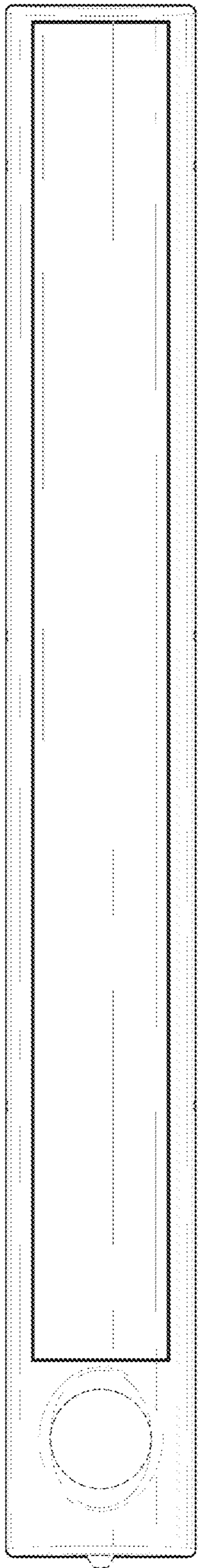


Fig. 4

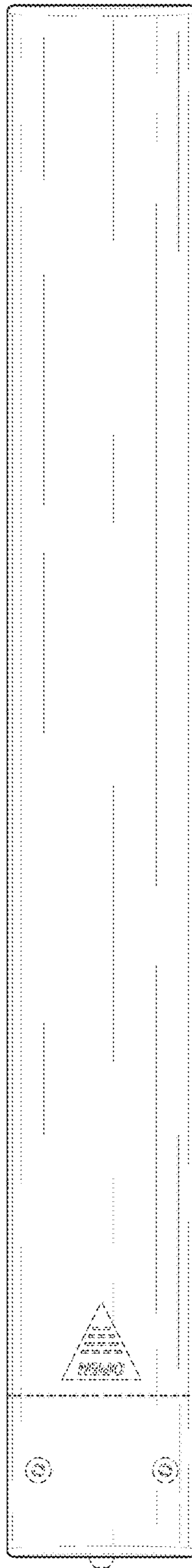


Fig. 5

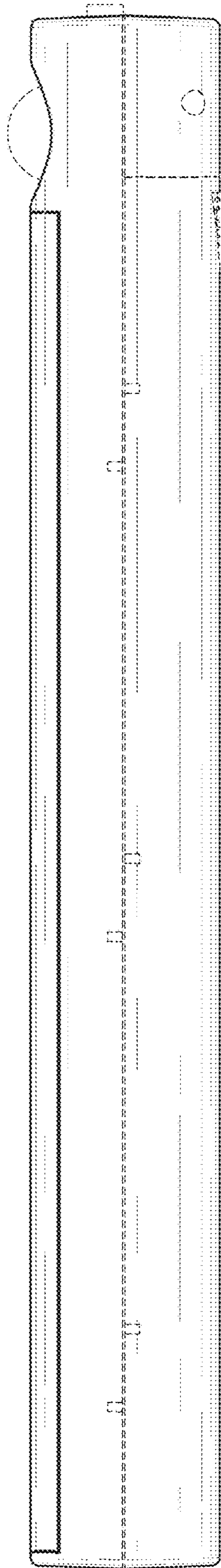


Fig. 6

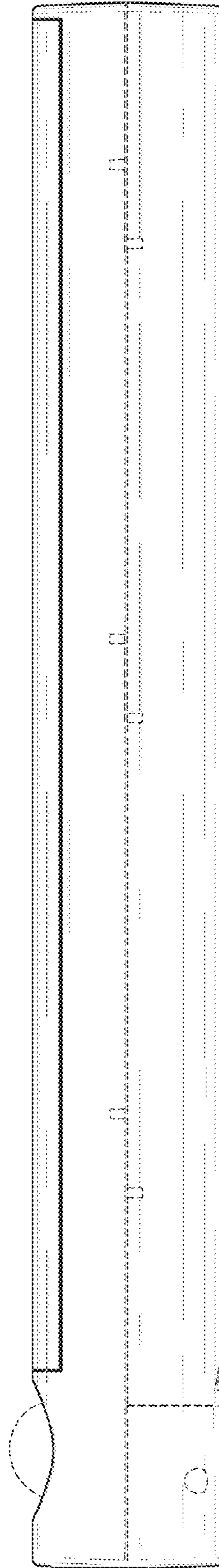


Fig. 7