



US00D930216S

(12) **United States Design Patent** (10) **Patent No.:** **US D930,216 S**
He (45) **Date of Patent:** **** Sep. 7, 2021**

(54) **LED LAMP**

(71) Applicant: **Haiyan He**, Daoxian (CN)

(72) Inventor: **Haiyan He**, Daoxian (CN)

(**) Term: **15 Years**

(21) Appl. No.: **29/761,832**

(22) Filed: **Dec. 11, 2020**

(51) **LOC (13) Cl.** **26-05**

(52) **U.S. Cl.**
USPC **D26/67**

(58) **Field of Classification Search**
USPC D26/63, 67-70, 85
CPC .. F21S 8/022; F21S 8/032; F21S 8/036; F21S 8/081; F21S 8/083; F21S 8/088; F21S 9/02; F21S 9/037; F21S 10/046; F21V 21/0824; F21W 2131/109; F21W 2111/02; F21W 2111/023

See application file for complete search history.

(56) **References Cited**

U.S. PATENT DOCUMENTS

D800,928 S	10/2017	Xu et al.	
D808,548 S	1/2018	Xu et al.	
D834,233 S	* 11/2018	Mishan	D26/67
D838,891 S	* 1/2019	Mishan	D26/67
D842,521 S	* 3/2019	Hollinger	D26/67
D842,522 S	* 3/2019	Mishan	D26/67
D842,523 S	* 3/2019	Mishan	D26/67
D864,452 S	* 10/2019	Wei	D26/67
D866,839 S	* 11/2019	Yan	D26/67
D881,436 S	* 4/2020	Yan	D26/67

D882,144 S	* 4/2020	Zhu	D26/67
D884,221 S	5/2020	Wang et al.	
D885,631 S	* 5/2020	Li	D26/67
D894,434 S	8/2020	Lan et al.	
D903,186 S	11/2020	Chang	
D905,313 S	* 12/2020	Liao	D26/67
2019/0128486 A1	* 5/2019	Hollinger	F21S 9/037

OTHER PUBLICATIONS

KDORRKU Solar Powered Ground lights 8 Pack available at amazon.com Jan. 20, 2021. (Year: 2021).*
LOFTEK Solar Ground Lights available at amazon.com Apr. 9, 2021. (Year: 2021).*

* cited by examiner

Primary Examiner — Clare E Heflin
(74) *Attorney, Agent, or Firm* — Che-Yang Chen; Law Office of Michael Chen

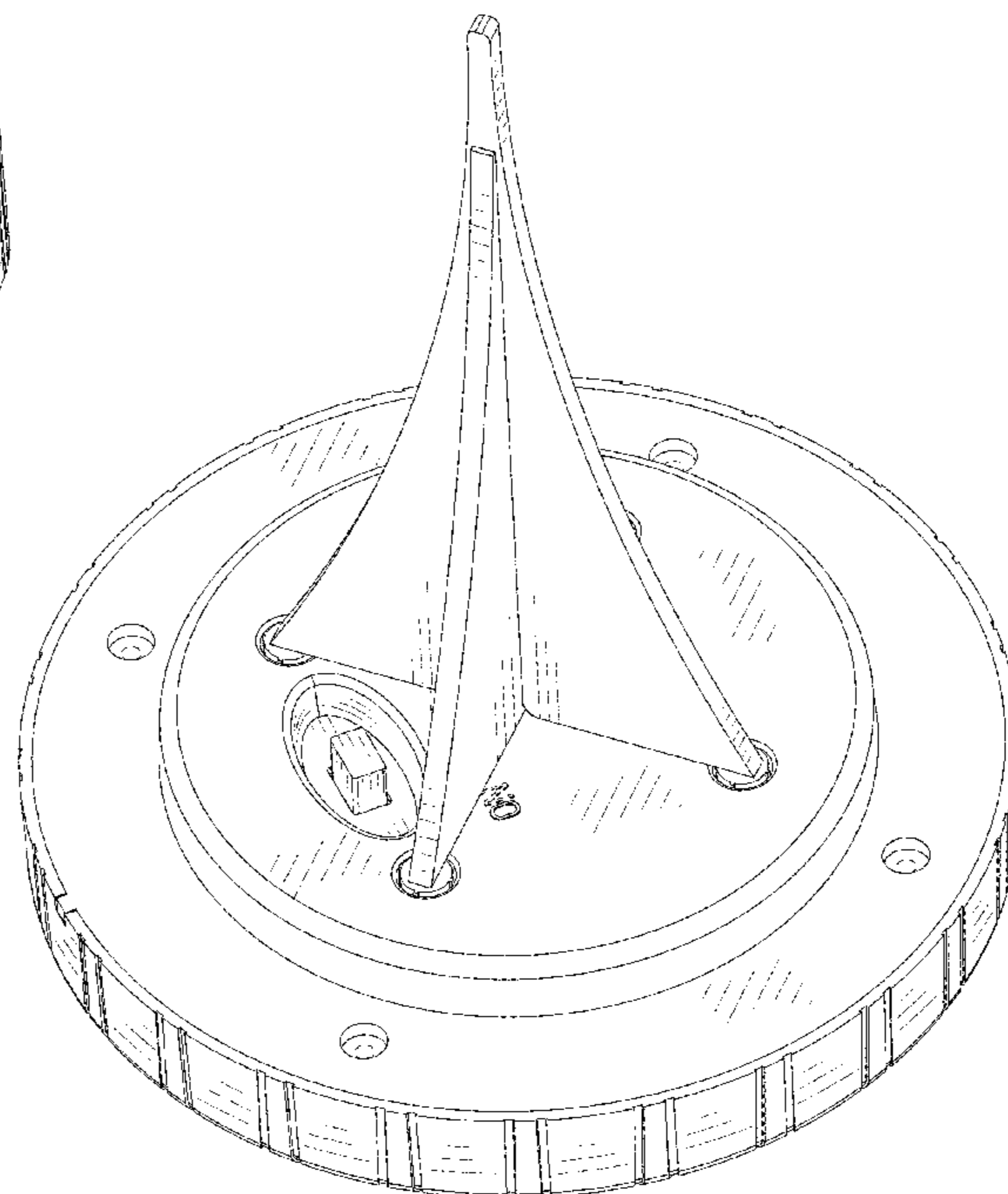
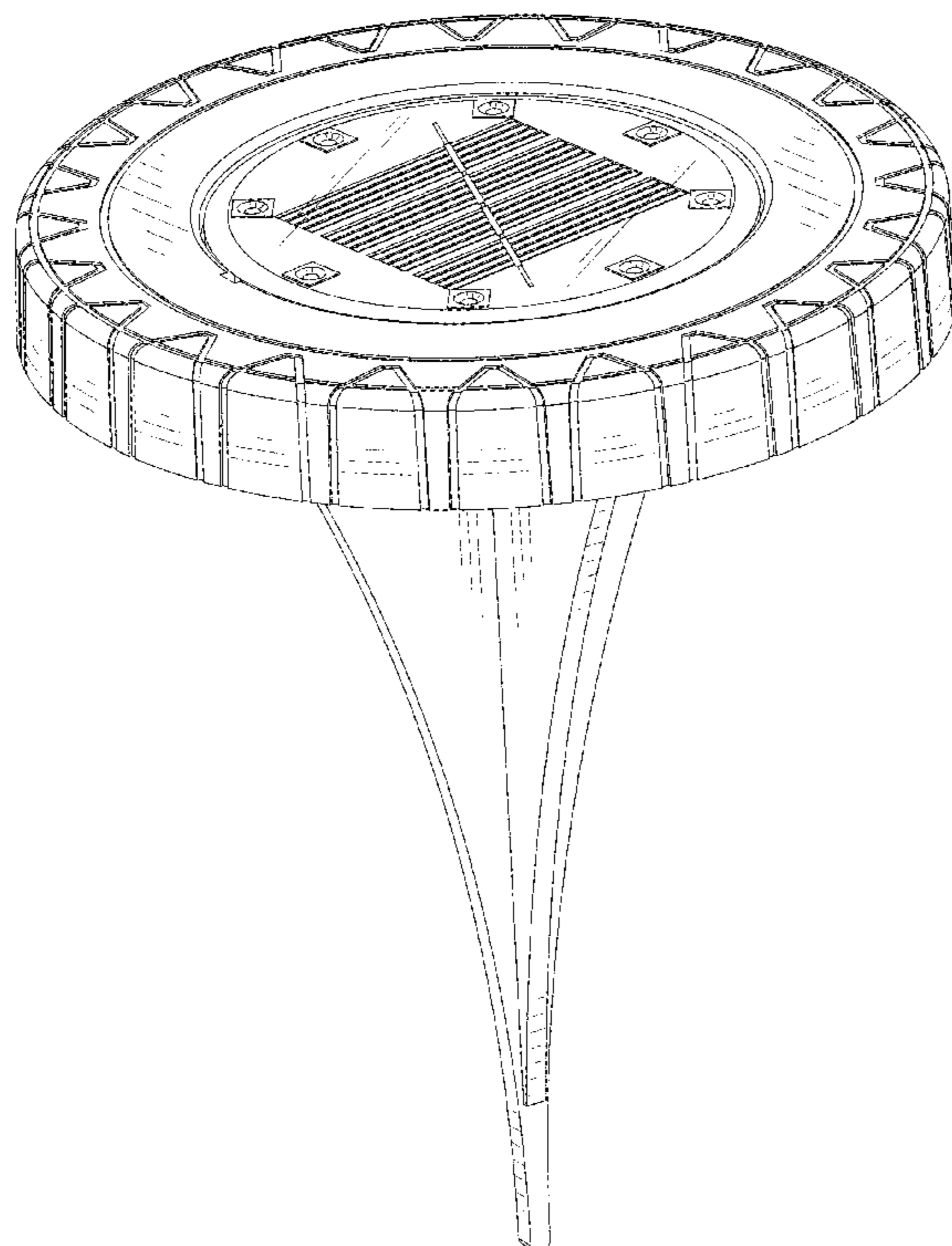
(57) **CLAIM**

The ornamental design for an LED lamp, as shown and described.

DESCRIPTION

FIG. 1 is a perspective view of an LED lamp showing my new design;
FIG. 2 is a front elevational view thereof;
FIG. 3 is a rear elevational view thereof;
FIG. 4 is a left side elevational view thereof;
FIG. 5 is a right side elevational view thereof;
FIG. 6 is a top plan view thereof;
FIG. 7 is a bottom plan view thereof; and,
FIG. 8 is a perspective view thereof from another angle.

1 Claim, 8 Drawing Sheets



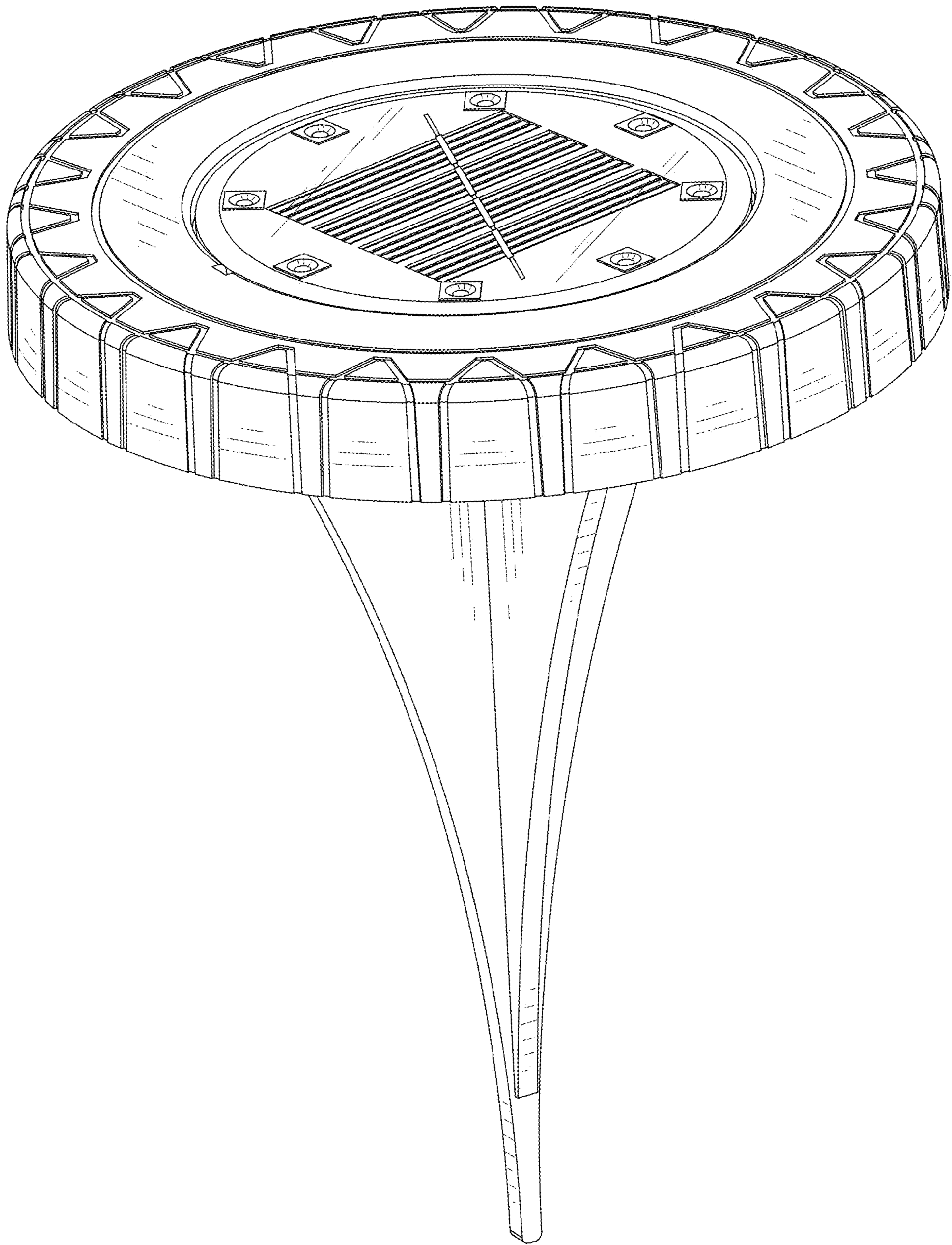


FIG. 1

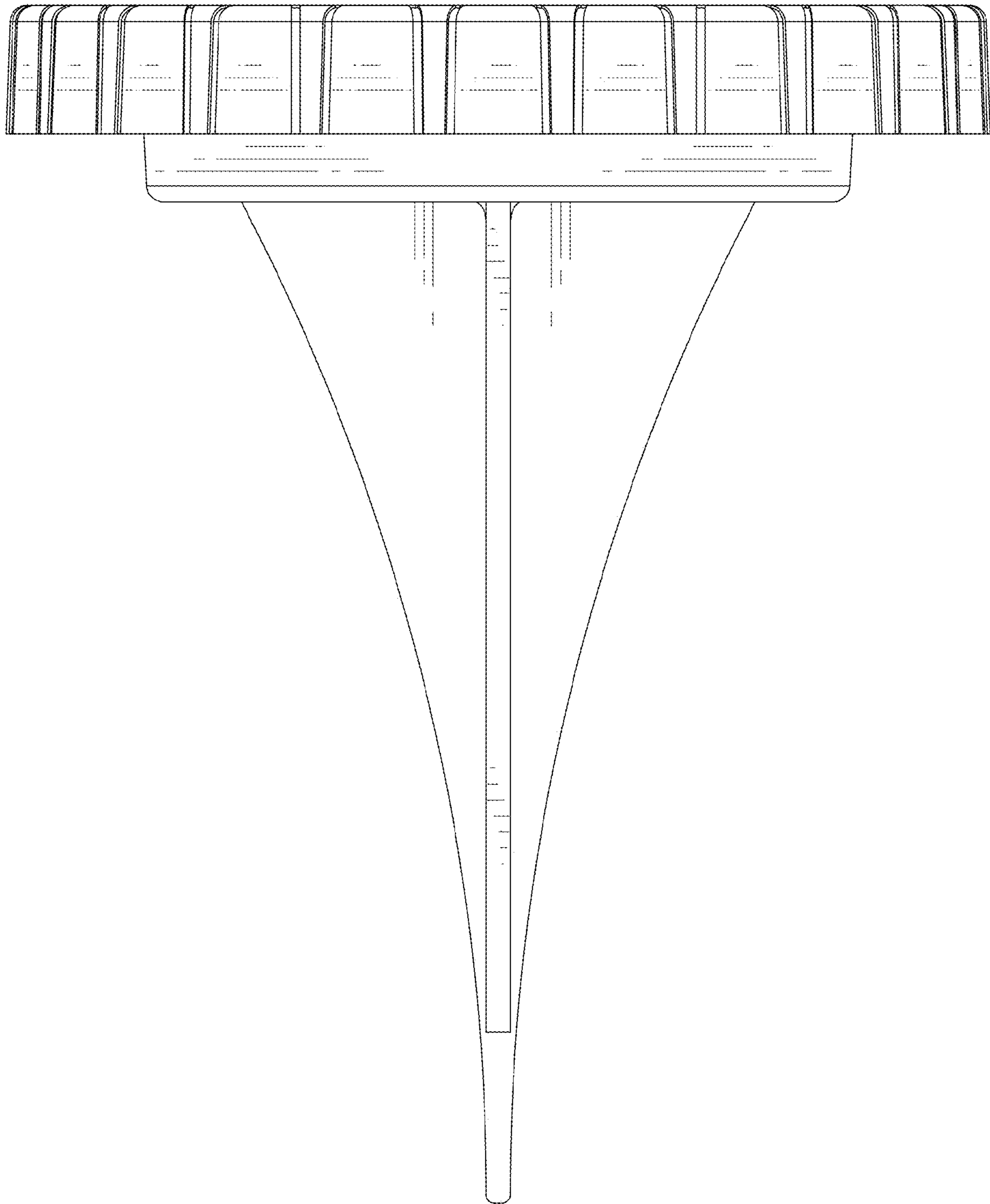


FIG. 2

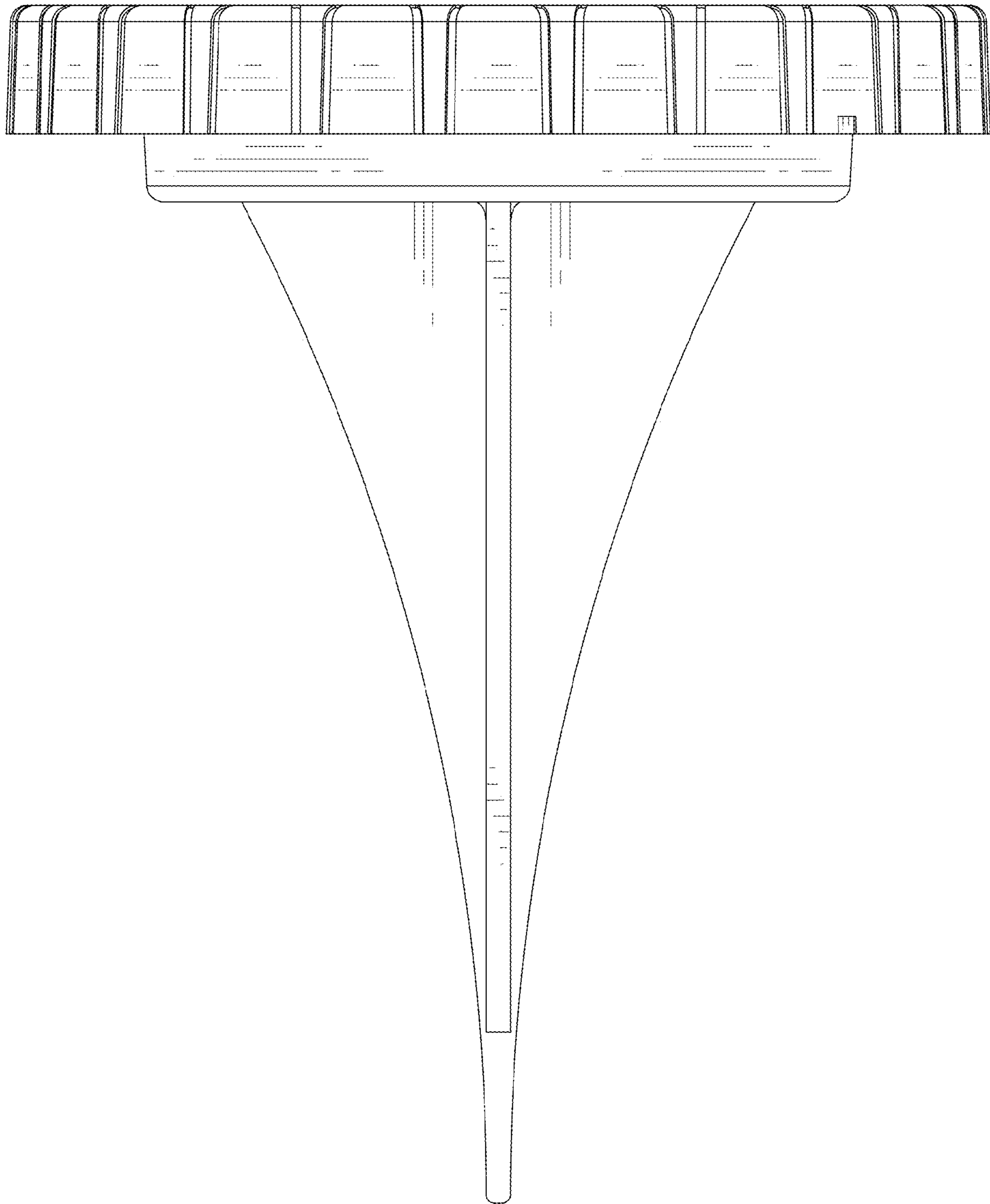


FIG. 3

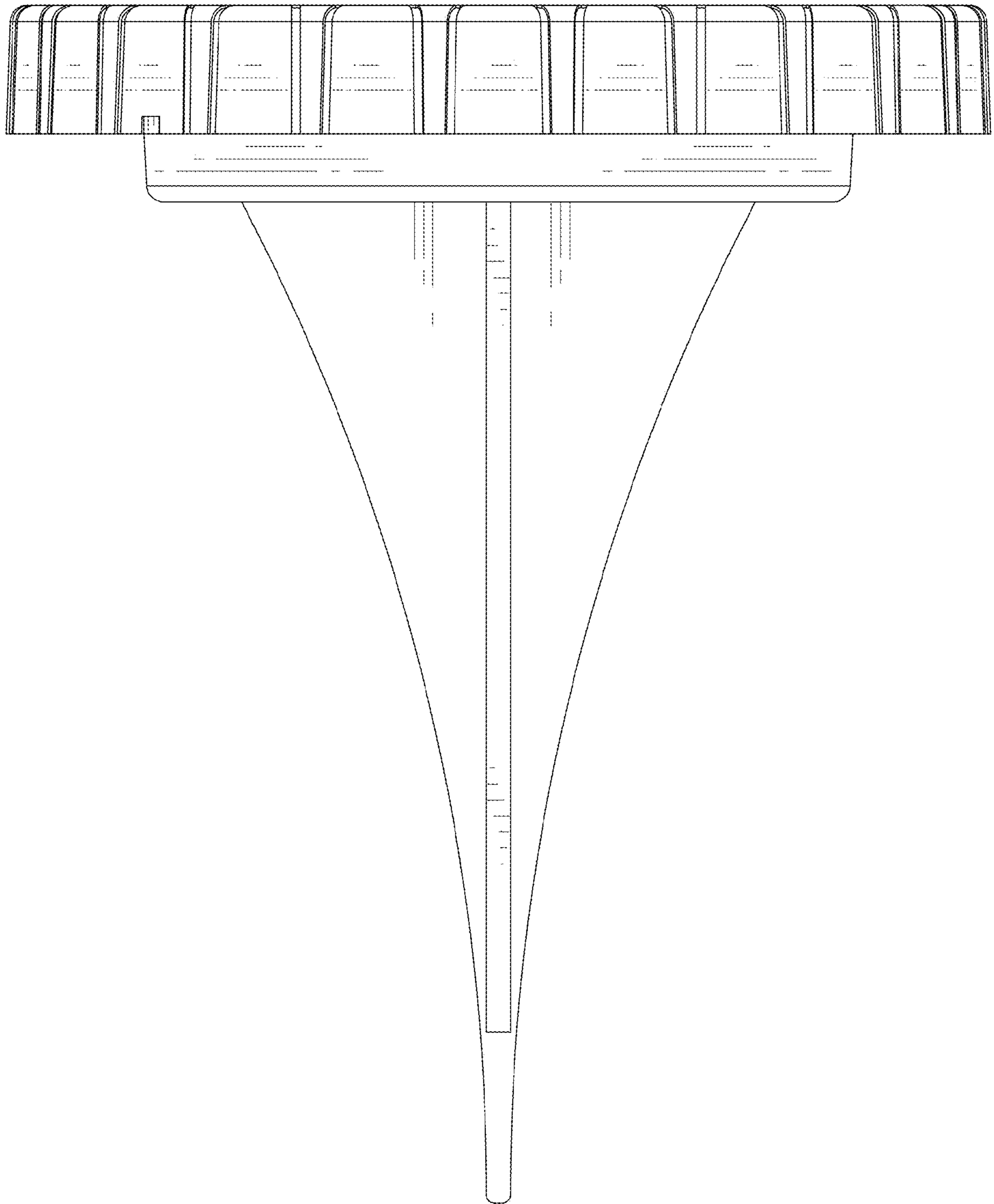


FIG. 4

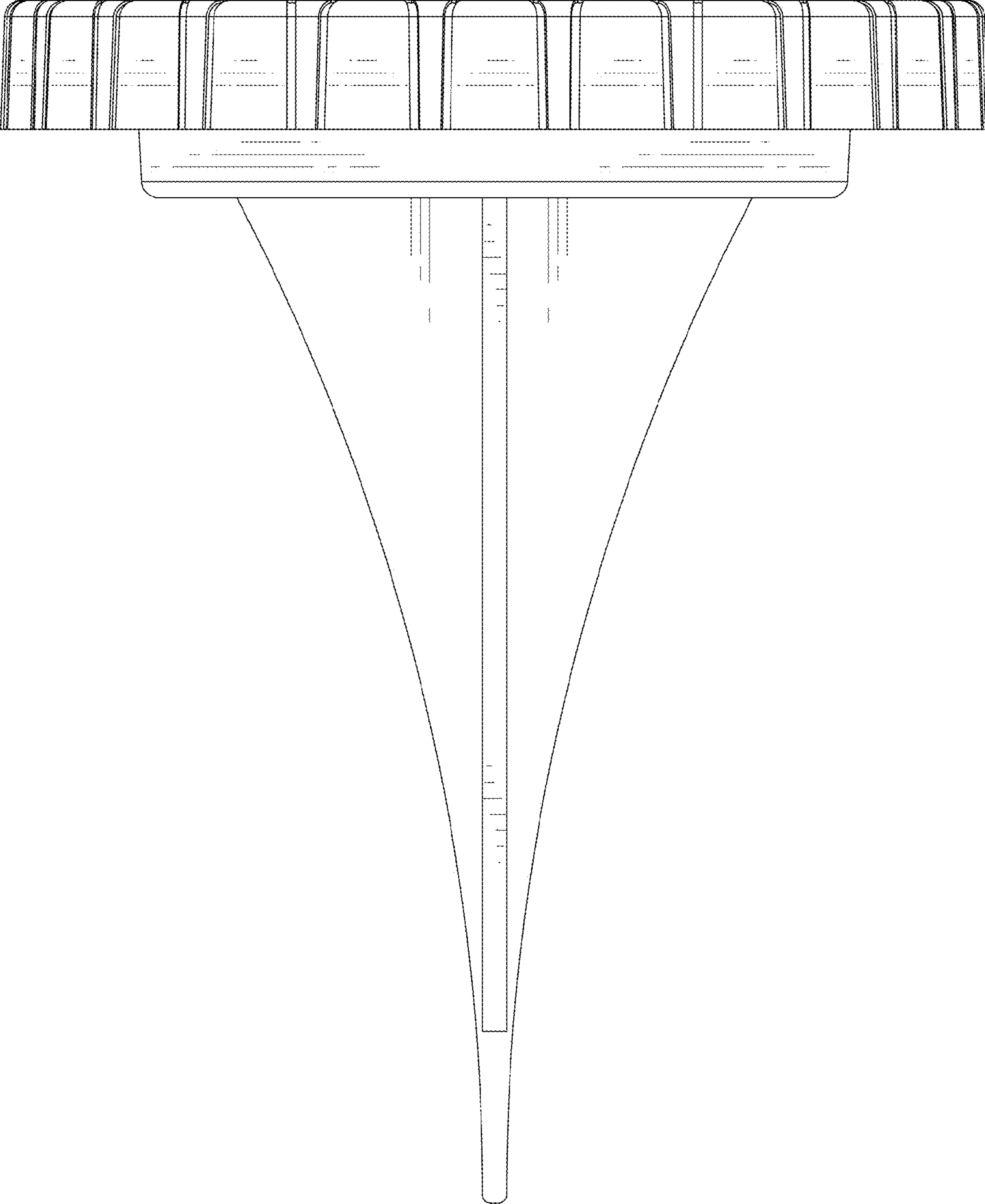


FIG. 5

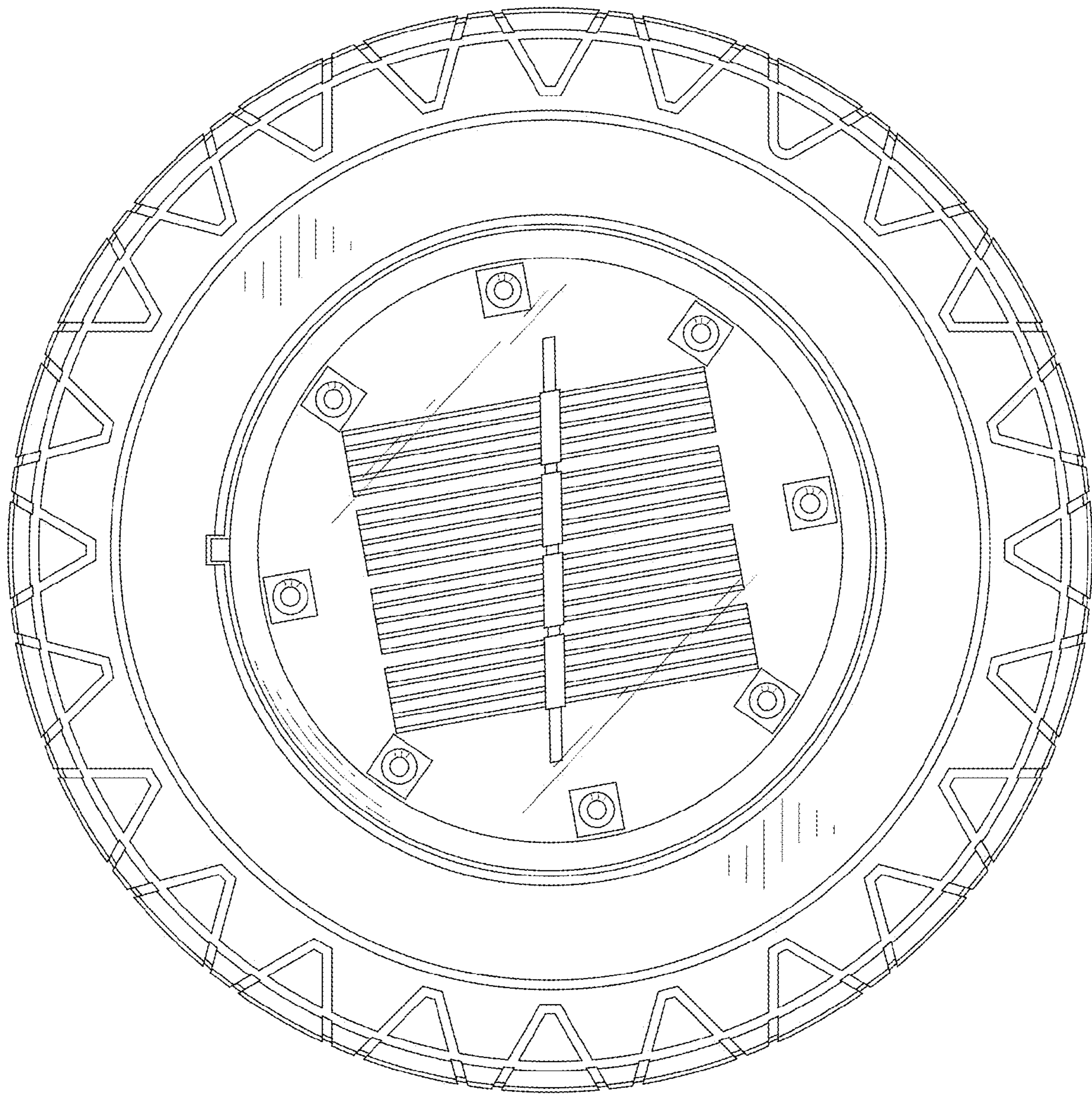


FIG. 6

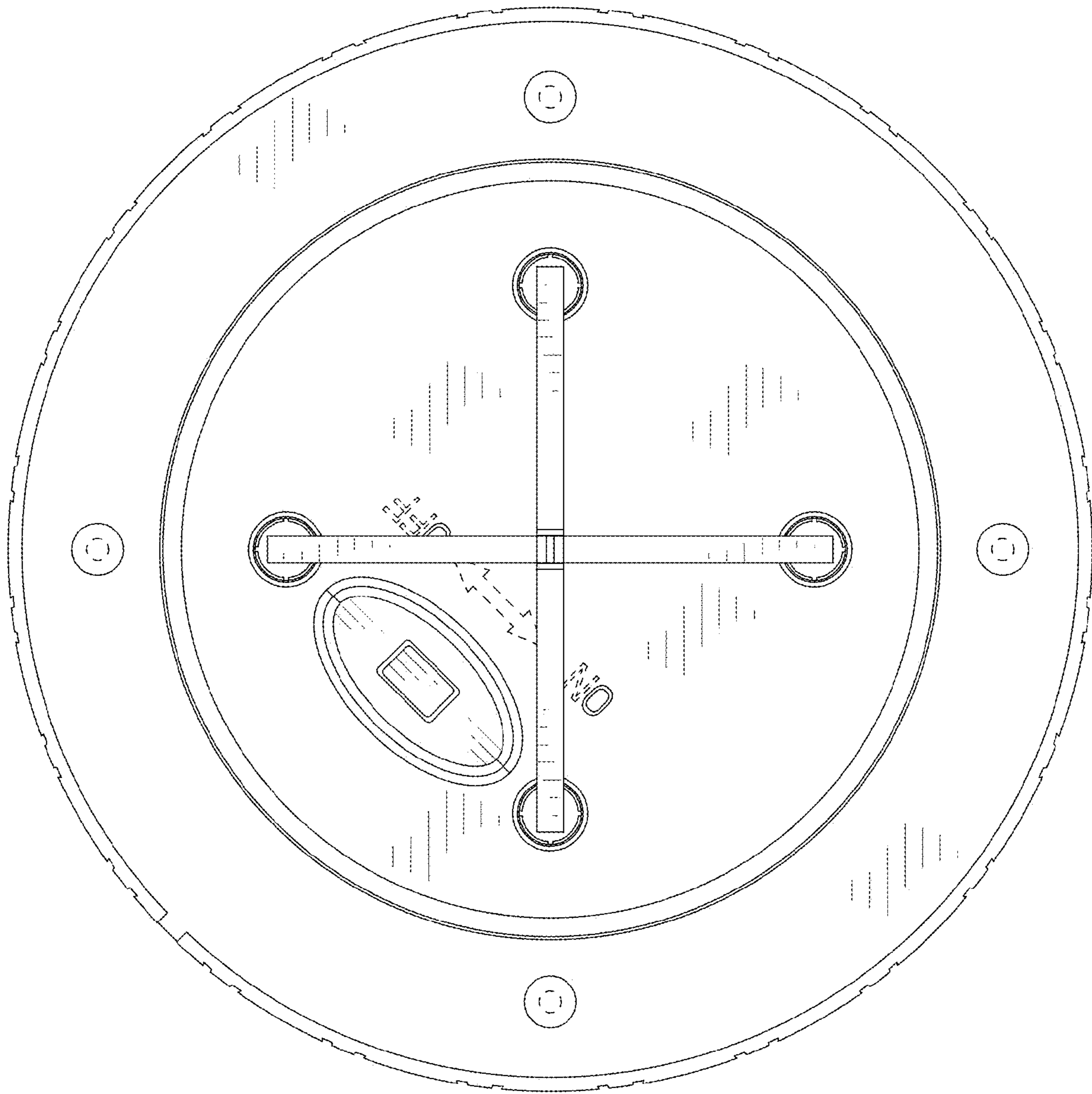


FIG. 7

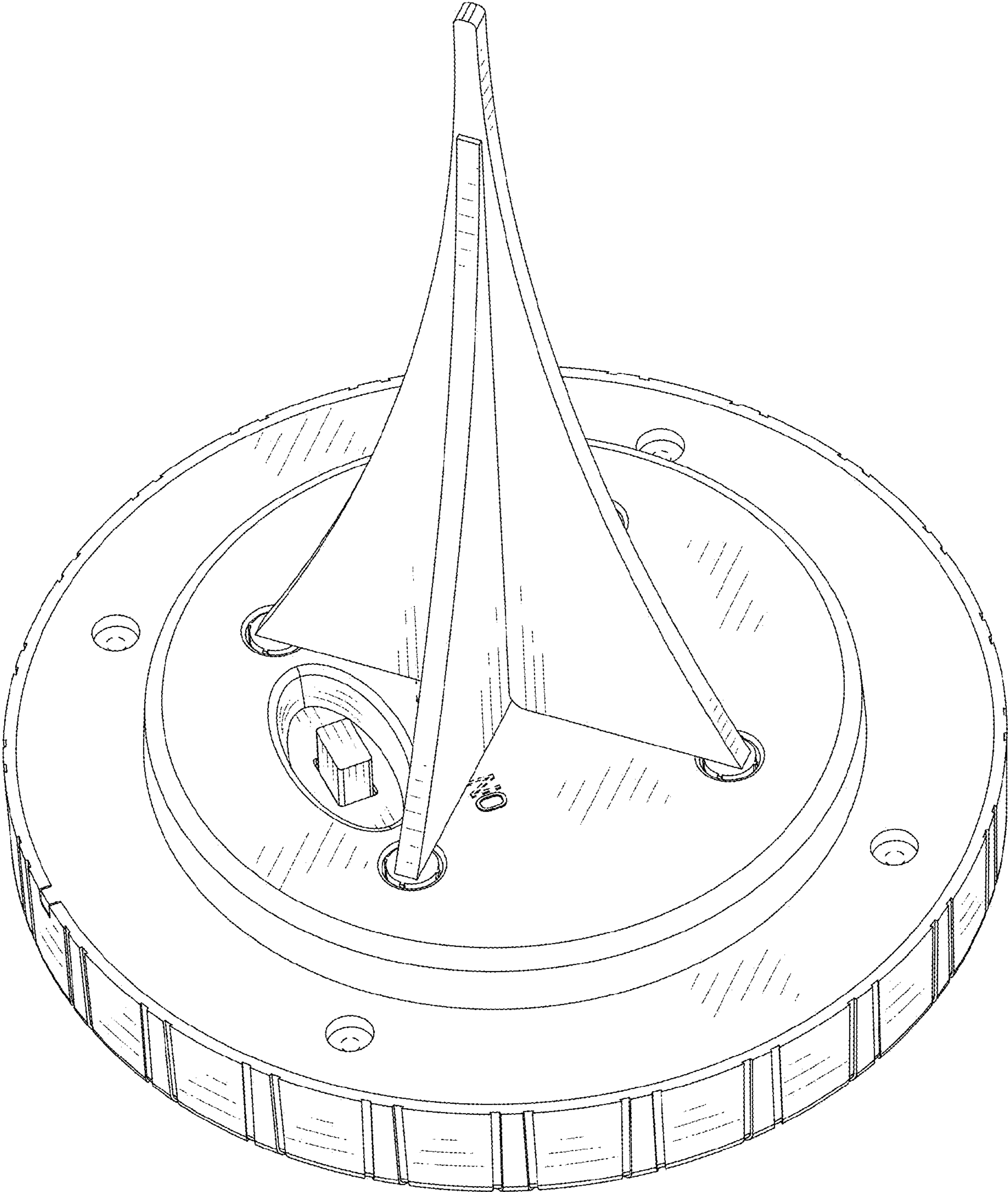


FIG. 8