



US00D930215S

(12) **United States Design Patent**
Qiu

(10) **Patent No.:** **US D930,215 S**

(45) **Date of Patent:** **** Sep. 7, 2021**

(54) **WORKING LAMP**

(71) Applicant: **NINGBO FUTAI ELECTRIC LIMITED**, Zhejiang (CN)

(72) Inventor: **Fujun Qiu**, Ningbo (CN)

(73) Assignee: **NINGBO FUTAI ELECTRIC LIMITED**, Zhejiang (CN)

(**) Term: **15 Years**

(21) Appl. No.: **29/732,028**

(22) Filed: **Apr. 21, 2020**

(51) **LOC (13) Cl.** **26-03**

(52) **U.S. Cl.**

USPC **D26/65**

(58) **Field of Classification Search**

USPC D26/61, 63, 64, 65

CPC F21V 17/02; F21V 21/28; F21V 21/26;

F21V 21/06; F21V 21/00; F21W 2131/30;

F21W 2131/10; F21S 8/024; F21S 6/003;

F21S 8/003; F21S 8/00; F21F 6/00

See application file for complete search history.

(56) **References Cited**

U.S. PATENT DOCUMENTS

8,721,120 B2 * 5/2014 Christ F21V 21/08
362/249.03

D763,492 S * 8/2016 Bryant D26/37

D849,975 S * 5/2019 Huang D26/63
D858,844 S * 9/2019 Fang D26/63
D880,743 S * 4/2020 Qiu D26/63
D896,425 S * 9/2020 Saboo D26/65
2019/0285257 A1 * 9/2019 Gall F21V 21/30

* cited by examiner

Primary Examiner — Brian N. Vinson

(74) *Attorney, Agent, or Firm* — Raymond Y. Chan;
David and Raymond Patent Firm

(57) **CLAIM**

The ornamental design for a working lamp, as shown and described.

DESCRIPTION

FIG. 1 is a front perspective view showing my new design;

FIG. 2 is a rear perspective view thereof;

FIG. 3 is a front view thereof;

FIG. 4 is a rear view thereof;

FIG. 5 is a left end view thereof;

FIG. 6 is a right end view thereof;

FIG. 7 is a top view thereof;

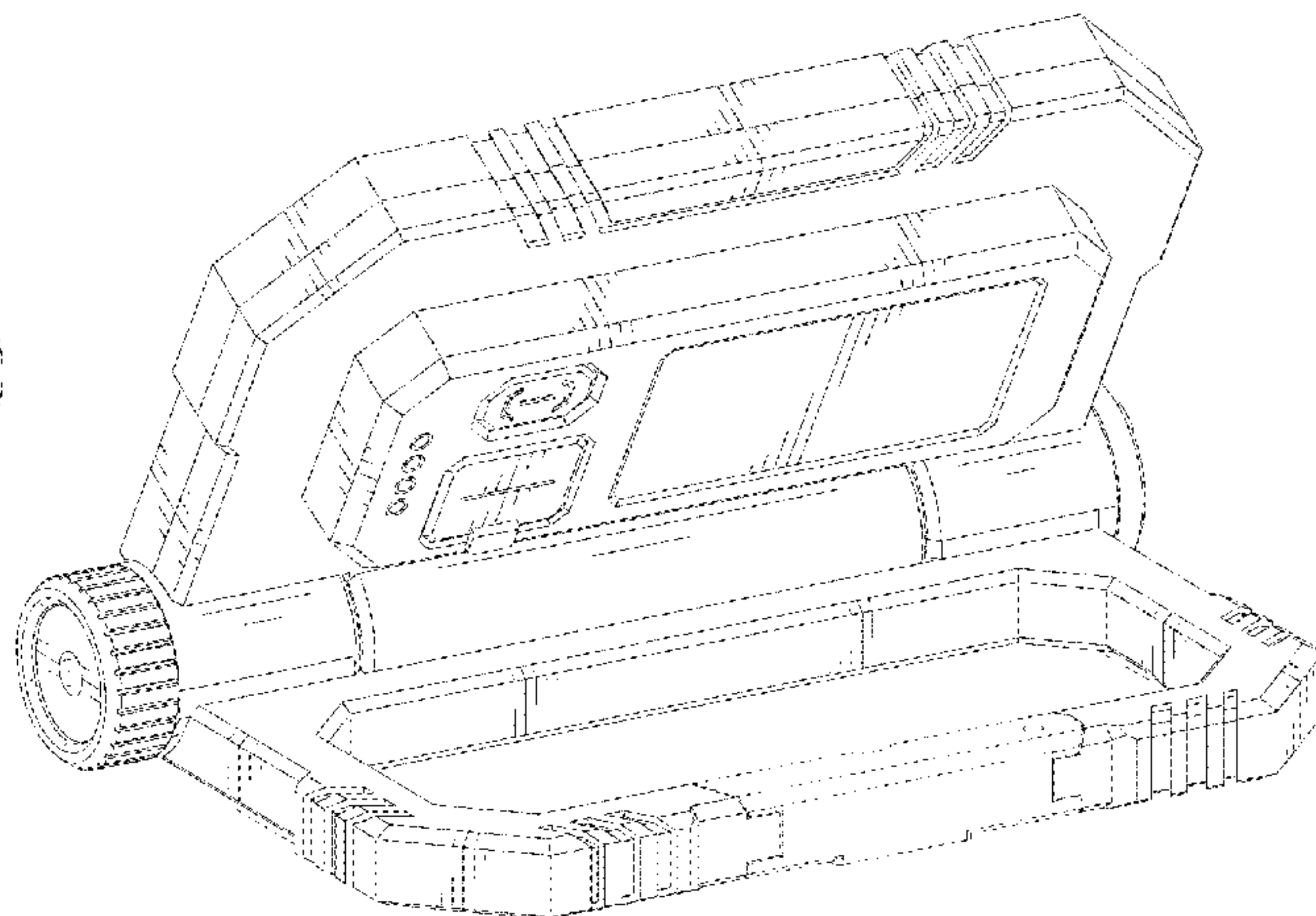
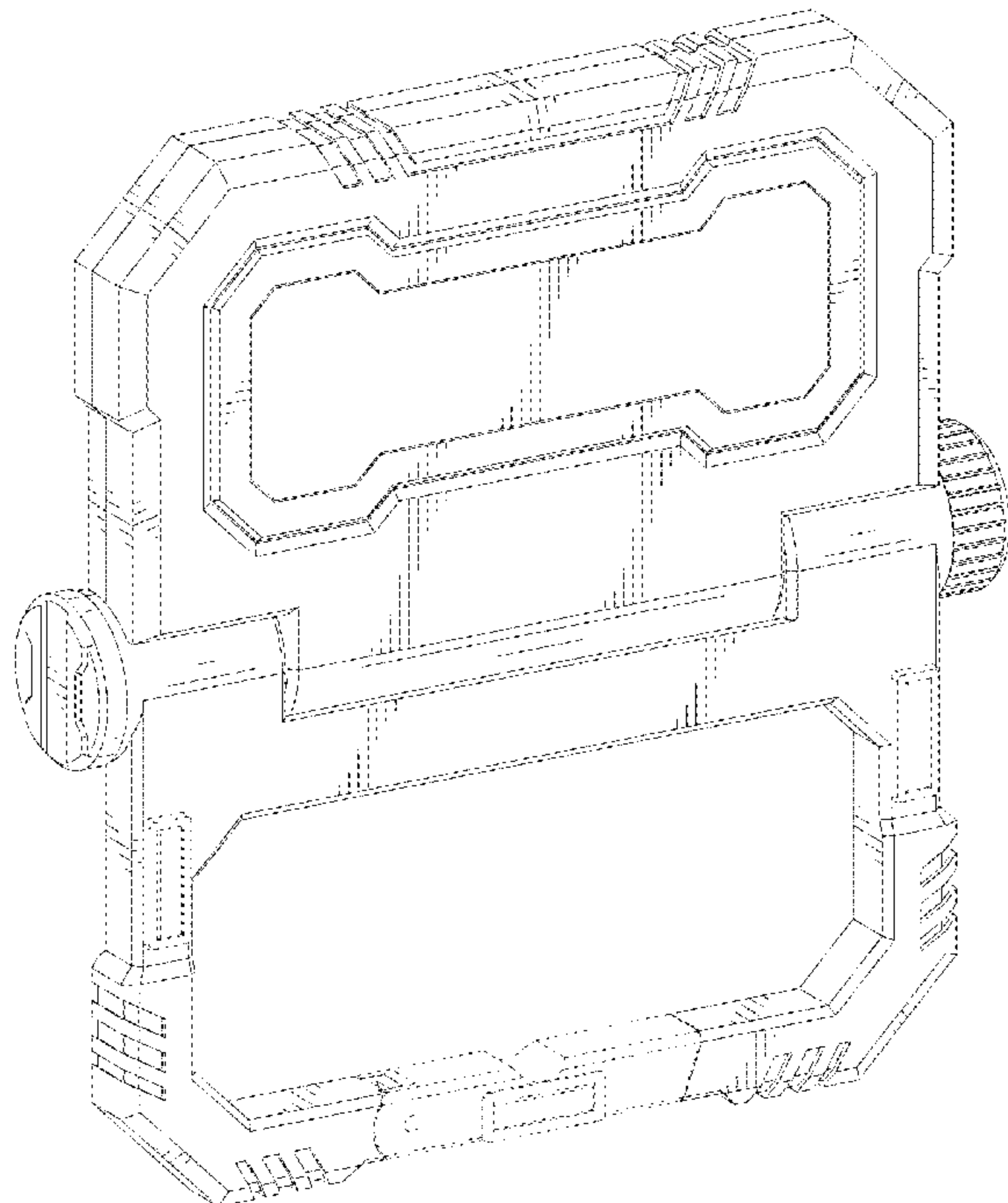
FIG. 8 is a bottom view thereof;

FIG. 9 is another front perspective view thereof; and,

FIG. 10 is a perspective view, in folded state, thereof.

The surface(s) or portion(s) of the article shown in broken lines in the drawing being for illustrative purposes only and forming no part of the claimed design.

1 Claim, 10 Drawing Sheets



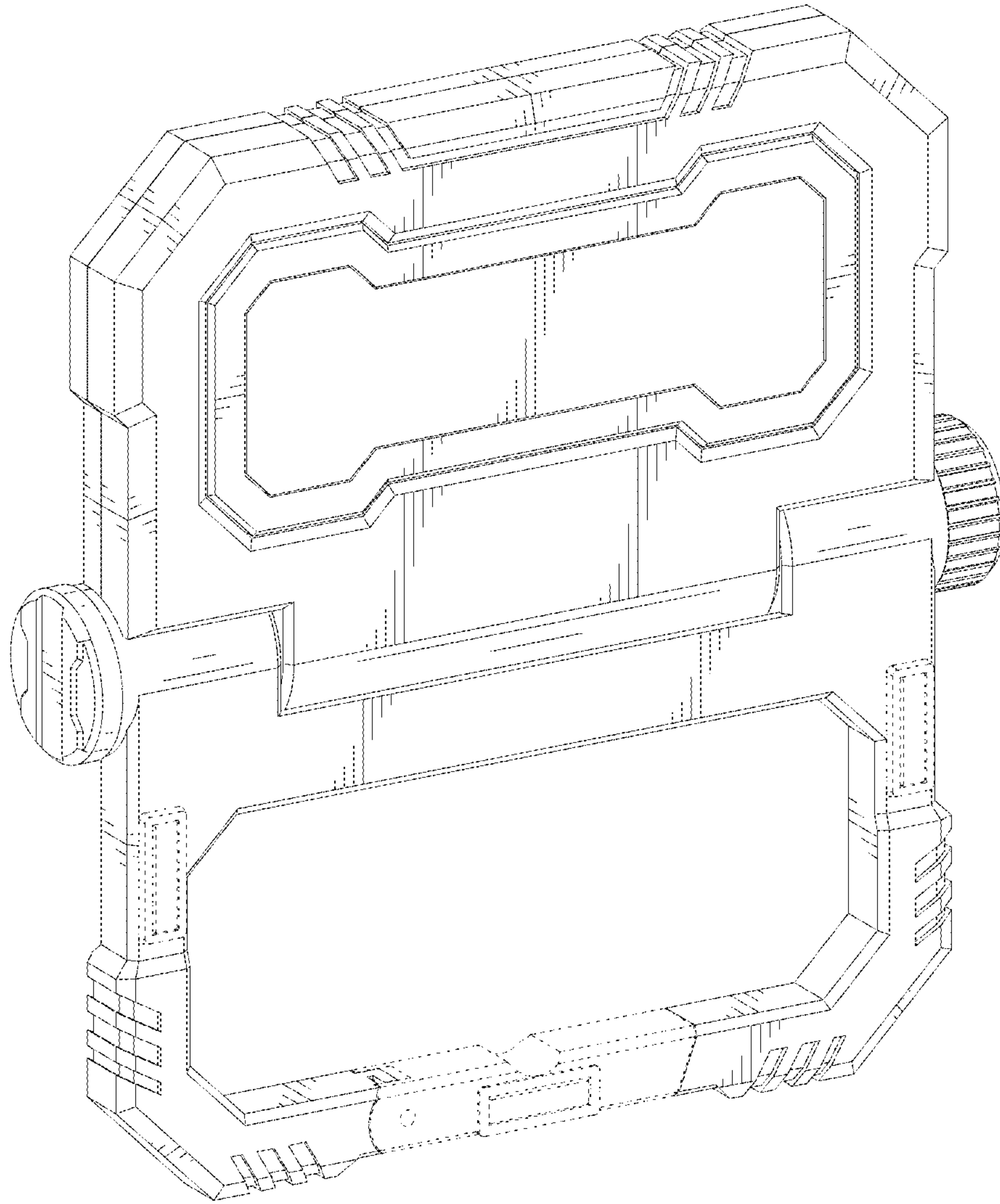


FIG.1

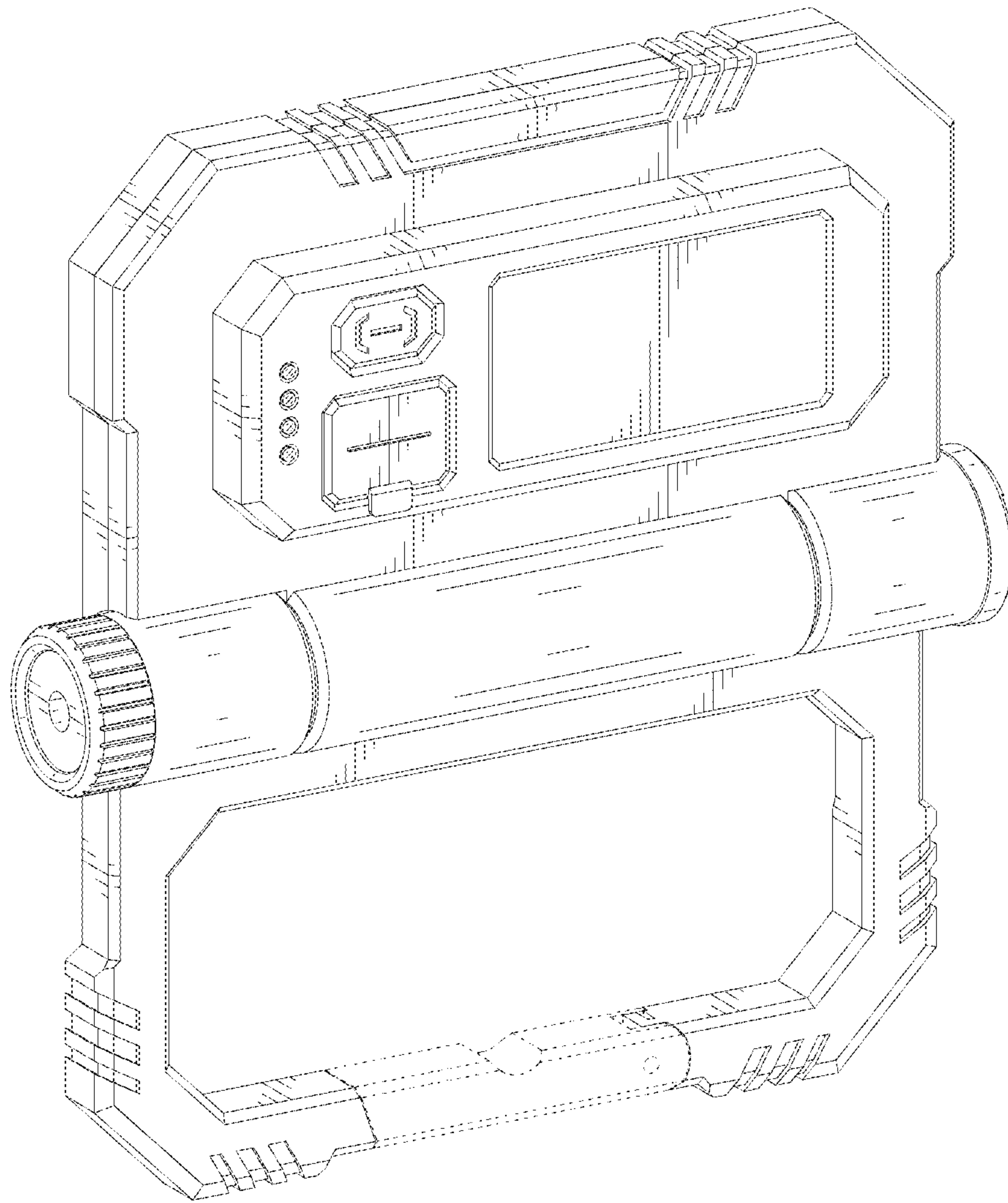


FIG.2

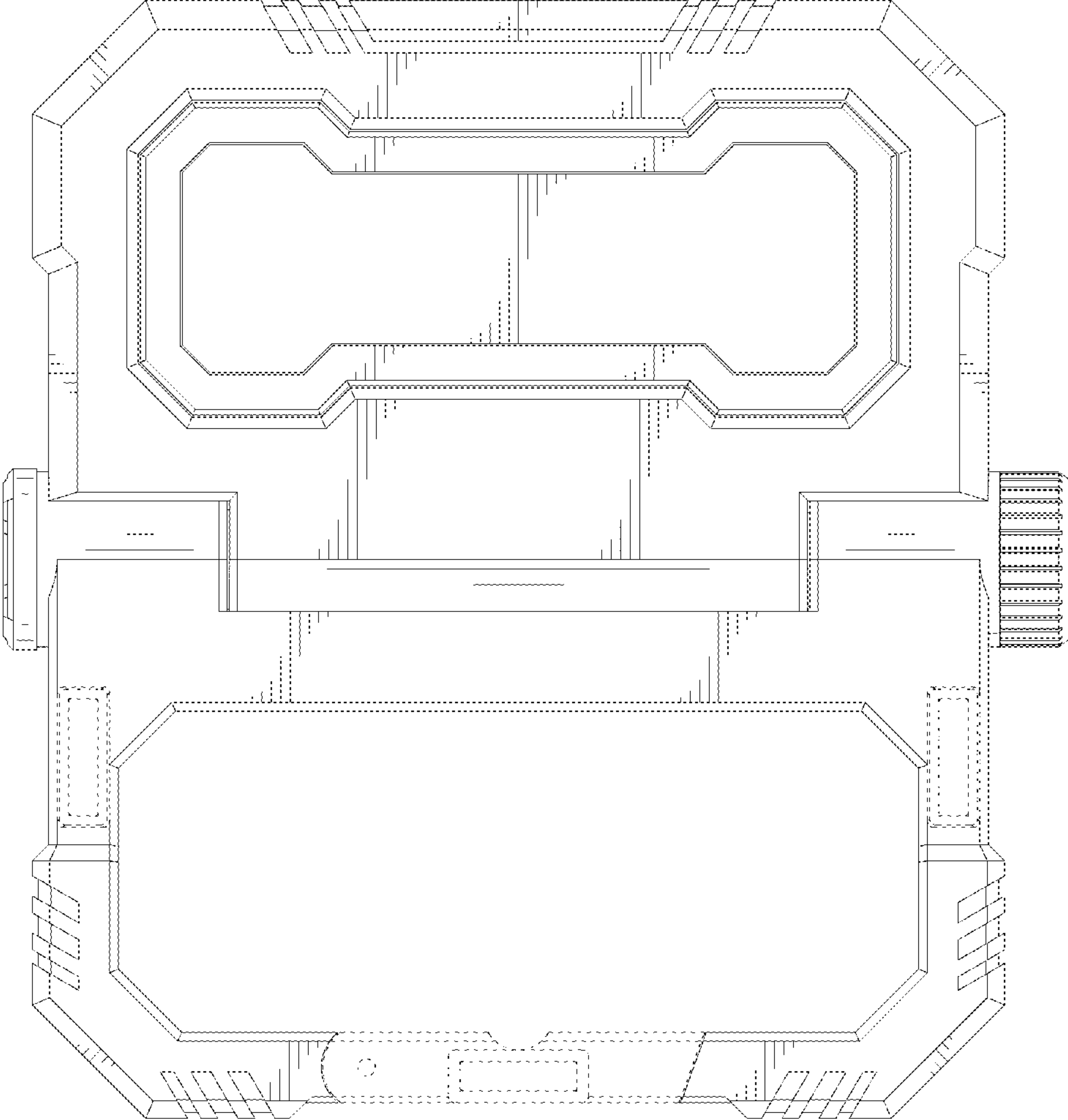


FIG.3

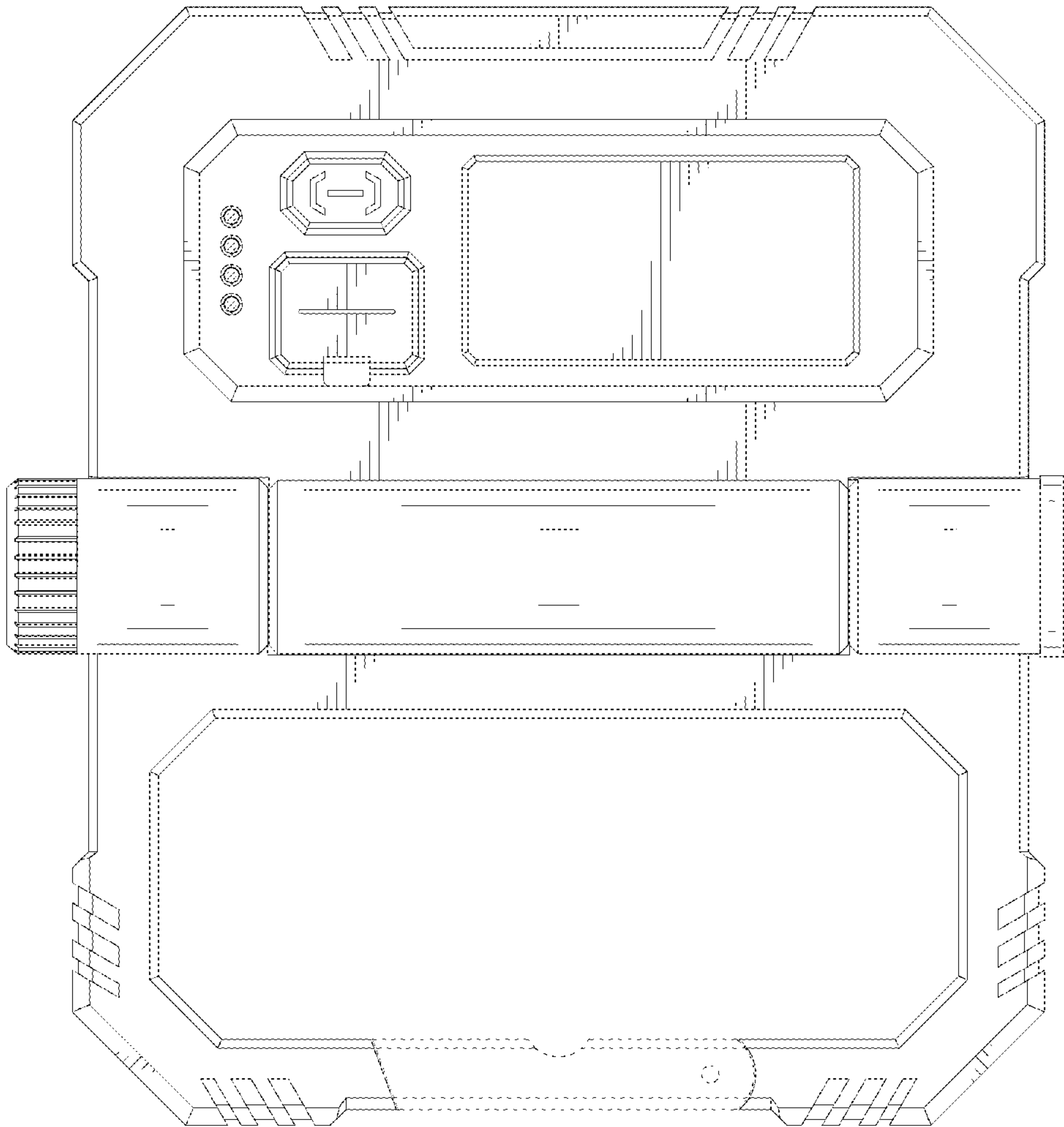


FIG.4

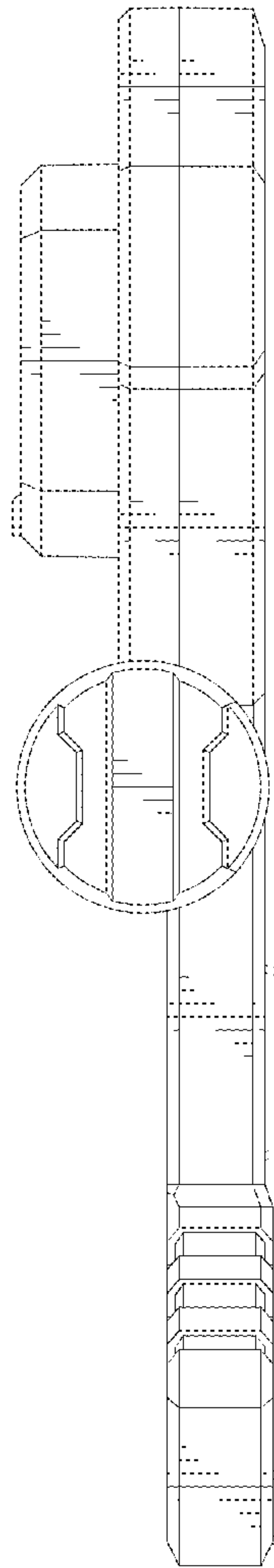


FIG.5

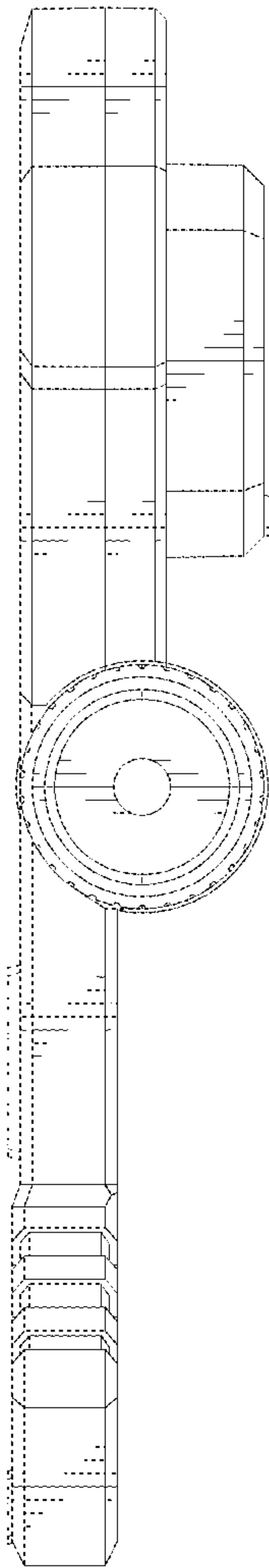


FIG.6

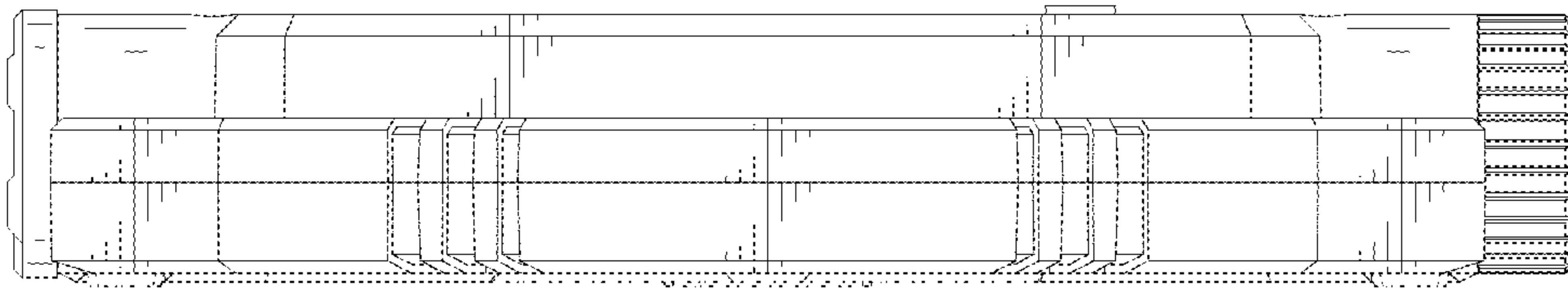


FIG.7

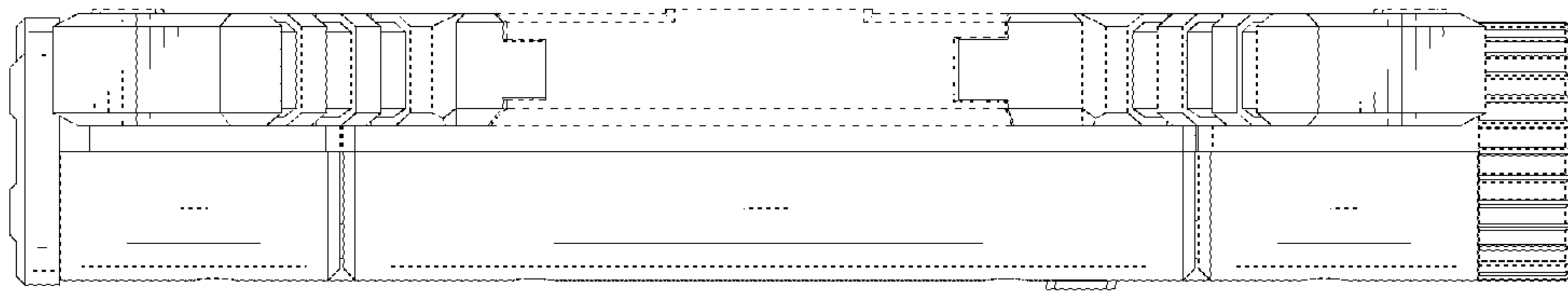


FIG.8

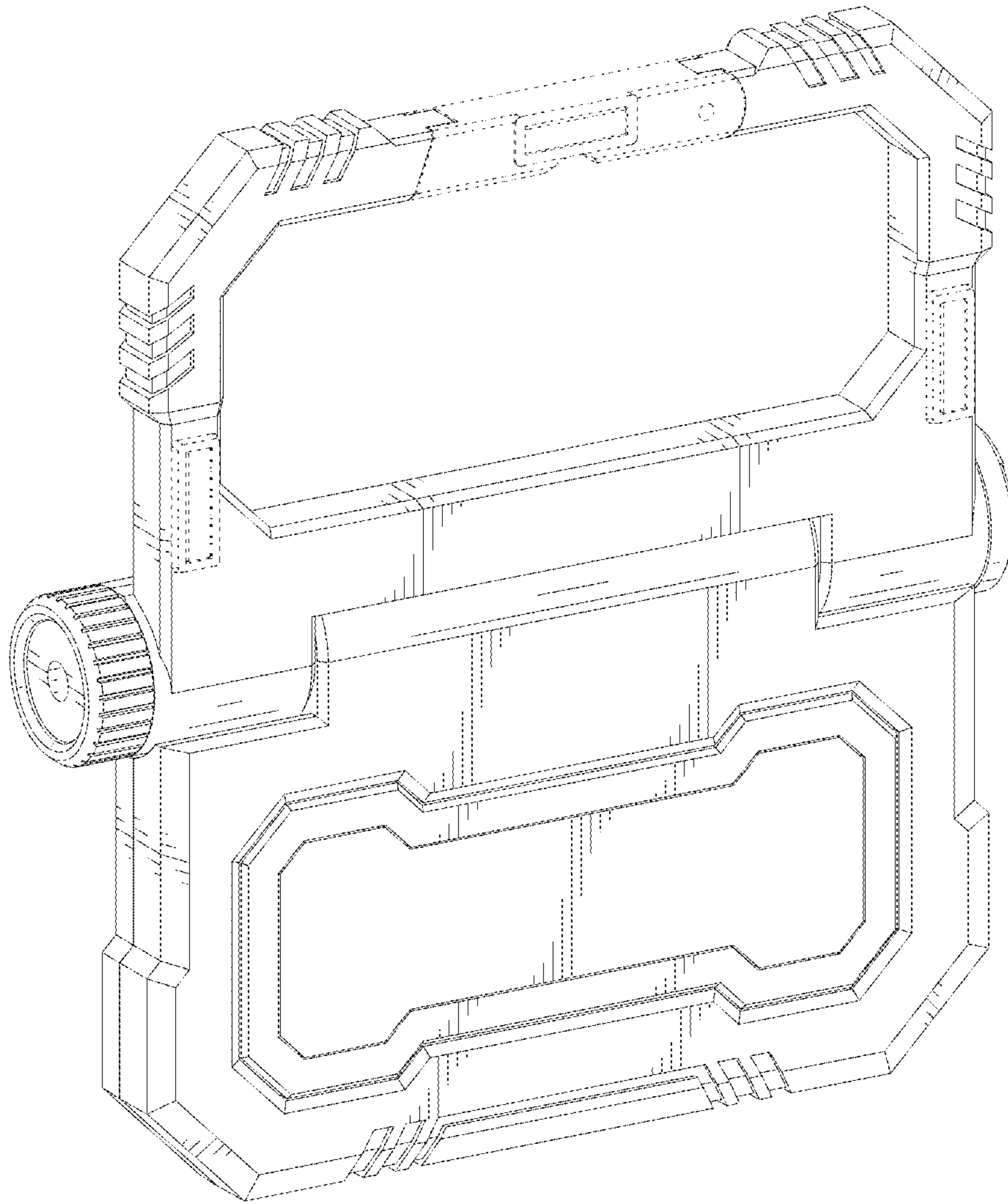


FIG.9

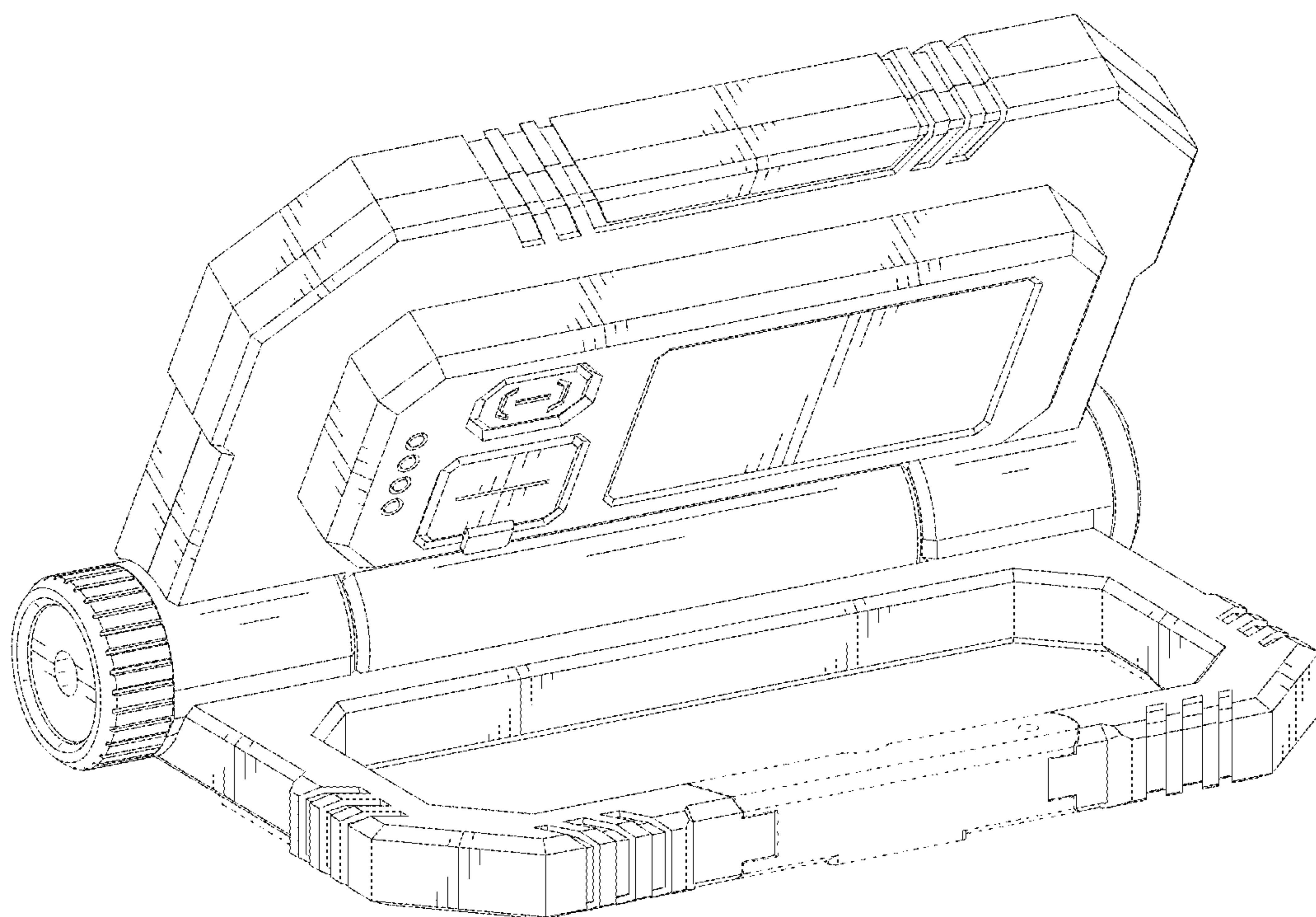


FIG.10