



US00D930214S

(12) **United States Design Patent**
Kallestrup

(10) **Patent No.: US D930,214 S**

(45) **Date of Patent: ** Sep. 7, 2021**

(54) **STAGE LIGHT**

(71) Applicant: **SGM Light A/S, Aarhus (DK)**

(72) Inventor: **Finn Kallestrup, Aarhus (DK)**

(**) Term: **15 Years**

(21) Appl. No.: **35/509,313**

(22) Filed: **Mar. 4, 2020**

(80) **Hague Agreement Data**

Int. Filing Date: **Mar. 4, 2020**

Int. Reg. No.: **DM/207700**

Int. Reg. Date: **Mar. 4, 2020**

Int. Reg. Pub. Date: **May 8, 2020**

(51) **LOC (13) Cl. 26-05**

(52) **U.S. Cl.**
USPC **D26/63**

(58) **Field of Classification Search**
USPC D26/60, 61, 63-65, 68, 72, 75, 84, 87,
D26/88, 93, 106

CPC F21V 21/15; F21V 21/28; F21V 21/30;
F21S 10/00; F21S 10/005; F21S 10/0007;
F21S 10/02; F21S 10/026

See application file for complete search history.

(56) **References Cited**

U.S. PATENT DOCUMENTS

5,515,254	A *	5/1996	Smith	F21V 29/67 362/293
D388,525	S *	12/1997	Lowell	D26/63
D620,187	S *	7/2010	Quadri	D26/113
D639,983	S *	6/2011	Quadri	D26/65
D693,500	S *	11/2013	Souvay	D26/51
D735,388	S *	7/2015	Schlegel	D26/63
D788,963	S *	6/2017	Peard	D26/61
D789,581	S *	6/2017	Peard	D26/61
D789,582	S *	6/2017	Peard	D26/61
D845,530	S *	4/2019	Yu	D26/63
D885,628	S *	5/2020	Amin	D26/63

D886,348	S *	6/2020	Liu	D26/63
D886,352	S *	6/2020	Hu	D26/63
10,724,708	B2 *	7/2020	Peard	F21V 13/02
D894,460	S *	8/2020	Yu	D26/63
D910,896	S *	2/2021	Zhan	D26/63
D911,566	S *	2/2021	Lv	D26/63
2008/0062692	A1 *	3/2008	Andersen	F21V 29/75 362/275
2011/0261568	A1 *	10/2011	Dalsgaard	F21V 21/30 362/249.03

(Continued)

FOREIGN PATENT DOCUMENTS

WO RGN-D207700-001 * 5/2020

OTHER PUBLICATIONS

Vari-Lite VL6000 Beamlight (available online Sep. 26, 2017)
Retrieved from the internet Apr. 12, 2021 from URL: <https://www.production-partner.de/test/vari-lite-vl6000-beamlight-im-test/>.*

(Continued)

Primary Examiner — Kevin K Rudzinski

Assistant Examiner — Richard Kearney

(57) **CLAIM**

The ornamental design for a stage light, as shown and described.

DESCRIPTION

1. Stage light

1.1 : is a perspective view of our new design for a stage light.

1.2 : is a front view of **1.1**.

1.3 : is a back view of **1.1**.

1.4 : is a left view of **1.1**.

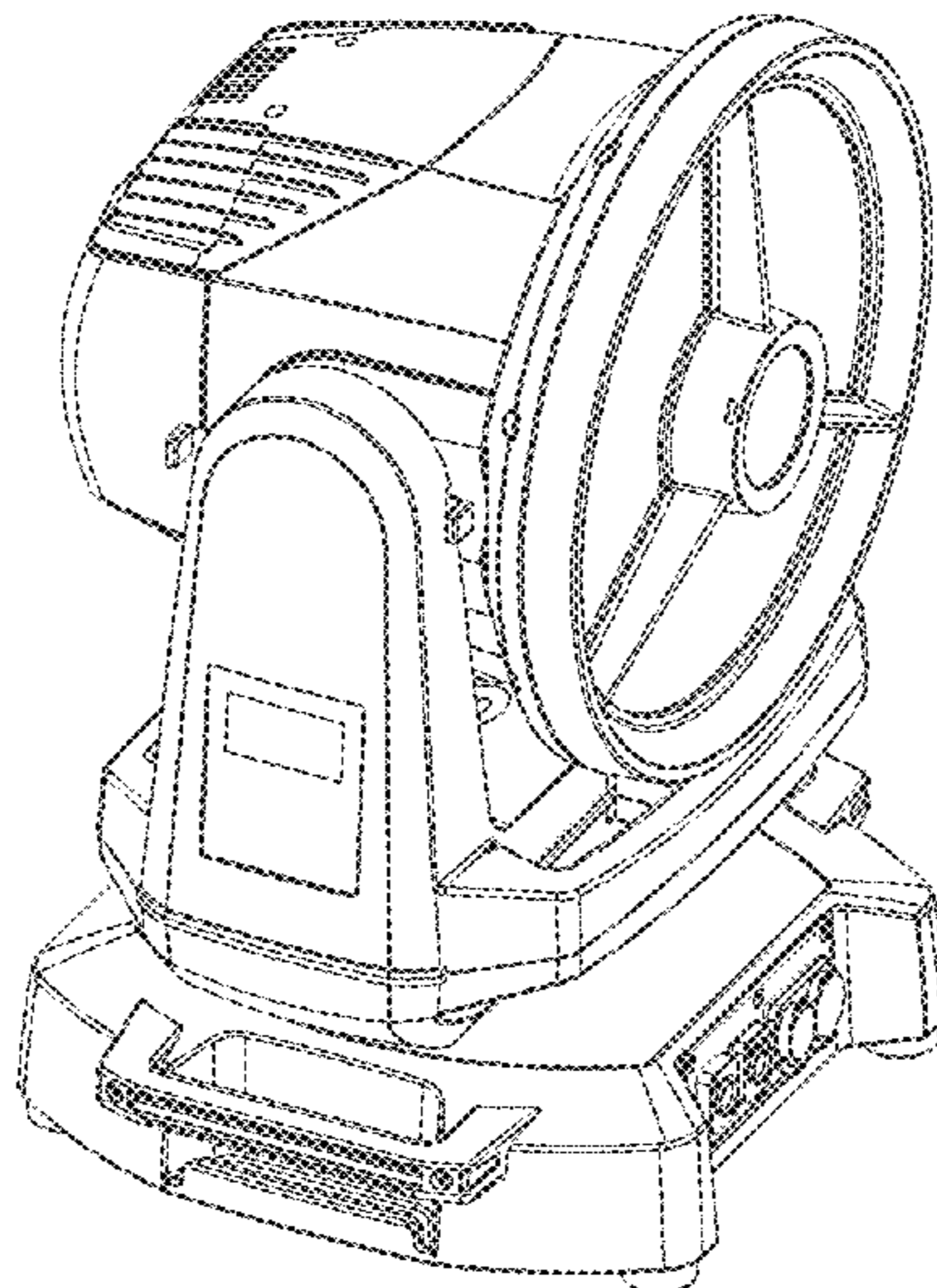
1.5 : is a right view of **1.1**.

1.6 : is a top view of **1.1**.

1.7 : is a bottom view of **1.1**.

The features shown in broken lines in the drawing depict environmental subject matter and form no part of the claimed design.

1 Claim, 7 Drawing Sheets



(56)

References Cited

U.S. PATENT DOCUMENTS

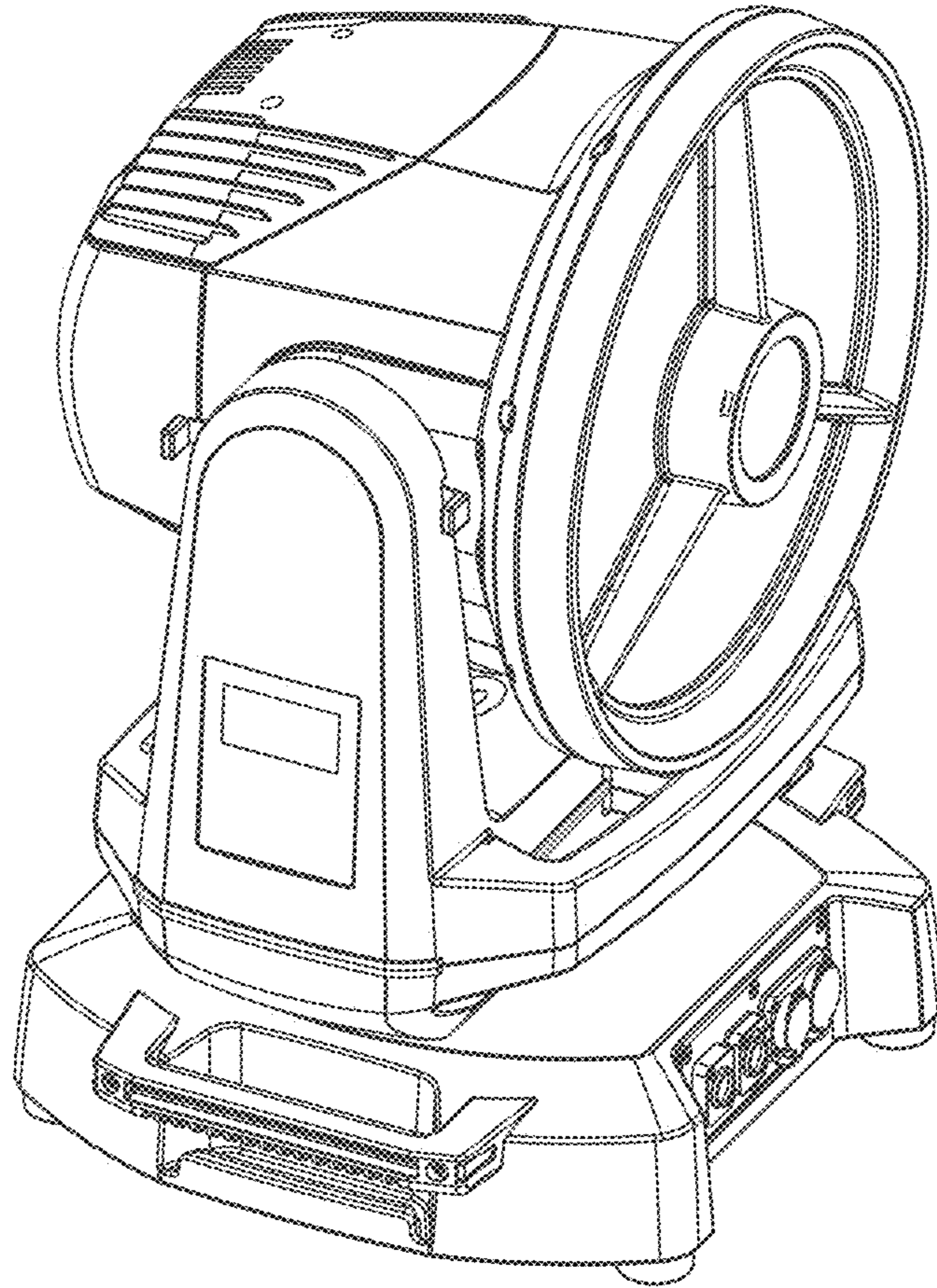
2016/0178165 A1* 6/2016 Quadri F21V 5/007
362/232
2018/0156430 A1* 6/2018 Johansen F21V 21/15
2018/0356081 A1* 12/2018 Jiang F21S 10/00
2019/0056096 A1* 2/2019 Jurik F21V 19/04
2019/0120468 A1* 4/2019 Peard F21V 14/02

OTHER PUBLICATIONS

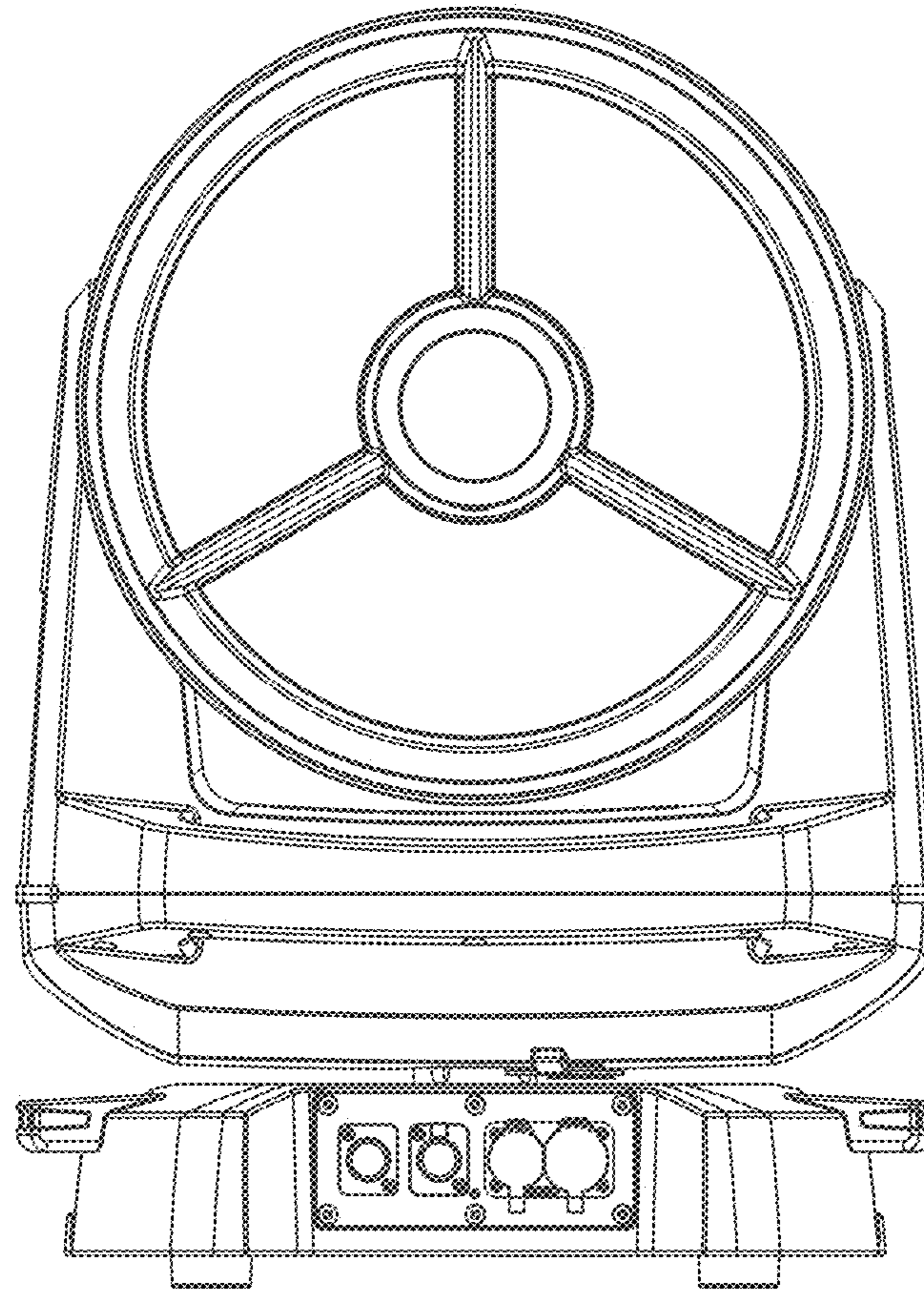
G7 Beast LED moving head (available online) Retrieved from the internet Apr. 12, 2021 from URL: <https://sgmlight.com/products/entertainment/g%C2%B7-beast>.*

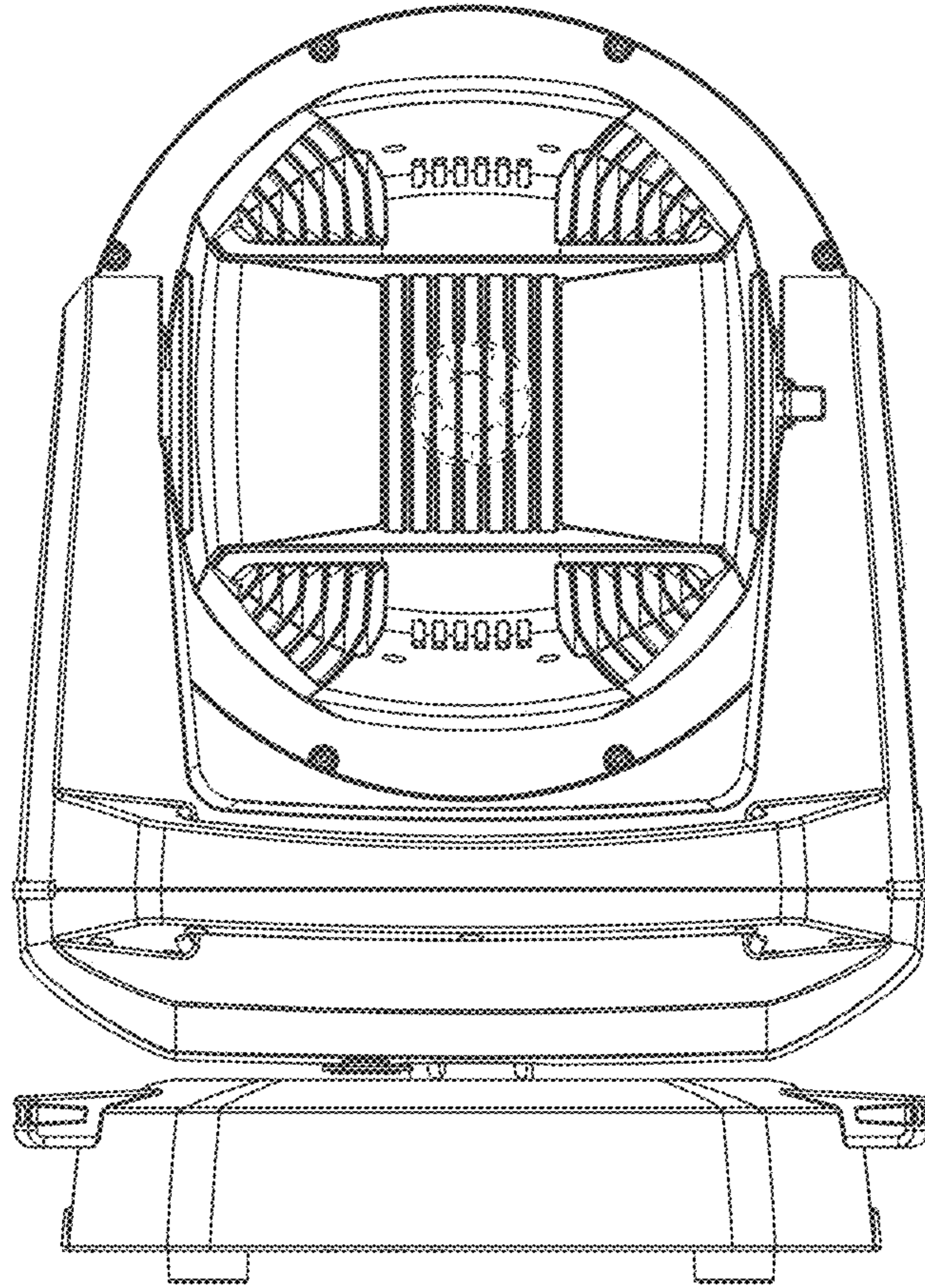
Signify Holding, VL6000 Beam, Datasheet of beam fixture, 2018, Published online at <https://www.vari-lite.com/b-dam/vari-lite/products/vl6000-beam/datasheet/VL6000-Beam-ds.pdf>.

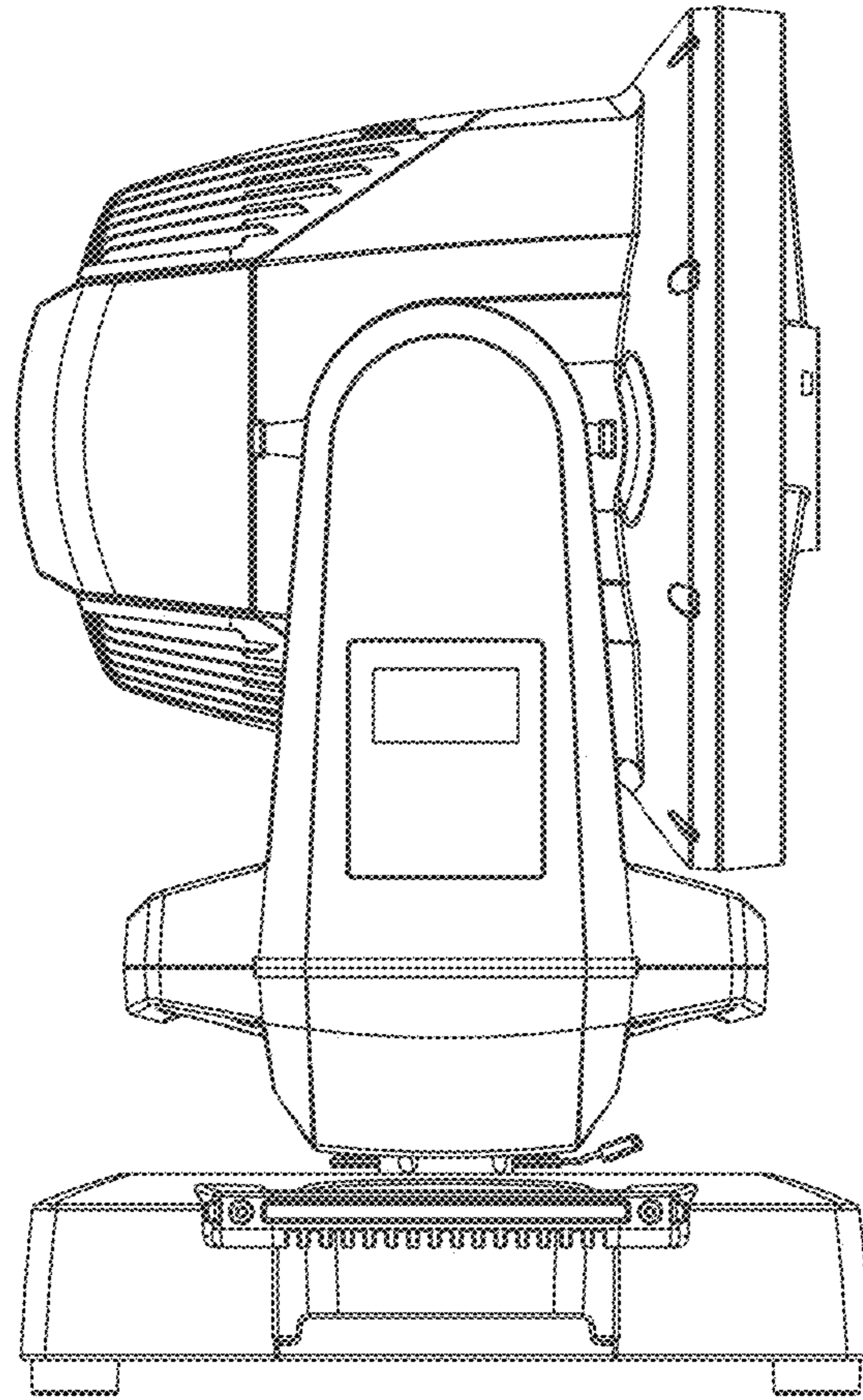
* cited by examiner

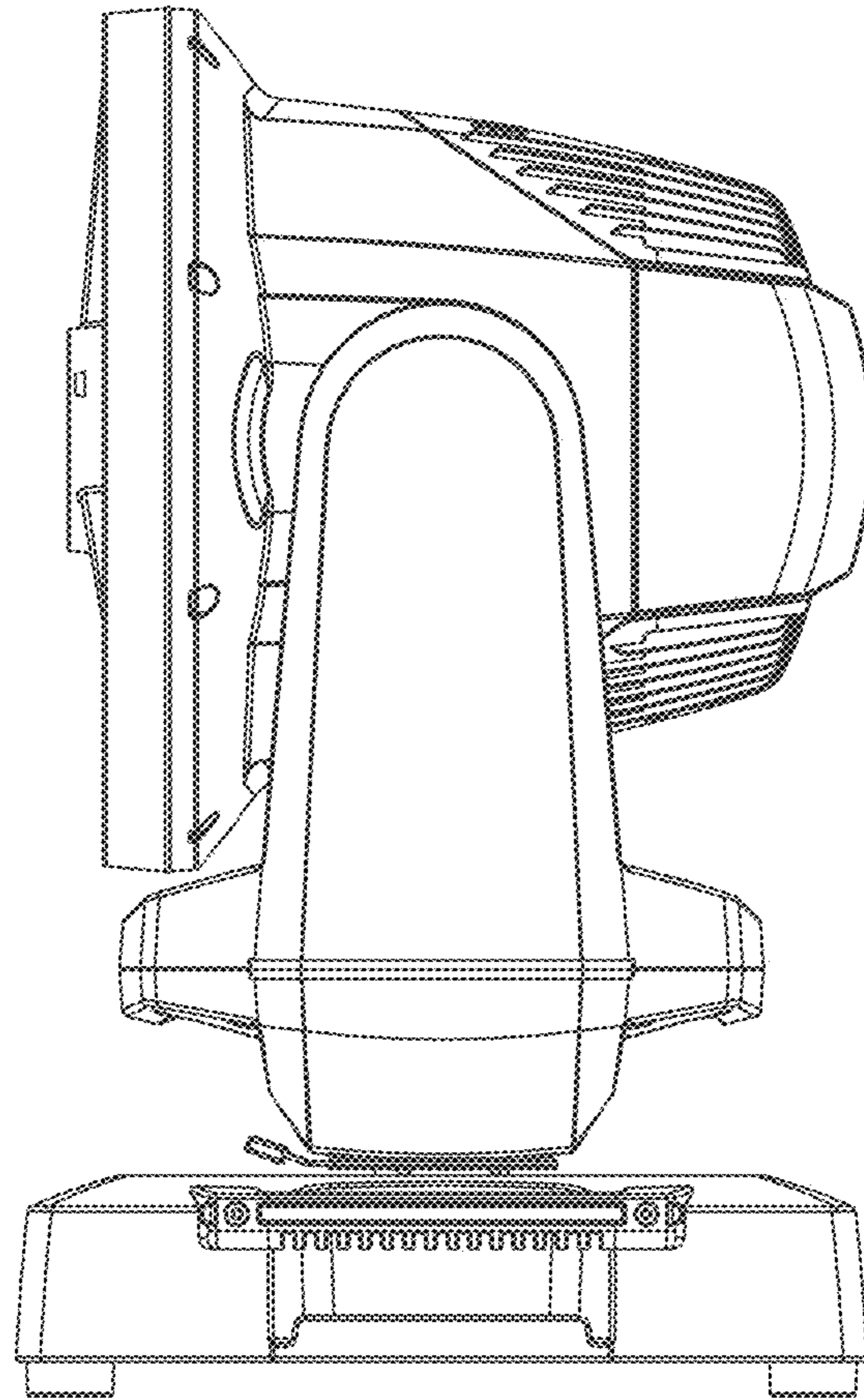


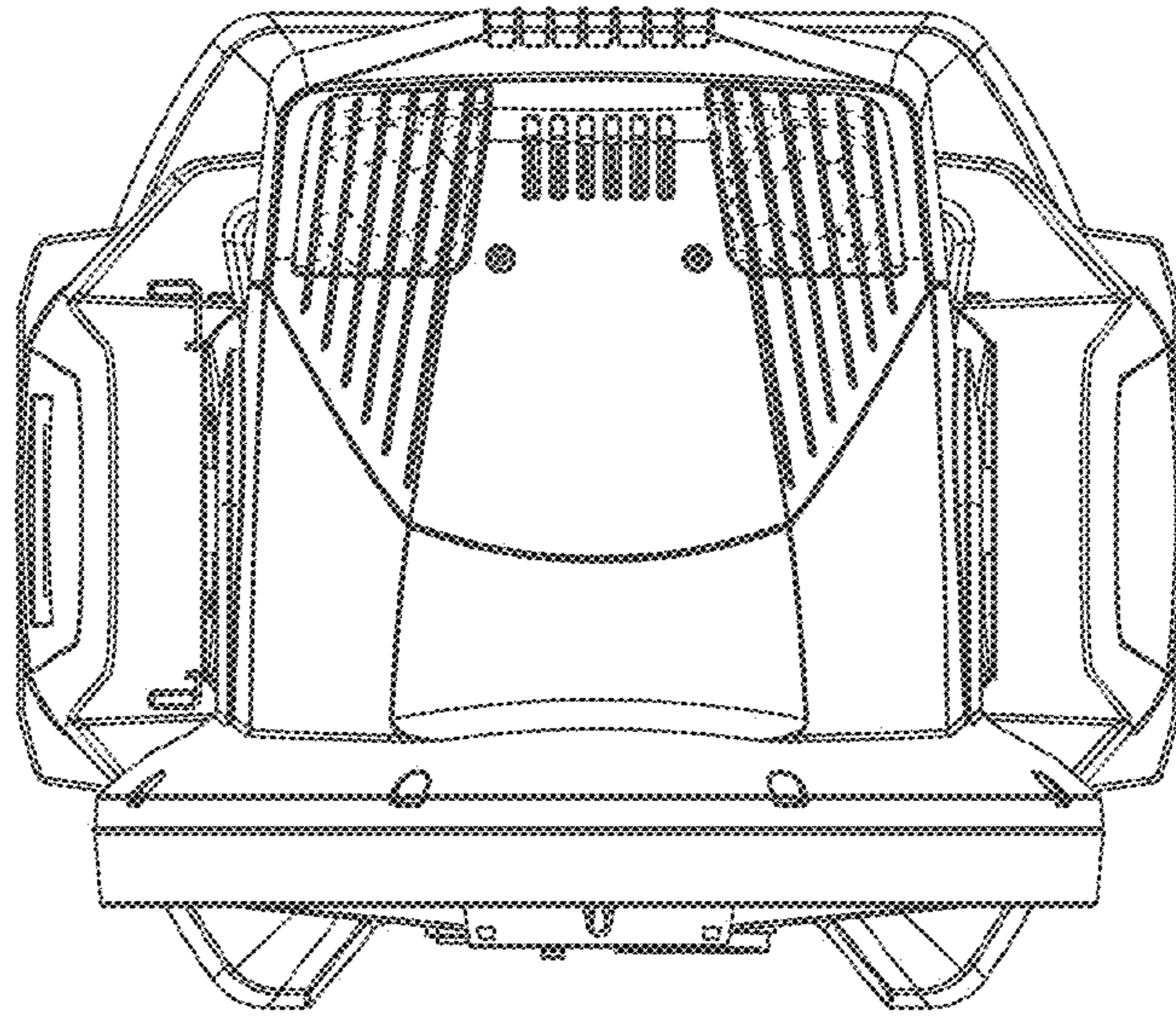
1.1











1.6

