



US00D930213S

(12) **United States Design Patent**  
**Song**

(10) **Patent No.:** **US D930,213 S**

(45) **Date of Patent:** **\*\* Sep. 7, 2021**

(54) **6 HOLE LED LASER LIGHT**

(71) Applicant: **Yulei Song**, Baofeng County (CN)

(72) Inventor: **Yulei Song**, Baofeng County (CN)

(\*\*) Term: **15 Years**

(21) Appl. No.: **29/764,322**

(22) Filed: **Dec. 29, 2020**

(51) **LOC (13) Cl.** ..... **26-03**

(52) **U.S. Cl.**  
USPC ..... **D26/63**

(58) **Field of Classification Search**  
USPC ..... D26/24, 51, 61, 63, 72, 80  
CPC ..... F21S 8/04; F21S 8/00; F21W 2131/10;  
F21V 21/00; F21V 21/26; F21V 21/14;  
F21V 17/02; F21V 21/30  
See application file for complete search history.

(56) **References Cited**

**U.S. PATENT DOCUMENTS**

D302,594 S	*	8/1989	Charet	.....	D26/60
D693,509 S		11/2013	Hosick et al.		
D712,581 S	*	9/2014	Scarlata	.....	D26/65
D781,480 S		3/2017	Zhan		
D782,718 S		3/2017	Ko		
D814,679 S		4/2018	Pan et al.		
D834,231 S	*	11/2018	Yu	.....	D26/63

D838,025 S		1/2019	Yu		
D846,171 S		4/2019	Zhu		
D858,840 S		9/2019	Deng		
D880,742 S		4/2020	Li et al.		
D893,788 S	*	8/2020	Li	.....	D26/63
D901,058 S		11/2020	Li		
D903,917 S		12/2020	Pietschmann		
D911,569 S	*	2/2021	Lv	.....	D26/63
D915,651 S	*	4/2021	Tan	.....	D26/63

\* cited by examiner

*Primary Examiner* — Brian N. Vinson

(74) *Attorney, Agent, or Firm* — Xiaofang Zhong; Law Office of Xiaofang Zhong, PLLC

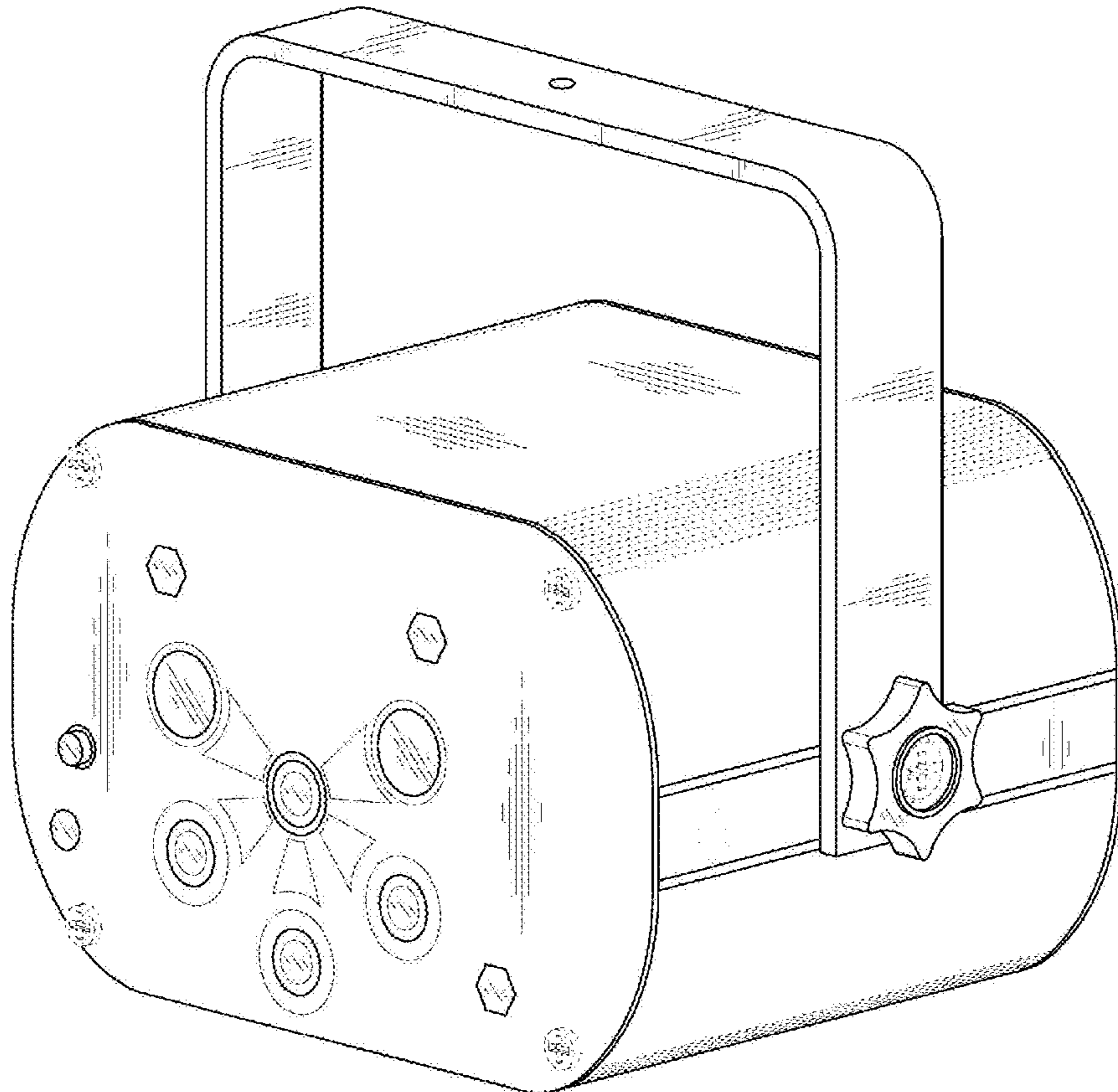
(57) **CLAIM**

The ornamental design for a 6 hole LED laser light, as shown and described.

**DESCRIPTION**

FIG. 1 is a perspective view of a 6 hole LED laser light showing my new design;  
FIG. 2 is a front elevational view thereof;  
FIG. 3 is a back elevational view thereof;  
FIG. 4 is a left-side elevational view thereof;  
FIG. 5 is a right-side elevational view thereof;  
FIG. 6 is a top plan view thereof; and,  
FIG. 7 is a bottom plan view thereof.  
The broken lines in the drawings depict part of the 6 hole LED laser light that form no part of the claimed design.

**1 Claim, 7 Drawing Sheets**



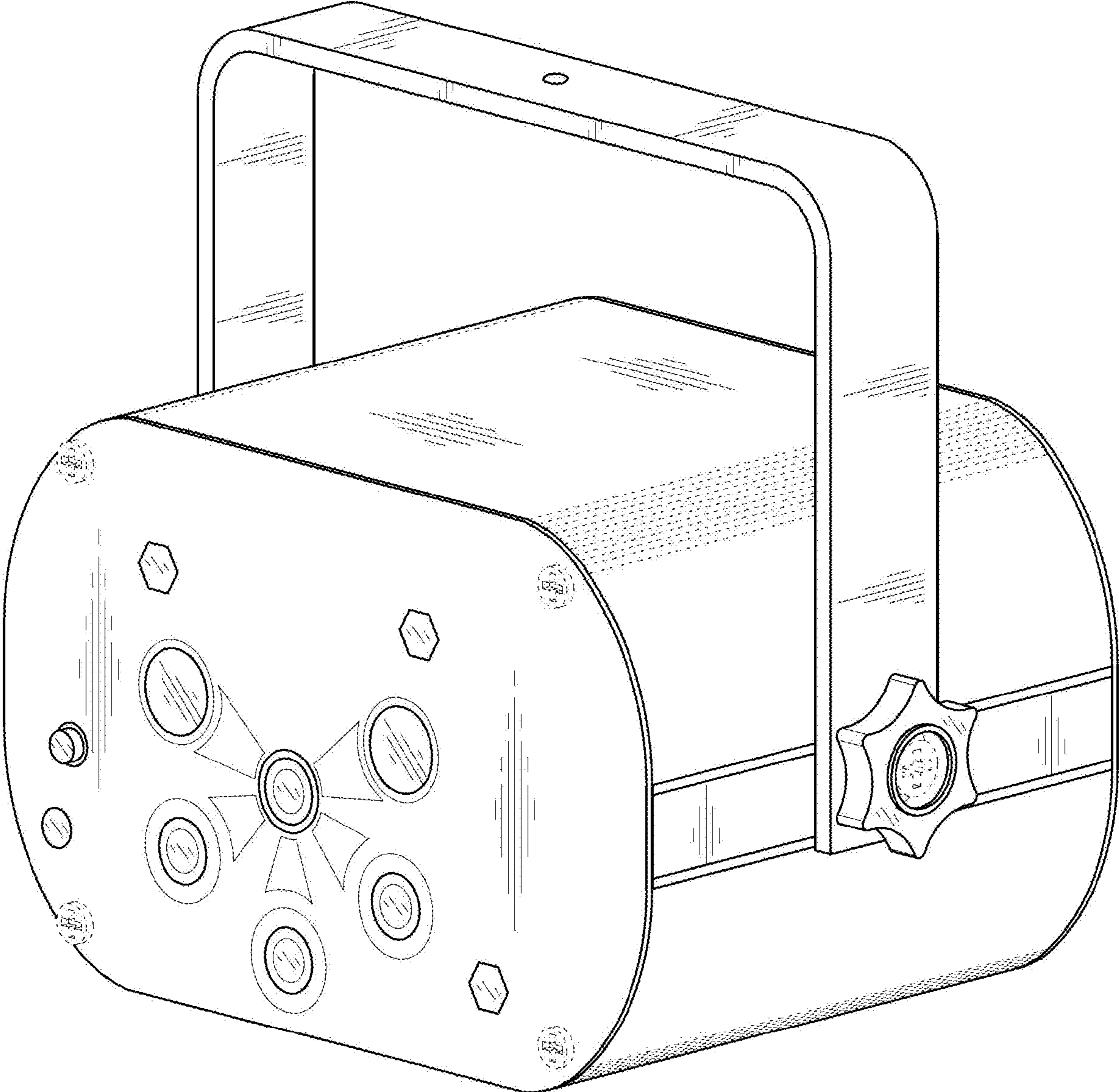


FIG. 1

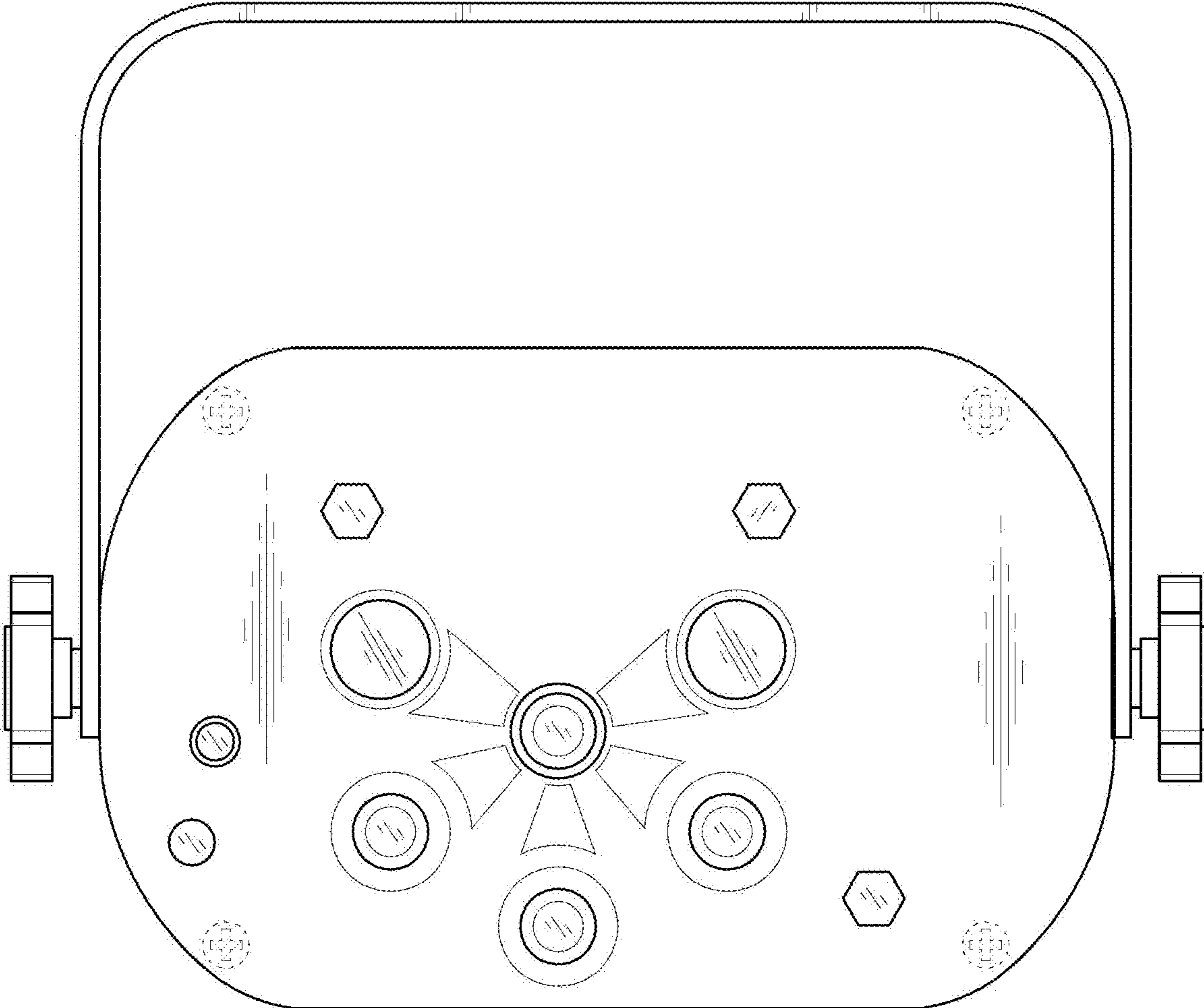


FIG. 2

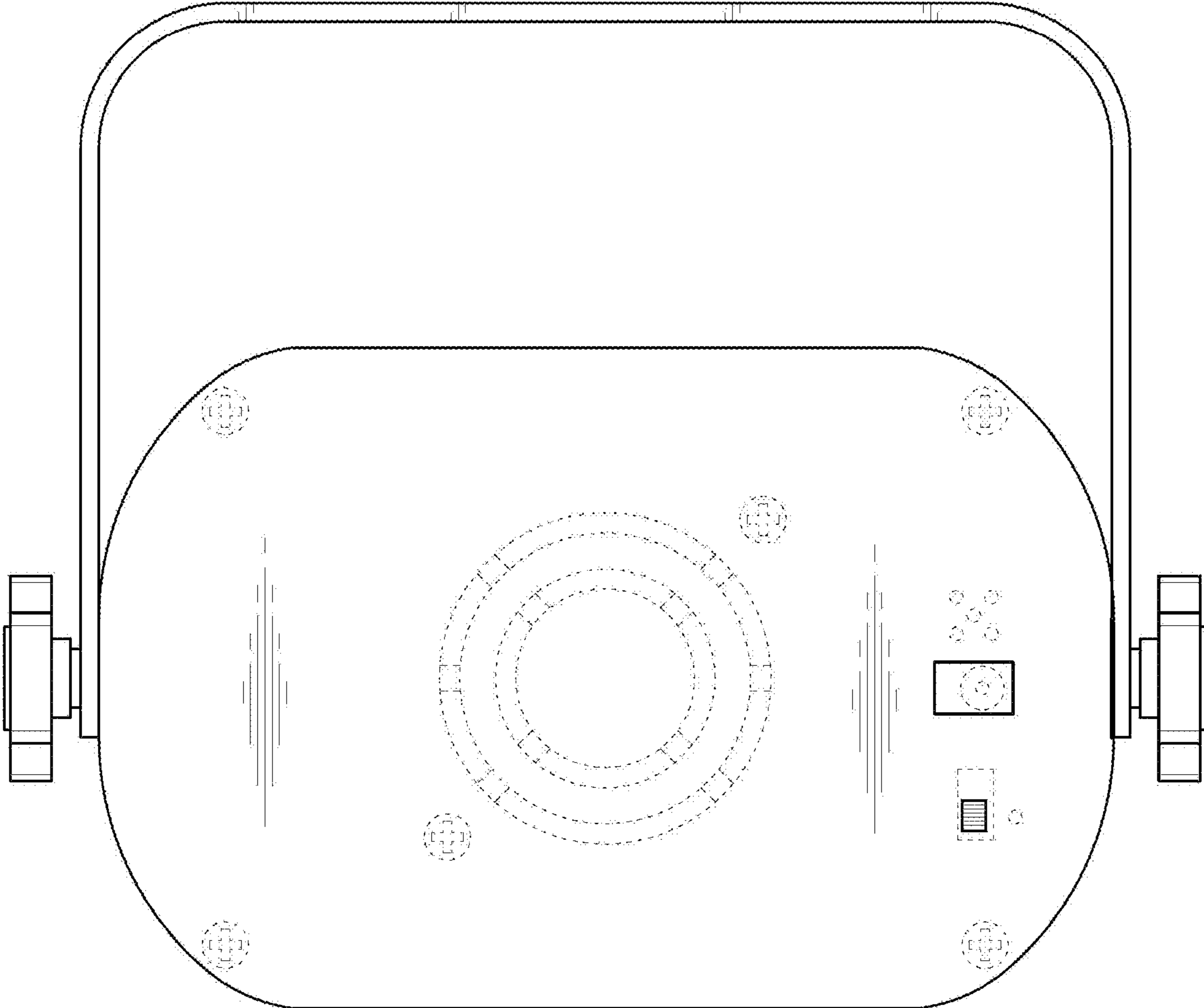


FIG. 3

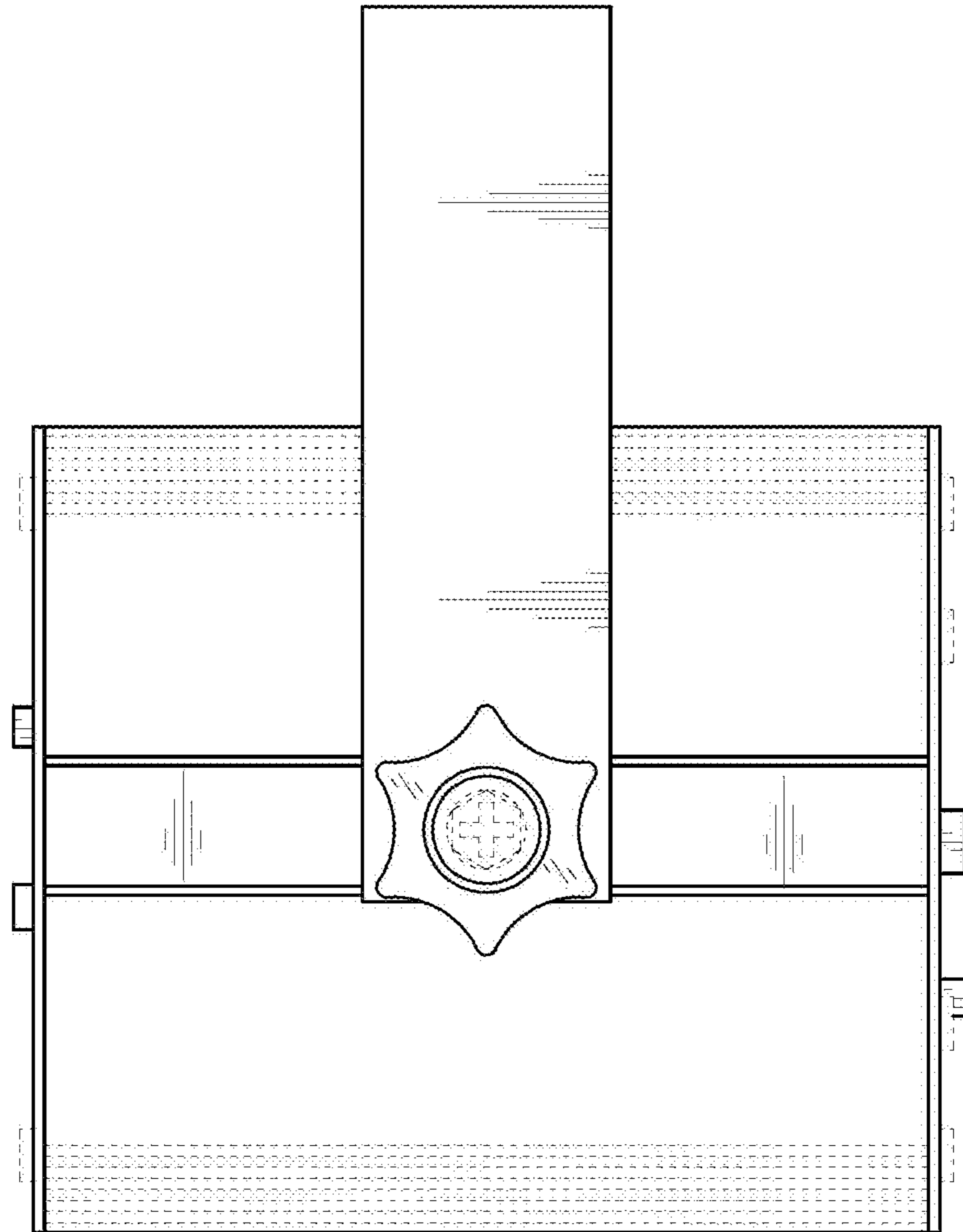


FIG. 4

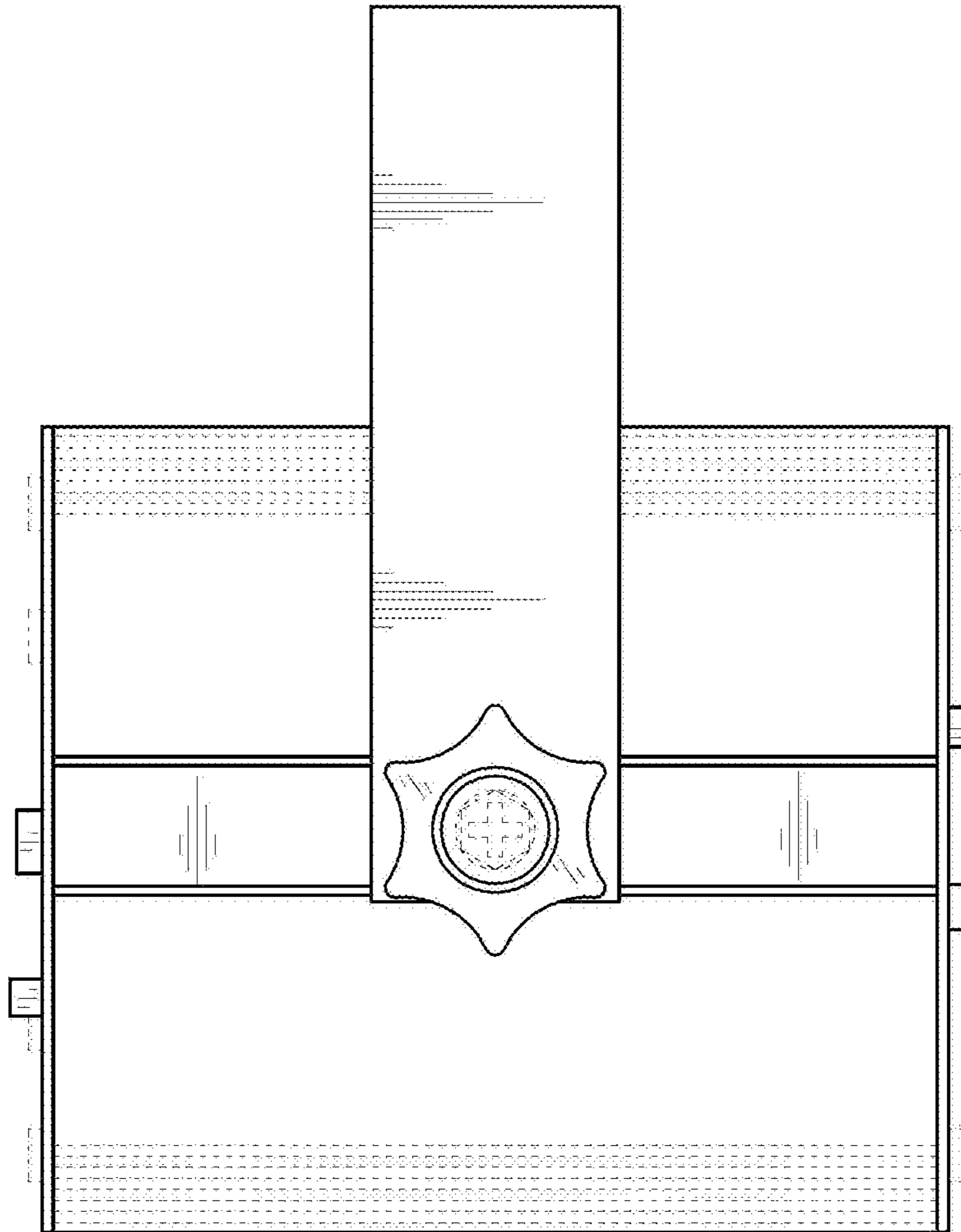


FIG. 5

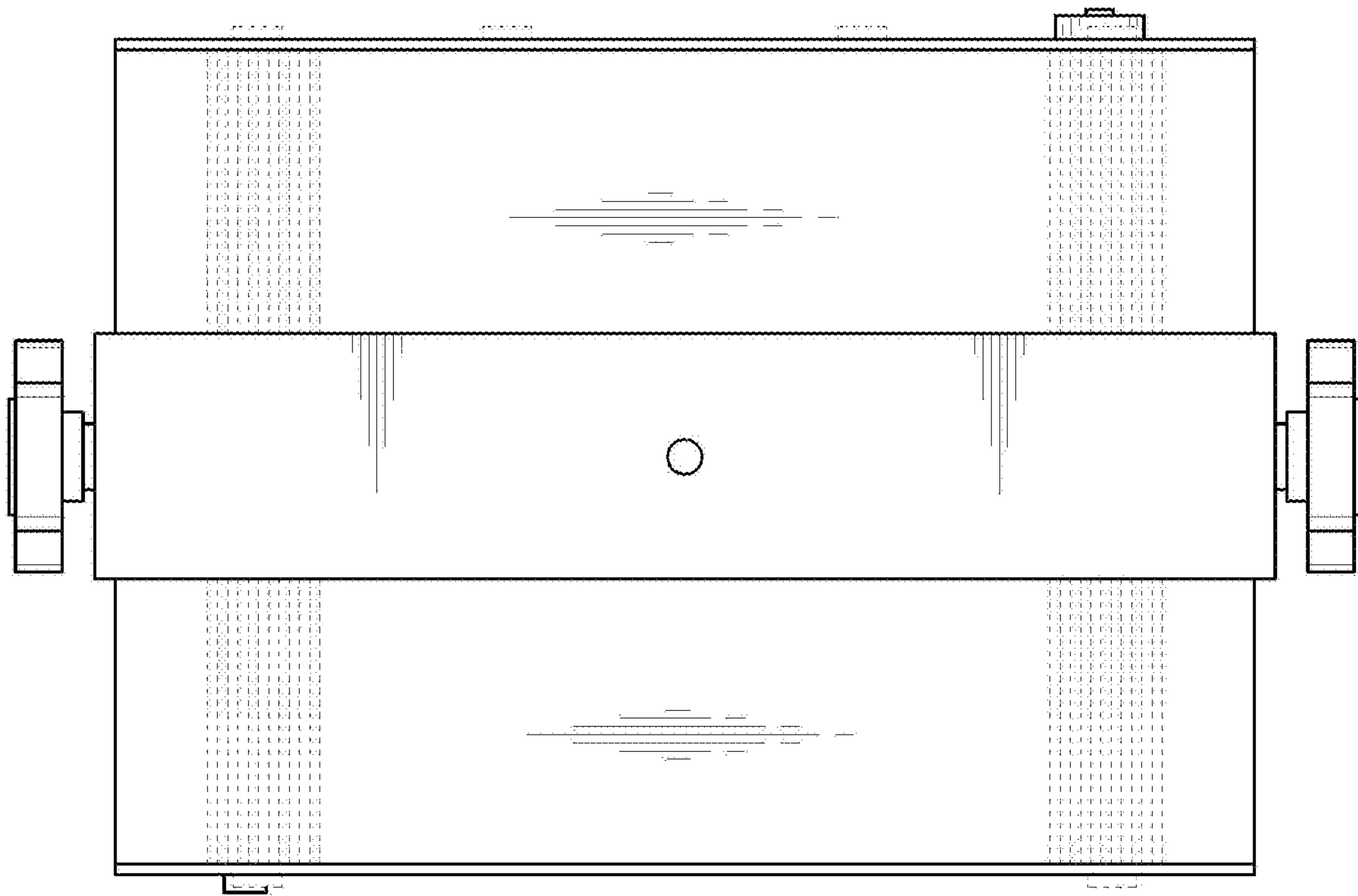


FIG. 6

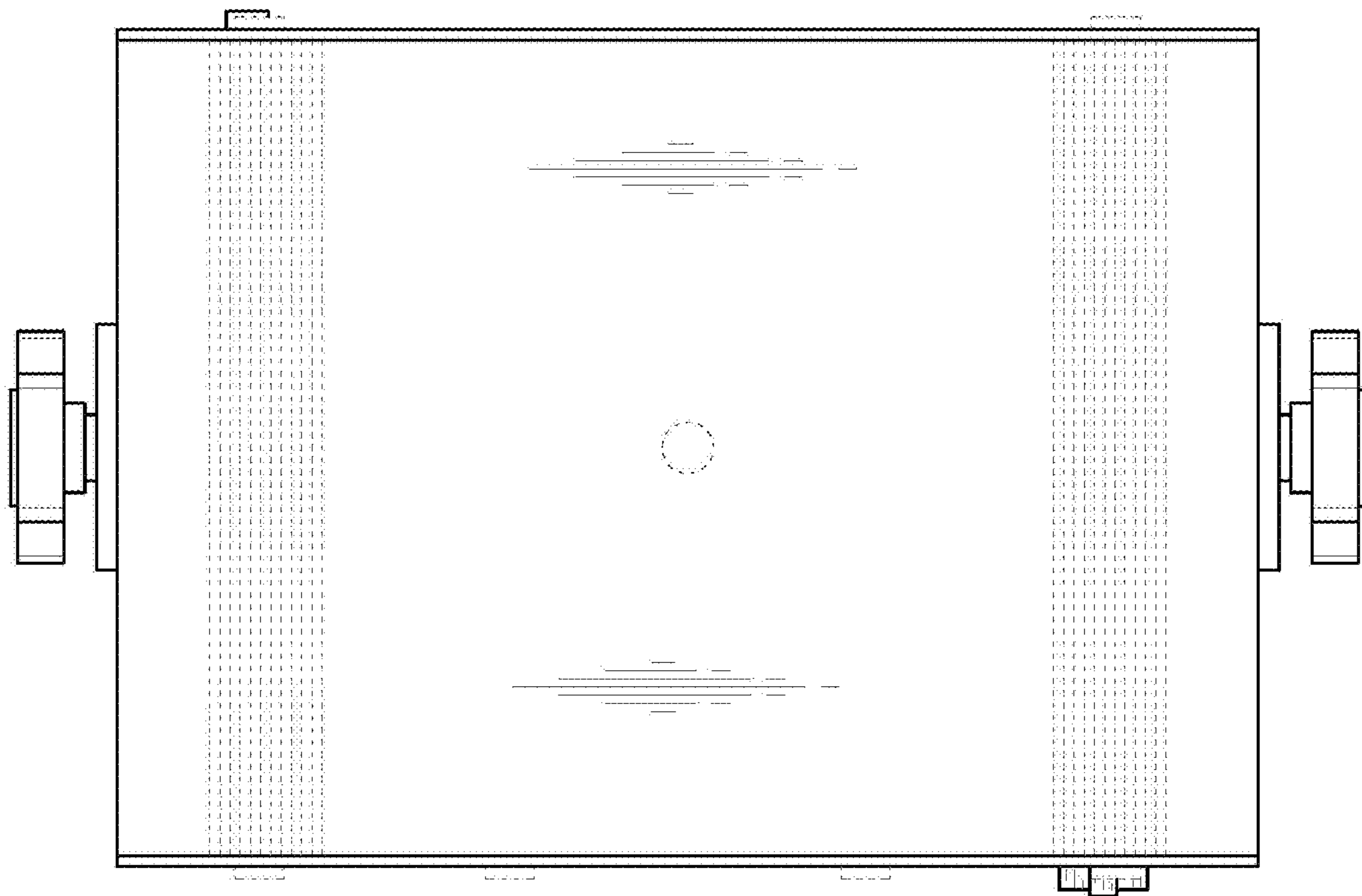


FIG. 7