



US00D930211S

(12) **United States Design Patent**
Qiu

(10) **Patent No.:** **US D930,211 S**

(45) **Date of Patent:** **** Sep. 7, 2021**

(54) **WORKING LAMP**

(71) Applicant: **NINGBO FUTAI ELECTRIC LIMITED**, Zhejiang (CN)

(72) Inventor: **Fujun Qiu**, Ningbo (CN)

(73) Assignee: **NINGBO FUTAI ELECTRIC LIMITED**, Zhejiang (CN)

(**) Term: **15 Years**

(21) Appl. No.: **29/732,029**

(22) Filed: **Apr. 21, 2020**

(51) **LOC (13) Cl.** **26-03**

(52) **U.S. Cl.**
USPC **D26/63**

(58) **Field of Classification Search**
USPC D26/61, 63, 64, 65
CPC F21V 17/02; F21V 21/28; F21V 21/26;
F21V 21/06; F21V 21/00; F21W 2131/30;
F21W 2131/10; F21S 8/024; F21S 6/003;
F21S 8/003; F21S 8/00; F21F 6/00
See application file for complete search history.

(56) **References Cited**

U.S. PATENT DOCUMENTS

D464,755 S * 10/2002 Harris D26/60
D603,550 S * 11/2009 Levine D26/61

D633,635 S * 3/2011 Poon D26/60
D823,514 S * 7/2018 Timtchenko D26/63

* cited by examiner

Primary Examiner — Brian N. Vinson

(74) *Attorney, Agent, or Firm* — Raymond Y. Chan;
David and Raymond Patent Firm

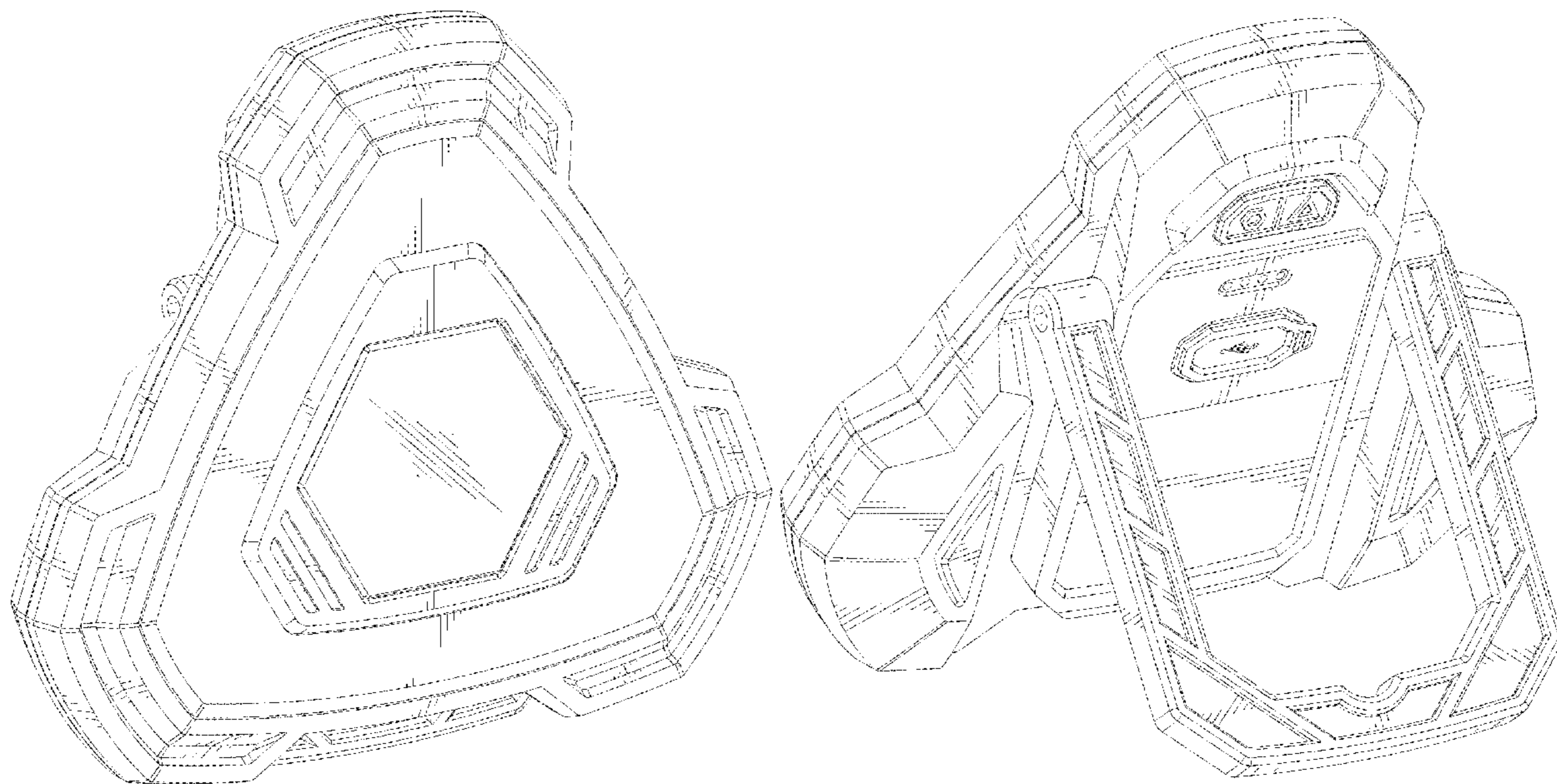
(57) **CLAIM**

The ornamental design for a working lamp, as shown and described.

DESCRIPTION

FIG. 1 is a front perspective view showing my new design;
FIG. 2 is a rear perspective view thereof;
FIG. 3 is a front view thereof;
FIG. 4 is a rear view thereof;
FIG. 5 is a left end view thereof;
FIG. 6 is a right end view thereof;
FIG. 7 is a top view thereof;
FIG. 8 is a bottom view thereof;
FIG. 9 is a front perspective view, illustrating unfolded handle, thereof; and,
FIG. 10 is a rear perspective view, illustrating folded handle as lamp stand, thereof.

1 Claim, 10 Drawing Sheets



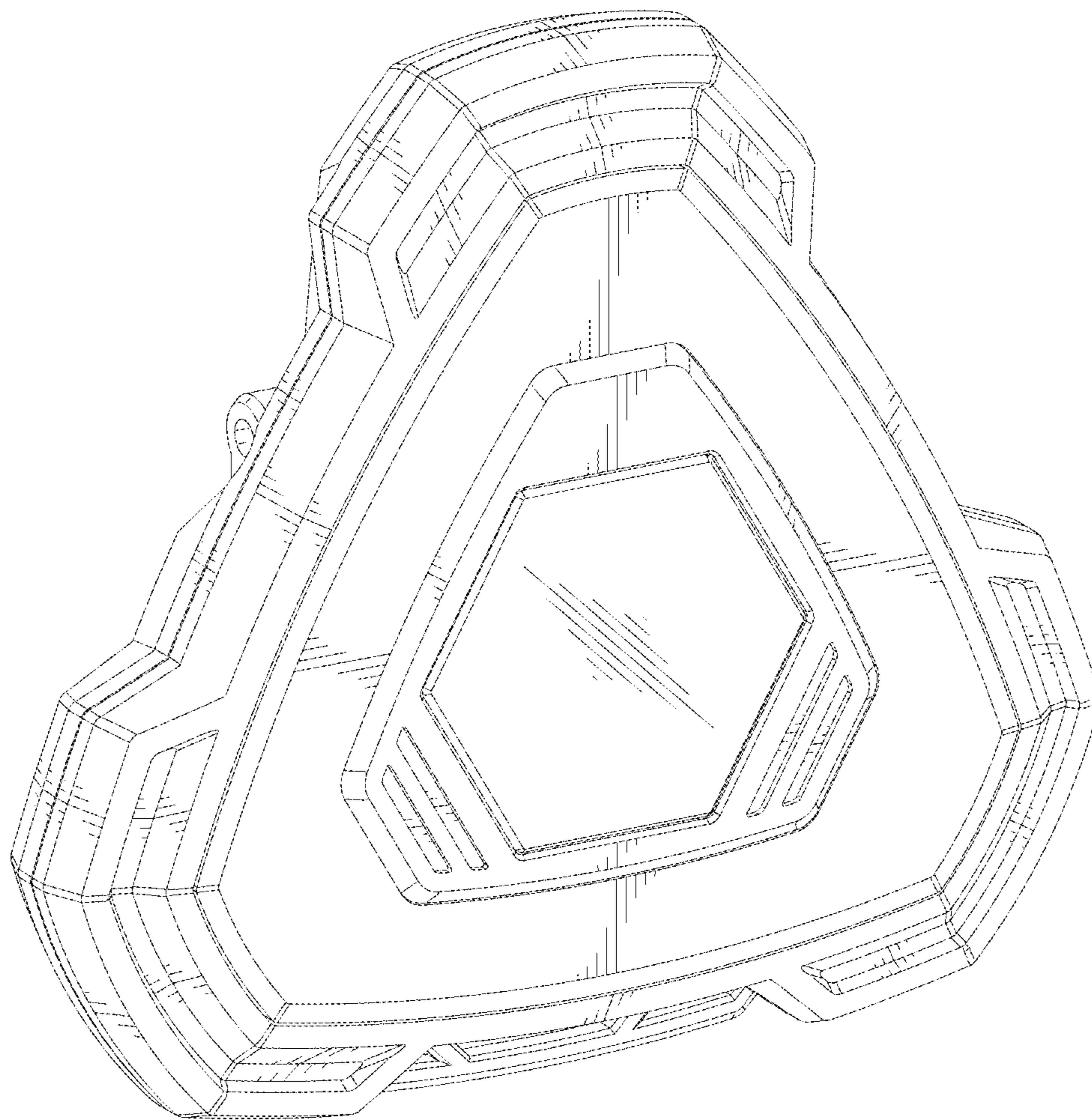


FIG.1

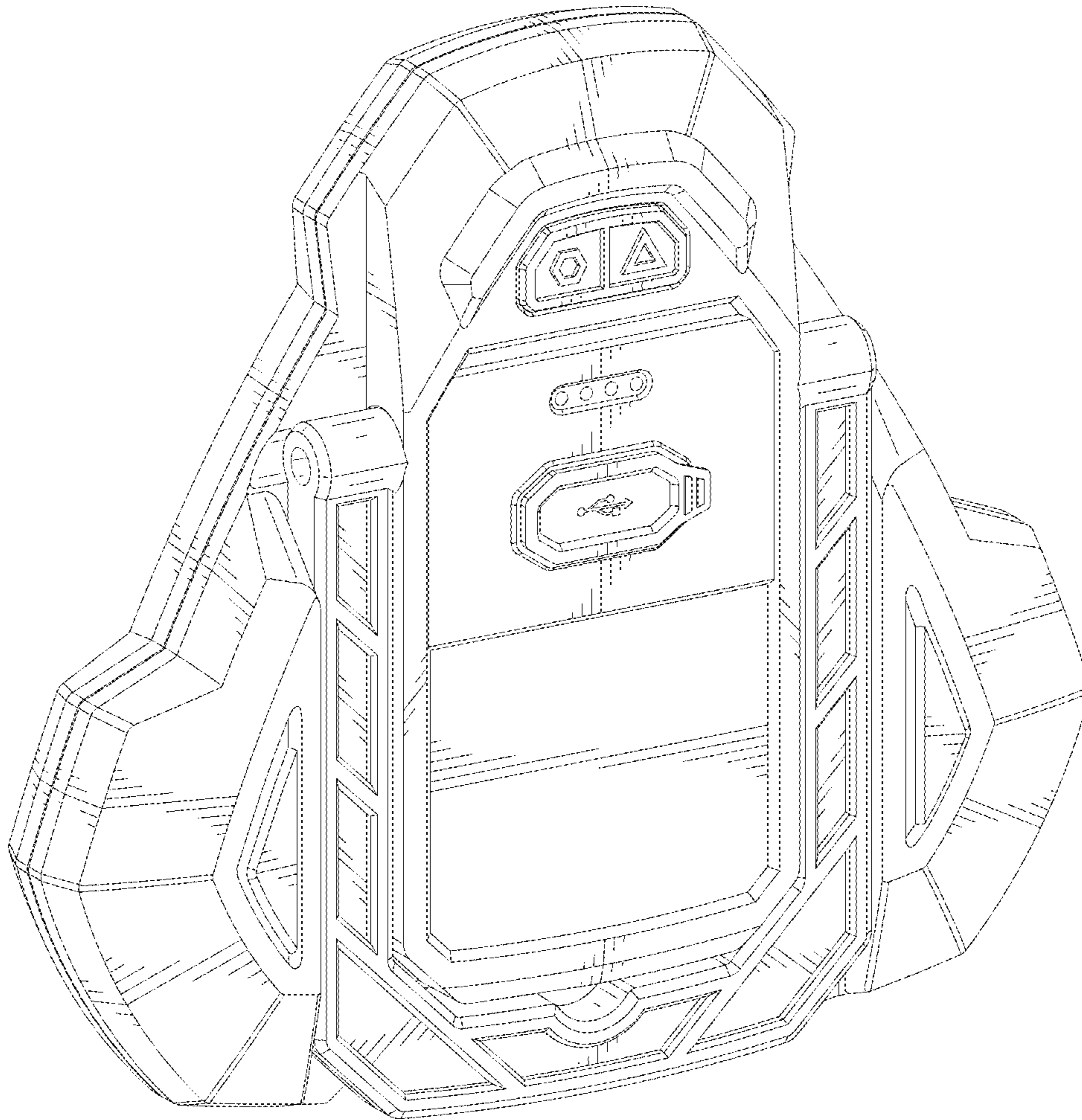


FIG.2

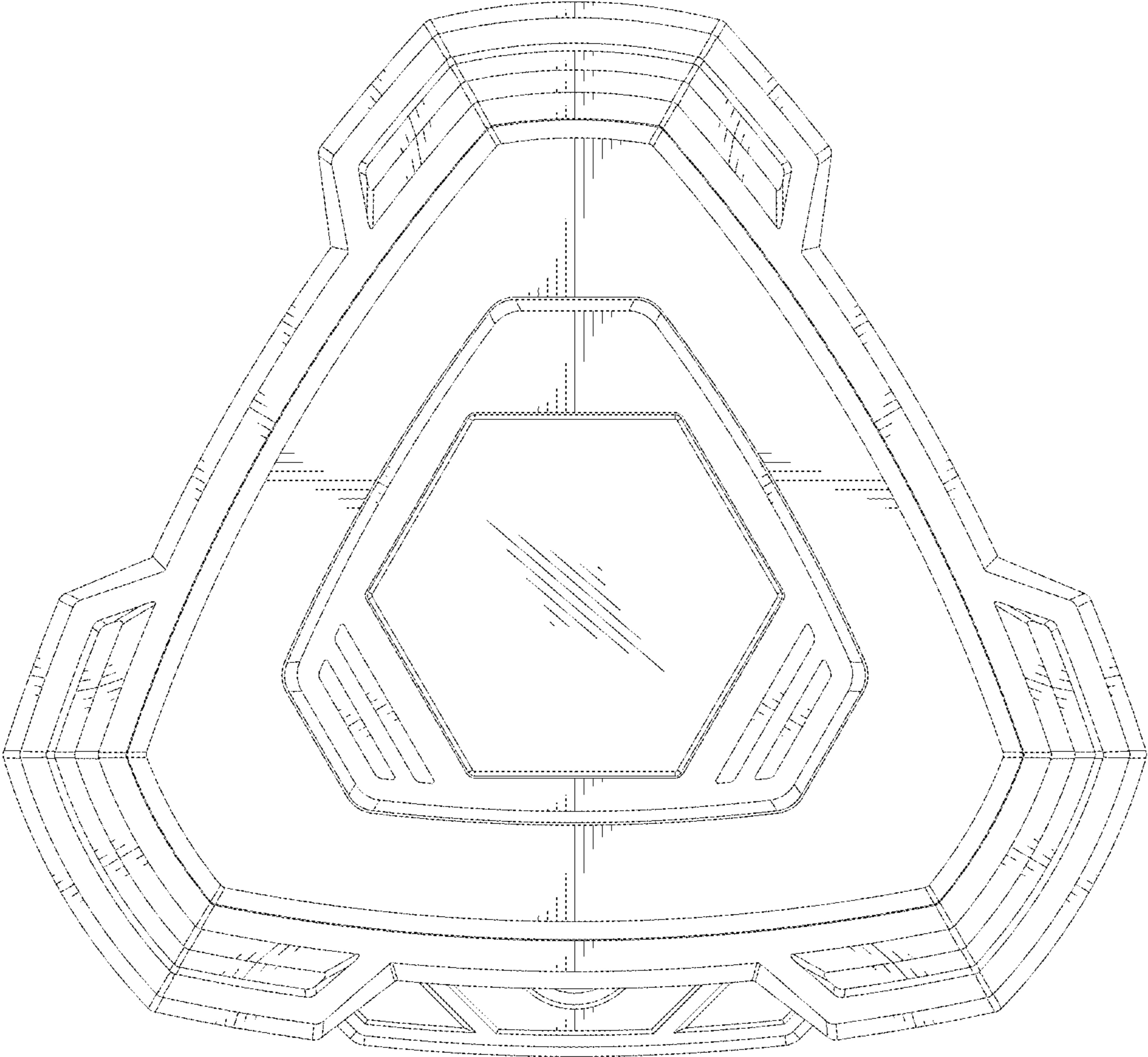


FIG.3

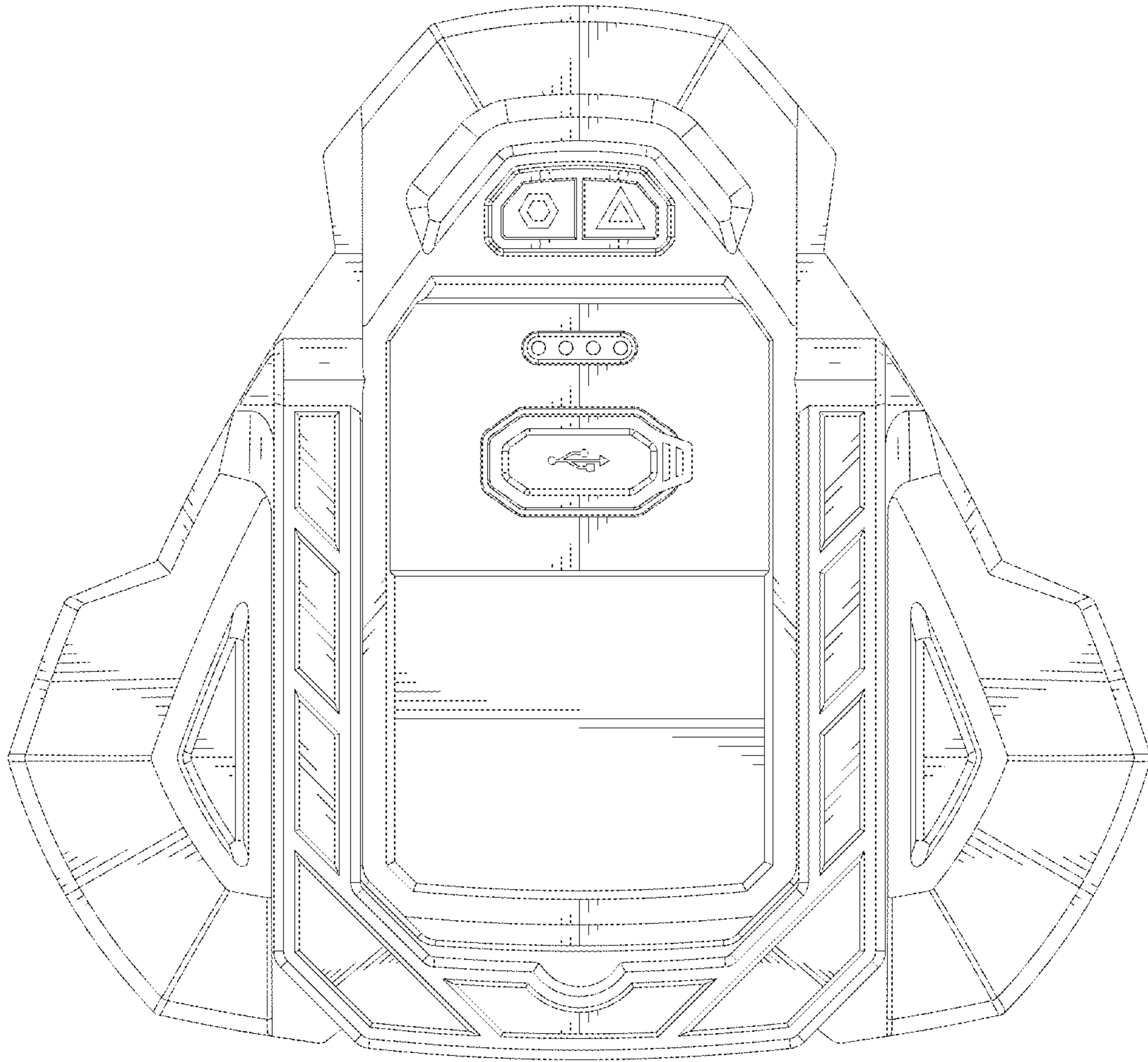


FIG.4

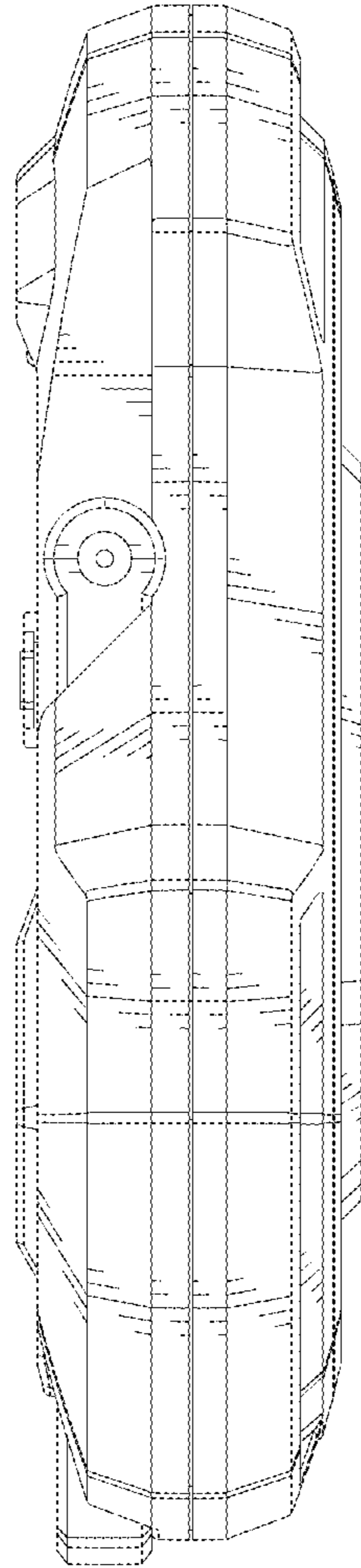


FIG.5

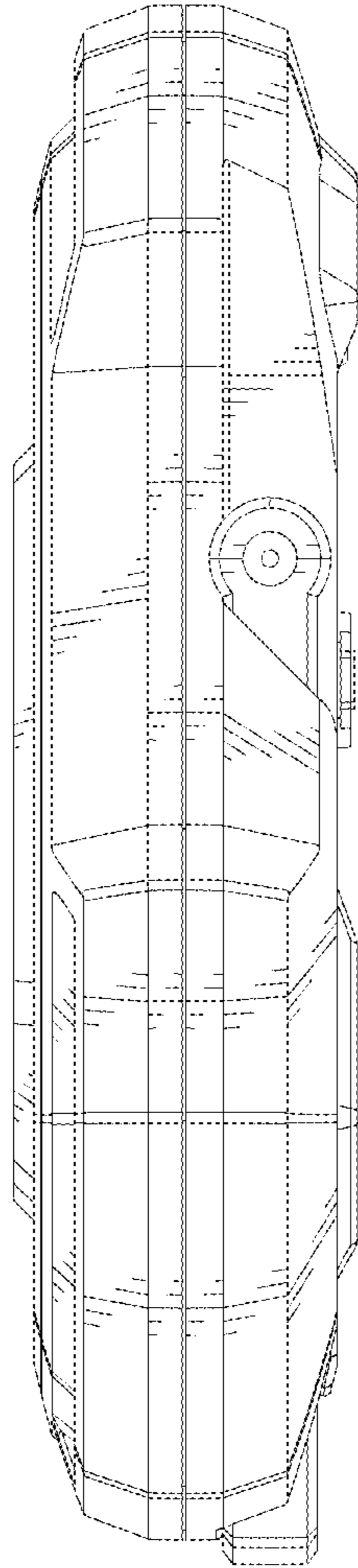


FIG.6

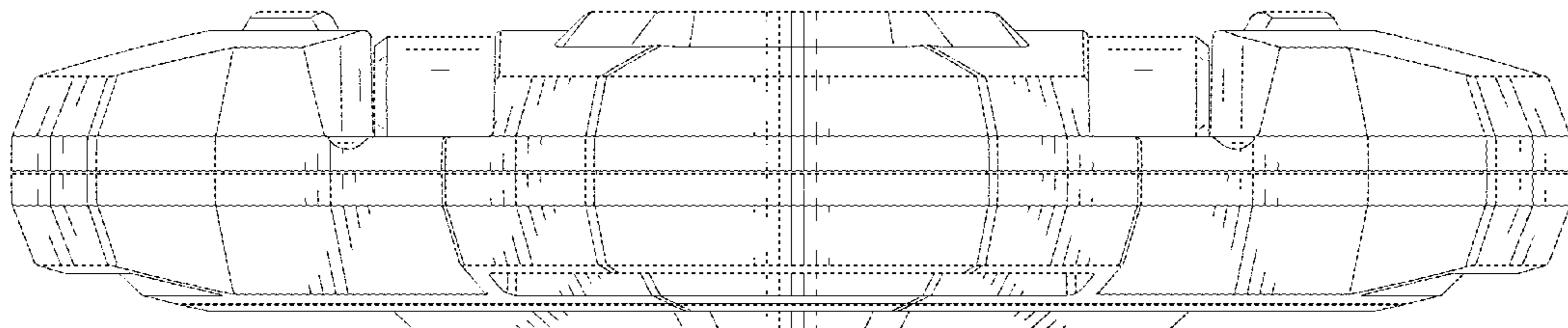


FIG.7

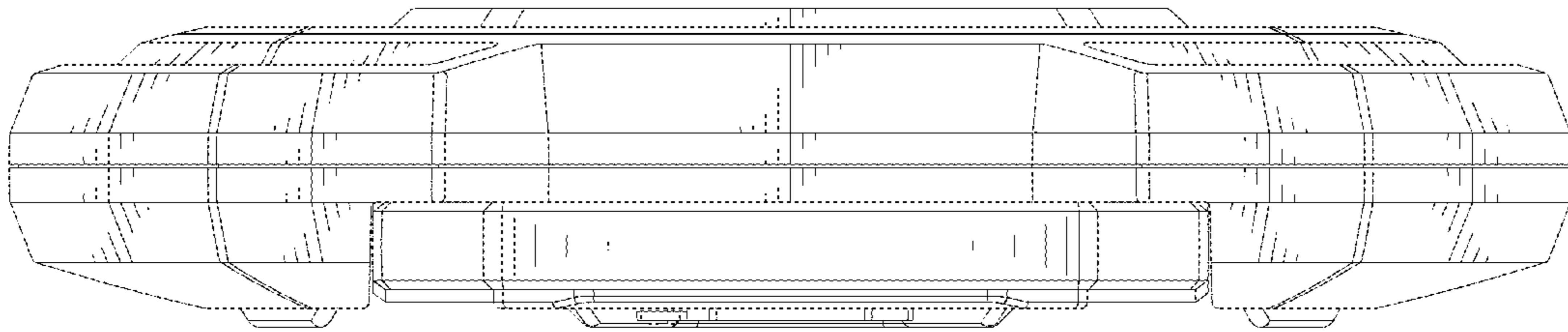


FIG.8

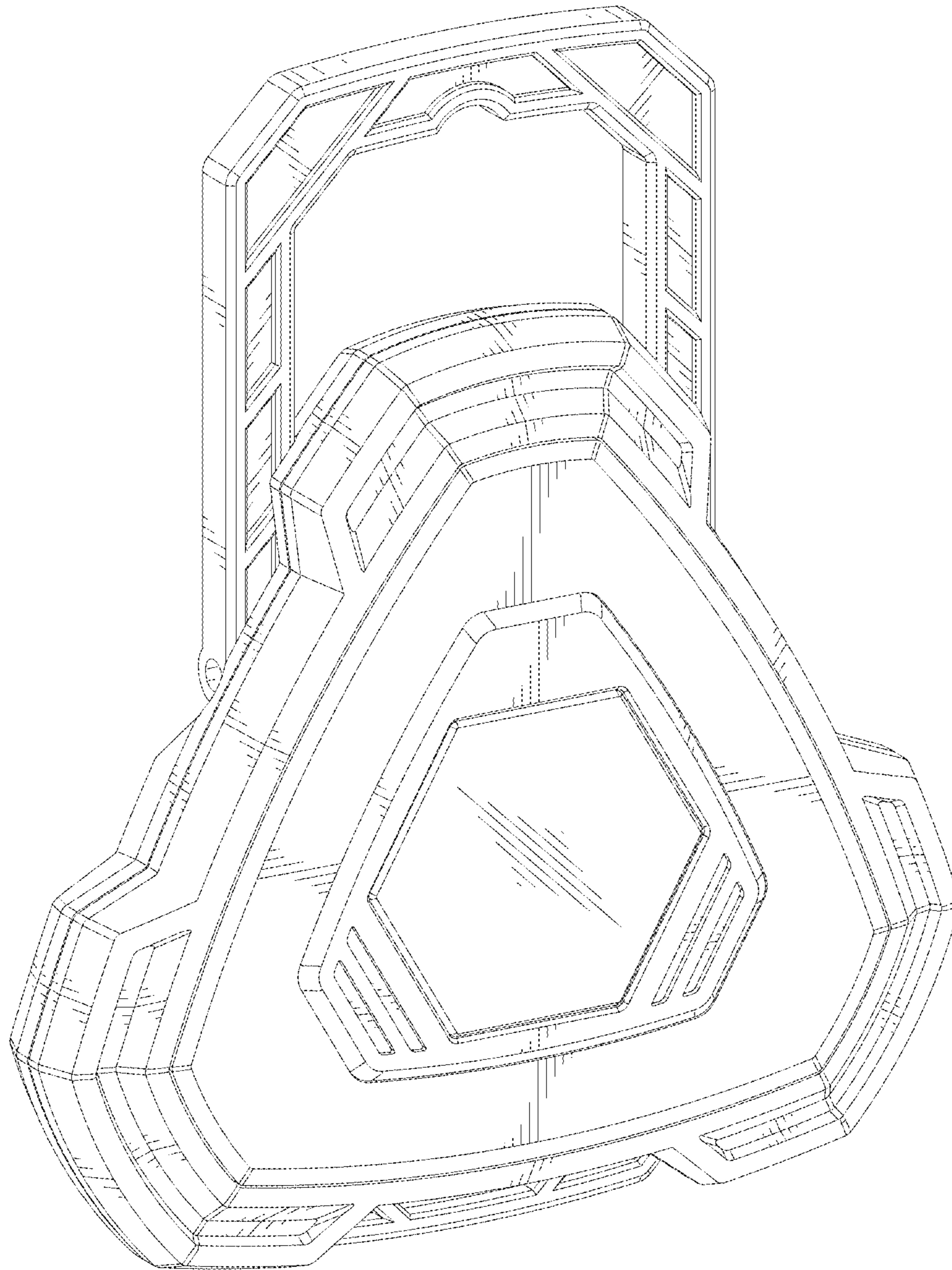


FIG.9

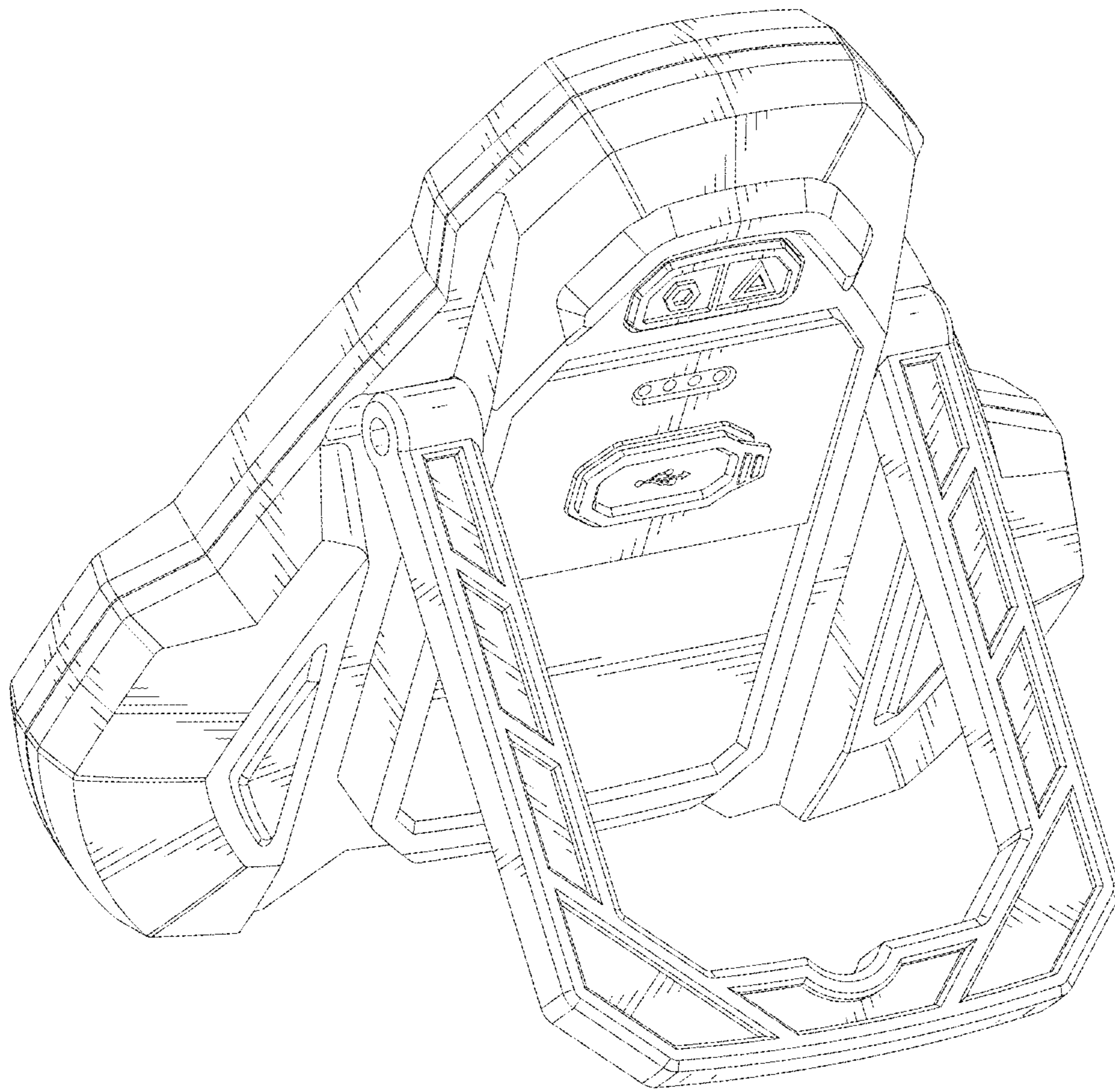


FIG.10