



US00D930210S

(12) **United States Design Patent**  
**McManigal et al.**

(10) **Patent No.:** **US D930,210 S**  
(45) **Date of Patent:** **\*\* Sep. 7, 2021**

(54) **SECURITY FLOODLIGHT**

(71) Applicant: **Arlo Technologies, Inc.**, Carlsbad, CA (US)

(72) Inventors: **Scott McManigal**, Newport Beach, CA (US); **Christopher Fonzo**, Carlsbad, CA (US); **David Tong**, San Diego, CA (US); **James Hathaway**, Delta (CA); **Glen Oross**, San Diego, CA (US)

(73) Assignee: **Arlo Technologies, Inc.**, Carlsbad, CA (US)

(\*\*) Term: **15 Years**

(21) Appl. No.: **29/729,579**

(22) Filed: **Mar. 27, 2020**

(51) **LOC (13) Cl.** ..... **26-03**

(52) **U.S. Cl.**  
USPC ..... **D26/63**

(58) **Field of Classification Search**  
USPC ..... D26/61, 63, 64, 118, 120  
CPC ..... F21V 17/02; F21V 21/08; F21V 21/26;  
F21V 21/06; F21V 21/00; F21W 2131/30;  
F21W 2131/10; F21S 8/04; F21S 6/003;  
F21S 8/003; F21S 8/00; F21F 6/00  
See application file for complete search history.

(56) **References Cited**

**U.S. PATENT DOCUMENTS**

D386,801 S \* 11/1997 Orgovan ..... D20/10  
D595,447 S \* 6/2009 Purcell ..... D26/76

D641,097 S \* 7/2011 Kocks ..... D26/89  
D711,028 S \* 8/2014 Pritchett ..... D26/37  
D735,927 S \* 8/2015 Lee ..... D26/120  
D757,347 S \* 5/2016 Chen ..... D26/120  
D764,700 S \* 8/2016 Chen ..... D26/118  
D773,092 S \* 11/2016 Koshiba ..... D26/63  
D796,723 S \* 9/2017 Sonneman ..... D26/85  
D867,643 S \* 11/2019 Evason ..... D26/63  
10,757,787 B2 \* 8/2020 Chen ..... F21V 5/04

\* cited by examiner

*Primary Examiner* — Brian N. Vinson

(74) *Attorney, Agent, or Firm* — Boyle Fredrickson S.C.

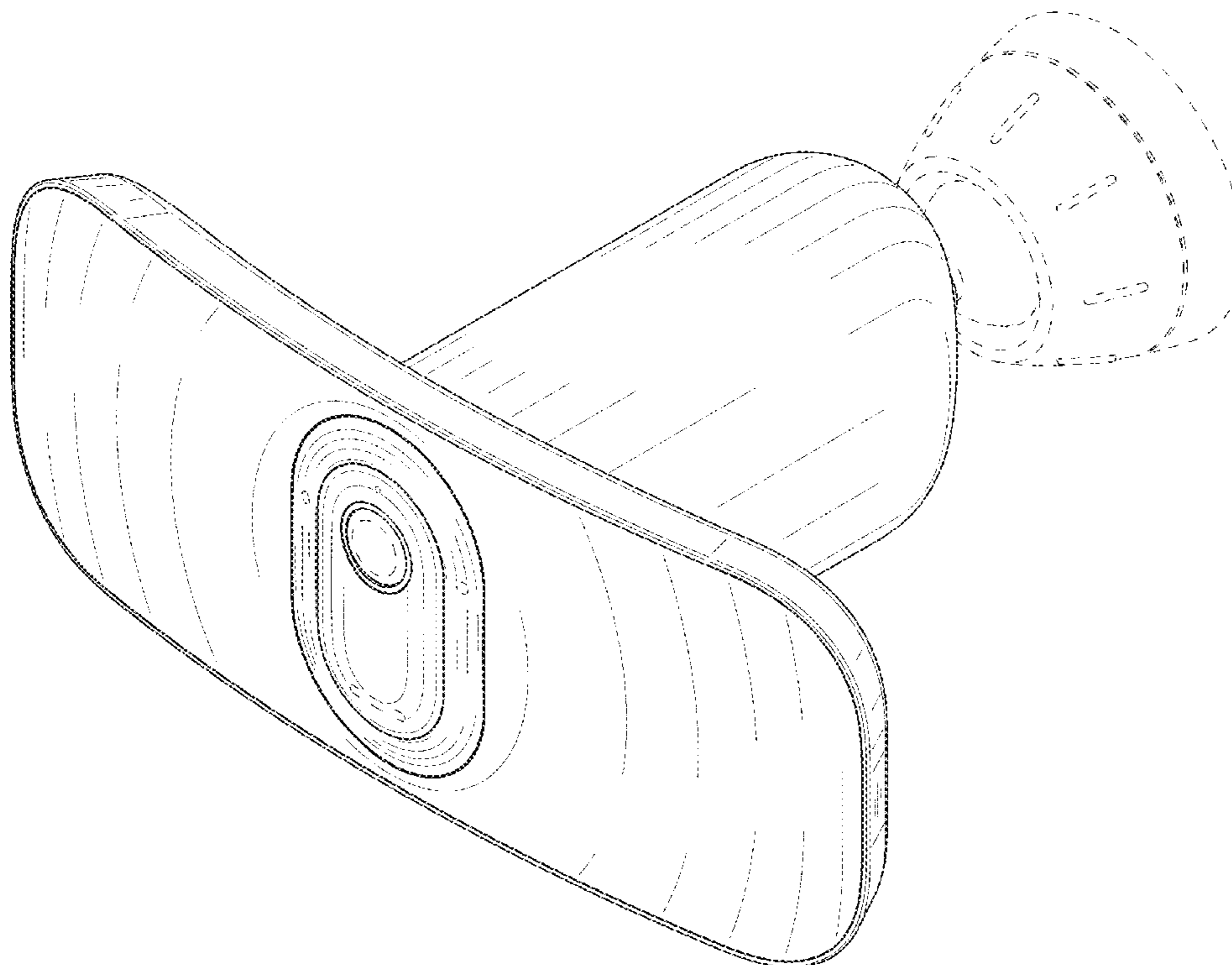
(57) **CLAIM**

The ornamental design for a security floodlight, as shown and described.

**DESCRIPTION**

FIG. 1 is a top, front, right side perspective view of a security floodlight showing our new design; FIG. 2 is a front elevation view thereof; FIG. 3 is a rear elevation view thereof; FIG. 4 is a right-side elevation view thereof; FIG. 5 is a left-side elevation view thereof; FIG. 6 is a top plan view thereof; and, FIG. 7 is a bottom plan view thereof. The dashed broken lines in the drawings represent unclaimed portions of the design, and the dash-dot broken lines represent boundaries of the claimed design. All of the broken lines form no part of the claimed design.

**1 Claim, 7 Drawing Sheets**



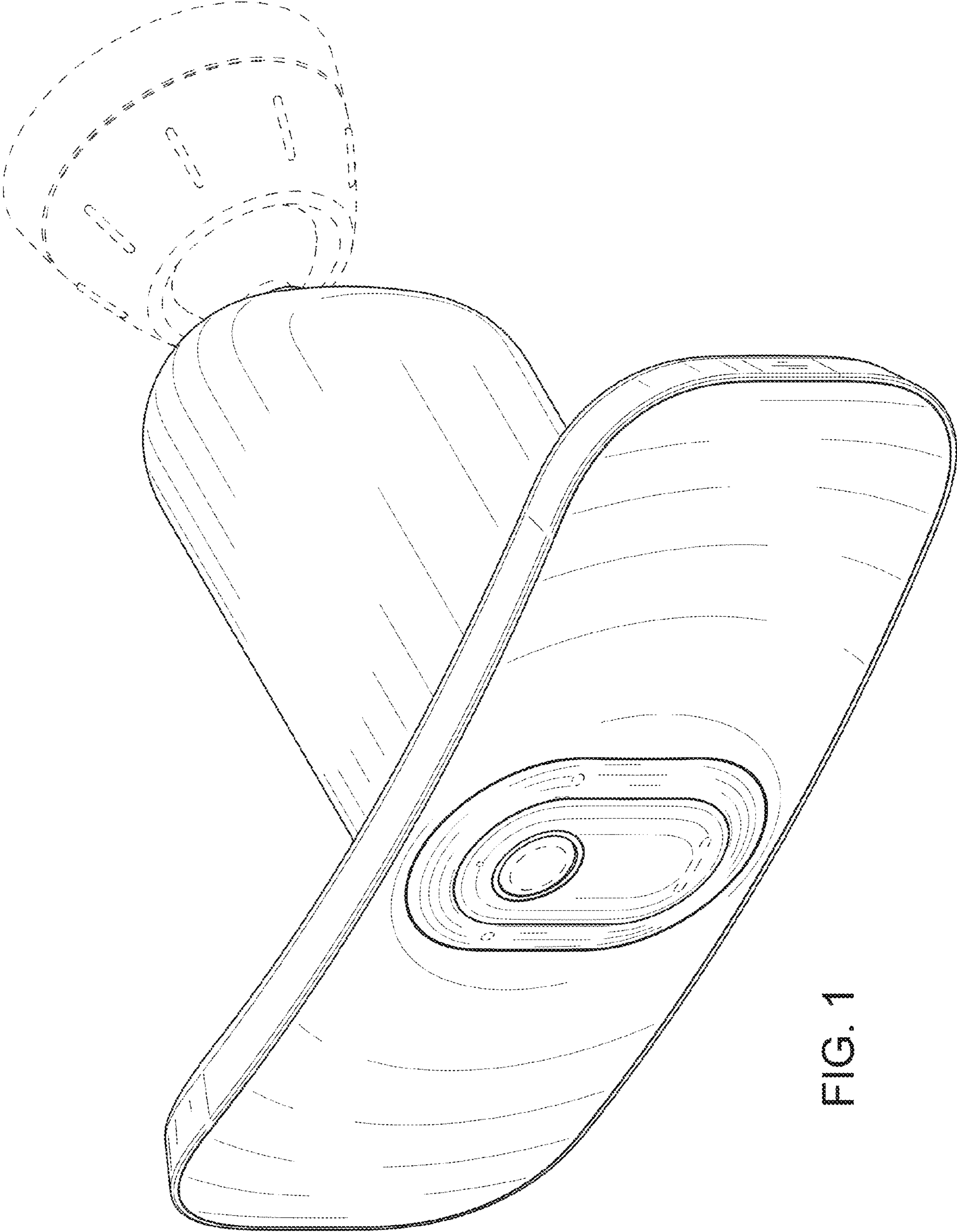


FIG. 1

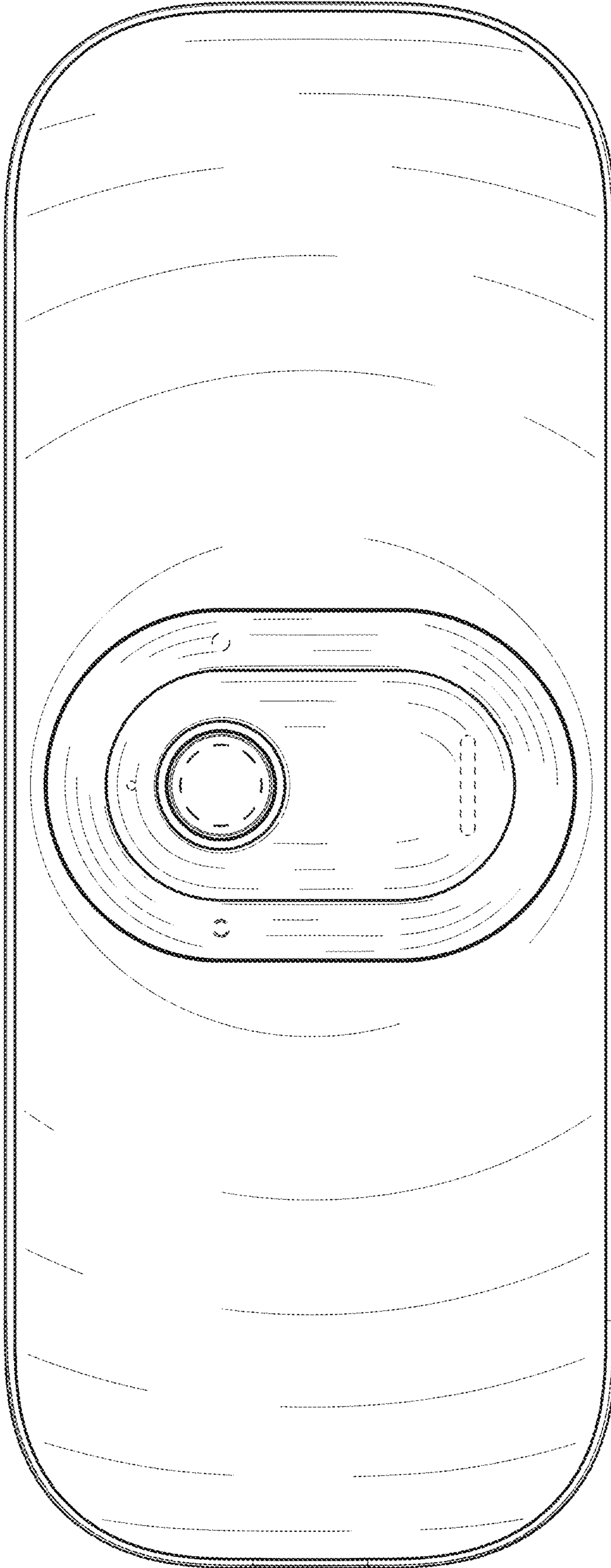


FIG. 2

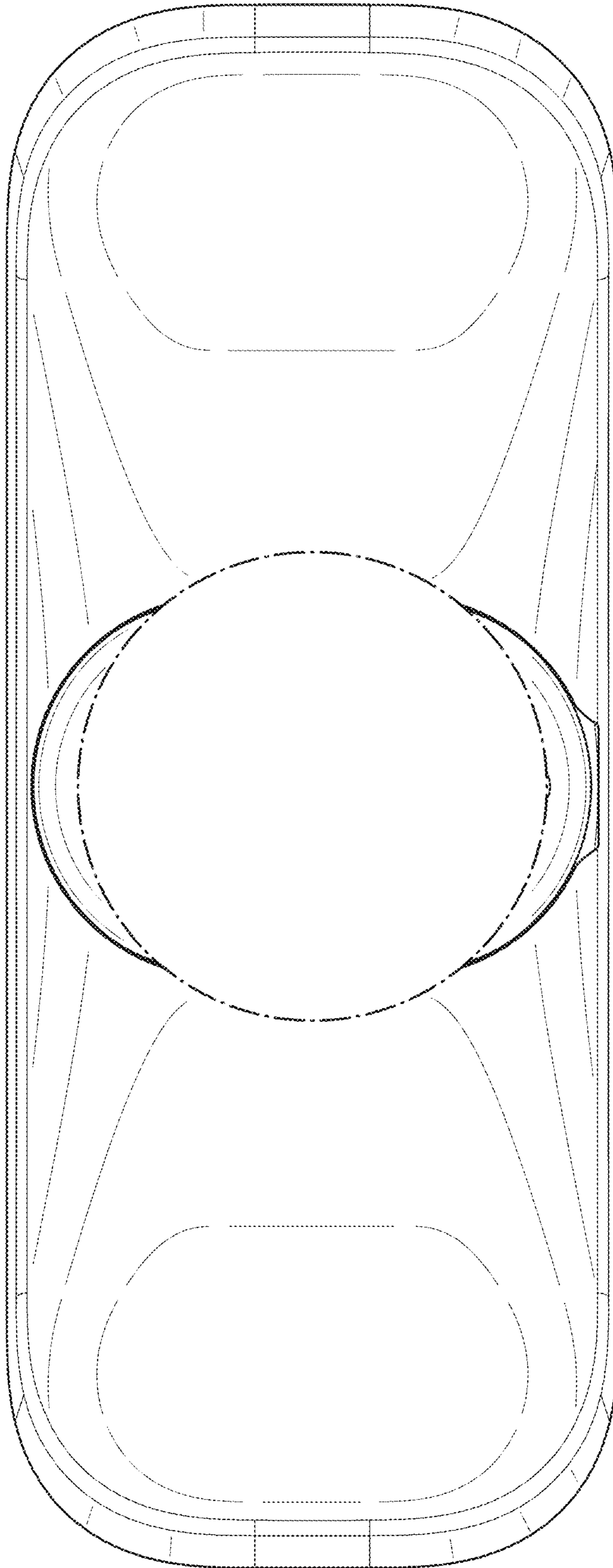


FIG. 3

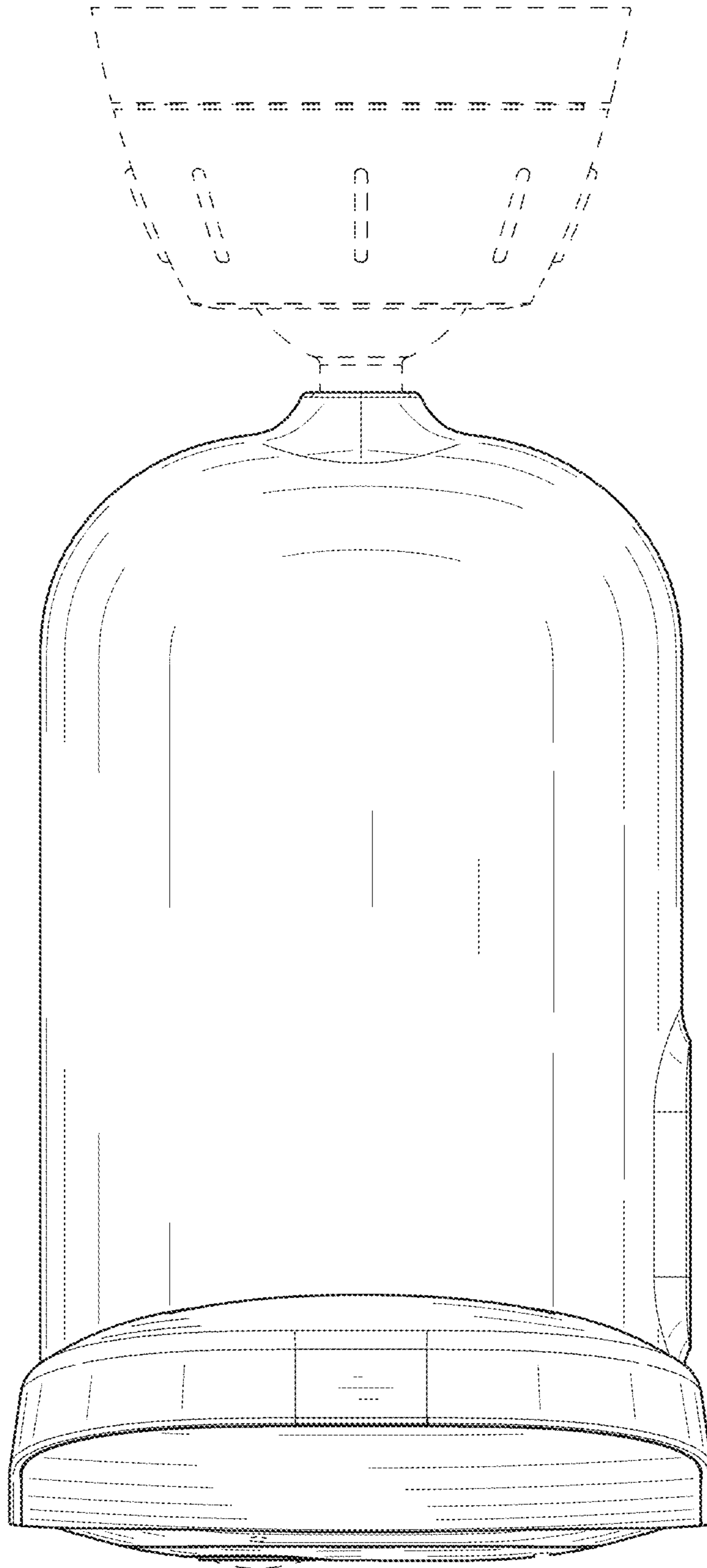


FIG. 4

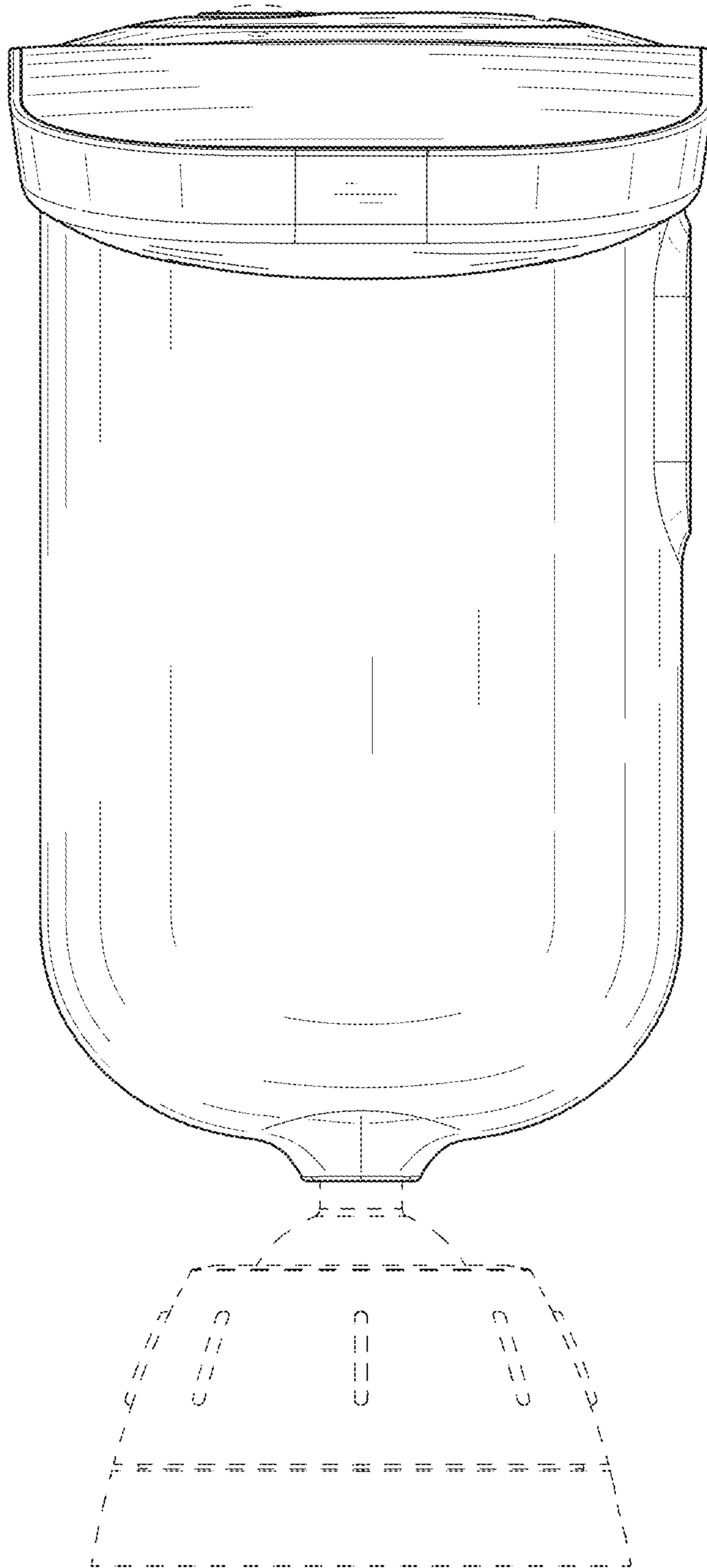


FIG. 5

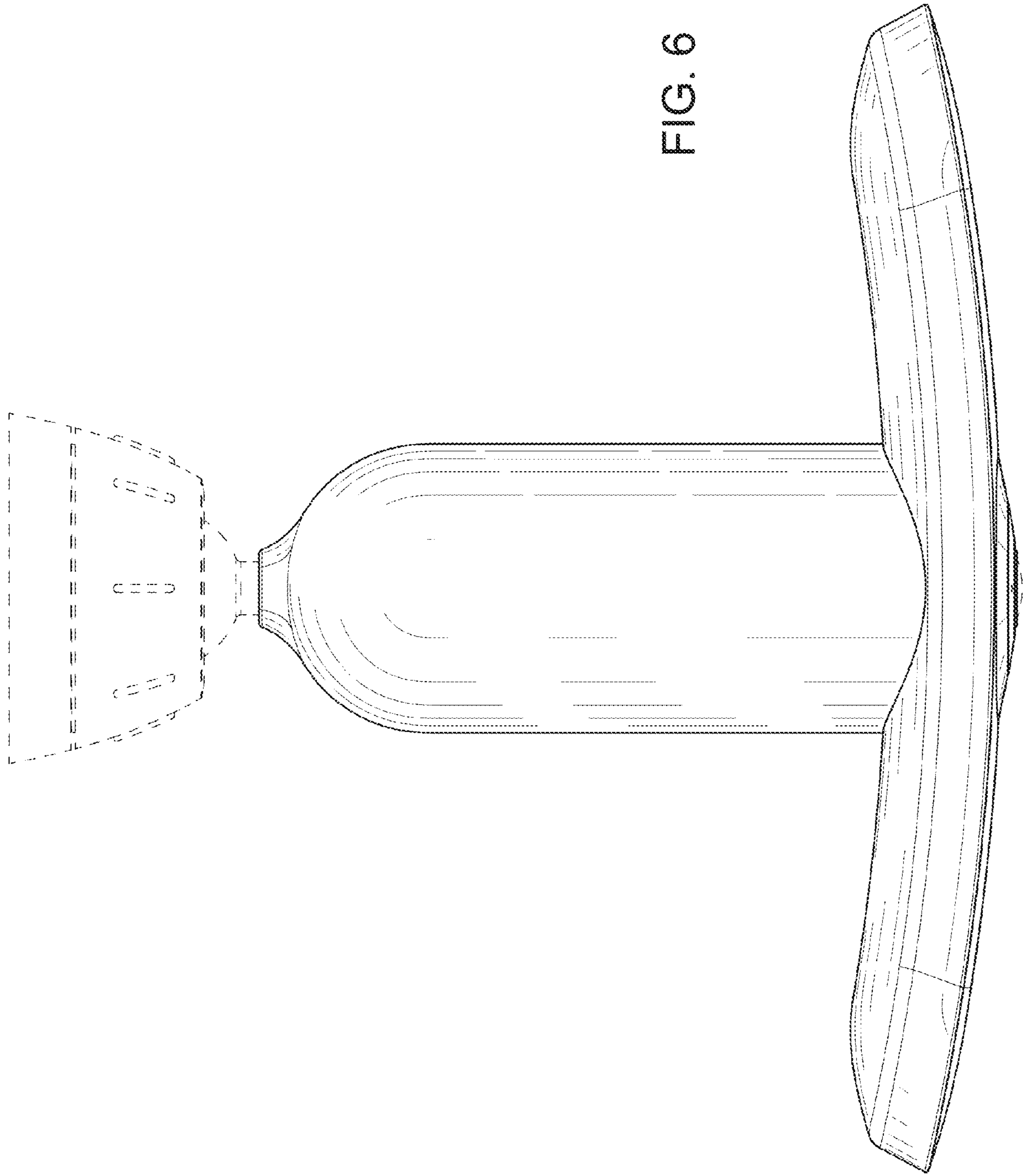


FIG. 6

