



US00D930208S

(12) **United States Design Patent**  
**Hong**

(10) **Patent No.:** **US D930,208 S**

(45) **Date of Patent:** **\*\* Sep. 7, 2021**

(54) **FLASHLIGHT**

(71) Applicant: **Qiming Hong**, Cixi (CN)

(72) Inventor: **Qiming Hong**, Cixi (CN)

(\*\*) Term: **15 Years**

(21) Appl. No.: **29/671,341**

(22) Filed: **Nov. 27, 2018**

(51) **LOC (13) Cl.** ..... **26-02**

(52) **U.S. Cl.**  
USPC ..... **D26/49**

(58) **Field of Classification Search**  
USPC ..... D26/37-38, 40-42, 46, 49-50  
CPC ..... F21L 2003/00; F21L 4/00; F21L 4/005;  
F21L 4/02; F21L 4/002; F21L 4/025;  
F21L 4/027; F21L 4/04; F21L 4/045;  
F21L 4/08; F21L 4/085; F21L 2005/00;  
F21L 14/02

See application file for complete search history.

(56) **References Cited**

**U.S. PATENT DOCUMENTS**

D544,621 S *	6/2007	Kim	.....	D26/37
D549,376 S *	8/2007	Shiu	.....	D26/49
D564,116 S *	3/2008	Linardos	.....	D26/49
D577,452 S *	9/2008	Shiu	.....	D26/49
D596,328 S *	7/2009	Shiu	.....	D26/49
D683,877 S *	6/2013	Brands	.....	D26/49
8,469,548 B2 *	6/2013	Qiu	.....	F21L 4/027 362/188
D698,961 S *	2/2014	Dalton	.....	D26/49

D745,987 S *	12/2015	Nawaz	.....	D22/117
D749,766 S *	2/2016	Nguyen	.....	D26/49
D816,251 S *	4/2018	Johnson	.....	D26/49
D828,940 S *	9/2018	Qiu	.....	D26/49
D843,624 S *	3/2019	Son	.....	D26/49
10,302,291 B2 *	5/2019	Parsons	.....	F21V 23/0421
D861,216 S *	9/2019	Li	.....	D26/49
D871,638 S *	12/2019	Huang	.....	D26/49
D879,345 S *	3/2020	Chen	.....	D26/49
D882,138 S *	4/2020	Bao	.....	D26/49
2008/0291666 A1 *	11/2008	Bushee	.....	F21V 33/0076 362/206

\* cited by examiner

*Primary Examiner* — Michelle E. Wilson

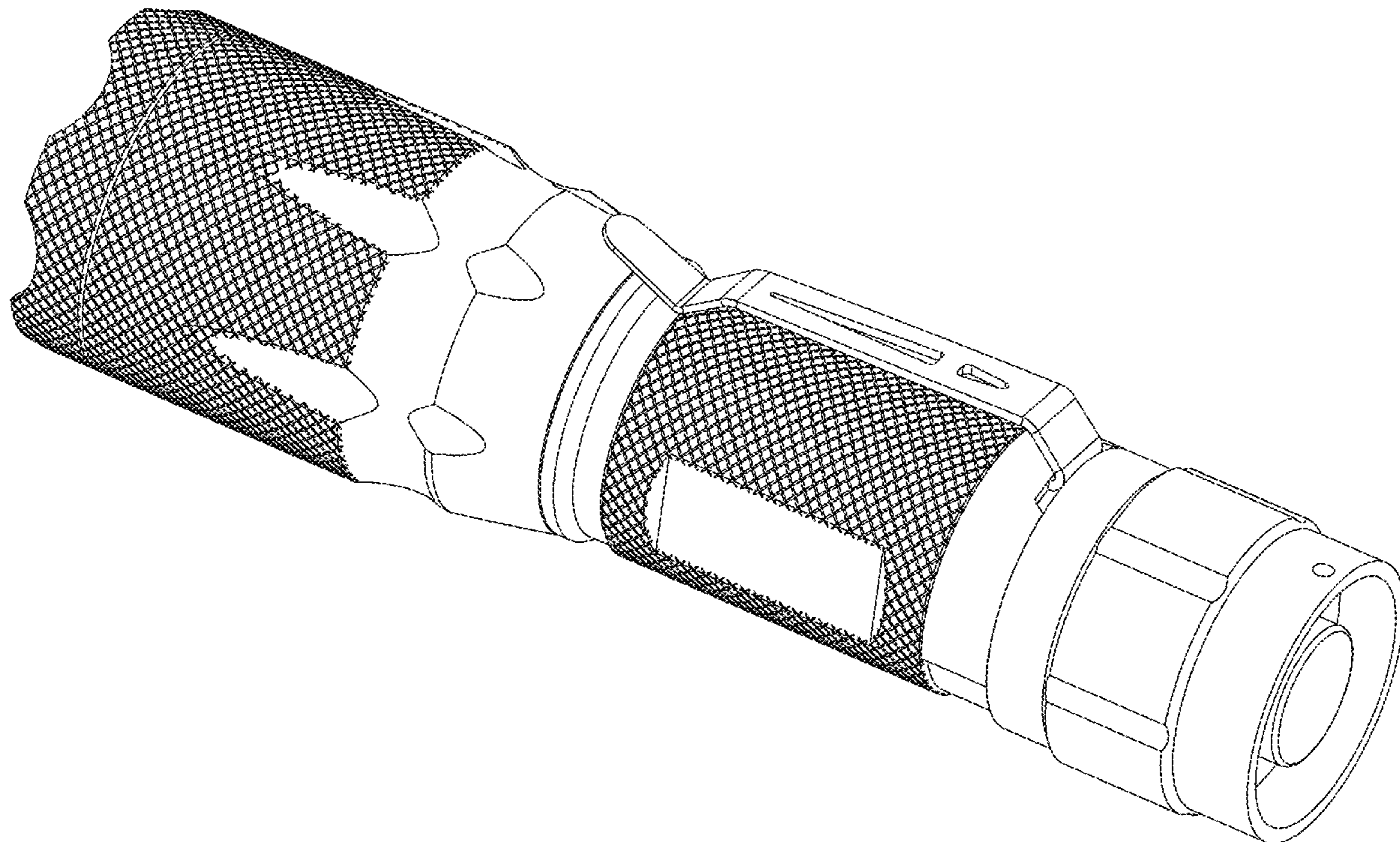
(57) **CLAIM**

The ornamental design for a flashlight, as shown and described.

**DESCRIPTION**

FIG. 1 is a front perspective view of the flashlight showing my new design;  
FIG. 2 is a rear perspective view thereof;  
FIG. 3 is a front elevational view thereof;  
FIG. 4 is a rear elevational view thereof;  
FIG. 5 is a left side elevational view thereof;  
FIG. 6 is a right side elevational view thereof;  
FIG. 7 is a top plan view thereof; and,  
FIG. 8 is a bottom plan view thereof.

**1 Claim, 7 Drawing Sheets**



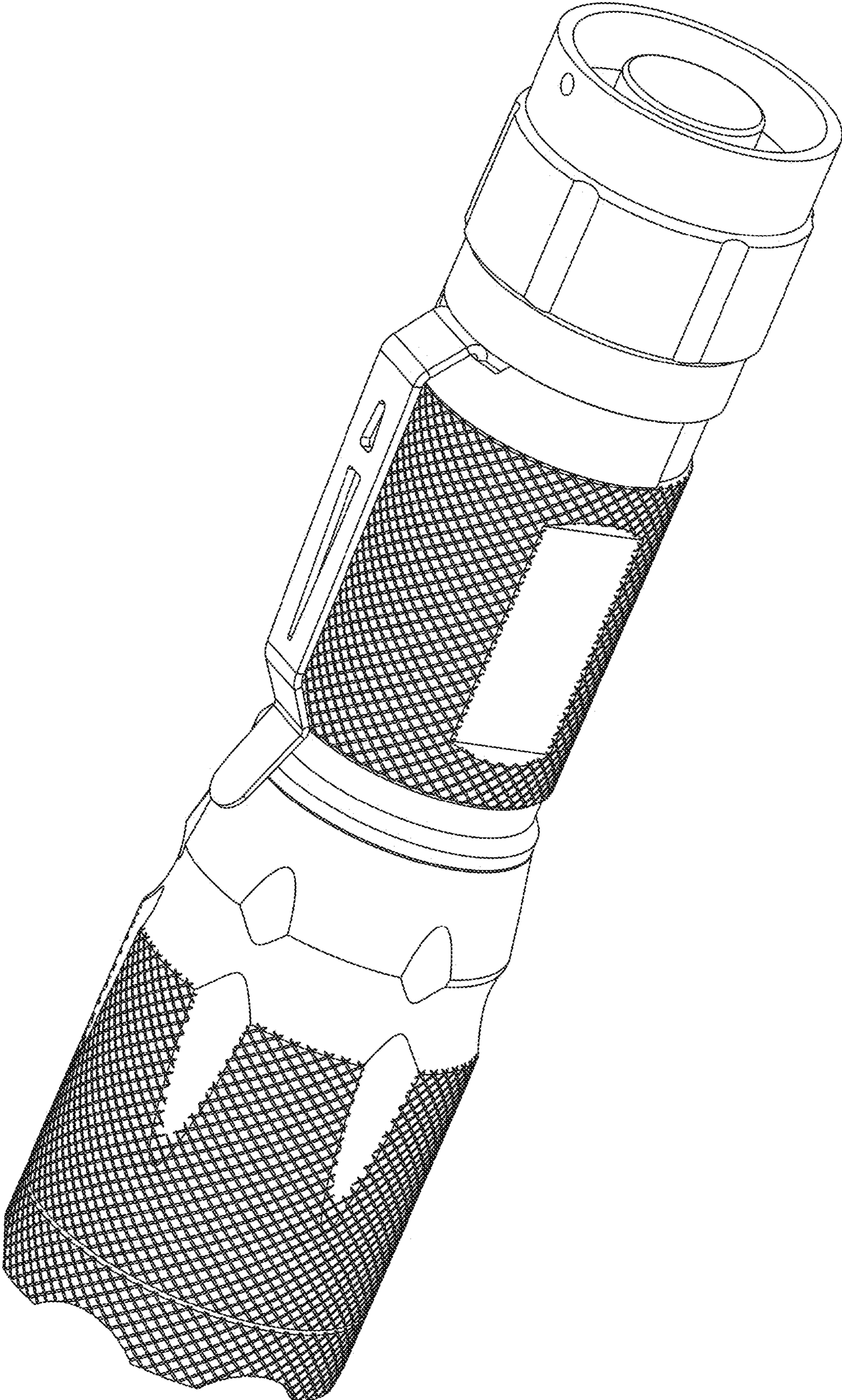


FIG. 1

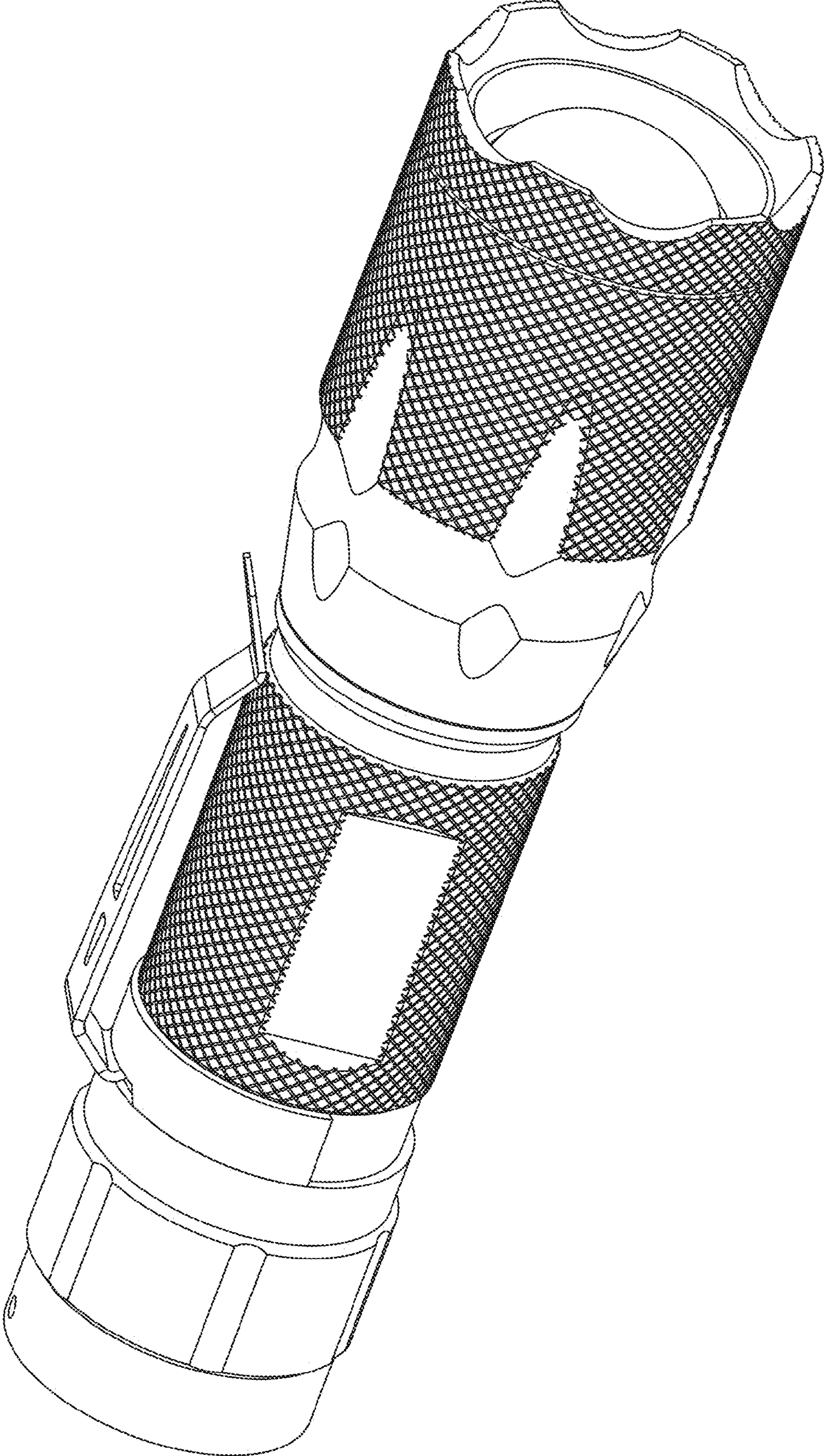


FIG. 2

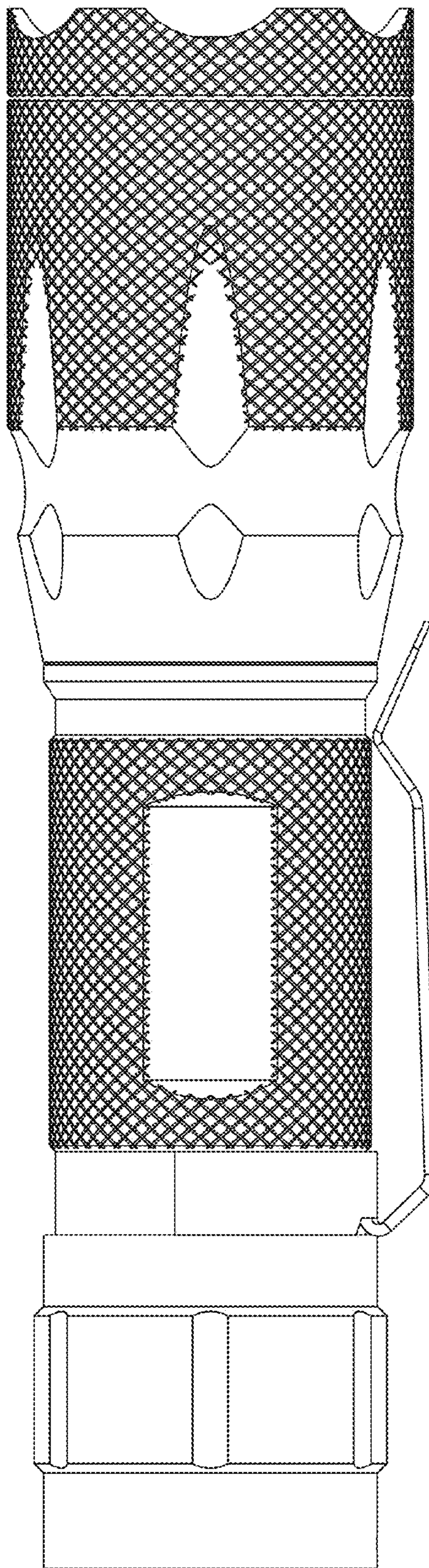


FIG. 3

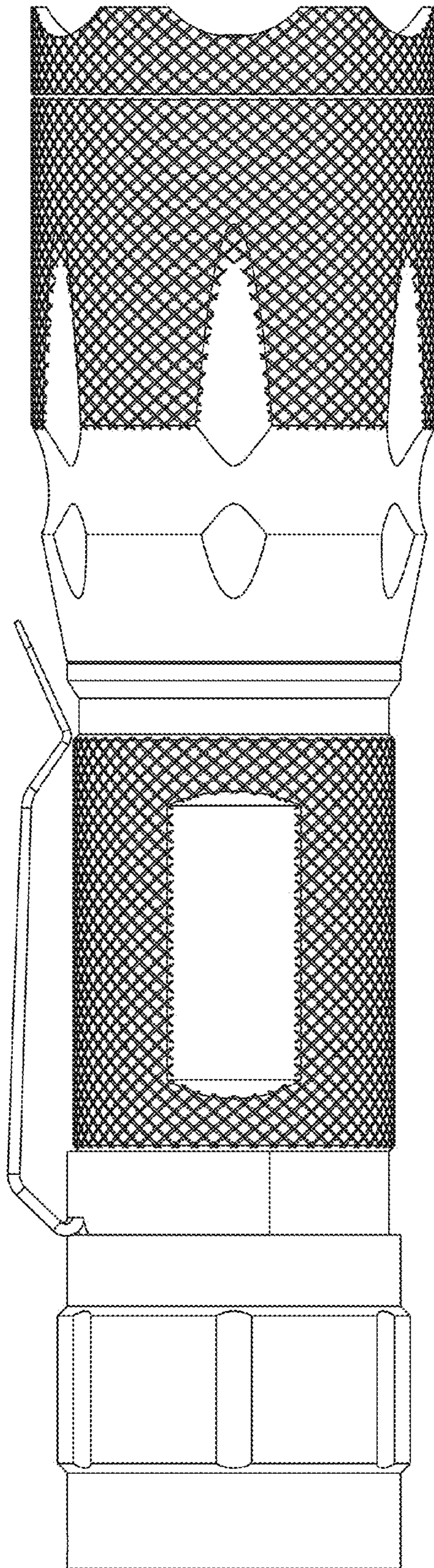


FIG. 4

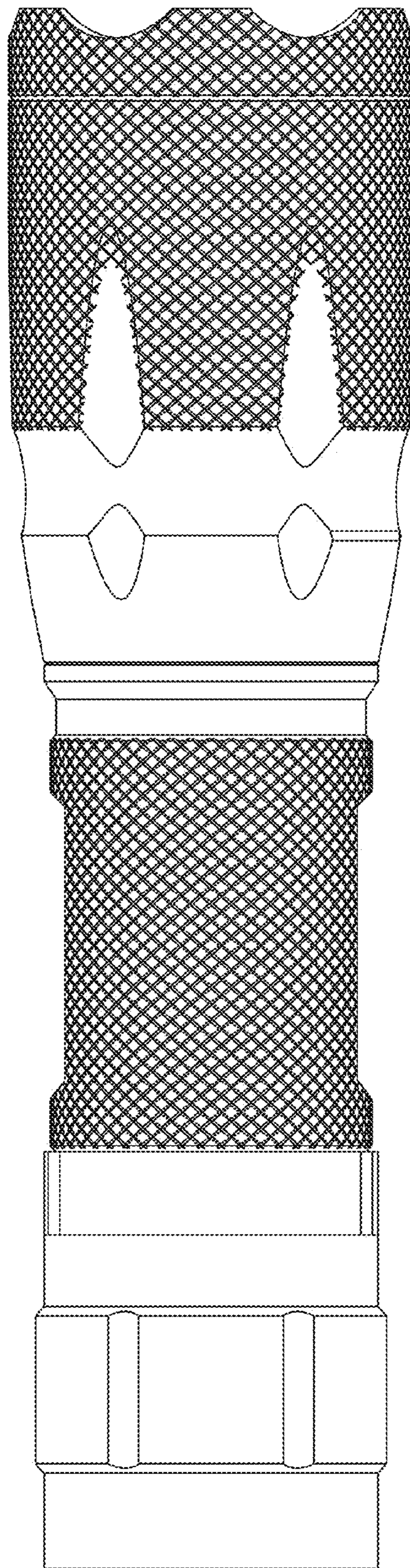


FIG. 5

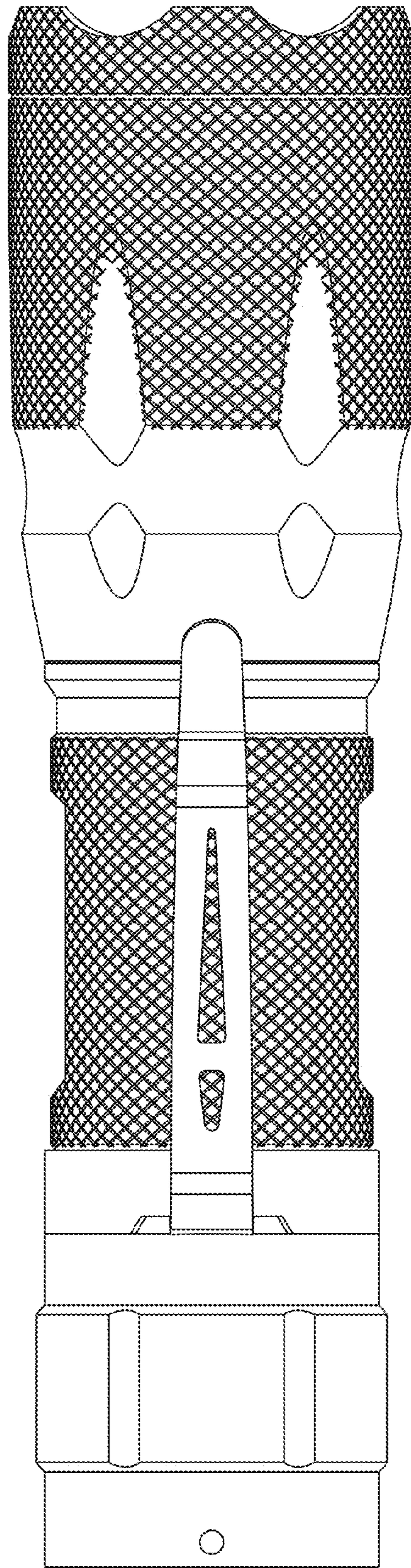


FIG. 6

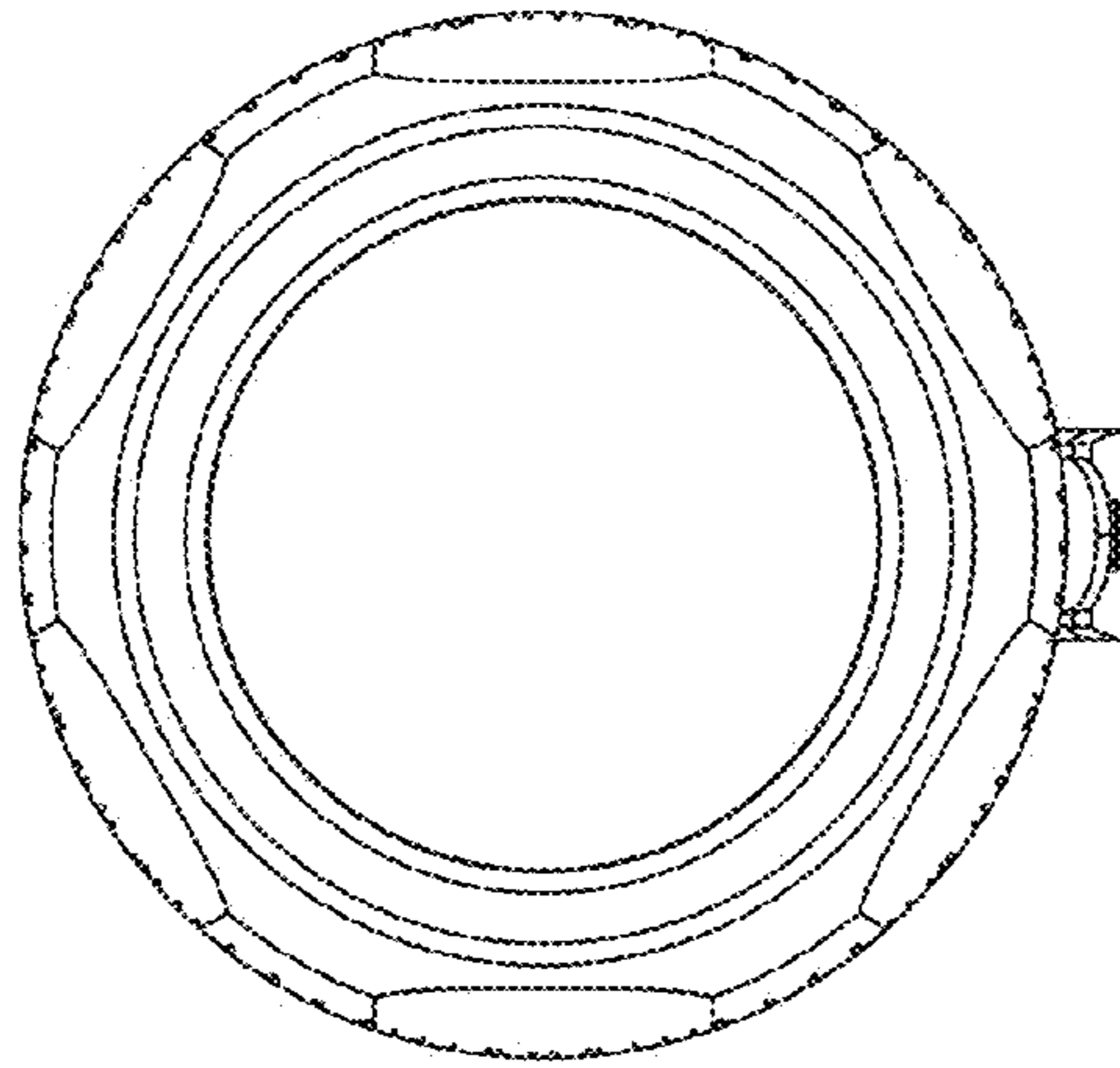


FIG. 7

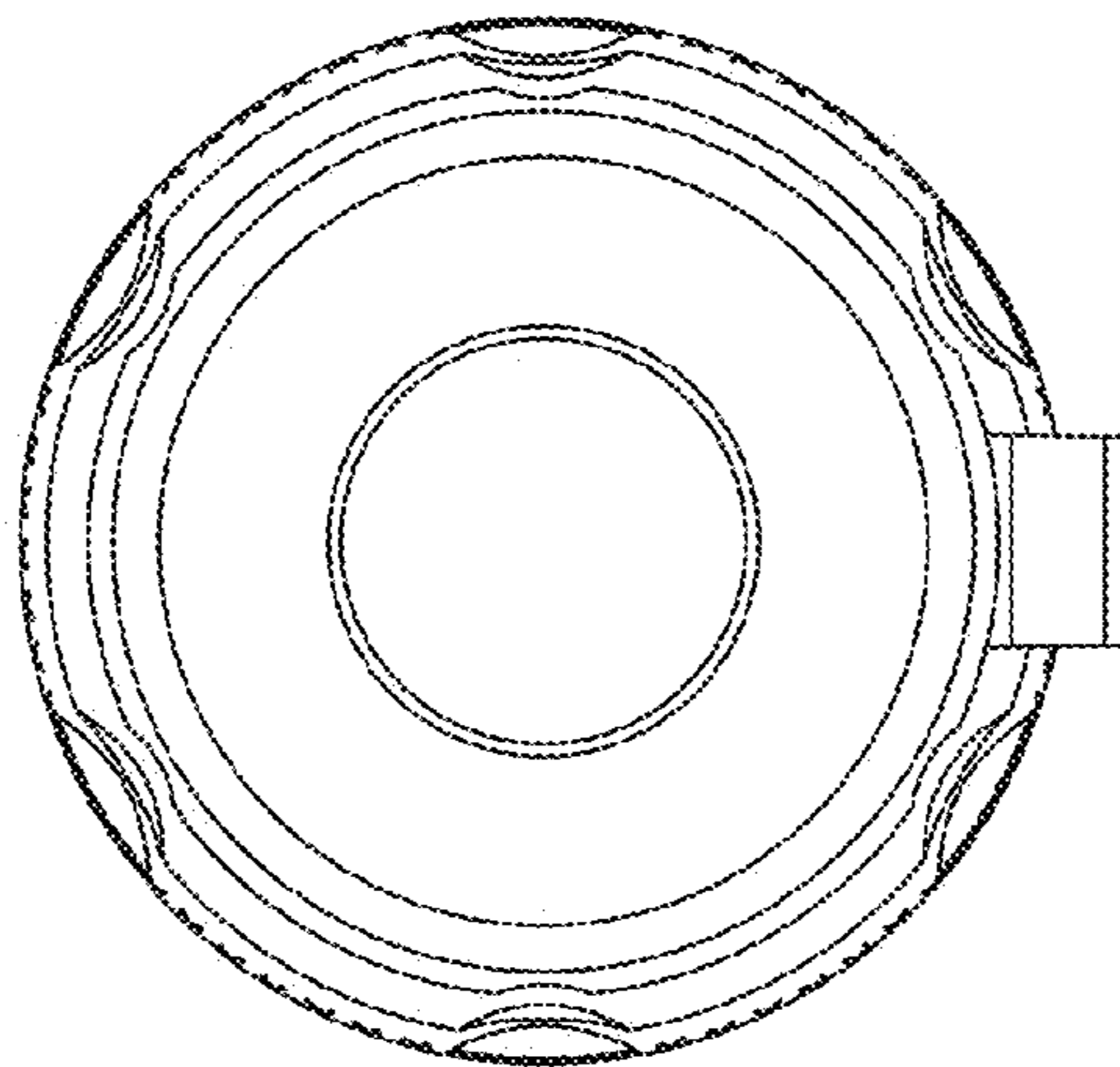


FIG. 8