



US00D930207S

(12) **United States Design Patent**
Liu

(10) **Patent No.:** **US D930,207 S**

(45) **Date of Patent:** **** Sep. 7, 2021**

(54) **FLASHLIGHT**

(71) Applicant: **Huicheng Liu**, Guangdong (CN)

(72) Inventor: **Huicheng Liu**, Guangdong (CN)

(**) Term: **15 Years**

(21) Appl. No.: **29/606,677**

(22) Filed: **Jun. 7, 2017**

(51) **LOC (13) Cl.** **26-02**

(52) **U.S. Cl.**
USPC **D26/49**

(58) **Field of Classification Search**
USPC D26/37-51

CPC F21L 2003/00; F21L 4/00; F21L 4/005;
F21L 4/02; F21L 4/025; F21L 4/027;
F21L 4/04; F21L 4/08; F21L 2005/00;
F21L 7/00; F21L 11/00; F21L 13/00;
F21L 13/04; F21L 13/08; F21L 14/02;
F21L 17/00; F21L 19/00; F21L 25/00

See application file for complete search history.

(56) **References Cited**

U.S. PATENT DOCUMENTS

D501,942 S *	2/2005	Saunders	D26/37
D504,530 S *	4/2005	Shiu	D26/37
D525,733 S *	7/2006	Shiao	D26/37
D554,281 S *	10/2007	Bushee	D26/37
D583,972 S *	12/2008	Shiu	D26/49
D585,577 S *	1/2009	Bonis	D26/49
D599,928 S *	9/2009	Shiu	D26/49
D600,841 S *	9/2009	Kung	D26/46
D659,272 S *	5/2012	Nguyen	D26/49
D674,943 S *	1/2013	Sheikh	D22/117
D743,599 S *	11/2015	Robinson	D26/49
D743,600 S *	11/2015	Robinson	D26/49

D767,805 S *	9/2016	Son	D26/49
D769,495 S *	10/2016	Bertken	D26/49
D794,237 S *	8/2017	Christensen	D26/49
D794,857 S *	8/2017	Sharrah	D26/49
D803,446 S *	11/2017	Green	D26/49
D809,171 S *	1/2018	Ma	D26/49
D814,087 S *	3/2018	Cao	D26/49

* cited by examiner

Primary Examiner — Michelle E. Wilson

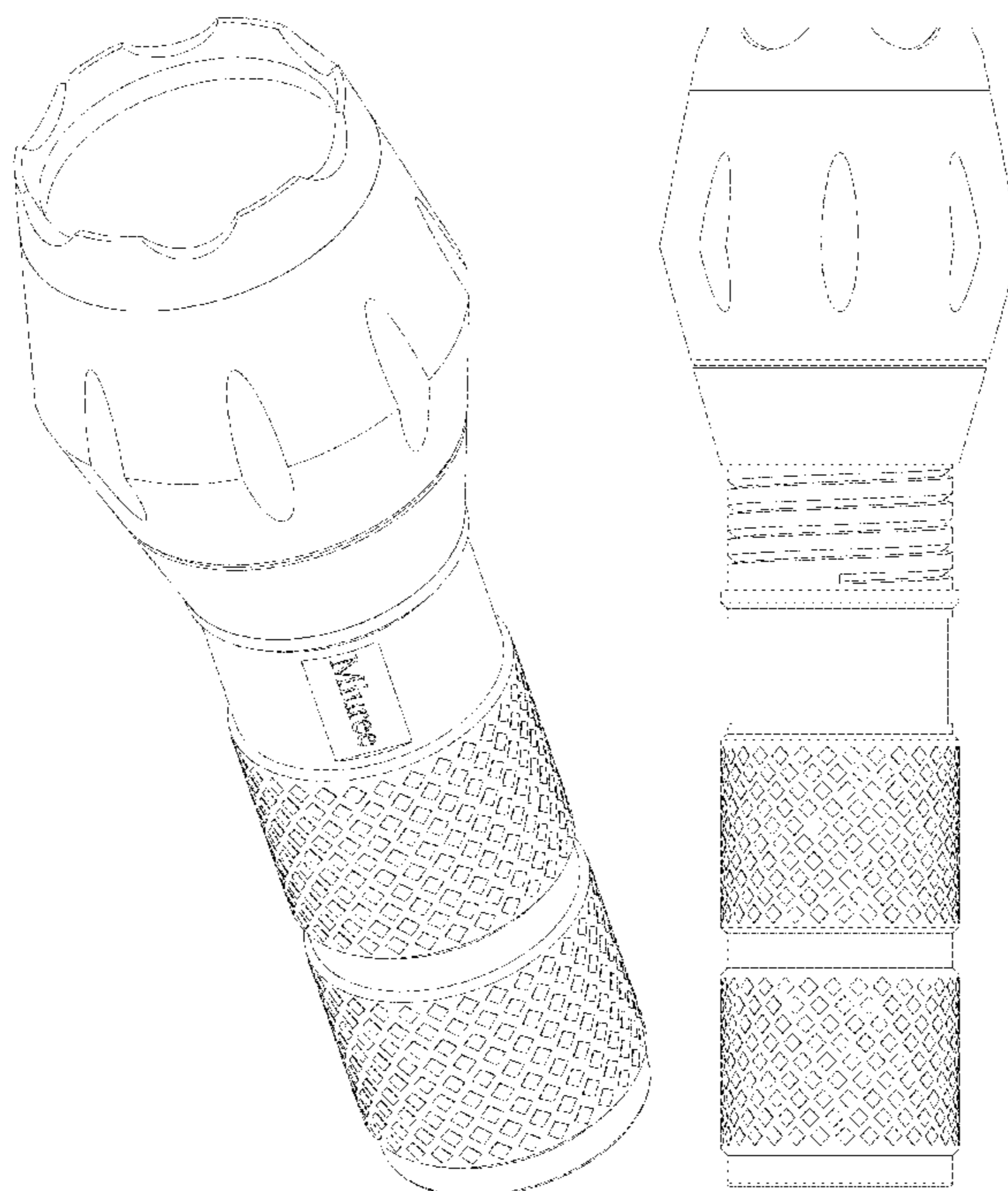
(57) **CLAIM**

The ornamental design for a flashlight, as shown.

DESCRIPTION

FIG. 1 is a front elevational view of a flashlight showing my new design;
 FIG. 2 is a rear elevational view thereof;
 FIG. 3 is a left side view thereof;
 FIG. 4 is a right side view thereof;
 FIG. 5 is a bottom plan view thereof;
 FIG. 6 is a top plan view thereof;
 FIG. 7 is a perspective view thereof;
 FIG. 8 is a second perspective view thereof;
 FIG. 9 is a third perspective view thereof;
 FIG. 10 is a front elevational view of a flashlight in extended state;
 FIG. 11 is a rear elevational view thereof;
 FIG. 12 is a left side view thereof;
 FIG. 13 is a right side view thereof;
 FIG. 14 is a bottom plan view thereof;
 FIG. 15 is a top plan view thereof;
 FIG. 16 is a perspective view thereof;
 FIG. 17 is a second perspective view thereof; and,
 FIG. 18 is a third perspective view thereof;

1 Claim, 18 Drawing Sheets



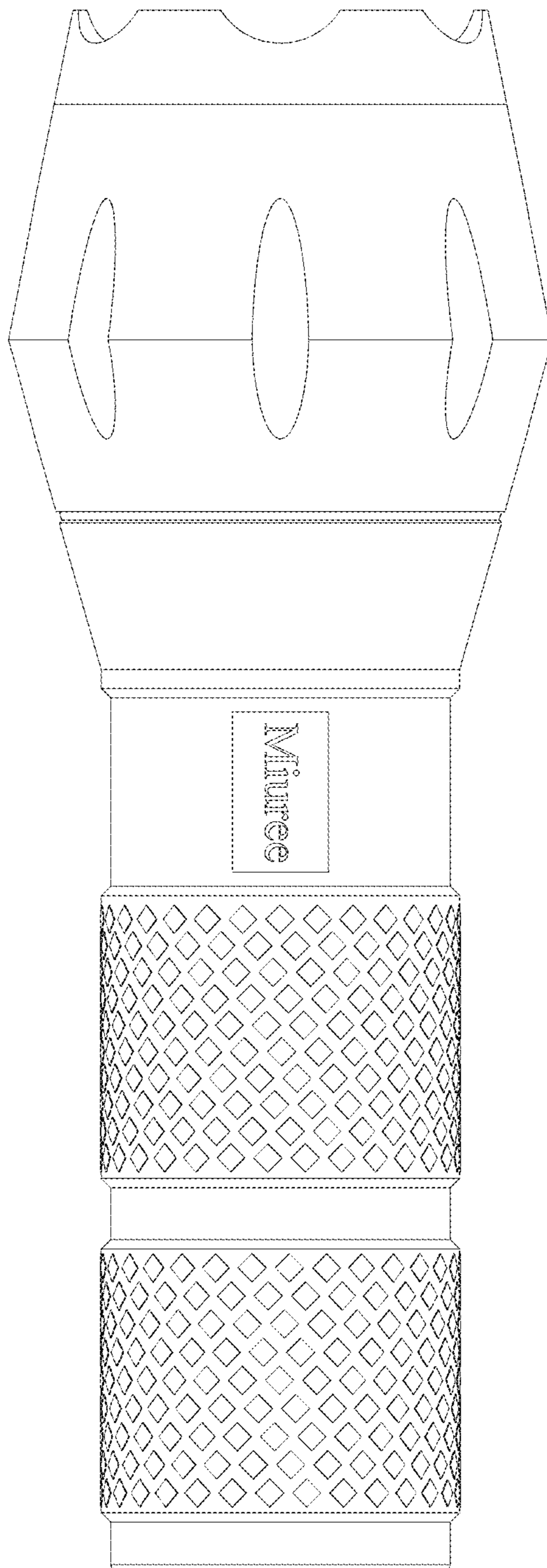


Fig. 1

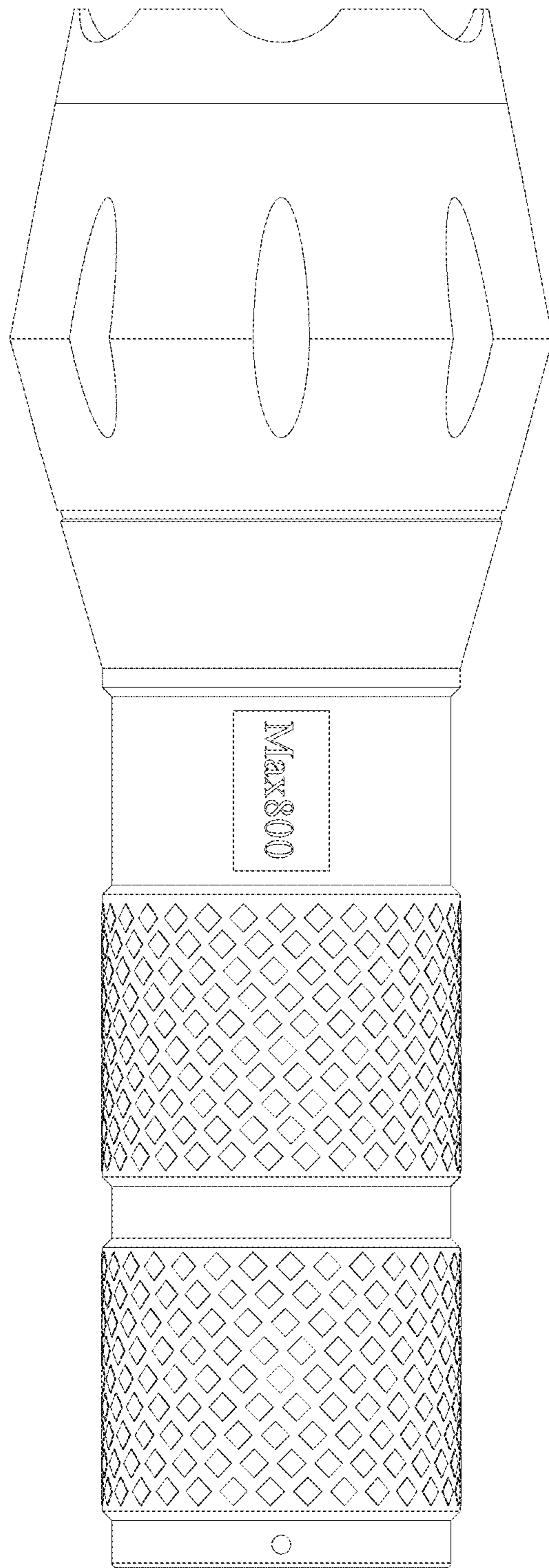


Fig. 2

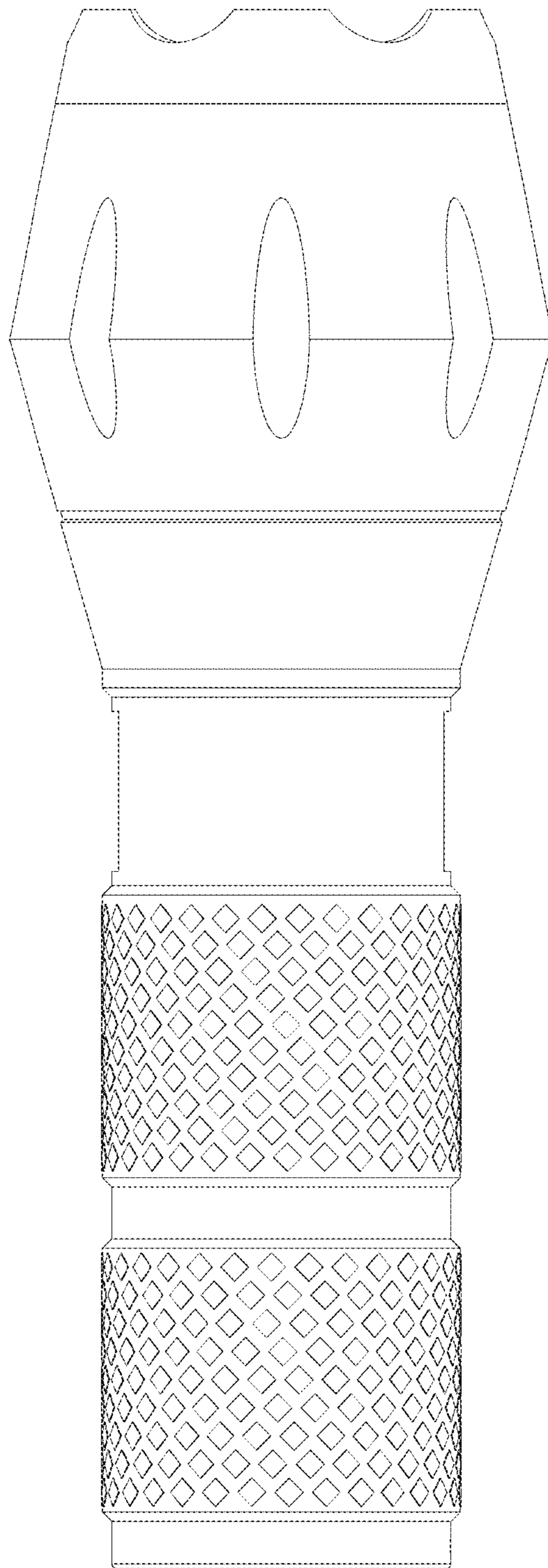


Fig. 3

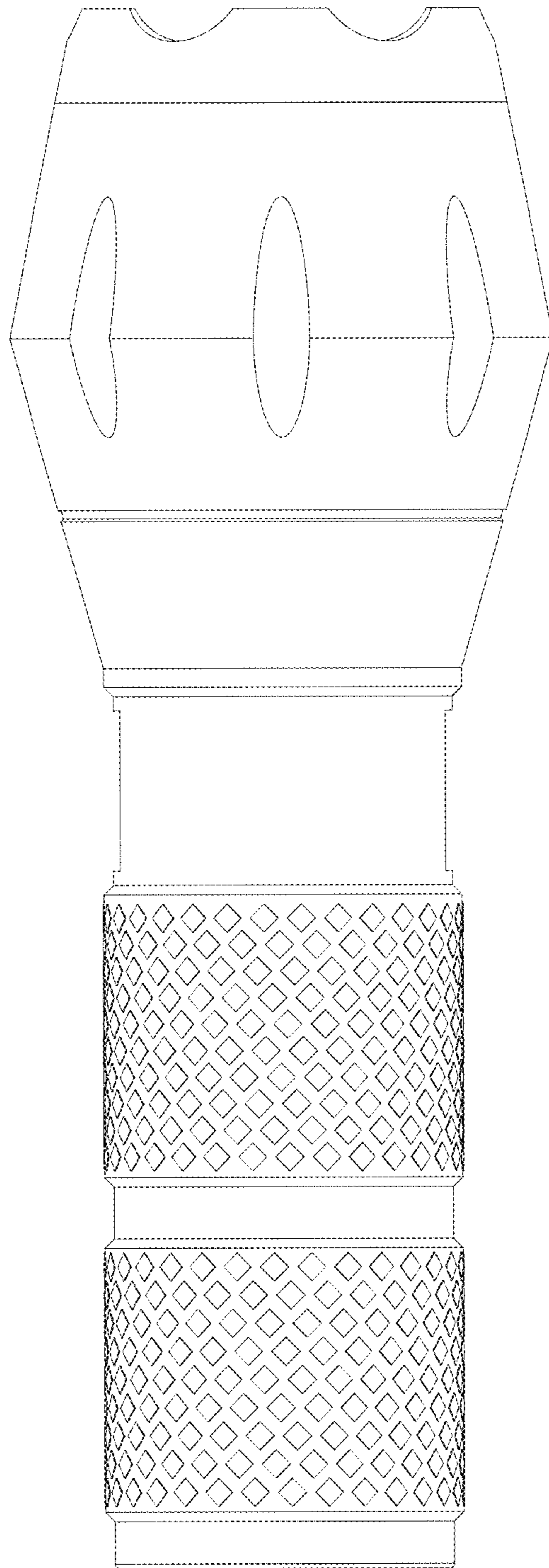


Fig. 4

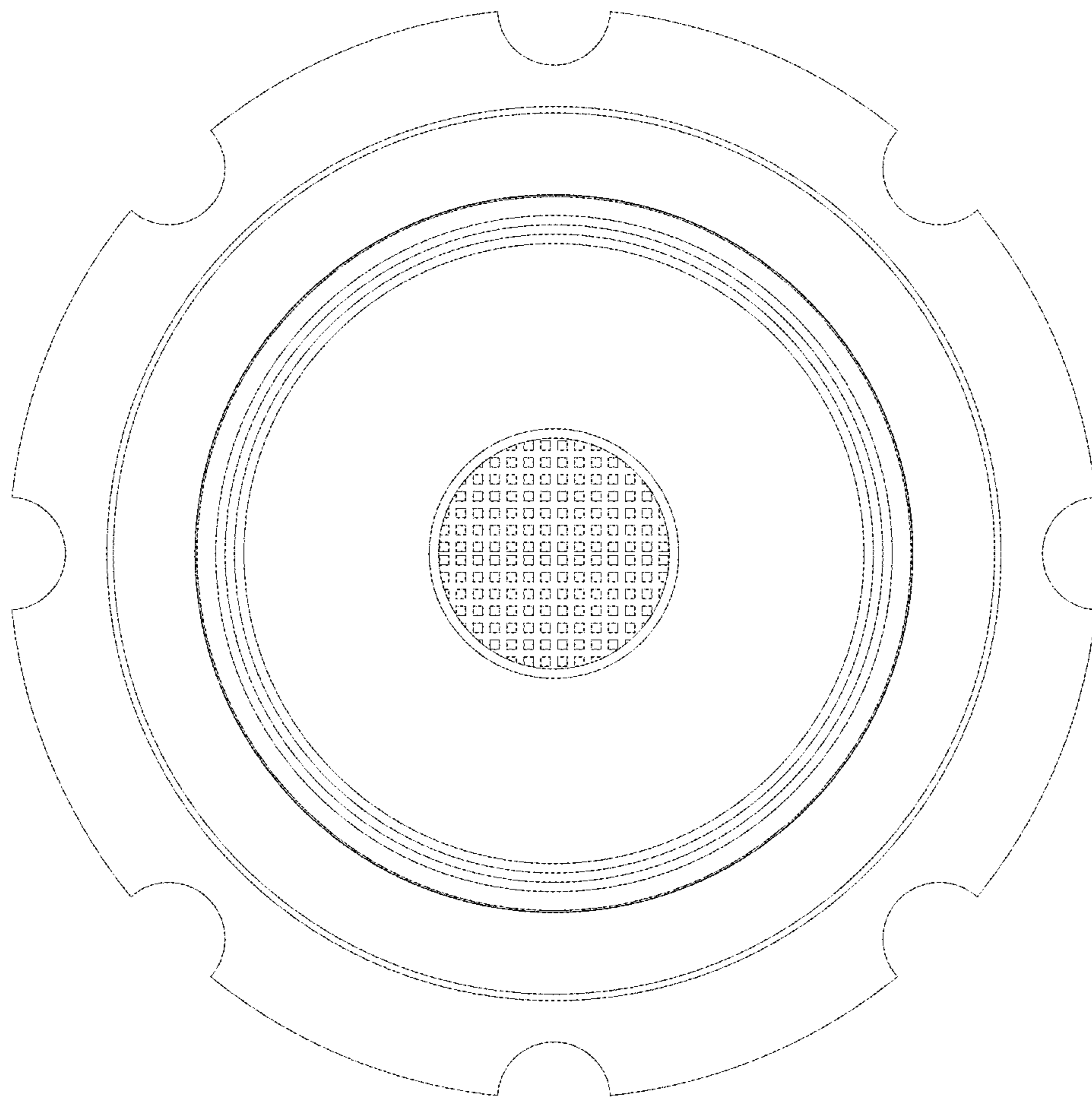


Fig. 5

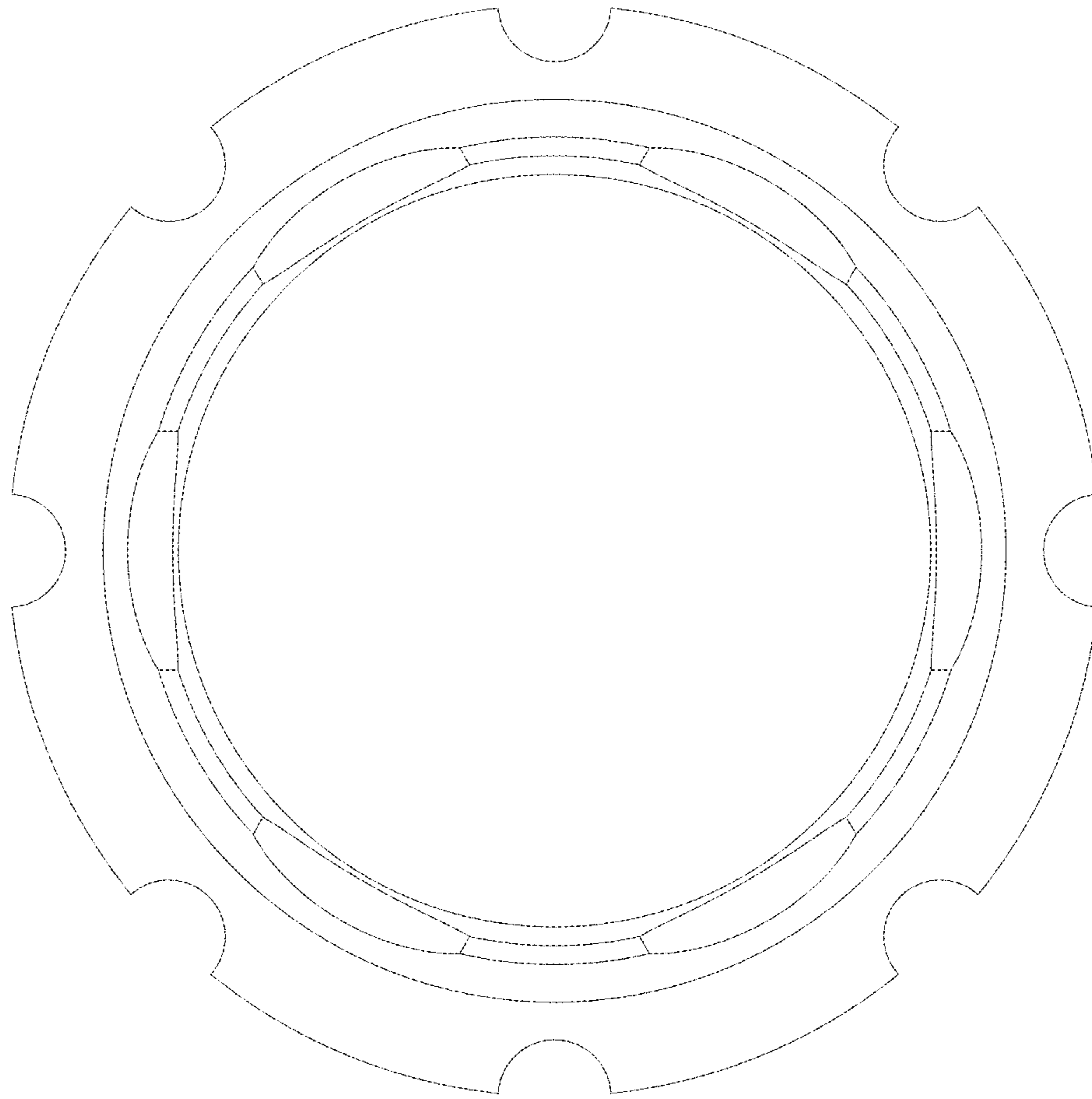


Fig. 6

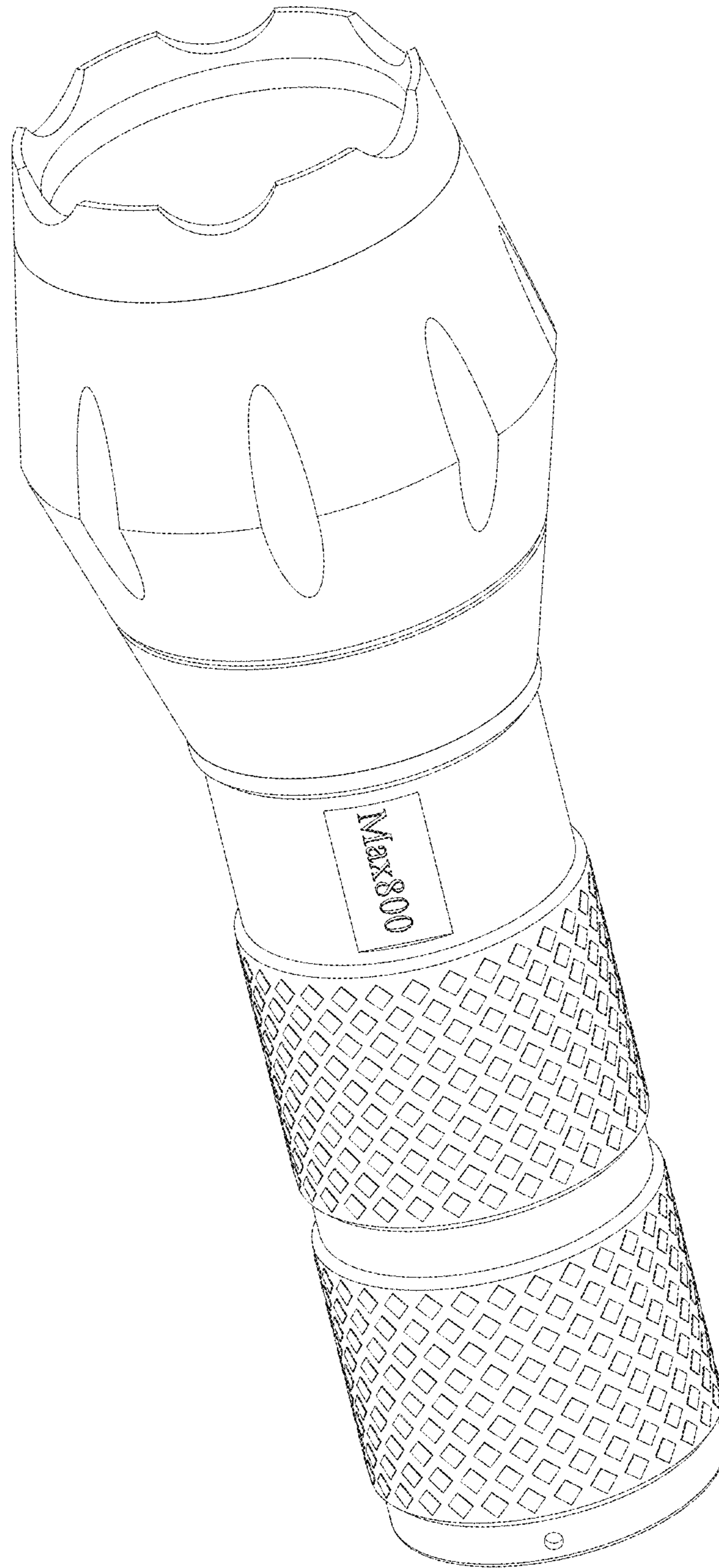


Fig. 7

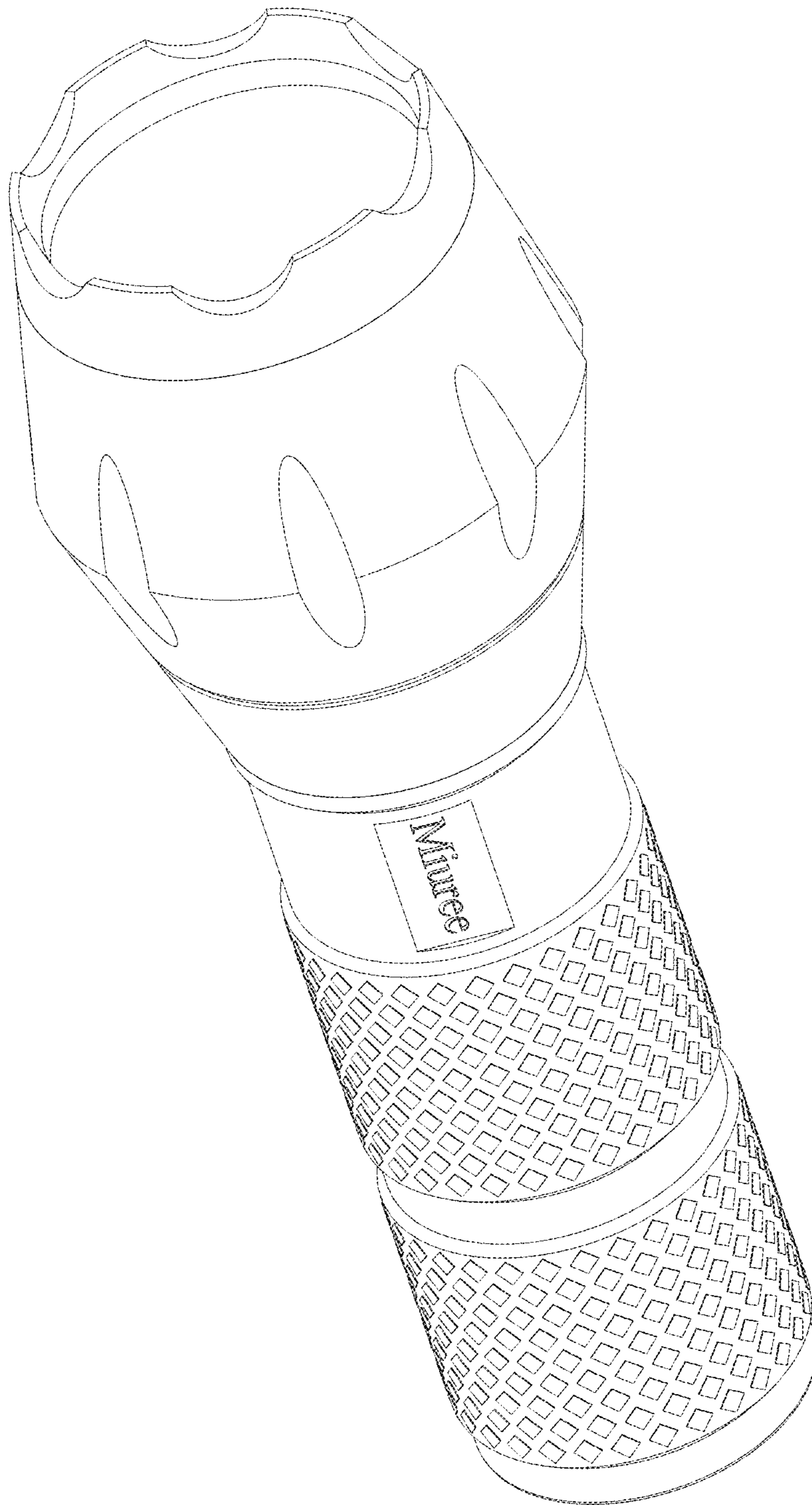


Fig. 8

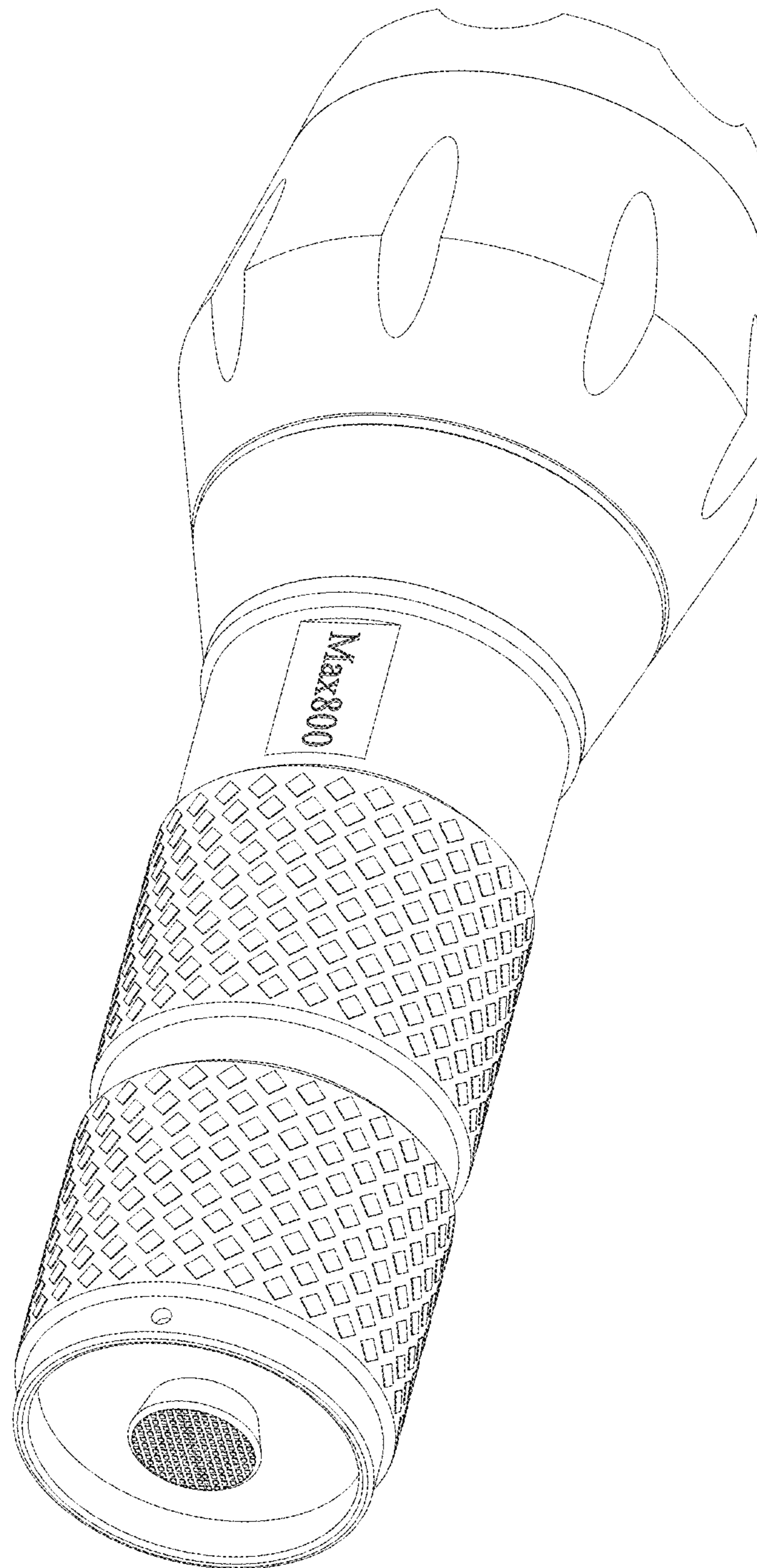


Fig. 9

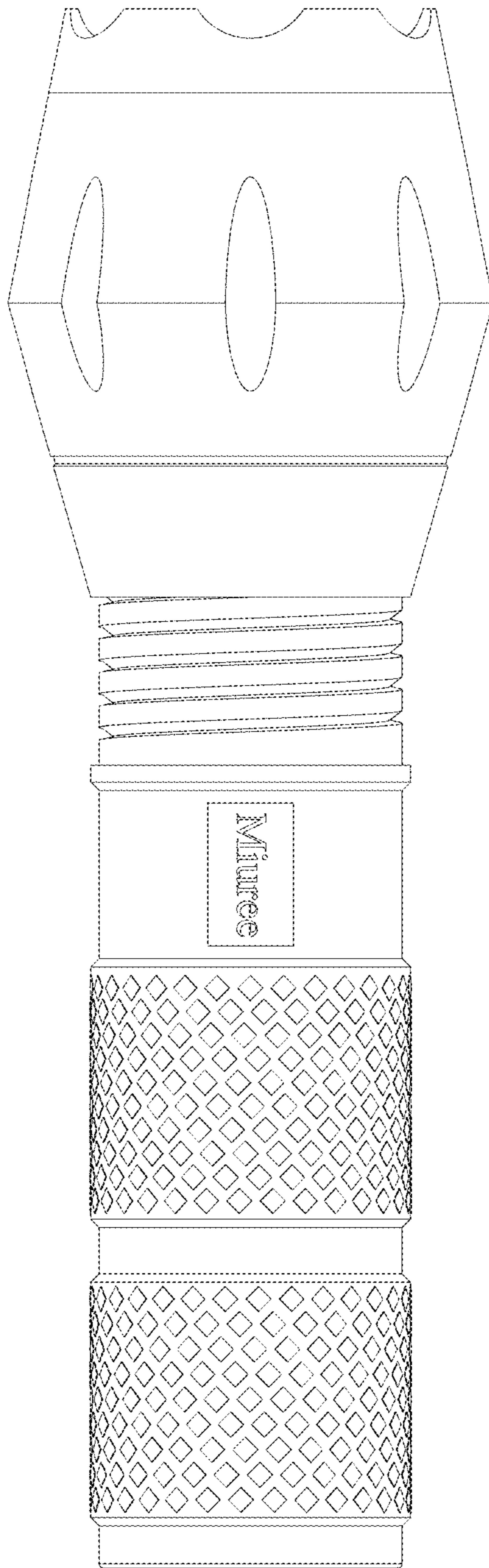


Fig. 10

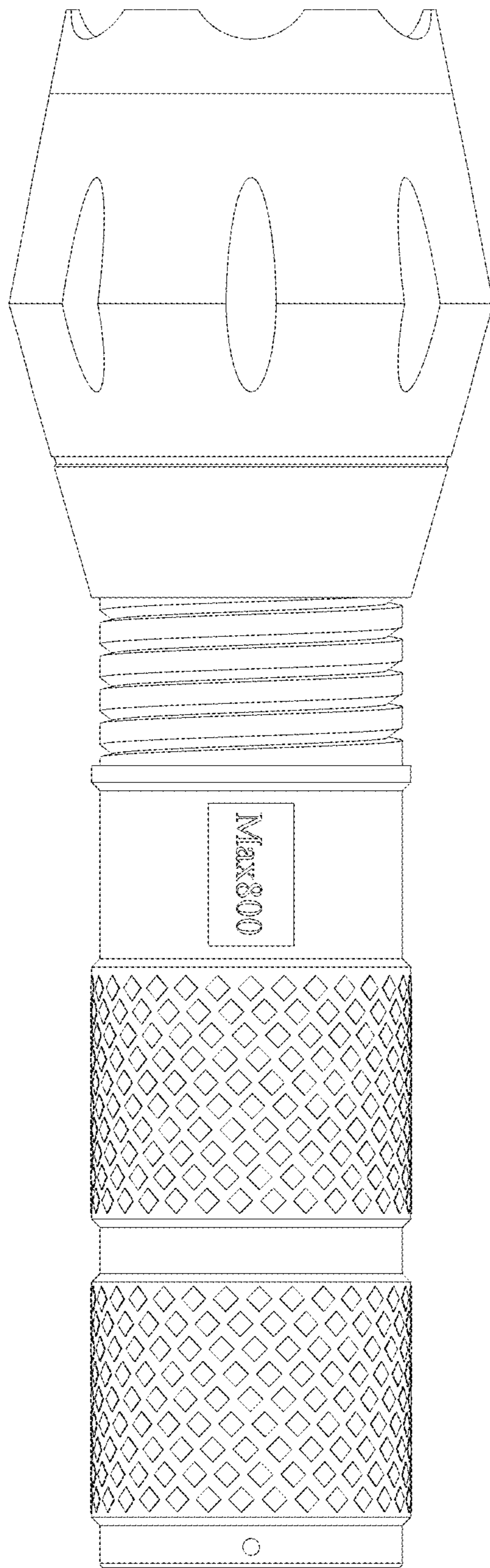


Fig. 11

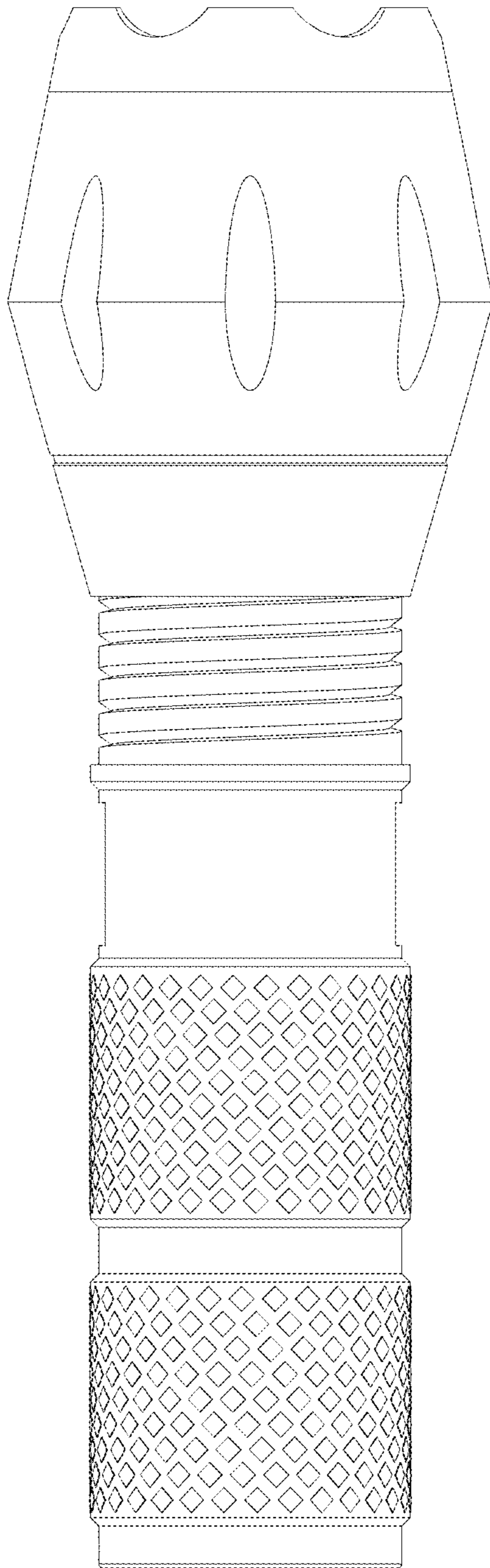


Fig. 12

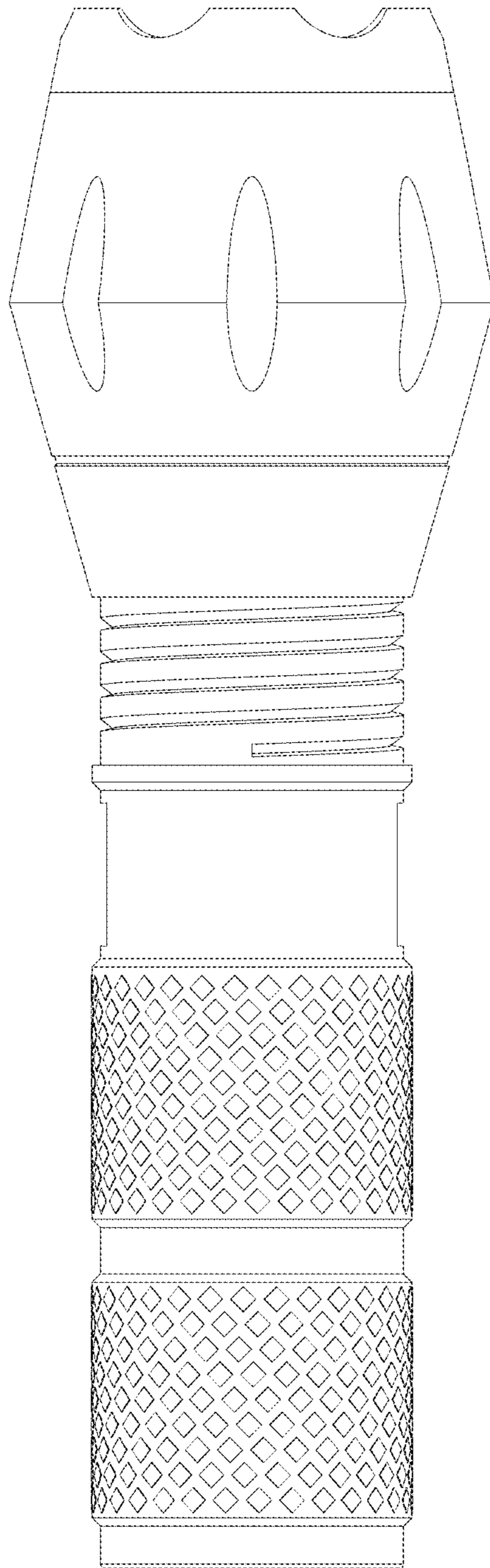


Fig. 13

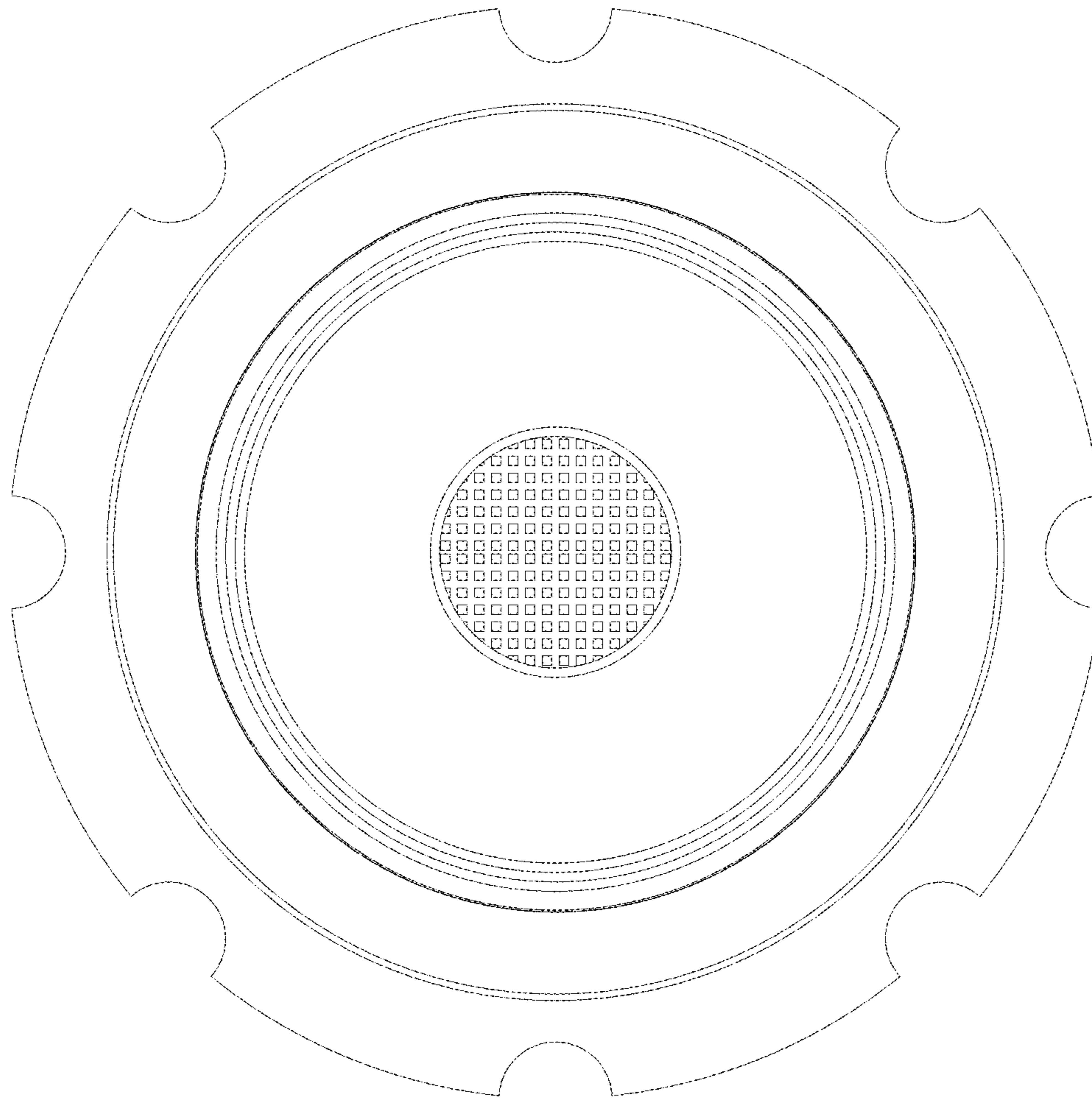


Fig. 14

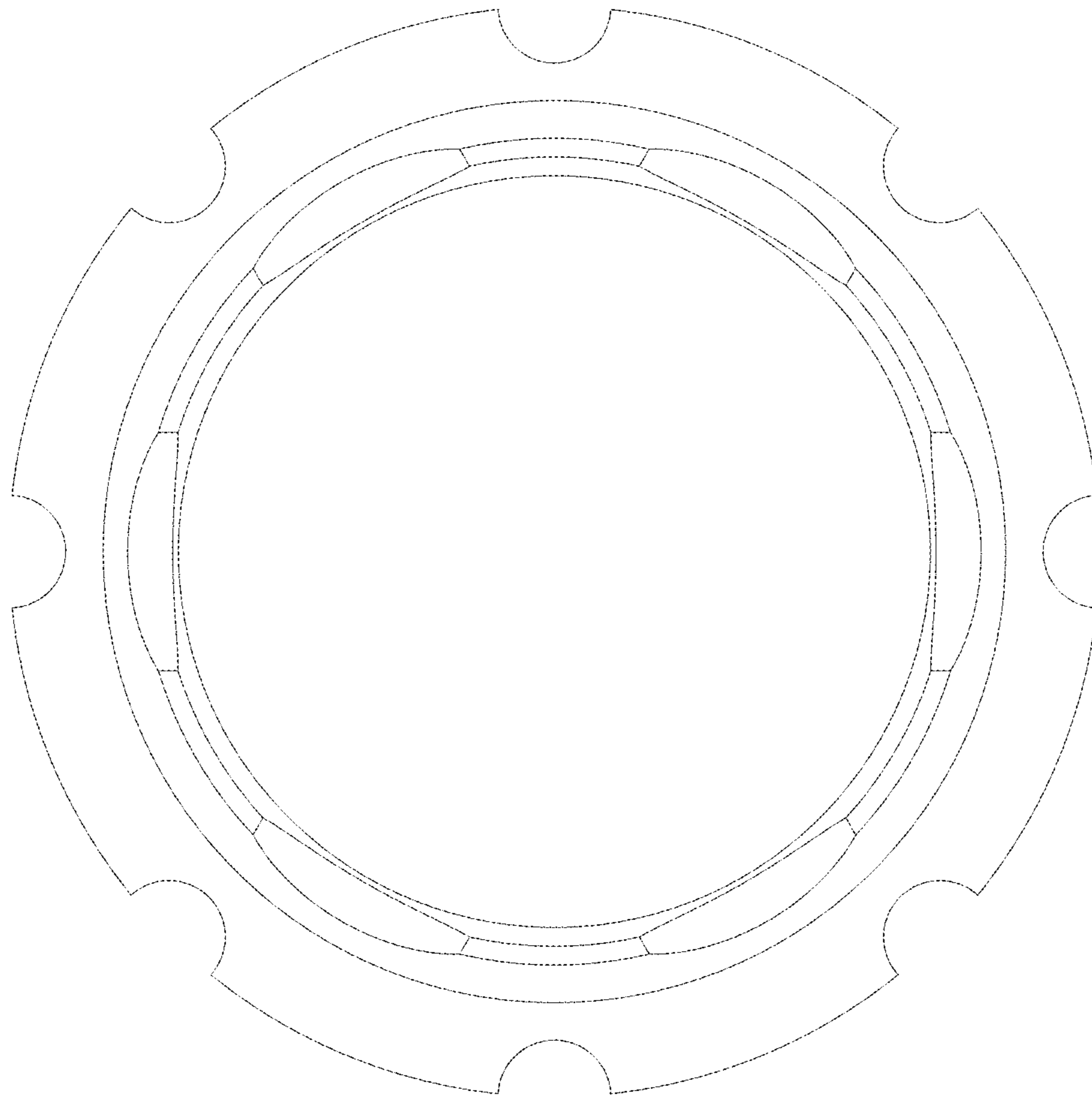


Fig. 15

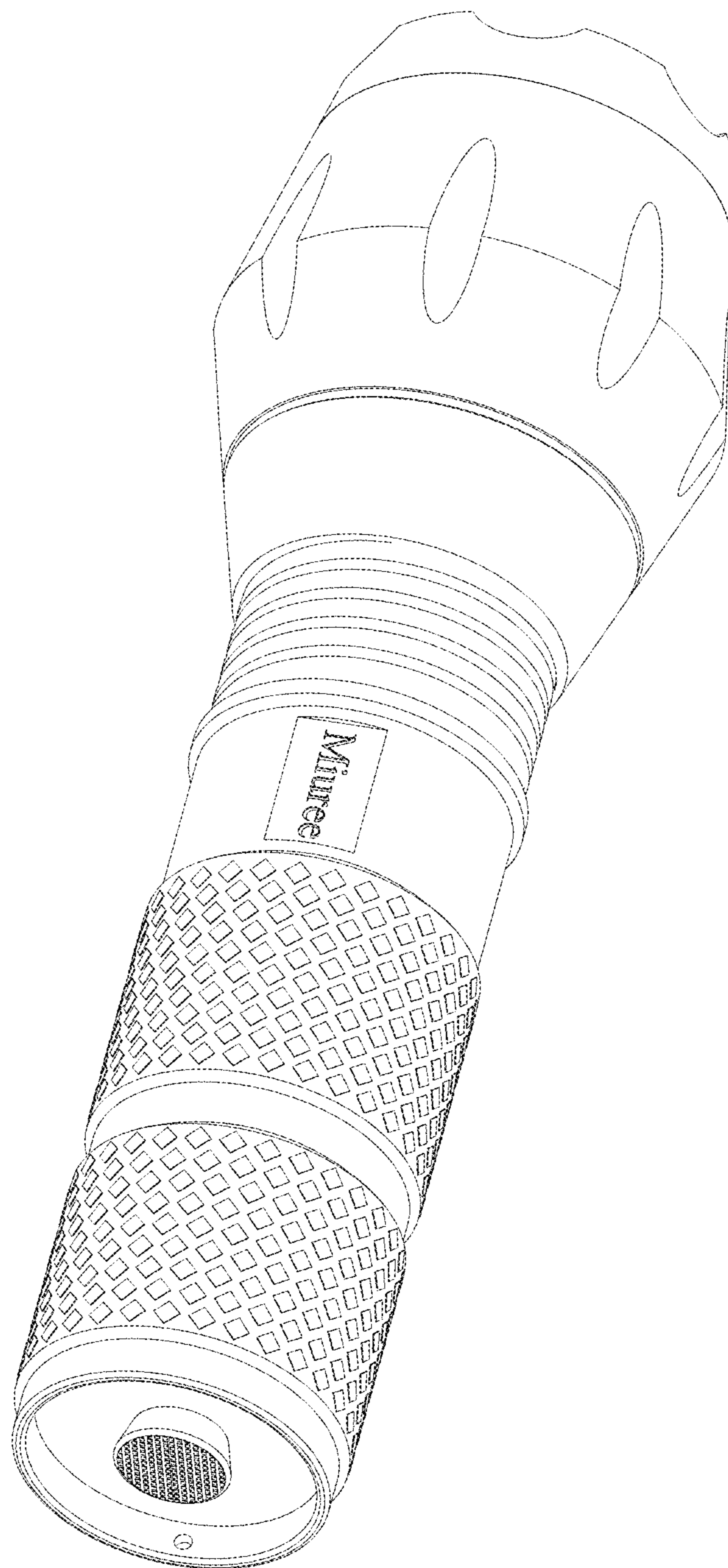


Fig. 16

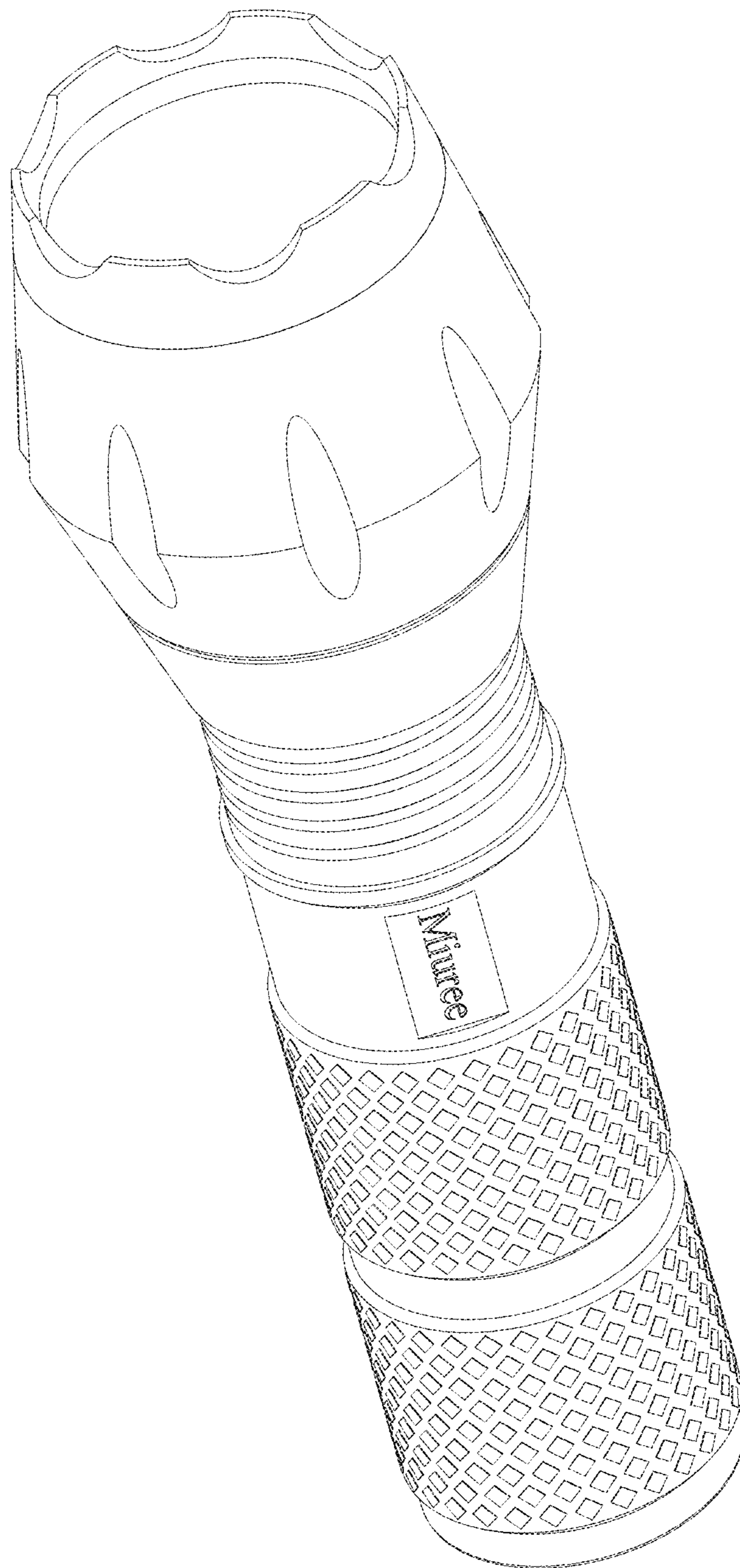


Fig. 17

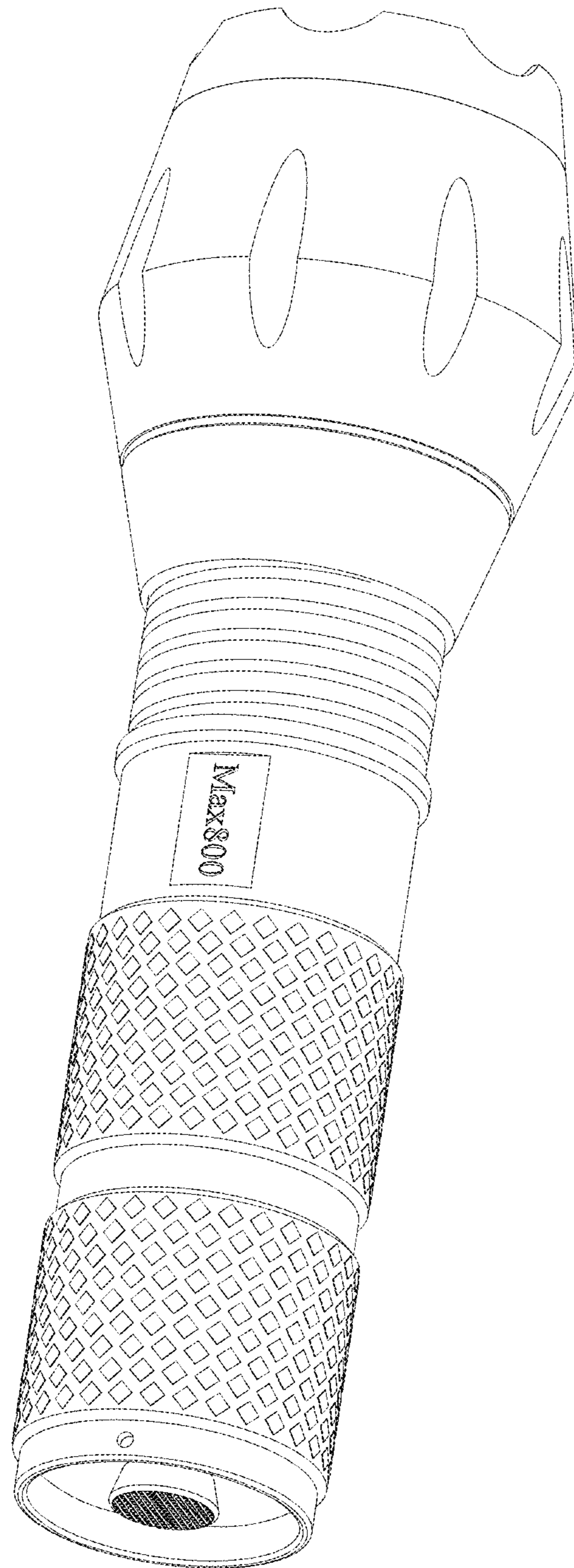


Fig. 18