



US00D930206S

(12) **United States Design Patent** (10) **Patent No.:** **US D930,206 S**
Sharrah et al. (45) **Date of Patent:** **** Sep. 7, 2021**

(54) **LIGHTING DEVICE**

(71) Applicant: **Streamlight, Inc.**, Eagleville, PA (US)

(72) Inventors: **Raymond L. Sharrah**, Collegetown, PA (US); **Cleatis Eichelberger**, East Norriton, PA (US)

(73) Assignee: **Streamlight, Inc.**, Eagleville, PA (US)

(**) Term: **15 Years**

(21) Appl. No.: **29/695,324**

(22) Filed: **Jun. 18, 2019**

(51) **LOC (13) Cl.** **26-02**

(52) **U.S. Cl.**
USPC **D26/44; D26/37**

(58) **Field of Classification Search**
USPC D26/37-44, 46-52; D10/109.1, 111-115
CPC F21V 21/08; F21V 23/005; F21V 21/0885;
F21V 23/0414; F21L 4/04; F21L 4/00;
F21W 2111/10; F21Y 2115/10; B25B
23/18

See application file for complete search history.

(56) **References Cited**

U.S. PATENT DOCUMENTS

D448,873 S *	10/2001	Dalton	D26/37
D498,551 S *	11/2004	Chan	D26/37
D526,734 S *	8/2006	Brown	D26/39
D614,334 S *	4/2010	Thomson	D26/38
D630,355 S *	1/2011	Gulker	D26/37
D636,919 S *	4/2011	Wang	D26/63
D645,179 S *	9/2011	Gulker	D26/37
D656,647 S *	3/2012	Hodgson	D26/44
D665,522 S *	8/2012	Werner	D26/37
D710,527 S *	8/2014	Brown	D26/63
D796,099 S *	8/2017	Bao	D26/63
D800,939 S *	10/2017	Cai	D26/65
D828,938 S *	9/2018	Hou	D26/38

(Continued)

FOREIGN PATENT DOCUMENTS

CN 301172159 * 4/2010 F21V 21/0832
CN 302768571 * 3/2014

(Continued)

OTHER PUBLICATIONS

“OttLite LED Mini Flip Lite,” Aug. 30, 2010, amazon.com, site visited Jul. 28, 2021, URL: <https://www.amazon.com/OttLite-490G59-Mini-Flip-Black/dp/B003YMLLBS/> (Year: 2010).*

(Continued)

Primary Examiner — Eric L Goodman

Assistant Examiner — Sarah L Smith

(74) *Attorney, Agent, or Firm* — Quarles & Brady LLP; James J. Aquilina

(57) **CLAIM**

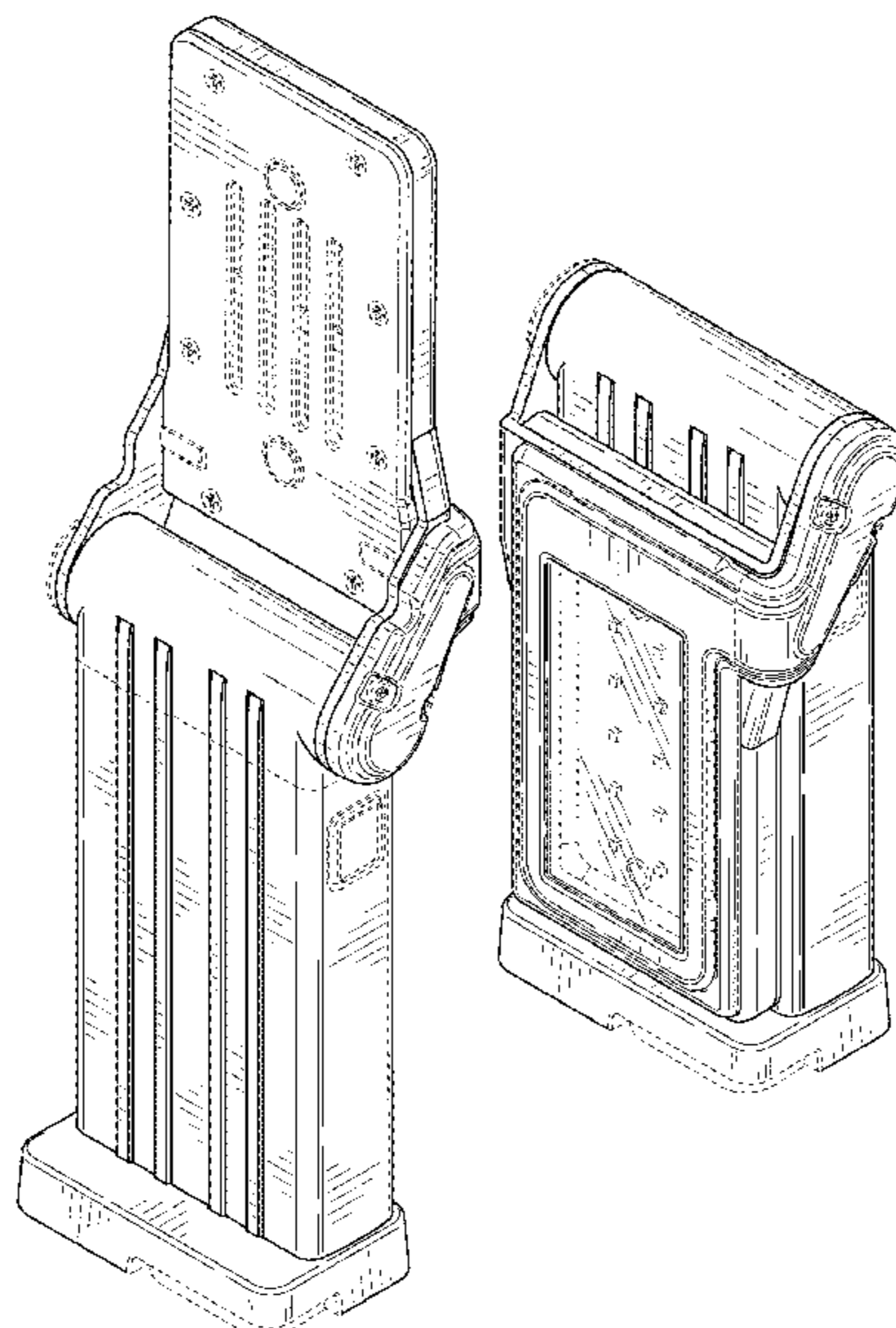
The ornamental design for a lighting device, as shown and described.

DESCRIPTION

FIG. 1 is a front perspective view of a lighting device showing our new design, in an unfolded configuration; FIG. 2 is a front view thereof; FIG. 3 is a rear view thereof; FIG. 4 is a right side view thereof; FIG. 5 is a left side view thereof; FIG. 6 is a top view thereof; and, FIG. 7 is a front perspective view thereof, in a folded configuration.

The dashed broken lines in the Figures show unclaimed portions of the lighting device. The oblique line shading in FIGS. 3 and 7 show translucent or transparent materials. The bottom view is omitted and forms no part of the claimed design.

1 Claim, 5 Drawing Sheets



(56)

References Cited

U.S. PATENT DOCUMENTS

D851,308 S * 6/2019 Ohara F21V 7/05
 D26/41
 D862,759 S * 10/2019 Mo D26/65
 D882,838 S * 4/2020 Mao F21V 29/70
 D26/37
 D896,425 S * 9/2020 Saboo F21V 29/75
 D26/65
 2004/0097277 A1 * 5/2004 Shimamura H04M 1/7246
 455/575.3
 2004/0114357 A1 * 6/2004 Dalton F21V 21/145
 362/190
 2012/0033414 A1 * 2/2012 Sharrah F21L 4/08
 362/183
 2013/0182424 A1 * 7/2013 Staeubli F21V 29/75
 362/191
 2014/0254149 A1 * 9/2014 Wang F21V 7/05
 362/235
 2015/0167943 A1 * 6/2015 Rugendyke F21V 29/70
 362/294
 2017/0130912 A1 * 5/2017 Keller F21V 7/0025

FOREIGN PATENT DOCUMENTS

GB 6060369 * 5/2019
 KR 1708766 B1 * 2/2017 F21L 4/08
 WO WO-2012018723 A1 * 2/2012 F21V 21/0832

OTHER PUBLICATIONS

“Bauer 20 Volt Lithium-Ion Cordless Compact Flashlight,” Feb. 13, 2018, amazon.com, site visited Jul. 28, 2021, URL: https://www.amazon.com/Bauer-Lithium-Ion-Cordless-Compact-Flashlight/dp/B079SMKLCC/ref=sr_1_3?dchild=1&keywords=bauer+flashlight&qid=1627502804&s=hi&sr=1-3 (Year: 2018).*

“COB Led Work Light,” Apr. 10, 2019, amazon.com, site visited Jul. 28, 2021, URL: https://www.amazon.com/Rechargeable-Magnetic-Adjustable-Inspection-Emergency/dp/B07QKHQPQD/ref=sr_1_83?dchild=1&keywords=flip+work+light&qid=1627503367&s=hi&sr=1-83 (Year: 2019).*

NEBO Slim Rechargeable 500 Lumens Flashlights, [online], [Retrieved on Jun. 10, 2019], Retrieved from the internet: <<https://www.nebotools.com/p/SLIM/542>>.

NEBO TiNO AAA 300 Lumens Flashlights, [online], [Retrieved on Jun. 10, 2019], Retrieved from the internet: <https://www.nebotools.com/p/TiNO/629?gclid=CI_curiF3-ICFZCOyAodGu8AUA>.

* cited by examiner

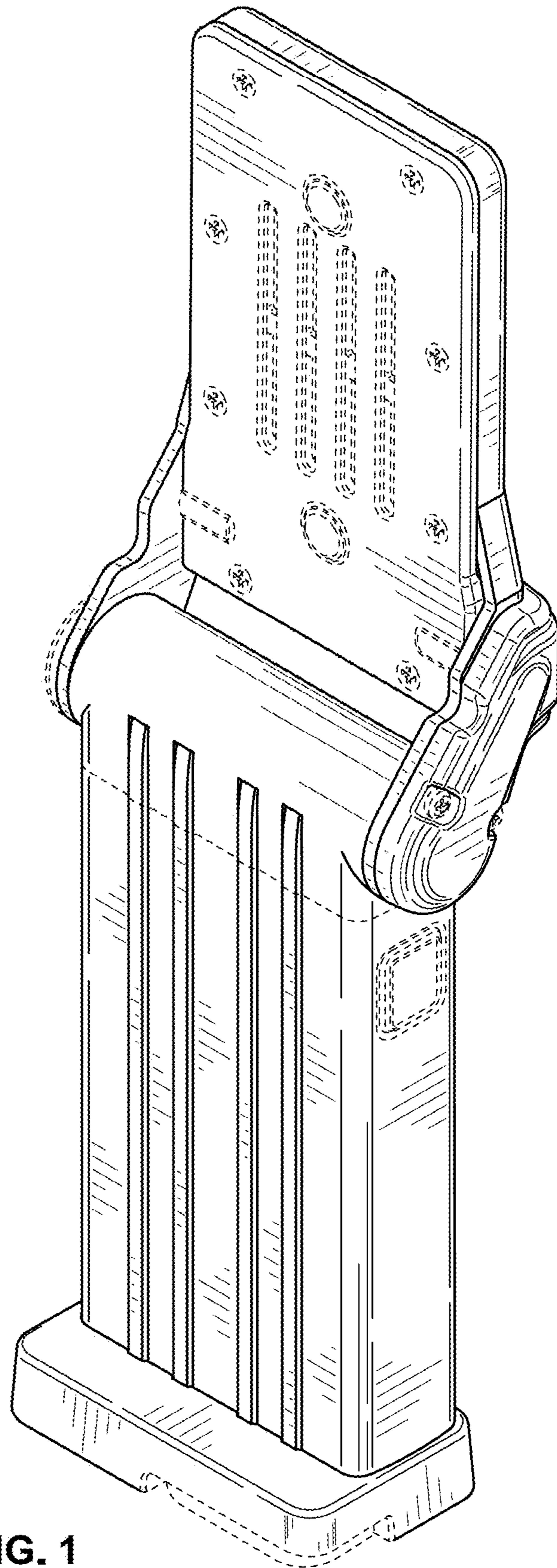


FIG. 1

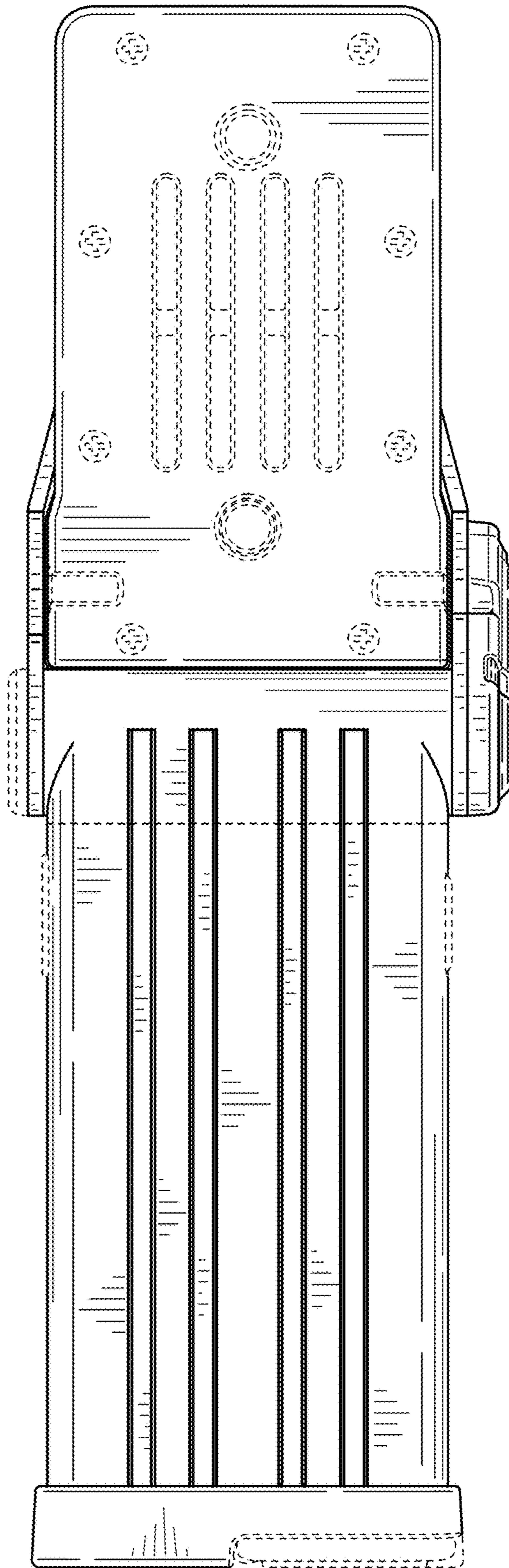


FIG. 2

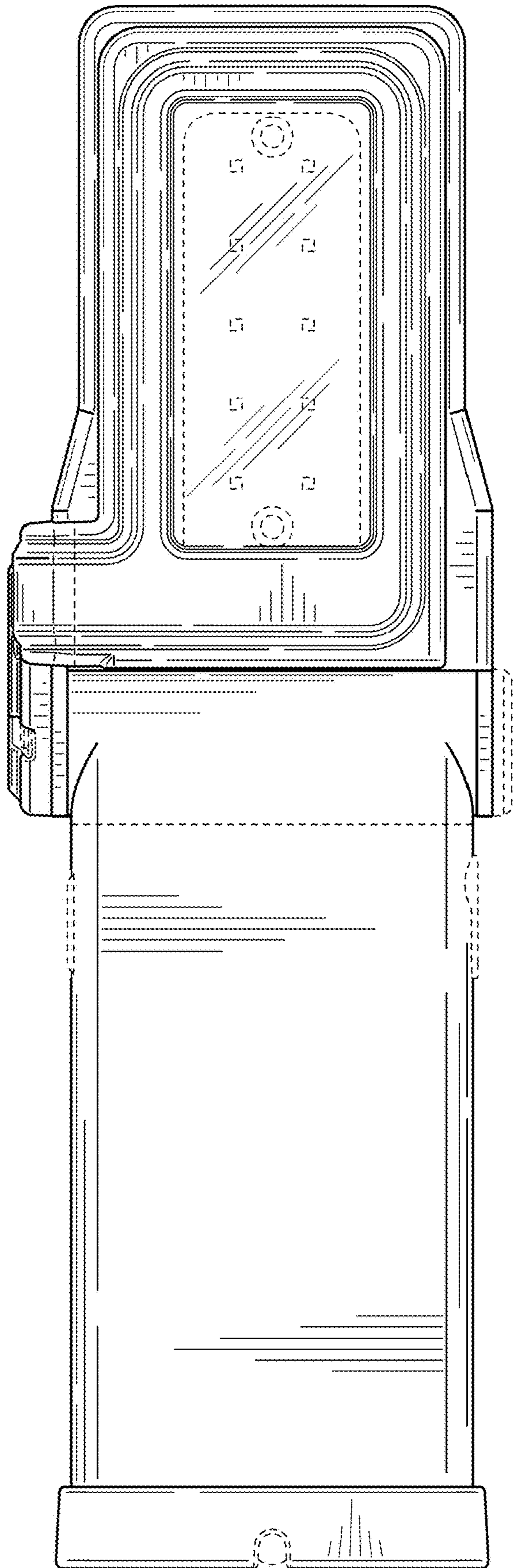


FIG. 3

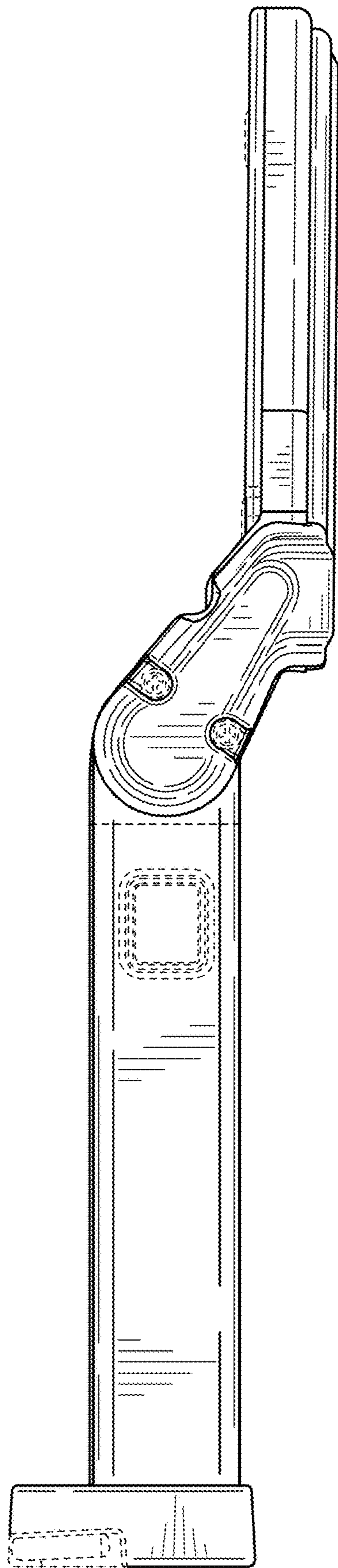


FIG. 4

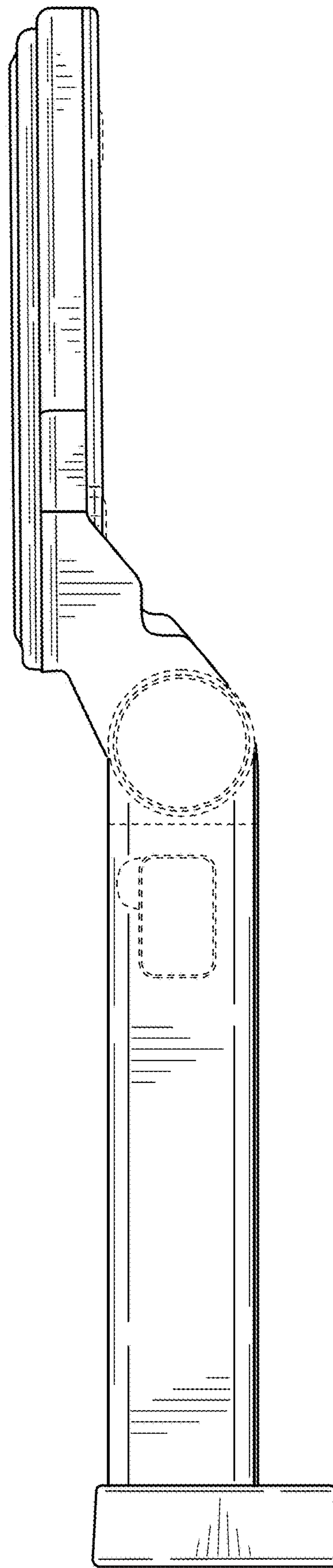


FIG. 5

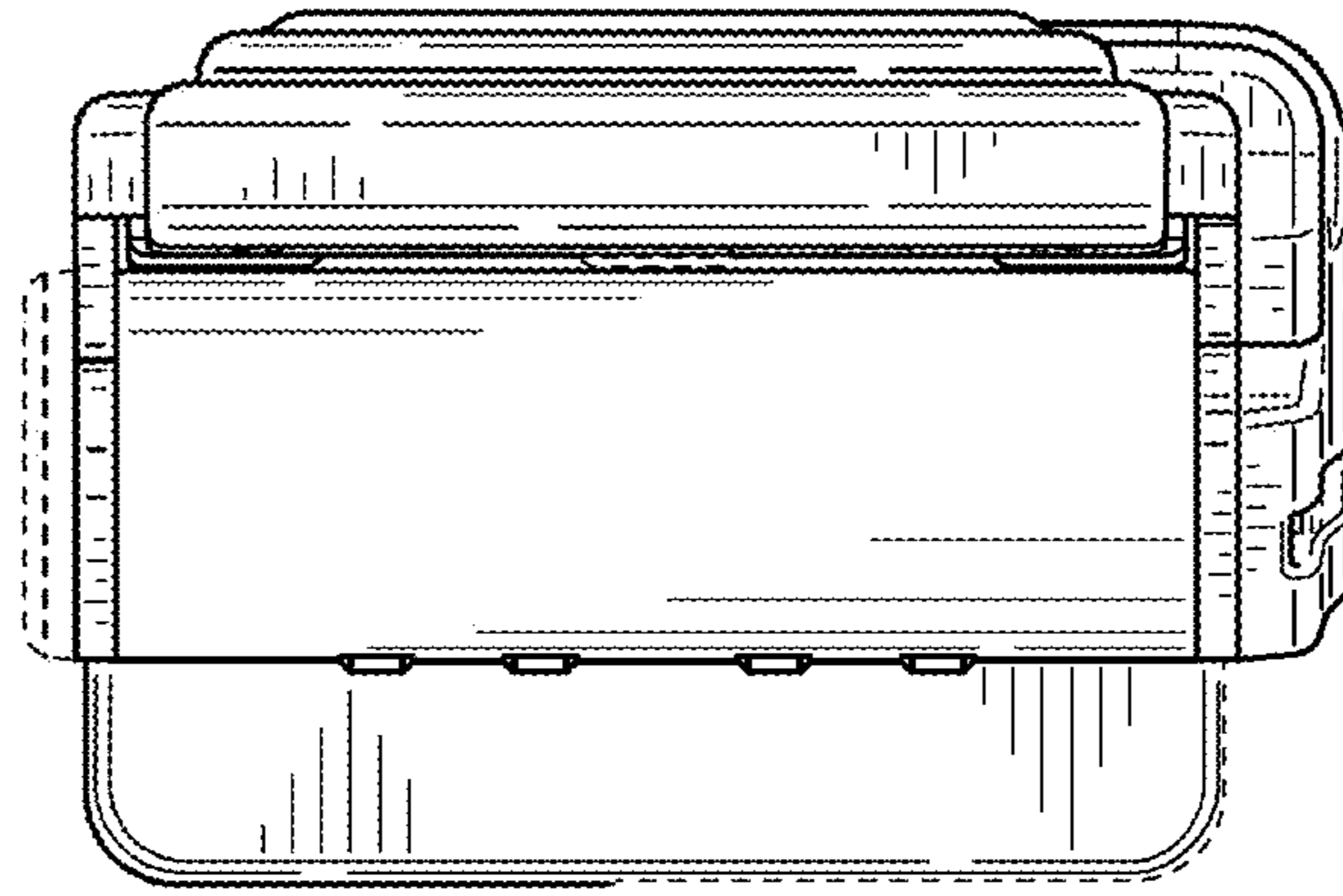


FIG. 6

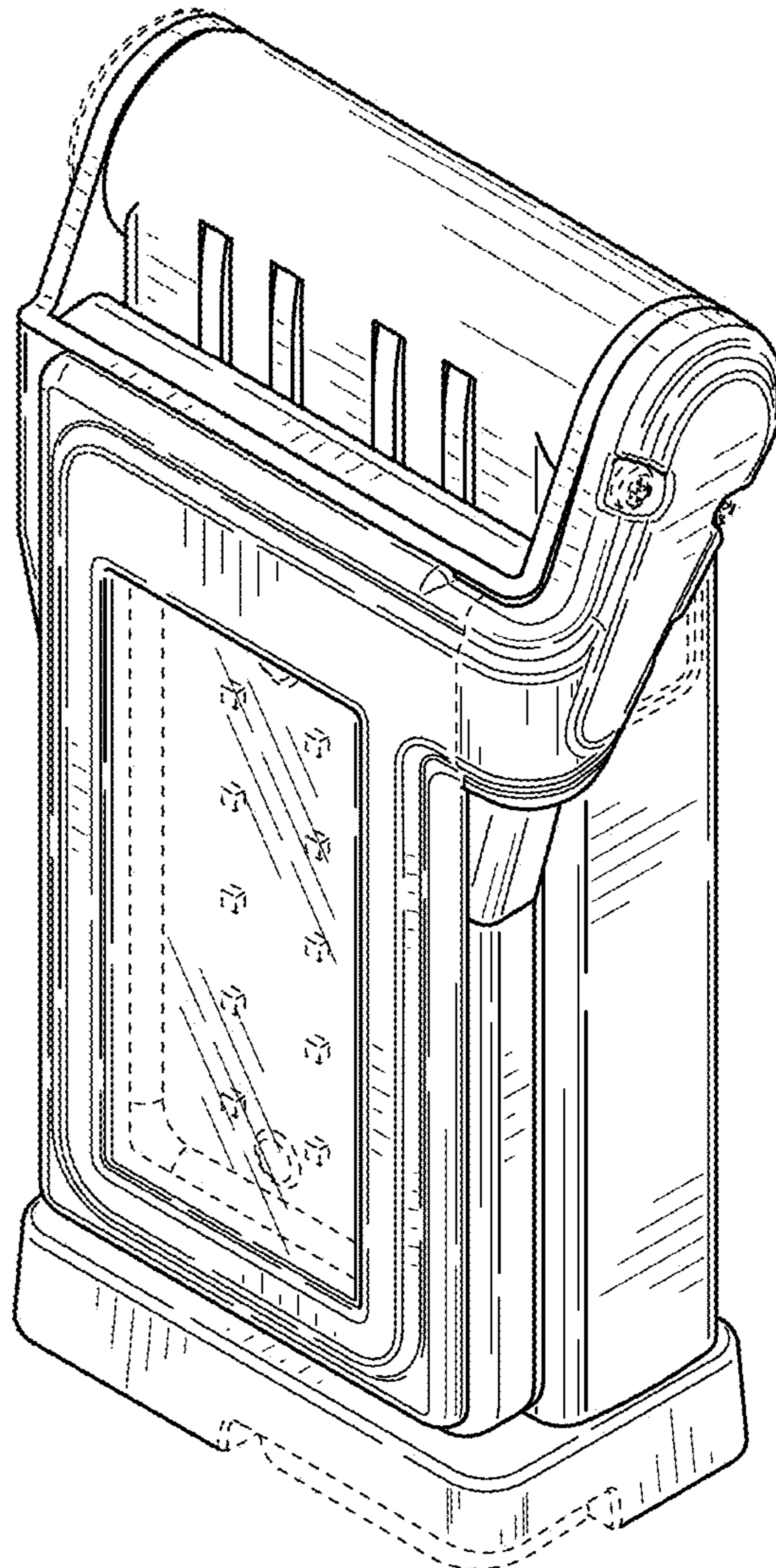


FIG. 7