

US00D930205S

(12) **United States Design Patent** (10) **Patent No.:** **US D930,205 S**
Bao (45) **Date of Patent:** **** Sep. 7, 2021**

(54) **LAMP**
(71) Applicant: **YUYAO YUCHANG ELECTRICAL APPLIANCE CO., LTD.**, Zhejiang (CN)
(72) Inventor: **Yong Bao**, Zhejiang (CN)
(73) Assignee: **YUYAO YUCHANG ELECTRICAL APPLIANCE CO., LTD.**, Zhejiang (CN)
(**) Term: **15 Years**

D721,841 S * 1/2015 Kwon D26/37
D739,063 S * 9/2015 Su D26/42
D742,568 S * 11/2015 Abernethy D26/42
D750,303 S * 2/2016 Levy D26/37
D750,825 S * 3/2016 Bryant D26/42
D757,971 S * 5/2016 Kovacic D26/37
D806,923 S * 1/2018 Koshiba D26/42
D810,335 S * 2/2018 Levy D26/37
D816,876 S * 5/2018 Bao D26/37
D818,166 S * 5/2018 Bao D26/44
D831,248 S * 10/2018 Kuhls D26/37
D835,821 S * 12/2018 Bao D26/44
D839,462 S * 1/2019 Chen D26/42
D840,074 S * 2/2019 Bao D26/42
D840,075 S * 2/2019 Bao D26/44

(Continued)

(21) Appl. No.: **29/655,839**

(22) Filed: **Jul. 9, 2018**

(30) **Foreign Application Priority Data**

Feb. 13, 2018 (CN) 201830069285.3

(51) **LOC (13) Cl.** **26-02**

(52) **U.S. Cl.**
USPC **D26/44; D26/49**

(58) **Field of Classification Search**
USPC D26/37-51
CPC F21L 2003/00; F21L 4/00; F21L 4/005;
F21L 4/02; F21L 4/025; F21L 4/027;
F21L 4/04; F21L 4/08; F21L 2005/00;
F21L 7/00; F21L 11/00; F21L 13/00;
F21L 13/04; F21L 13/08; F21L 14/02;
F21L 17/00; F21L 19/00; F21L 25/00
See application file for complete search history.

(56) **References Cited**

U.S. PATENT DOCUMENTS

D541,962 S * 5/2007 Bayat D26/42
D543,301 S * 5/2007 Chen D26/42
D698,959 S * 2/2014 Shen D26/46
D703,357 S * 4/2014 Grandadam D26/44
D708,376 S * 7/2014 Crowe D26/37

FOREIGN PATENT DOCUMENTS

EM 005280088-0002 * 6/2018

Primary Examiner — Leanne Was-Englehart

(74) *Attorney, Agent, or Firm* — JCIPRNET

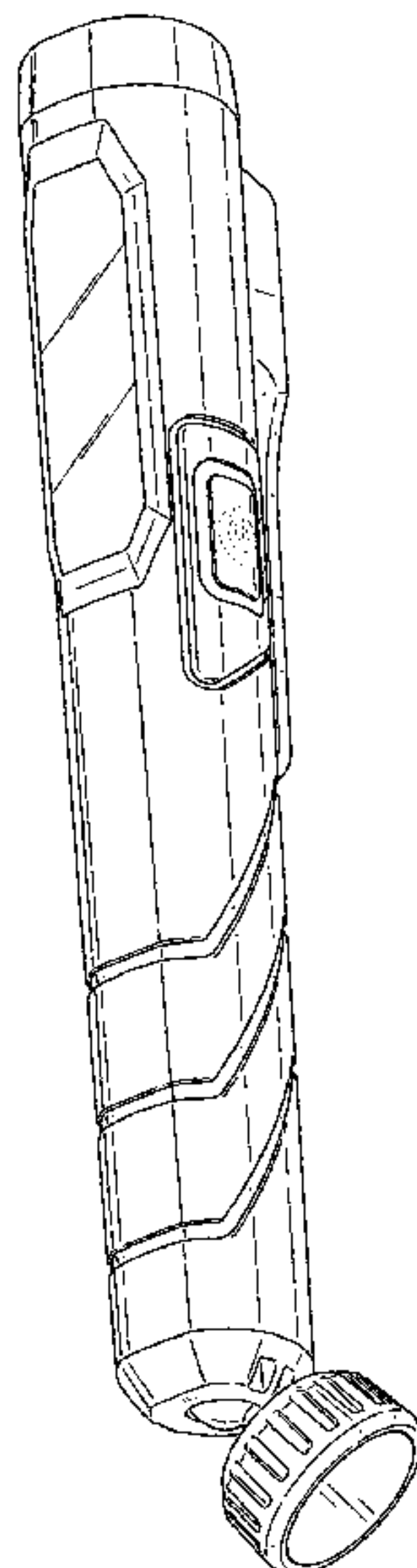
(57) **CLAIM**

The ornamental design for a lamp, as shown and described.

DESCRIPTION

FIG. 1 is a perspective view of a lamp showing our new design;
FIG. 2 is a front view thereof;
FIG. 3 is a rear view thereof;
FIG. 4 is a left side view thereof;
FIG. 5 is a right side view thereof;
FIG. 6 is a top view thereof;
FIG. 7 is a bottom view thereof; and,
FIG. 8 is another perspective view thereof shown in a state of use an alternate position.
The broken lines showing portions of the lamp represent unclaimed portions of the claimed design and form no part of the claimed design.

1 Claim, 7 Drawing Sheets



(56)

References Cited

U.S. PATENT DOCUMENTS

D844,873	S	*	4/2019	Koshiba	D26/46
D854,207	S	*	7/2019	Zheng	D26/44
D855,228	S	*	7/2019	Cooper	D26/44
D858,837	S	*	9/2019	Vasquez	D26/60
D864,450	S	*	10/2019	Chen	D26/42
D879,344	S	*	3/2020	Bao	D26/42
D904,658	S	*	12/2020	Bao	D26/42

* cited by examiner

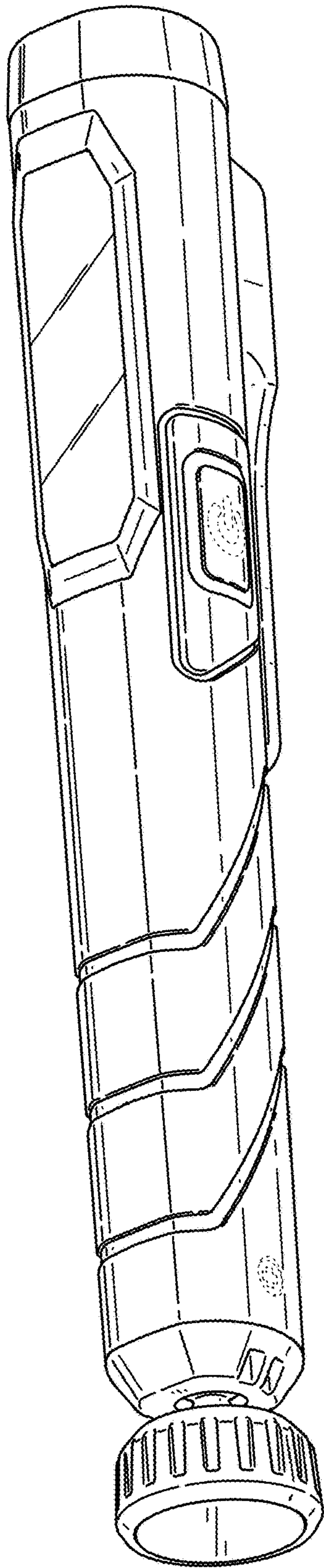


FIG. 1

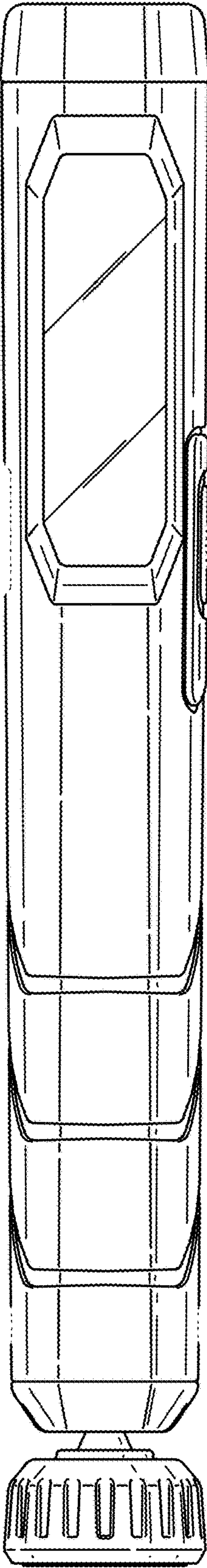


FIG. 2

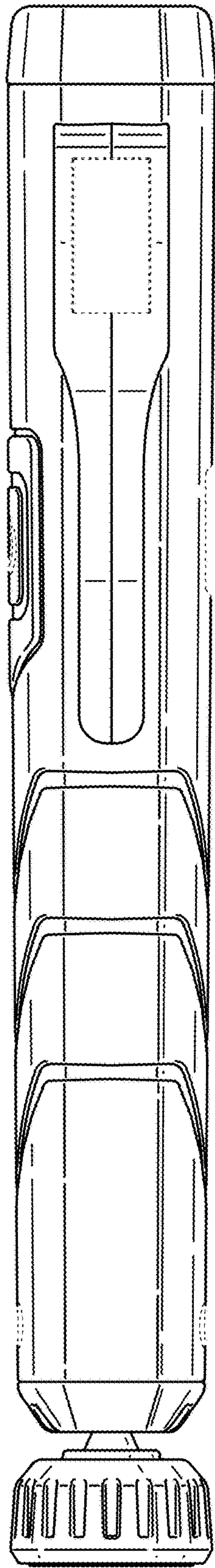


FIG. 3

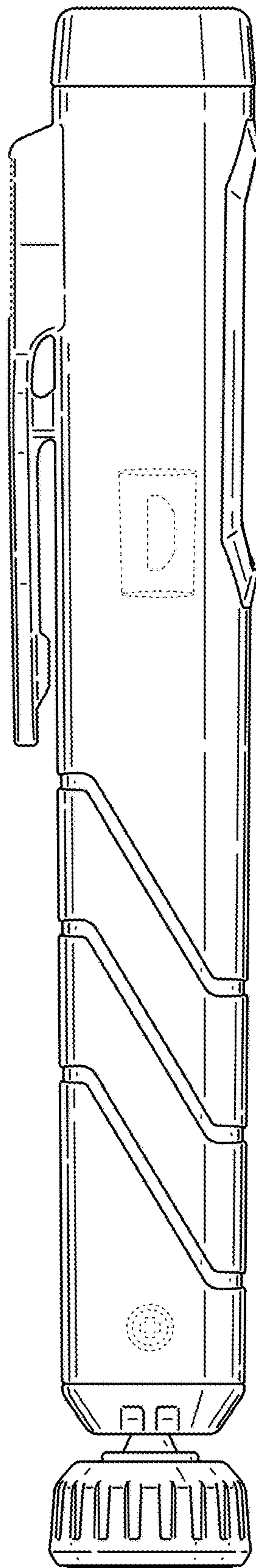


FIG. 4

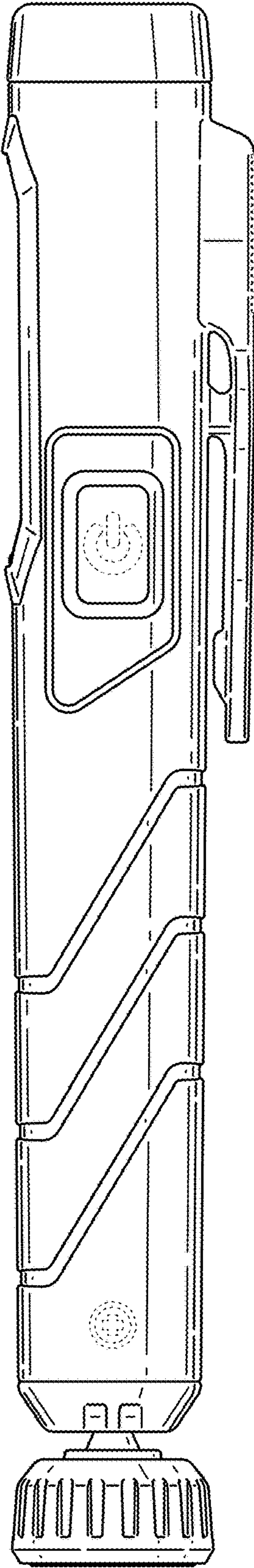


FIG. 5

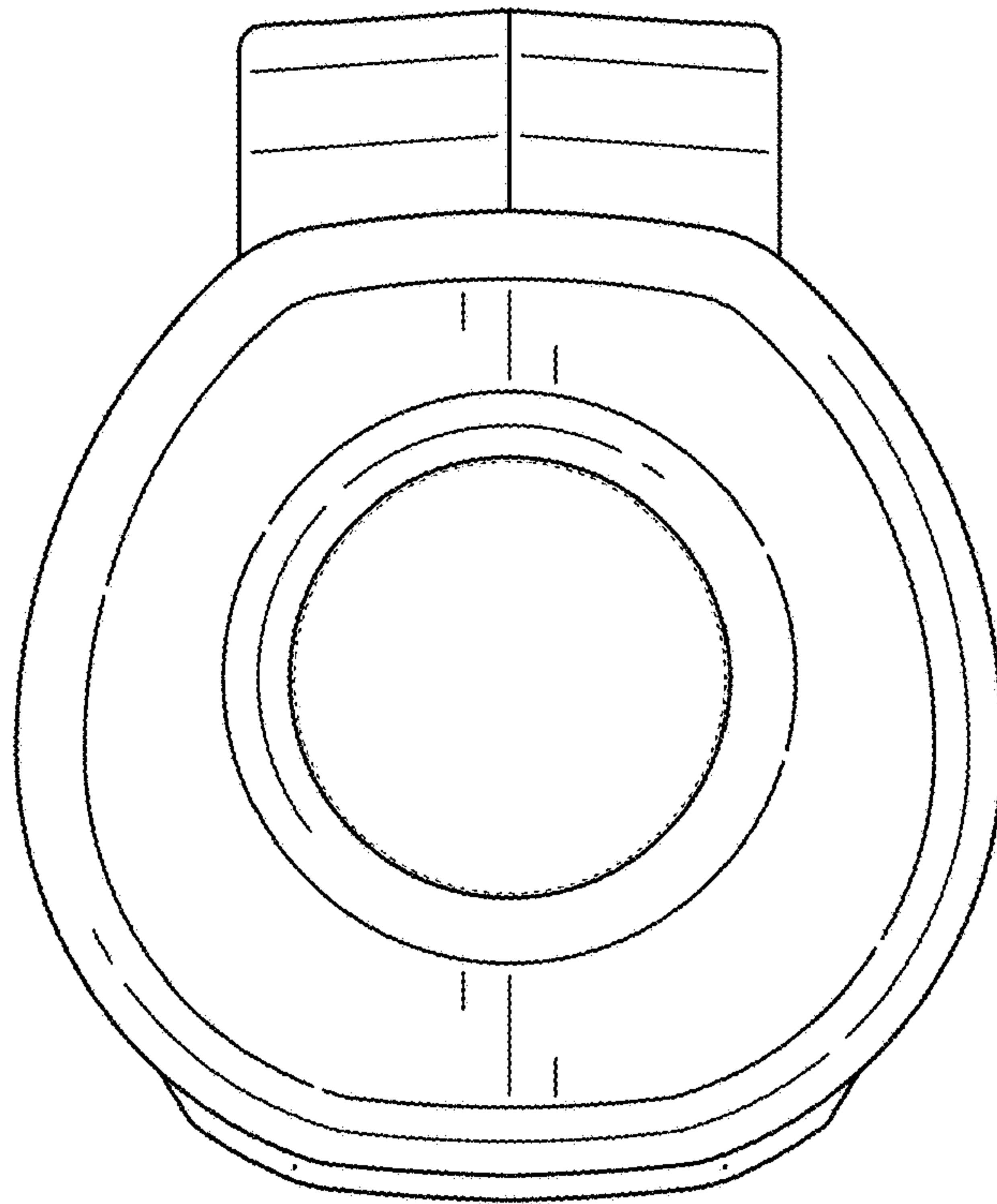


FIG. 6

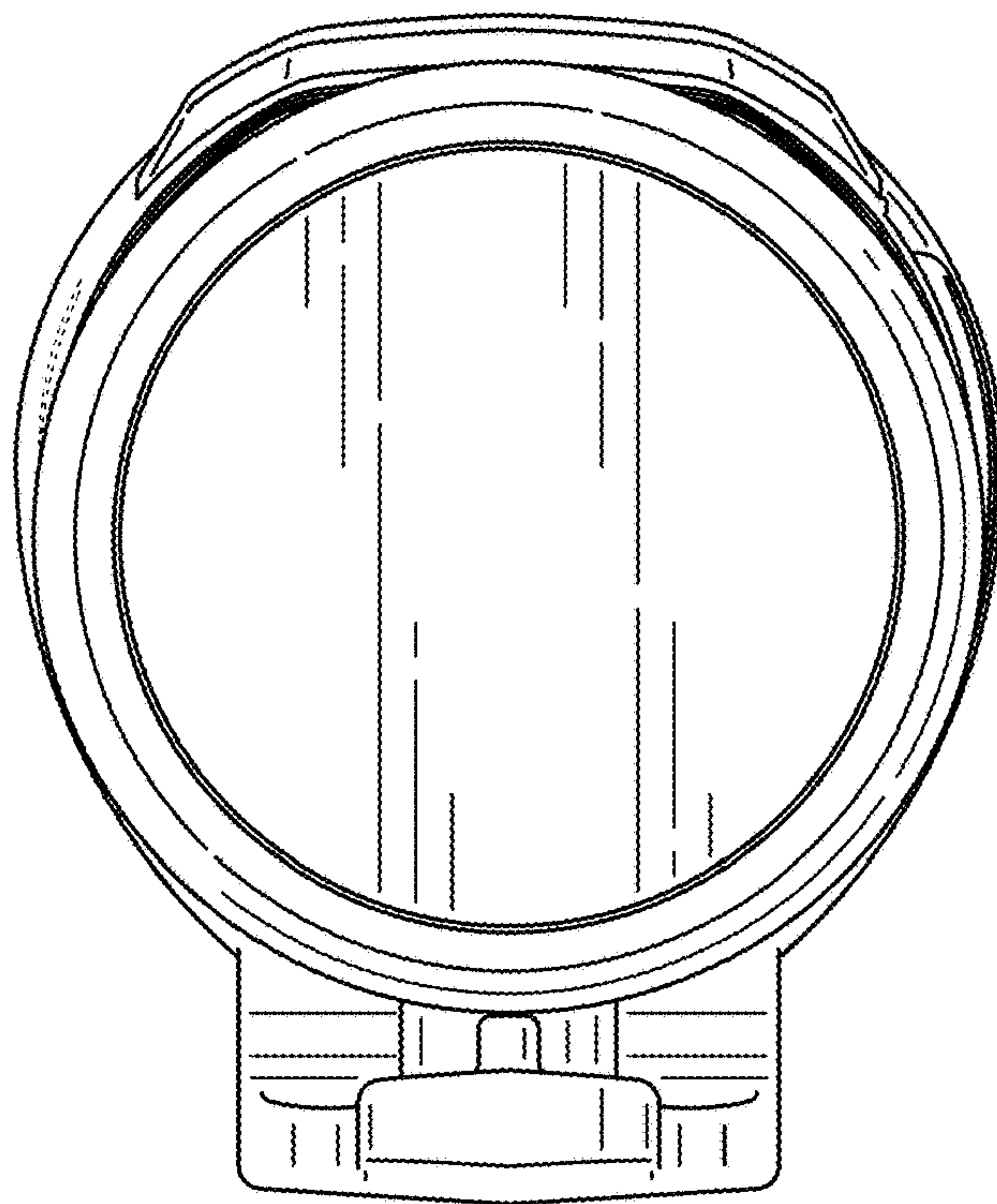


FIG. 7

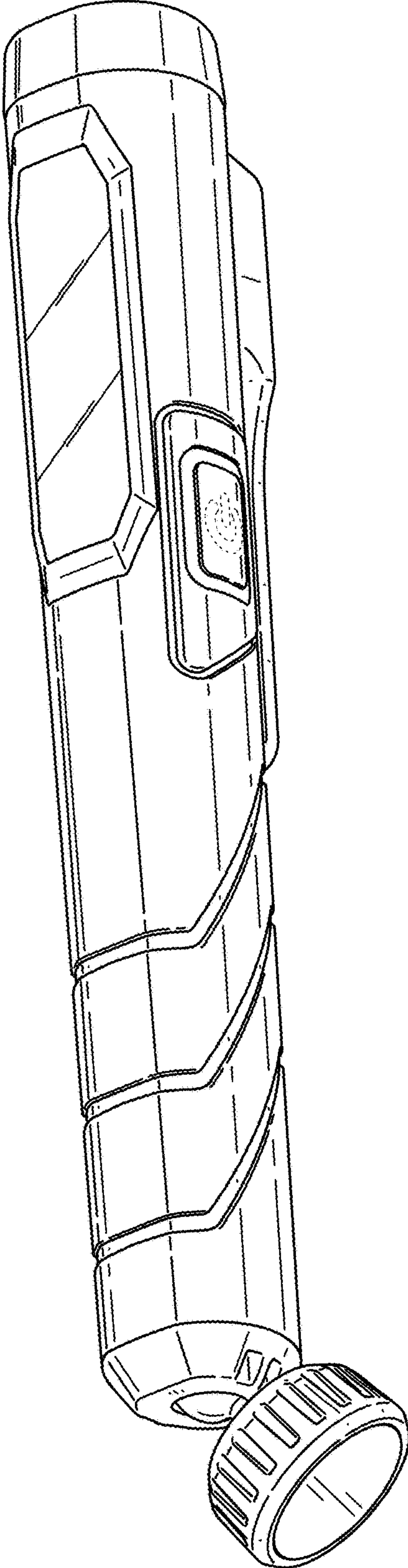


FIG. 8