



US00D930204S

(12) **United States Design Patent** (10) **Patent No.:** **US D930,204 S**
Sharrah et al. (45) **Date of Patent:** **** Sep. 7, 2021**

(54) **LIGHTING DEVICE**
 (71) Applicant: **Streamlight, Inc.**, Eagleville, PA (US)
 (72) Inventors: **Raymond L. Sharrah**, Collegeville, PA (US); **Gregory A. Roshak**, Norristown, PA (US); **Cleatis Eichelberger**, East Norriton, PA (US)

7,481,551 B2 1/2009 Sharrah
 D599,923 S 9/2009 Shiu
 D608,920 S 1/2010 Loibl
 D611,630 S 3/2010 Chan
 D616,578 S * 5/2010 Leung D26/41
 D617,481 S * 6/2010 Leung D26/41
 D650,104 S 12/2011 Brands et al.
 D658,324 S 4/2012 Reimann et al.
 D689,224 S * 9/2013 Fradkina D26/40
 (Continued)

(73) Assignee: **Streamlight, Inc.**, Eagleville, PA (US)

(**) Term: **15 Years**

(21) Appl. No.: **29/663,237**

(22) Filed: **Sep. 13, 2018**

(51) **LOC (13) Cl.** **26-02**

(52) **U.S. Cl.**
 USPC **D26/40**

(58) **Field of Classification Search**
 USPC D26/37-51
 CPC . F21L 4/005; F21L 4/025; F21L 4/027; F21L 4/04; F21L 4/08; F21L 13/00; F21L 13/08; F21L 14/02; F21L 19/00; F21L 2/00; F21L 4/00-4/085; F21L 15/00-15/14; F21L 2001/00; F21L 2003/00; F21L 2005/00; F21L 25/00
 See application file for complete search history.

(56) **References Cited**

U.S. PATENT DOCUMENTS

D424,227 S 5/2000 Long
 D429,354 S * 8/2000 Petterson D26/40
 D483,892 S 12/2003 Poon
 D509,920 S * 9/2005 Fritz D26/40
 D535,419 S * 1/2007 Shiu D26/40
 D537,968 S 3/2007 Shiu
 D542,953 S 5/2007 Lee
 D547,891 S 7/2007 Shiu
 D555,266 S * 11/2007 Claassen D26/40
 D559,418 S 1/2008 Poon
 D575,429 S 8/2008 Shiu
 D576,756 S * 9/2008 DeBrunner D26/40

OTHER PUBLICATIONS

Coleman—CPX6 High Tech LED Lantern, [online], [Retrieved on Aug. 30, 2018], Retrieved from the internet: <https://www.amazon.com/Coleman-CPX6-High-Tech-LED-Lantern/dp/B00339B0RW/ref=sr_1_1?ie=UTF8&qid=1535655914&sr=8-1&keywords=coleman+cpx+6+high+tech+led+lantern>.

(Continued)

Primary Examiner — Leanne Was-Englehart
 (74) *Attorney, Agent, or Firm* — Quarles & Brady LLP; James J. Aquilina

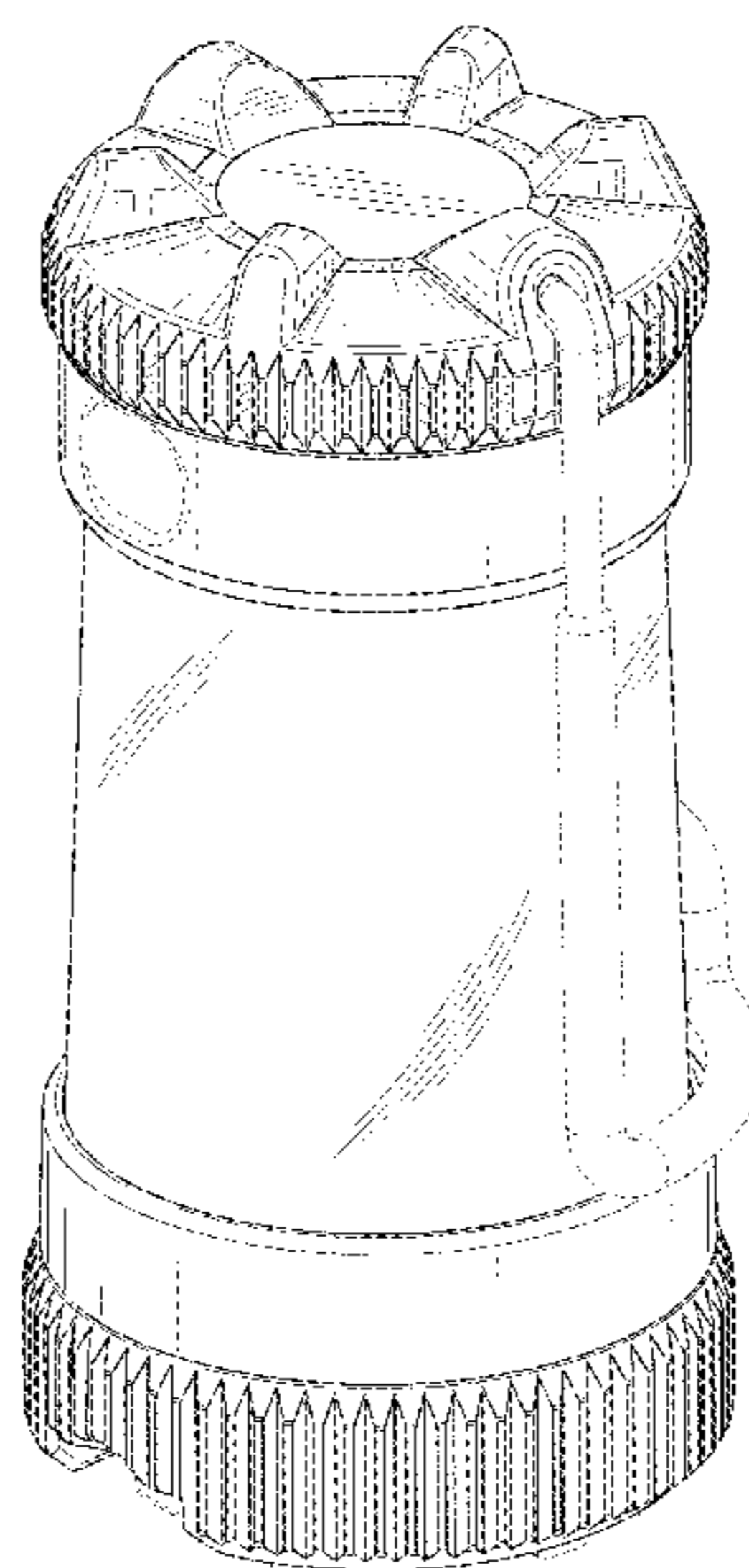
(57) **CLAIM**

The ornamental design for a lighting device, as shown and described.

DESCRIPTION

FIG. 1 is a front perspective view of a lighting device showing our new design;
 FIG. 2 is a front view thereof;
 FIG. 3 is a rear view thereof;
 FIG. 4 is a left side view thereof;
 FIG. 5 is right side view thereof;
 FIG. 6 is a top view thereof;
 FIG. 7 is a bottom view thereof; and,
 FIG. 8 is a rear perspective view thereof, with portions of the lighting device in an alternate configuration.
 The broken lines in the Figures show portions of the lighting device which form no part of the claimed design.

1 Claim, 7 Drawing Sheets



(56)

References Cited

U.S. PATENT DOCUMENTS

D725,300	S	3/2015	Dalton	
9,217,547	B2	12/2015	Sharrah	
D747,523	S *	1/2016	Salmon	D26/40
D754,379	S *	4/2016	Green	D26/40
D790,098	S *	6/2017	Esarey	D26/40
D794,235	S *	8/2017	Green	D26/40
D809,688	S *	2/2018	Christensen	D26/41
D809,690	S *	2/2018	Marshall	D26/41
D823,506	S *	7/2018	Shiu	D26/40
D829,312	S *	9/2018	Riering-Czekalla	D23/364
D844,201	S *	3/2019	Khubani	D26/40
D844,872	S *	4/2019	Krantz	D26/40
D845,527	S *	4/2019	Hsu	D26/41
D846,168	S *	4/2019	Badici	D26/40
D849,295	S *	5/2019	Sun	D26/40
D863,634	S *	10/2019	Xu	D26/41
D868,739	S *	12/2019	Ryu	D14/216
D894,454	S *	8/2020	Yang	D26/41
2014/0177210	A1	6/2014	Sharrah	
2016/0076714	A1	3/2016	Sharrah	

OTHER PUBLICATIONS

LED Lantern—Ultra Bright 300lm, Home, Garden and Camping Lanterns, [online], [Retrieved on Aug. 31, 2018], Retrieved from the internet: <<https://web.archive.org/web/20130120075055/http://www.lightingever.com/led-lantern-light-300lm.html>>.

Rayovac—Sportsman 240 Lumen LED Lantern, SE3DLNACOM, [online], [Retrieved on Aug. 31, 2018], Retrieved from the internet:

<<https://www.amazon.com/Rayovac-Sportsman-Lumen-Lantern-SE3DLNACOM/dp/B0018S4XIS>>.

1000lm Dimmable Portable LED Lantern, [online], [Retrieved on Aug. 31, 2018], Retrieved from the internet: <<https://www.lightingever.com/led-lantern-light-3300002.html>>.

Ultimate Survival Technologies—30 Day Duro Lantern, [online], [Retrieved on Aug. 31, 2018], Retrieved from the internet: <<https://www.batteryjunction.com/ust-30-day-lantern.html>>.

Ultimate Survival Technologies—60 Day Duro Lantern, [online], [Retrieved on Aug. 31, 2018], Retrieved from the internet: <<https://www.batteryjunction.com/ust-20-pln0c6d002.html>>.

Streamlight—The Seige Lantern, [online], [Retrieved on Aug. 27, 2018], Retrieved from the internet: <<https://www.streamlight.com/products/detail/index/the-siege>>.

Streamlight—Siege AA Lantern, [online], [Retrieved on Aug. 27, 2018], Retrieved from the internet: <<https://www.streamlight.com/products/detail/index/siege-aa>>.

Streamlight—Super Siege Lantern, [online], [Retrieved on Aug. 27, 2018], Retrieved from the internet: <<https://www.streamlight.com/products/detail/index/super-siege>>.

Fenix—CL25R Rechargeable Lantern, [online], [Retrieved on Aug. 27, 2018], Retrieved from the internet: <<https://www.fenixlighting.com/product/cl25r-camping-lantern/>>.

Nitecore—LR30 Lantern, [online], [Retrieved on Aug. 27, 2018], Retrieved from the internet: <<https://flashlight.nitecore.com/product/lr30>>.

Eureka—Magic 125 Lantern/Flashlight, [online], [Retrieved on Aug. 31, 2018], Retrieved from the internet: <https://www.amazon.com/Eureka-Magic-125-Lantern-Flashlight/dp/B002NM39VA/ref=sr_1_1?s=sporting-goods&ie=UTF8&qid=1535662583&sr=1-1&keywords=eureka+magic+125+lantern>.

* cited by examiner

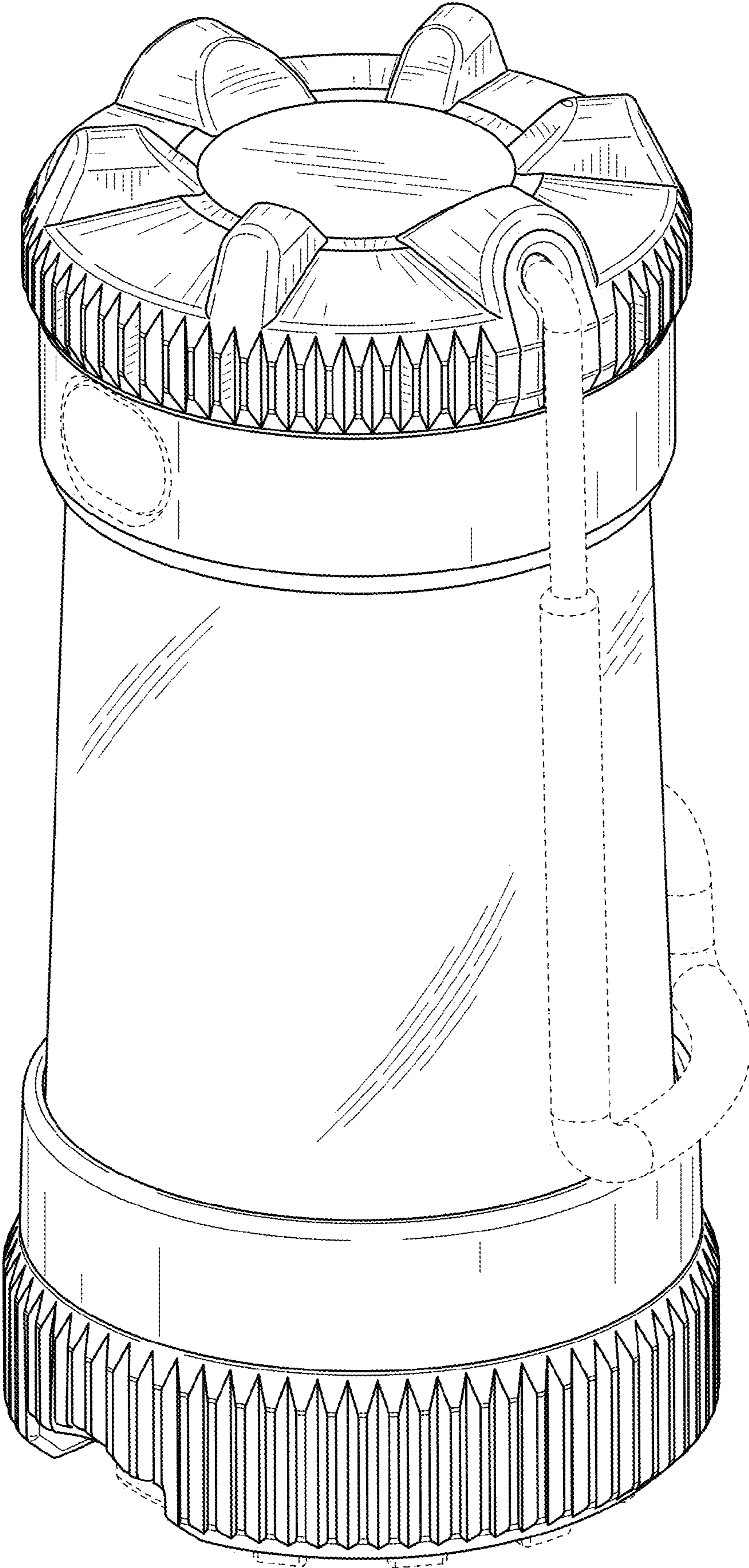


FIG. 1

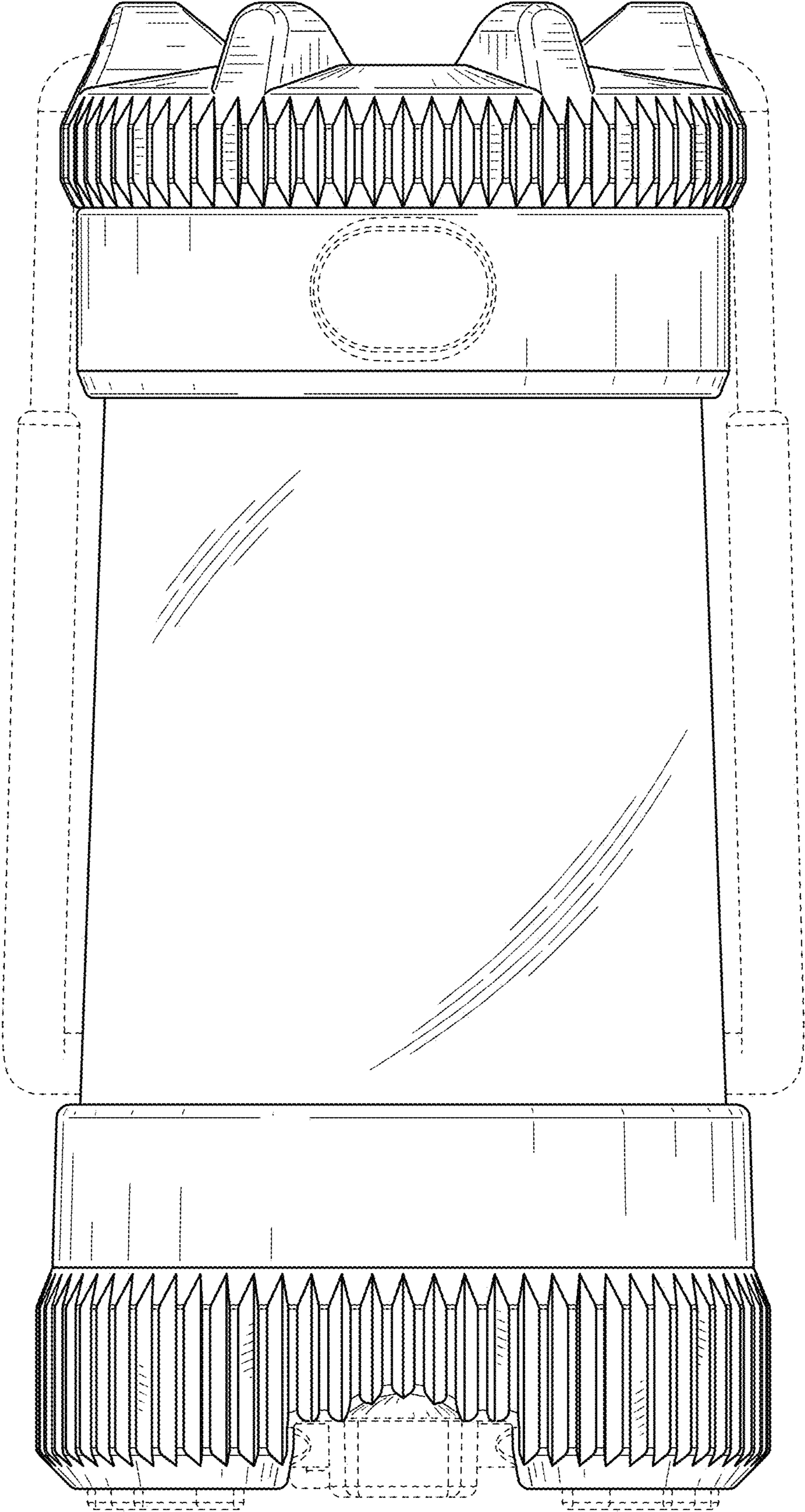


FIG. 2

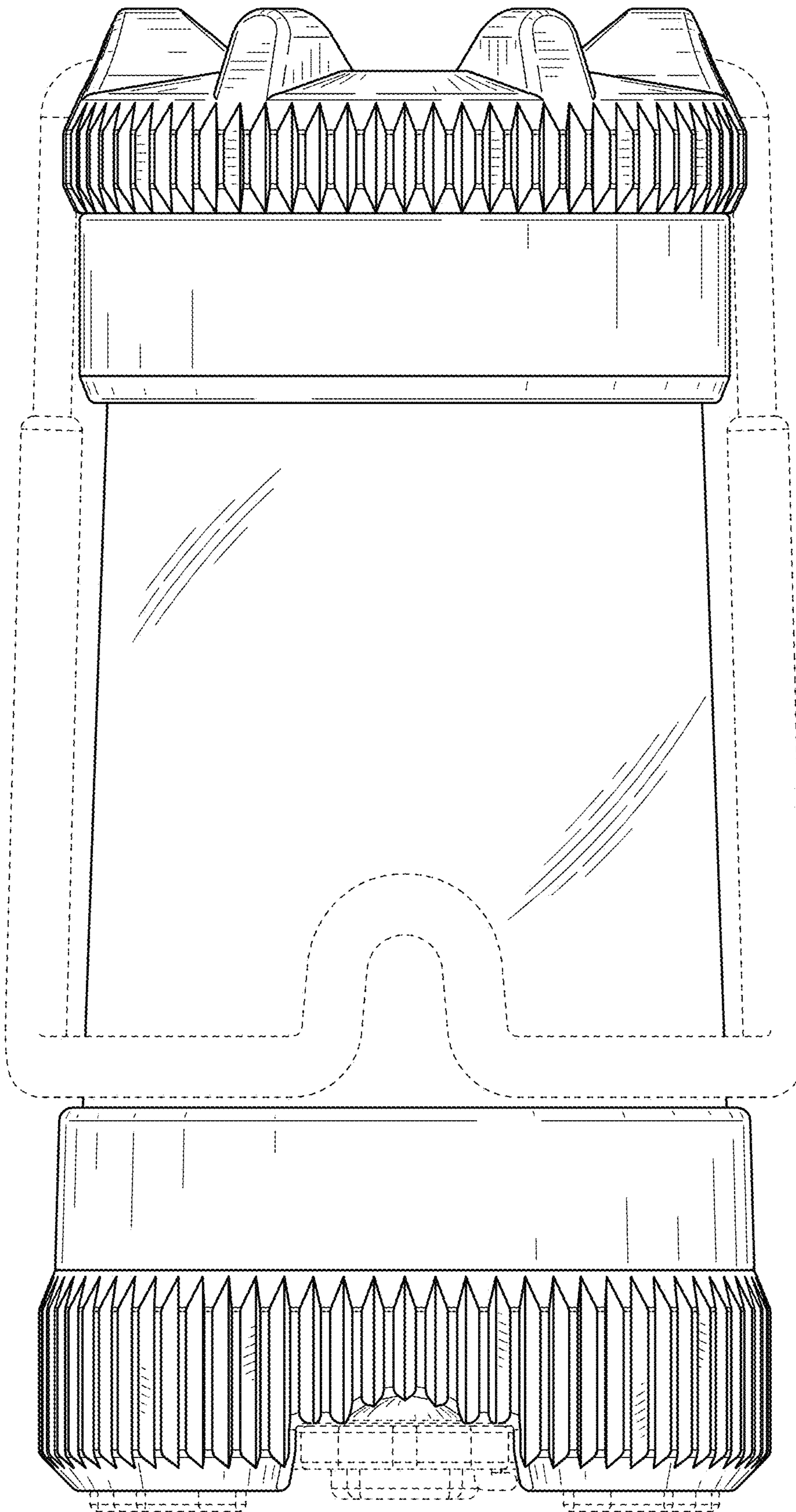


FIG. 3

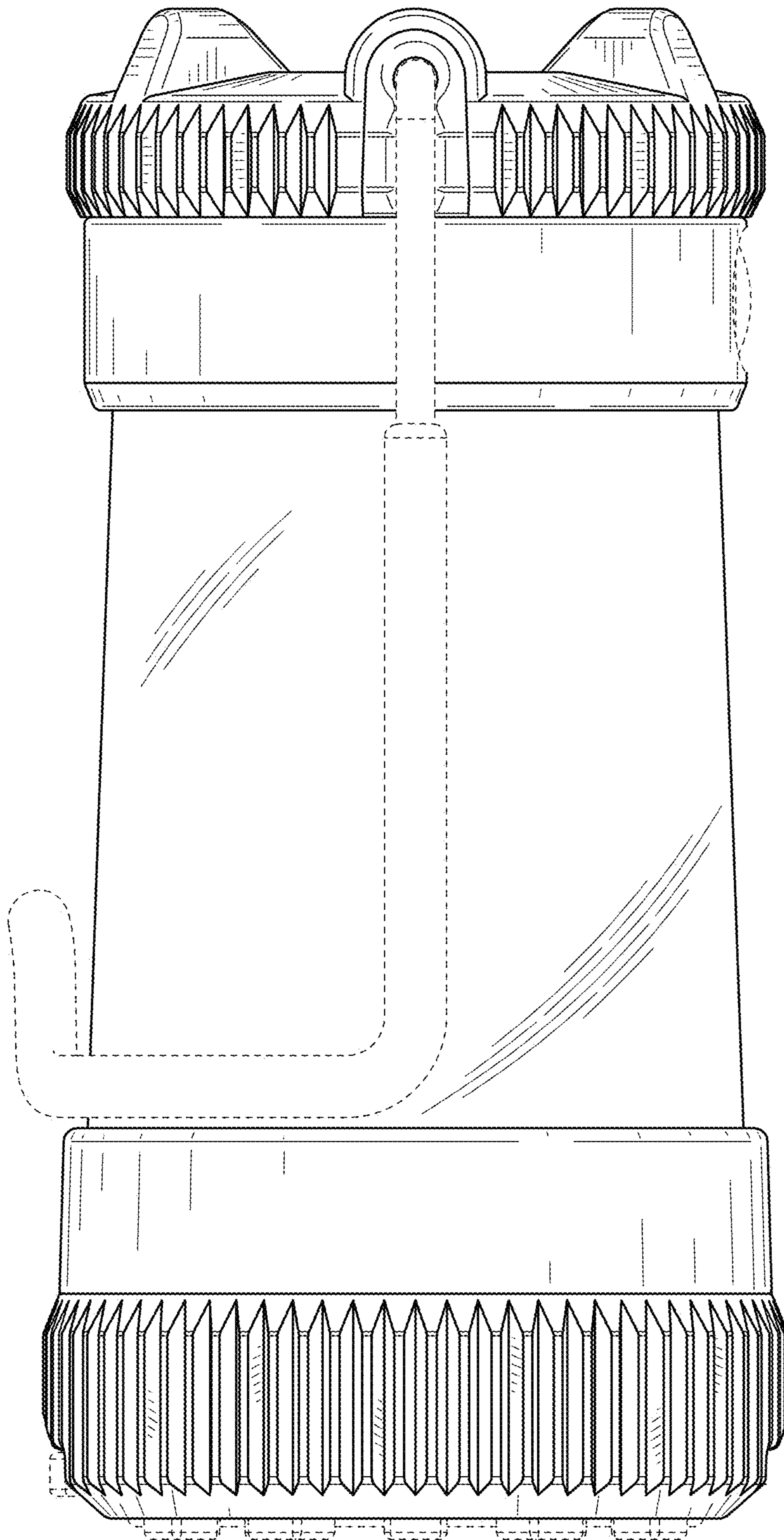


FIG. 4

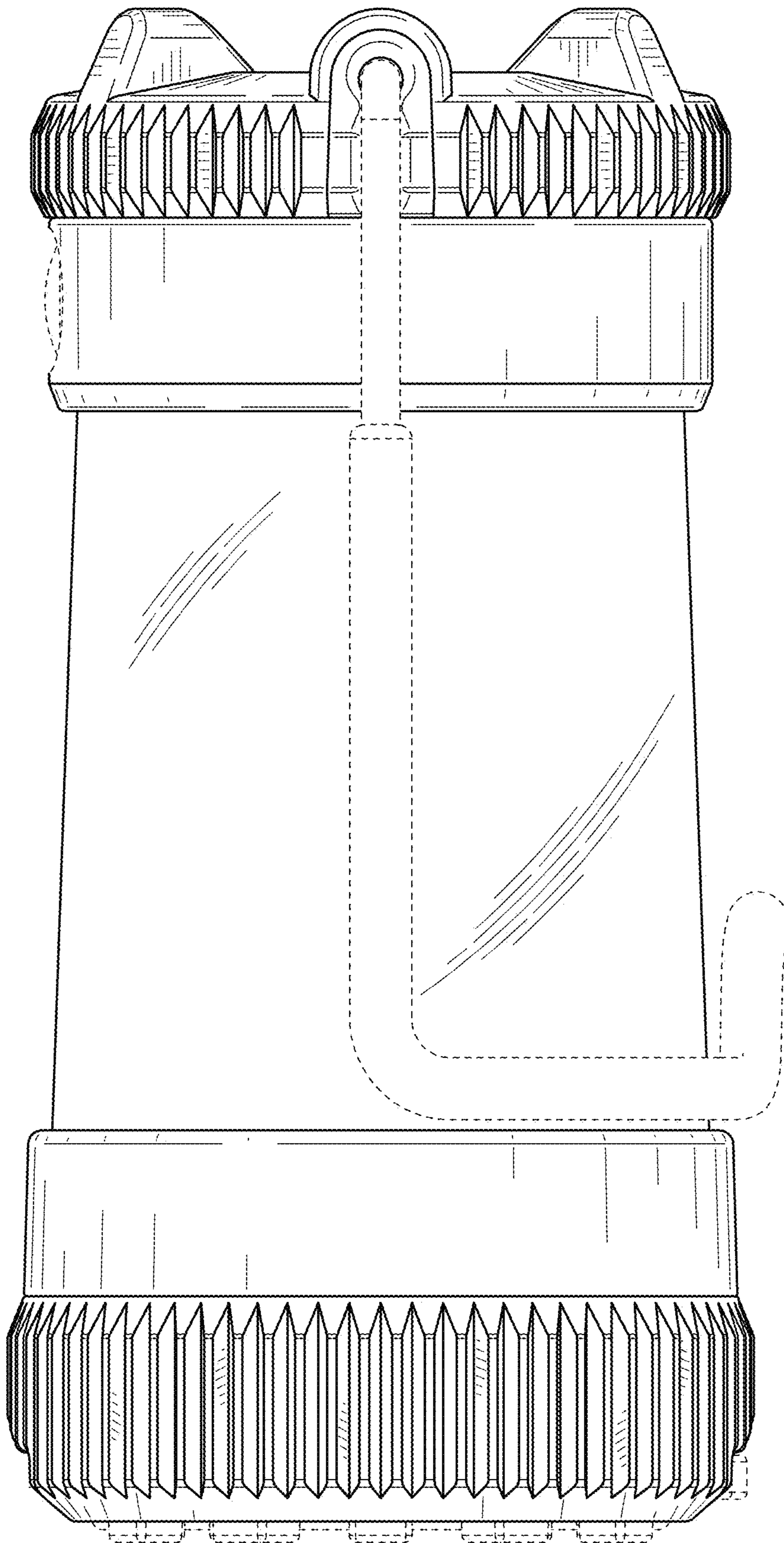


FIG. 5

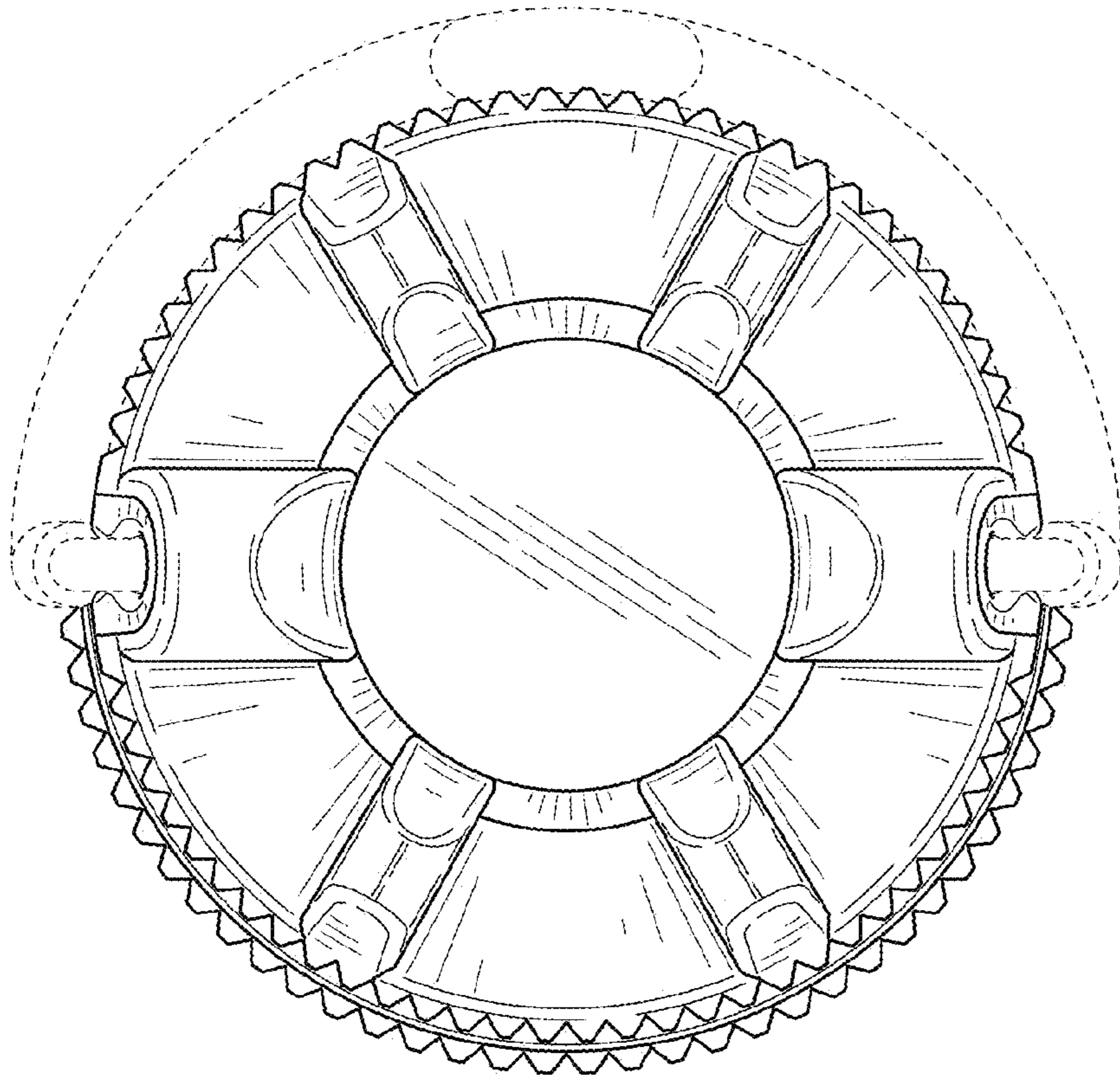


FIG. 6

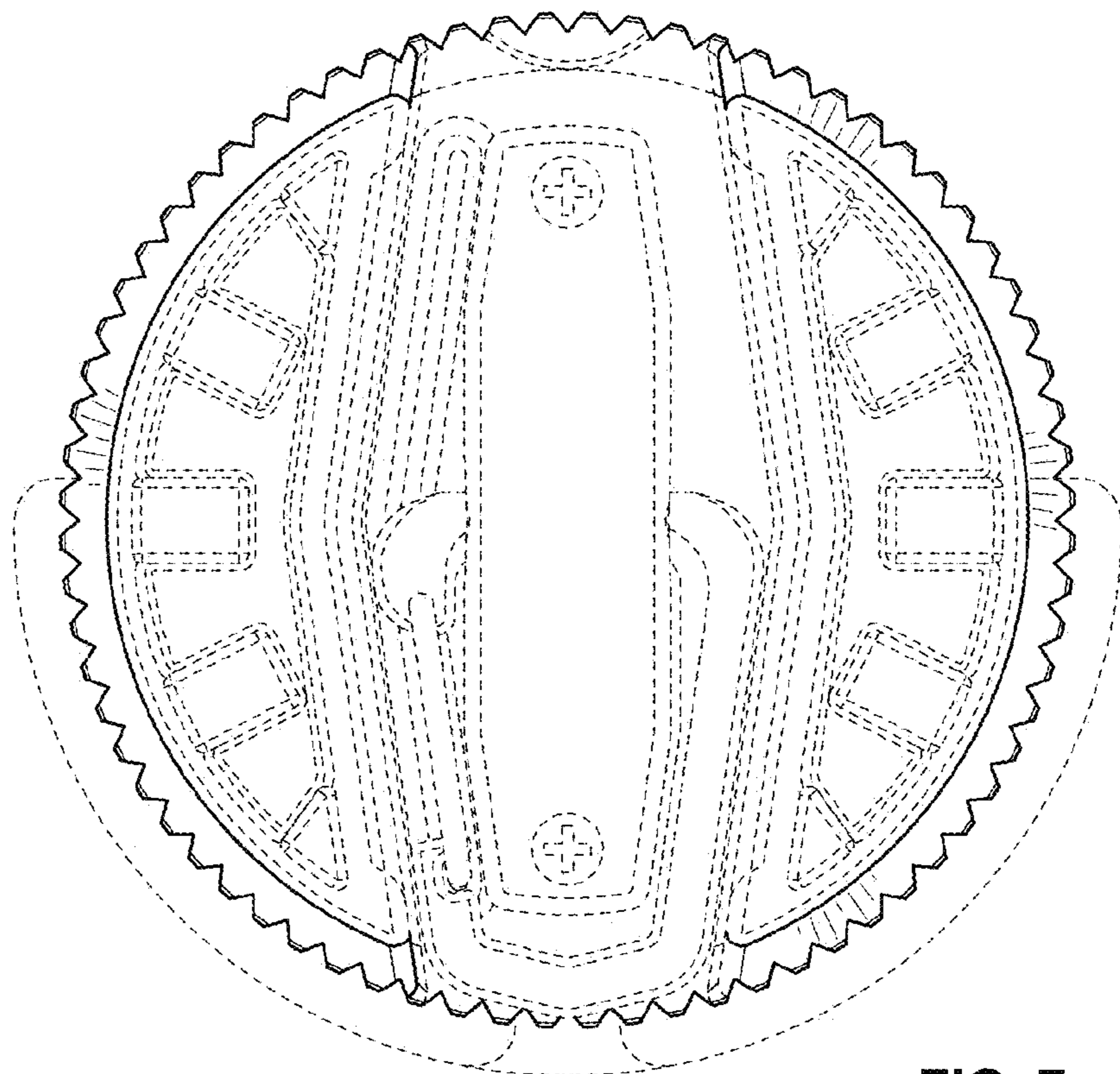


FIG. 7

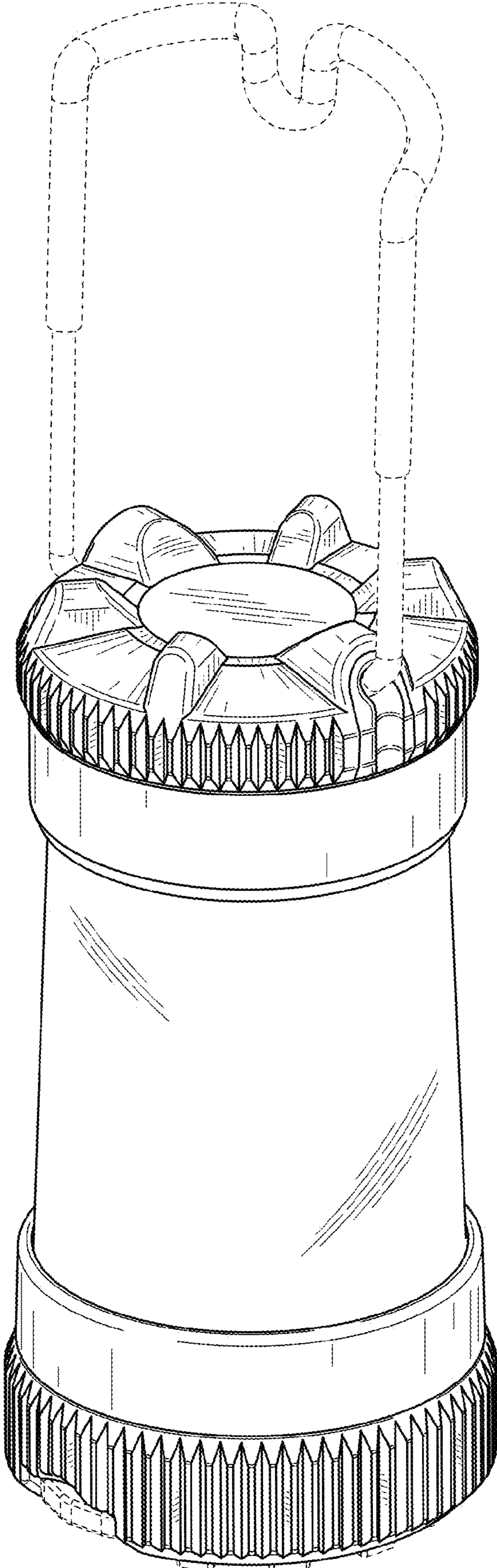


FIG. 8