



US00D930203S

(12) **United States Design Patent** (10) **Patent No.:** **US D930,203 S**
Eichelberger (45) **Date of Patent:** **** Sep. 7, 2021**

- (54) **LIGHTING DEVICE**
- (71) Applicant: **Streamlight, Inc.**, Eagleville, PA (US)
- (72) Inventor: **Cleatis Eichelberger**, East Norriton, PA (US)
- (73) Assignee: **Streamlight, Inc.**, Eagleville, PA (US)
- (**) Term: **15 Years**
- (21) Appl. No.: **29/689,480**
- (22) Filed: **Apr. 30, 2019**

D597,690 S *	8/2009	Yamamoto	D26/37
D620,163 S *	7/2010	Kang	D26/49
D707,869 S *	6/2014	Wu	D26/46
D744,136 S *	11/2015	Osiecki	D26/49
D765,295 S *	8/2016	McLennan	F21V 21/0885 D26/49
D790,097 S *	6/2017	Port	D26/39
D818,165 S *	5/2018	Lu	D26/42
D837,428 S *	1/2019	Arena	D26/44
D849,979 S *	5/2019	Lehovetzki	D26/49

Related U.S. Application Data

- (63) Continuation of application No. 29/618,877, filed on Sep. 25, 2017, now Pat. No. Des. 864,449.
- (51) **LOC (13) Cl.** **26-02**
- (52) **U.S. Cl.**
USPC **D26/39**
- (58) **Field of Classification Search**
USPC D26/37-51, 24, 60, 61, 63, 64, 66
CPC F21L 2003/00; F21L 4/00; F21L 4/005;
F21L 4/02; F21L 4/025; F21L 4/027;
F21L 4/04; F21L 4/08; F21L 2005/00;
F21L 7/00; F21L 11/00; F21L 13/00;
F21L 13/04; F21L 13/08; F21L 14/02;
F21L 17/00; F21L 19/00; F21L 25/00
See application file for complete search history.

References Cited

U.S. PATENT DOCUMENTS

D479,350 S *	9/2003	Herman	D26/38
D481,482 S *	10/2003	Mah	D26/37
D566,312 S *	4/2008	Lui	D26/37
D591,881 S *	5/2009	Crawford	D26/37
D592,339 S *	5/2009	Crawford	D26/37

FOREIGN PATENT DOCUMENTS

EM	002222851-0001	*	4/2013
EM	004541076-0009	*	2/2018

* cited by examiner

Primary Examiner — Leanne Was-Englehart

(74) *Attorney, Agent, or Firm* — Quarles & Brady LLP;
James J. Aquilina

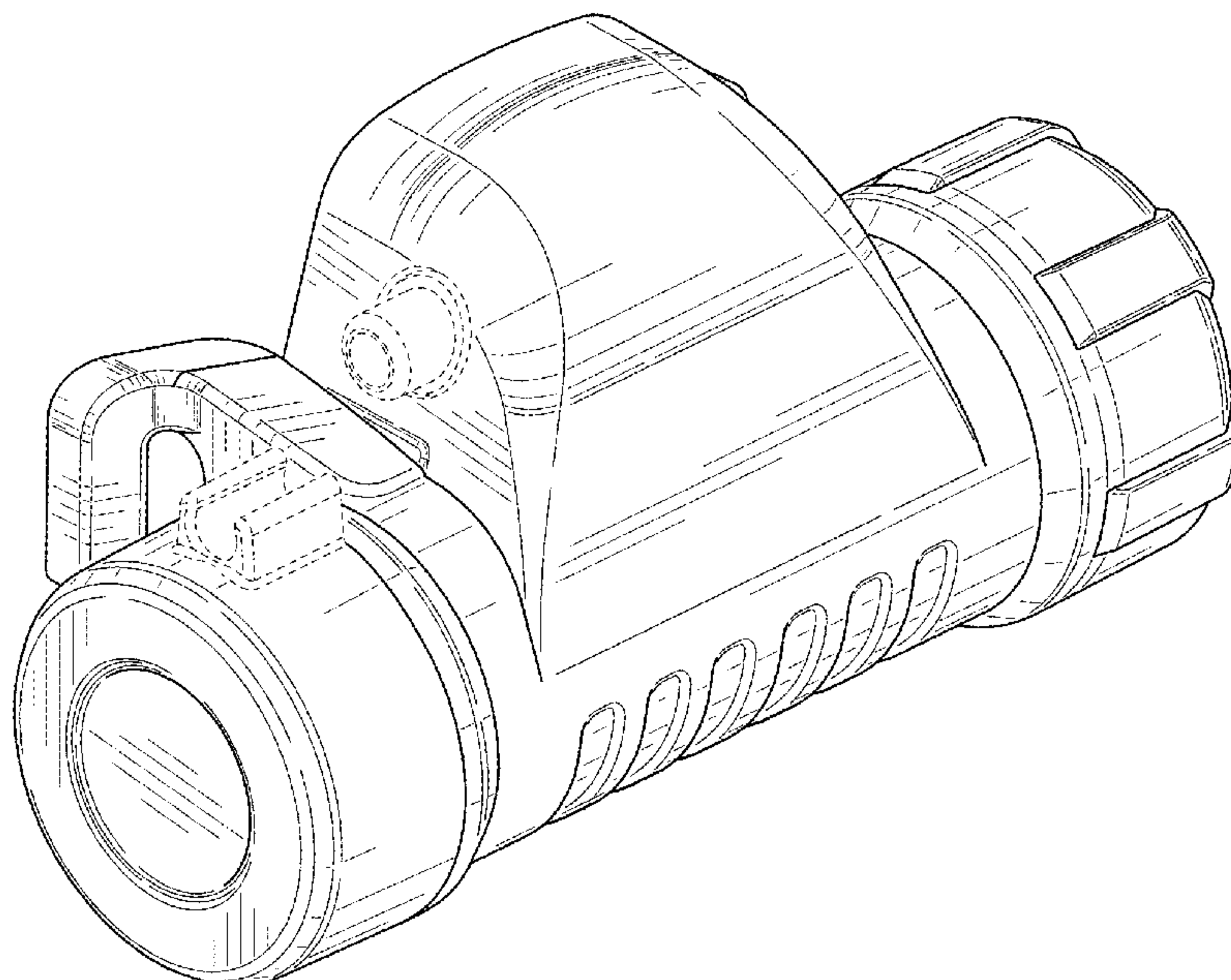
(57) **CLAIM**

The ornamental design for a lighting device, as shown and described.

DESCRIPTION

FIG. 1 is a front perspective view of a lighting device showing my new design;
 FIG. 2 is a front elevation view thereof;
 FIG. 3 is a left side elevation view thereof;
 FIG. 4 is a right side elevation view thereof;
 FIG. 5 is a top plan view thereof; and,
 FIG. 6 is a bottom plan view thereof.
 The dashed broken lines in the Figures show unclaimed portions of the lighting device. The line shading in FIGS. 1-6 show surface contours, not surface ornamentation. The rear view is omitted and forms no part of the claimed design.

1 Claim, 4 Drawing Sheets



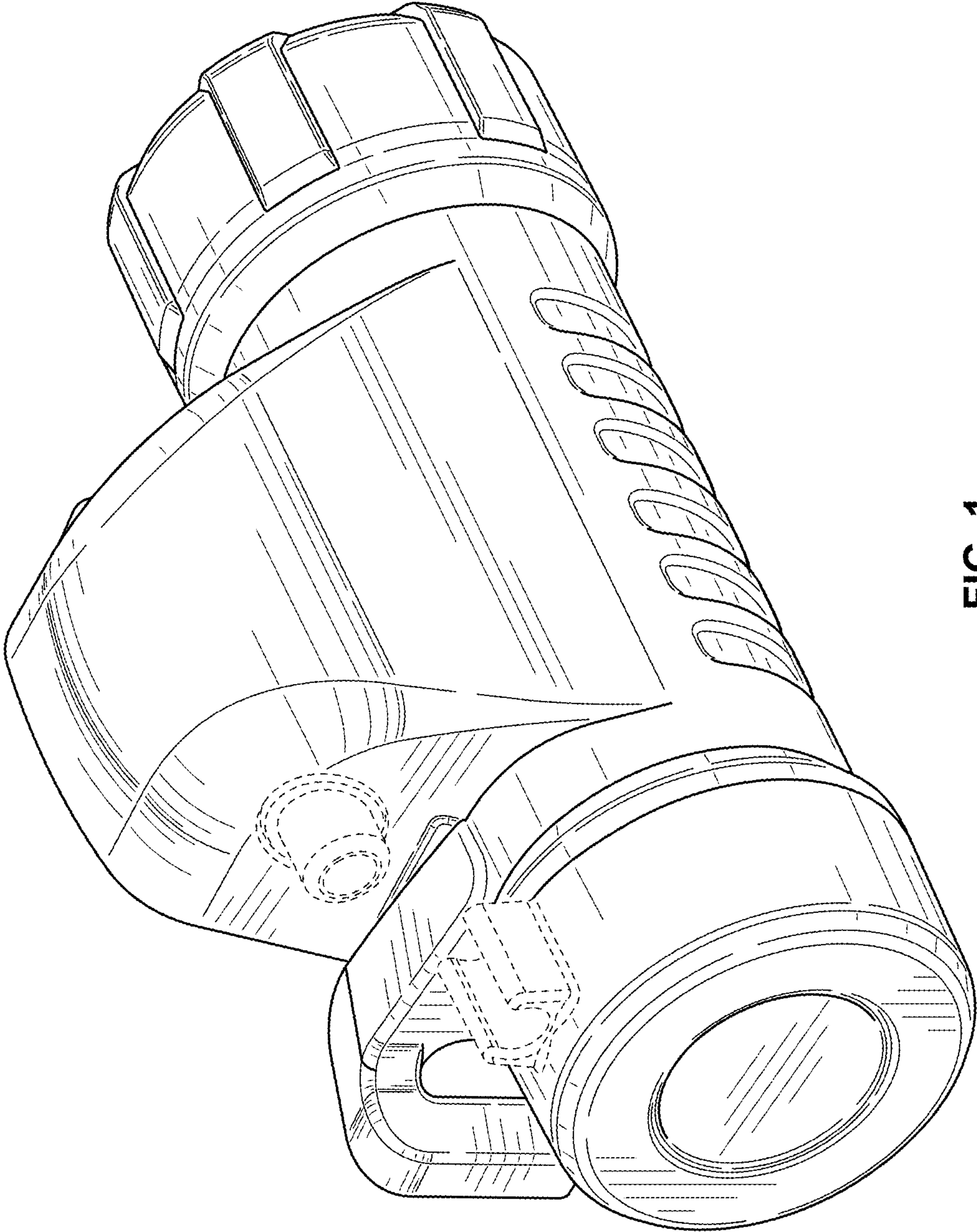


FIG. 1

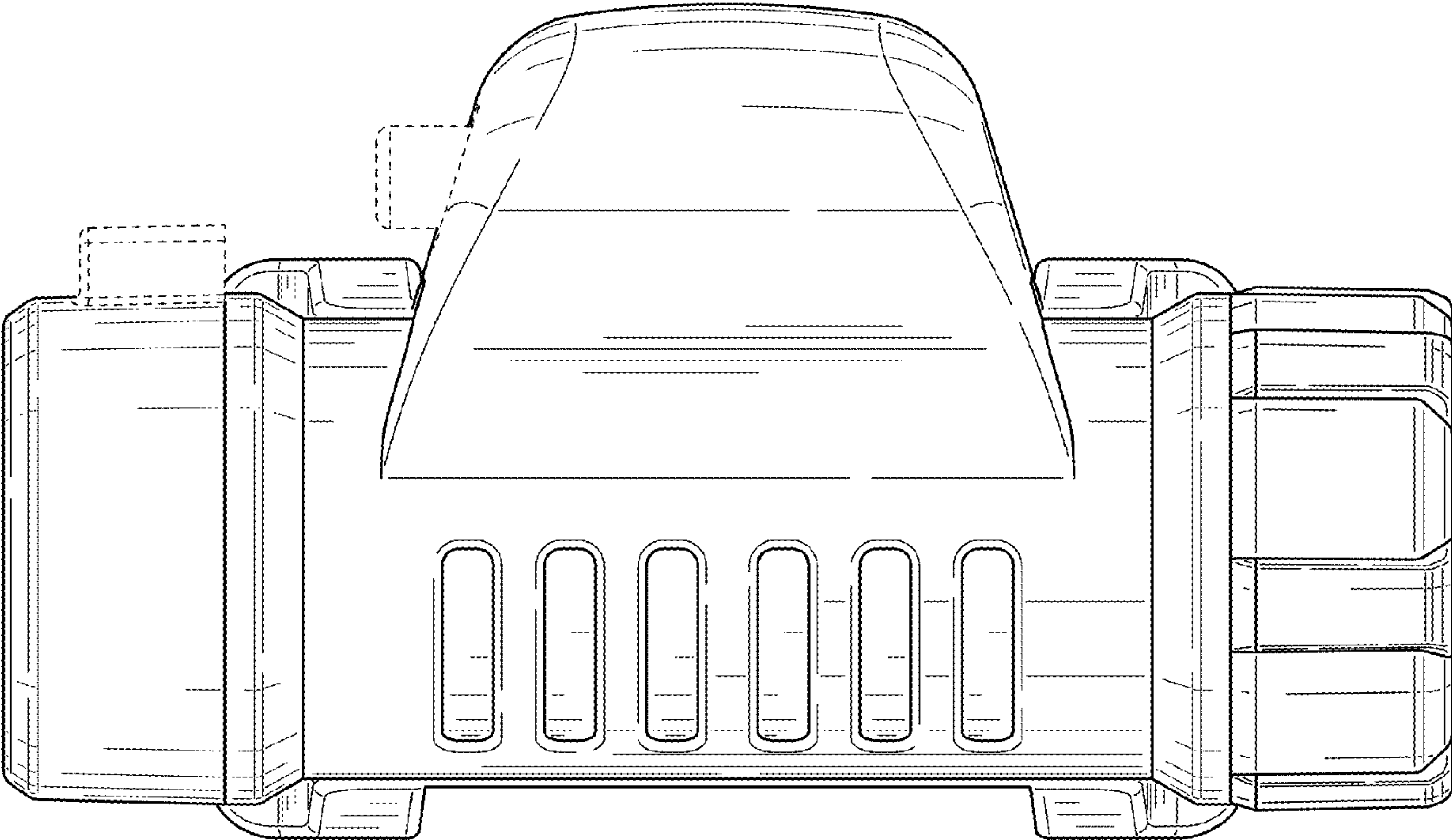


FIG. 2

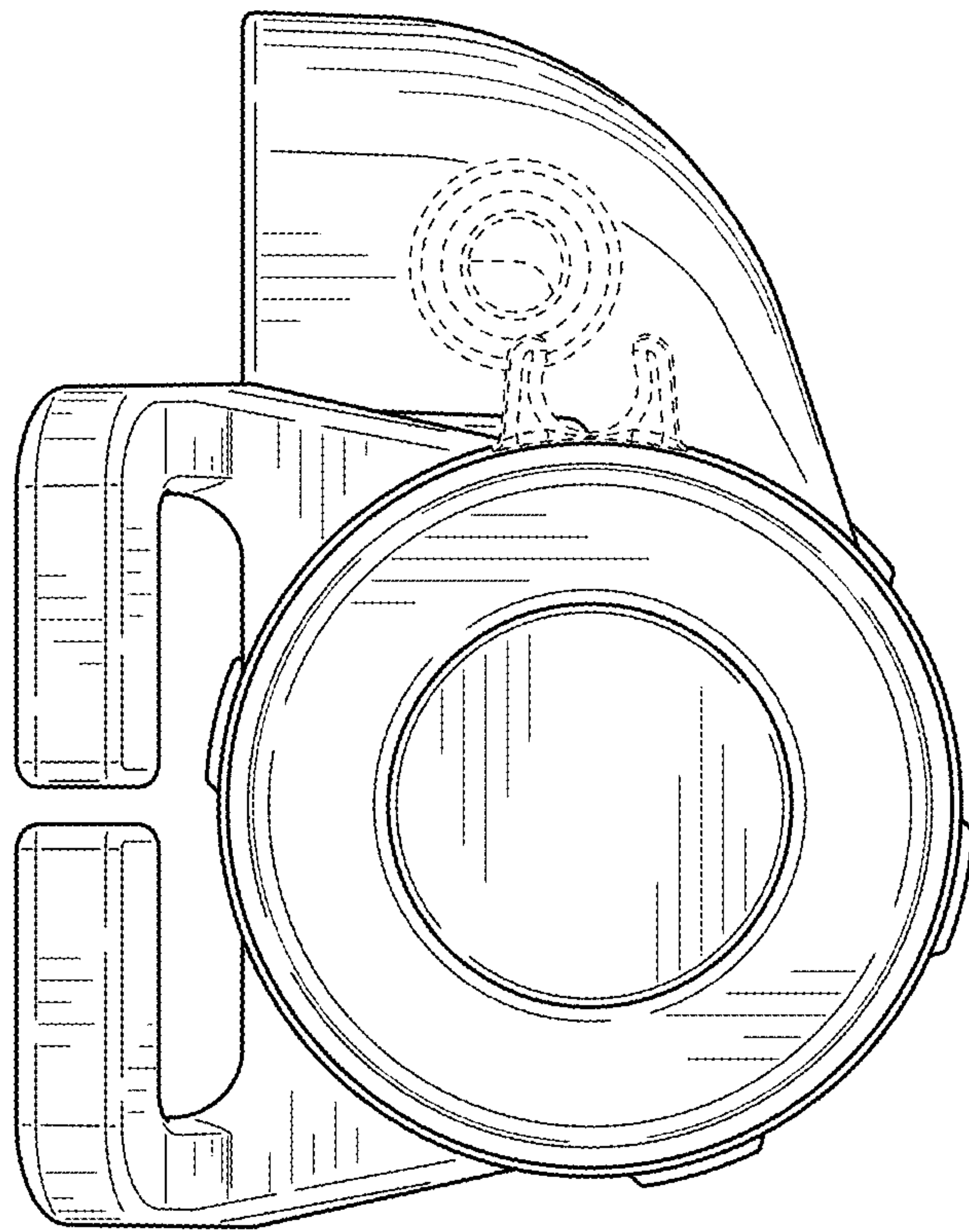


FIG. 3

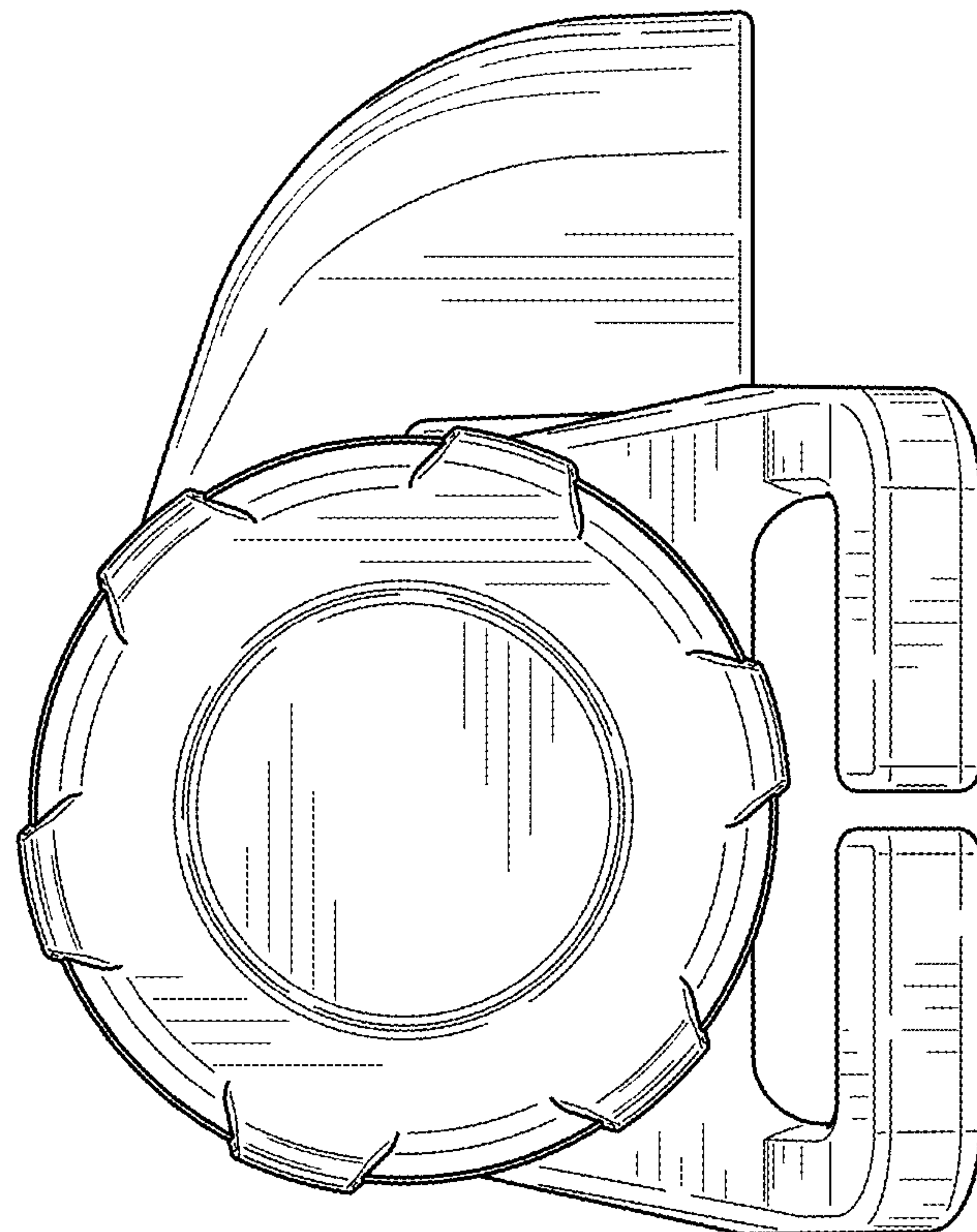


FIG. 4

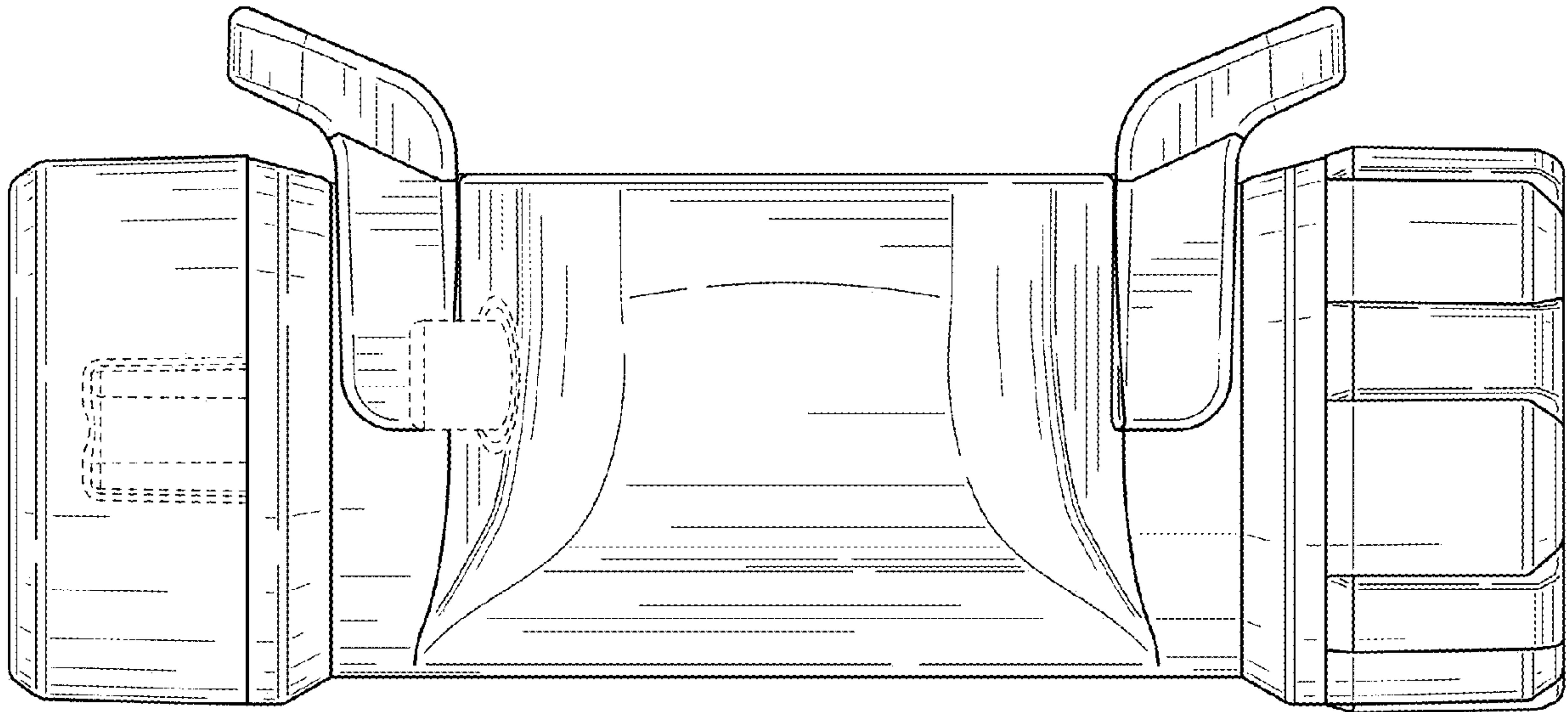


FIG. 5

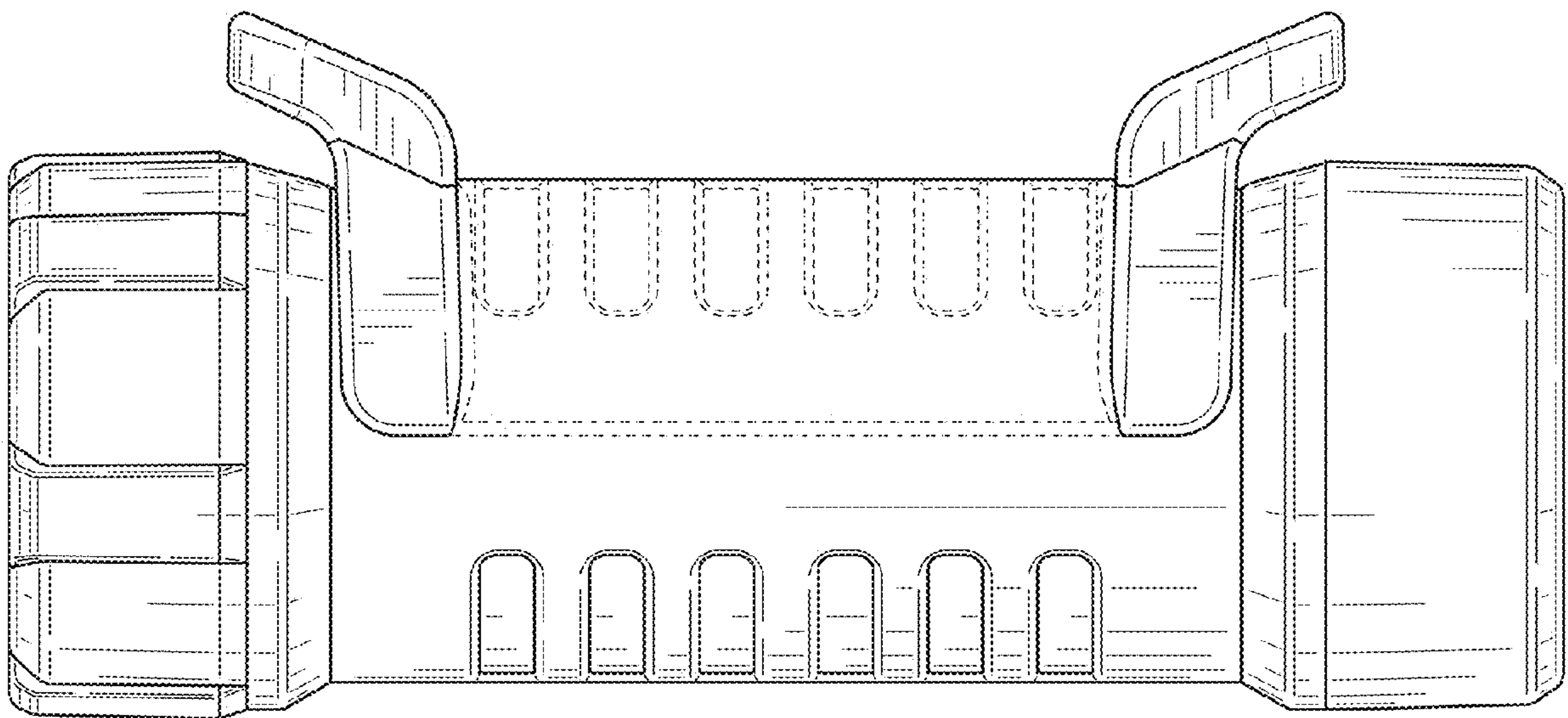


FIG. 6