



US00D930200S

(12) **United States Design Patent** (10) **Patent No.:** **US D930,200 S**
Kellermann (45) **Date of Patent:** **** Sep. 7, 2021**

(54) **LIGHT FOR VEHICLES**
(71) Applicant: **Kellermann GmbH**, Aachen (DE)
(72) Inventor: **Guido Kellermann**, Weilerswist (DE)
(73) Assignee: **KELLERMANN GMBH**, Aachen (DE)
(**) Term: **15 Years**

(21) Appl. No.: **35/509,098**
(22) Filed: **Jan. 3, 2020**

(80) **Hague Agreement Data**
Int. Filing Date: **Jan. 3, 2020**
Int. Reg. No.: **DM/207064**
Int. Reg. Date: **Jan. 3, 2020**
Int. Reg. Pub. Date: **Apr. 17, 2020**

(30) **Foreign Application Priority Data**
Jul. 4, 2019 (DE) 40 2019 100 717.2
(51) **LOC (13) Cl.** **26-06**
(52) **U.S. Cl.**
USPC **D26/28; D26/136**
(58) **Field of Classification Search**
USPC D26/24, 28, 29, 34-39, 41, 46, 48, 49, D26/113, 118, 136
CPC .. F21S 41/00; F21S 41/20; F21S 41/30; F21S 43/14; F21S 43/20; B60Q 1/2619; B62J 6/022; B62J 6/029
See application file for complete search history.

(56) **References Cited**
U.S. PATENT DOCUMENTS
4,761,721 A * 8/1988 Willing F21V 7/09 362/348
D437,652 S * 2/2001 Uhler D26/63
D465,588 S * 11/2002 Nagano D26/28
D581,555 S * 11/2008 To D26/2
D586,498 S * 2/2009 Wu D26/118

D588,290 S * 3/2009 Coushaine D26/28
D615,239 S * 5/2010 Rashidi D26/118
D626,094 S * 10/2010 Alexander D13/179
D627,496 S * 11/2010 Feinbloom D26/28
(Continued)

FOREIGN PATENT DOCUMENTS

WO RGN-D207064-011 * 4/2020

OTHER PUBLICATIONS

Daytime running light for motorcycles (available online) Retrieved from the internet Apr. 19, 2021 from URL: <https://www.kellermann-online.com/en/lights/function/daytime-running-light-position-light-indicator/>.*

Primary Examiner — Kevin K Rudzinski
Assistant Examiner — Richard Kearney
(74) *Attorney, Agent, or Firm* — Henry M. Feiereisen LLC

(57) **CLAIM**

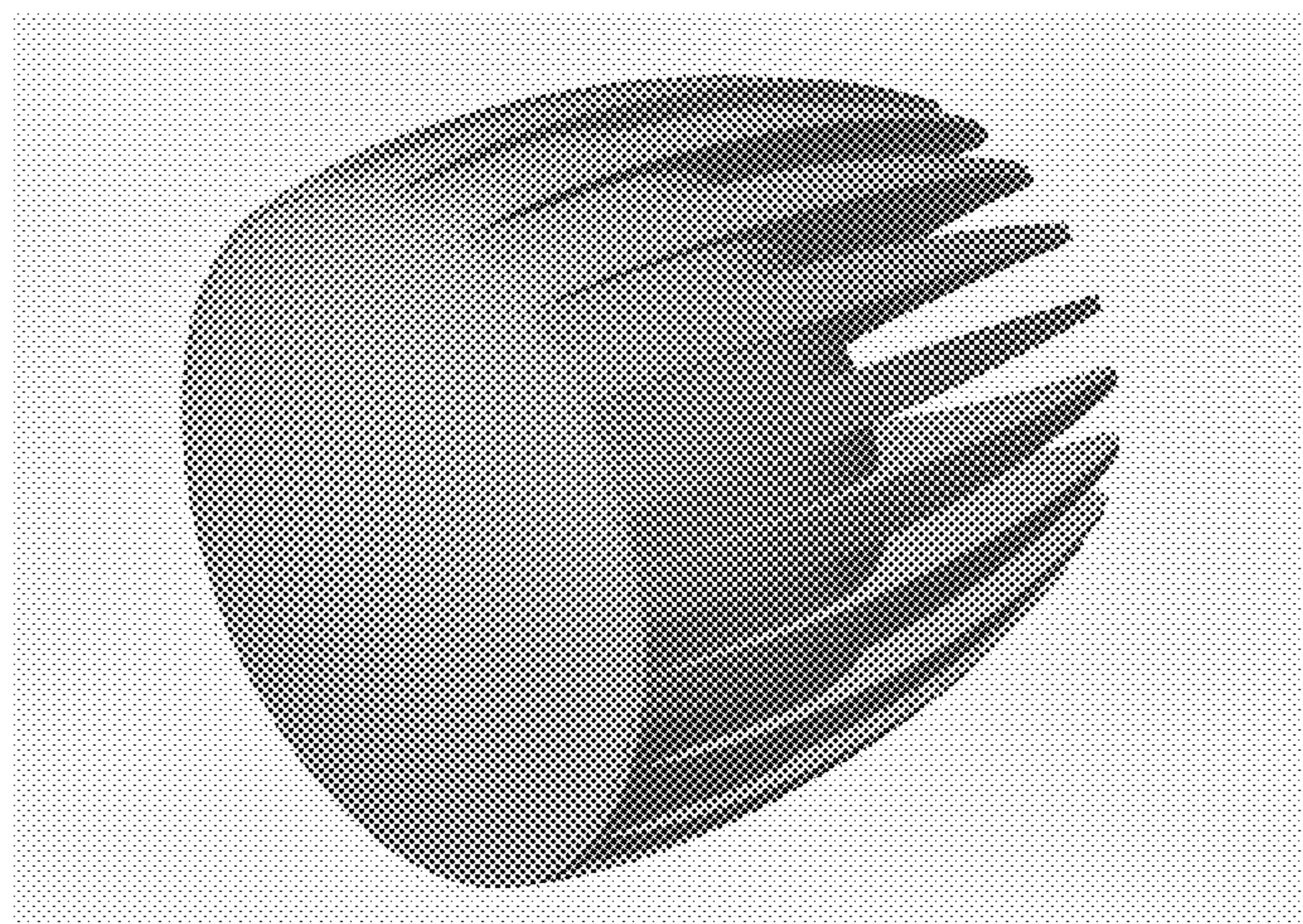
The ornamental design for light for vehicles, as shown and described.

DESCRIPTION

The patent or application file contains at least one drawing executed in color. Copies of this patent or patent application publication with color drawing(s) will be provided by the Office upon request and payment of the necessary fee.

- 7, 8, 10, 11. Light for vehicles
- 7.0 Right
- 8.0 : Perspective
- 10.1 : Perspective
- 10.2 : Perspective
- 11.1 : Perspective
- 11.2 : Right
- 11.3 : Perspective
- 11.4 : Back
- 11.5 : Bottom

(Continued)



11.6 : Front

11.7 : Top

1 Claim, 11 Drawing Sheets
(11 of 11 Drawing Sheet(s) Filed in Color)

(56)

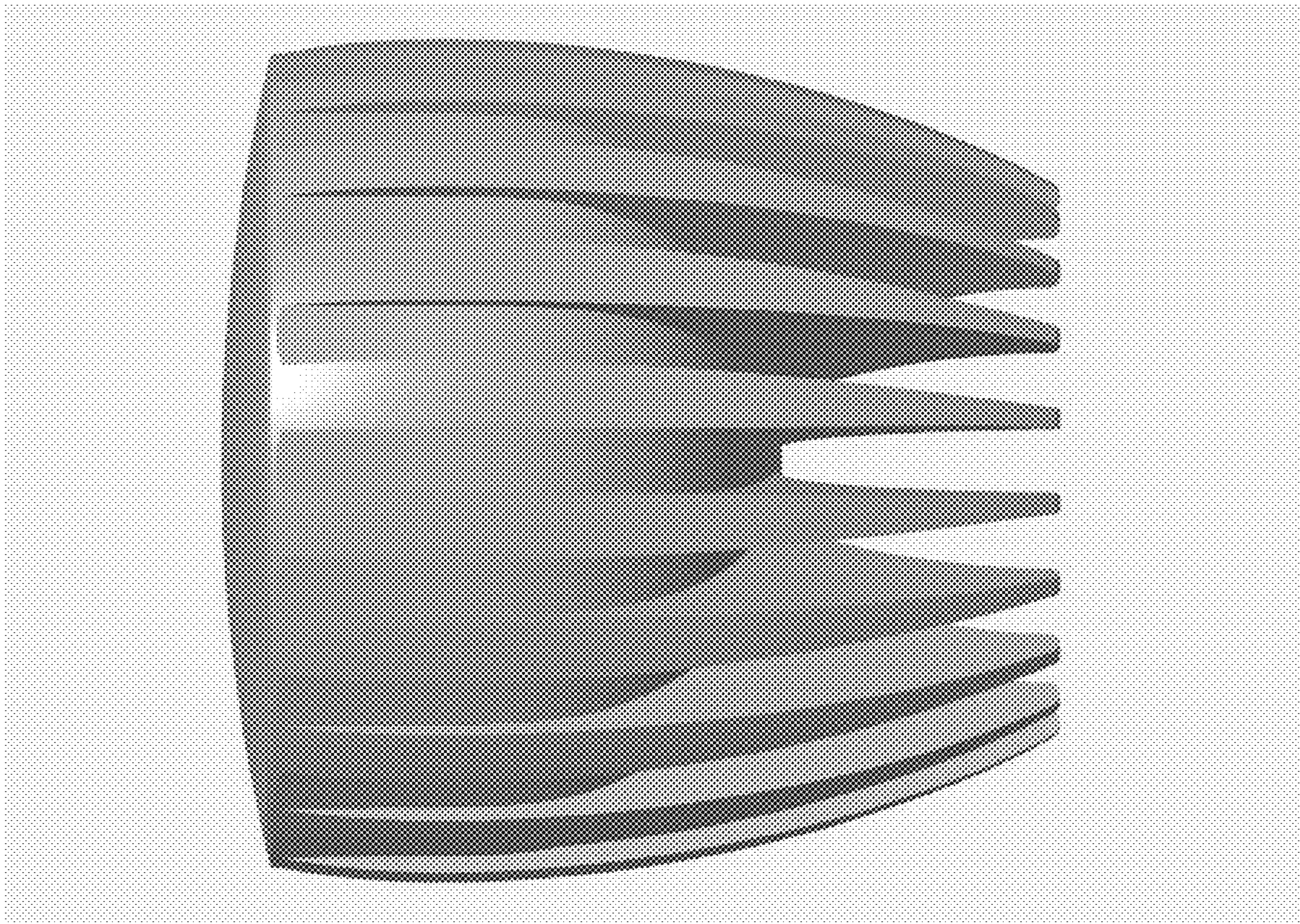
References Cited

U.S. PATENT DOCUMENTS

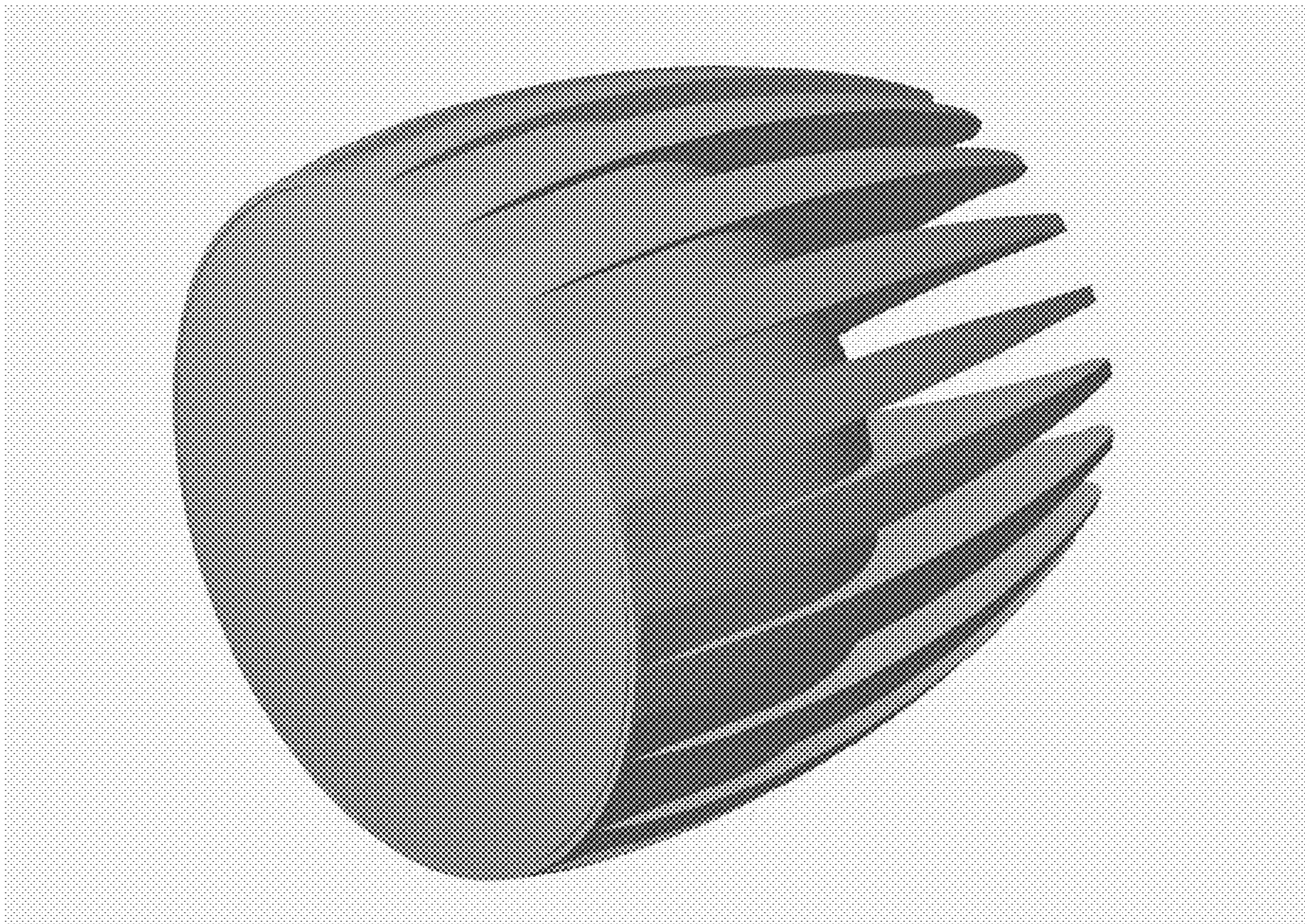
D651,735	S	*	1/2012	Dai	D26/72
D664,694	S	*	7/2012	Guercio	D26/62
D665,527	S	*	8/2012	Harger	D26/136
D669,210	S	*	10/2012	Guercio	D26/136
D672,895	S	*	12/2012	Guercio	D26/62
D672,907	S	*	12/2012	Wilcox	F21V 29/713
						D26/118
D695,948	S	*	12/2013	Sabernig	D26/118
D714,991	S	*	10/2014	Norris	D26/118
D720,480	S	*	12/2014	Demshki, Jr.	D26/24
D736,430	S	*	8/2015	Ko	D26/28
D877,944	S	*	3/2020	Yoshida	D26/28
D894,443	S	*	8/2020	Sato	D26/28

* cited by examiner

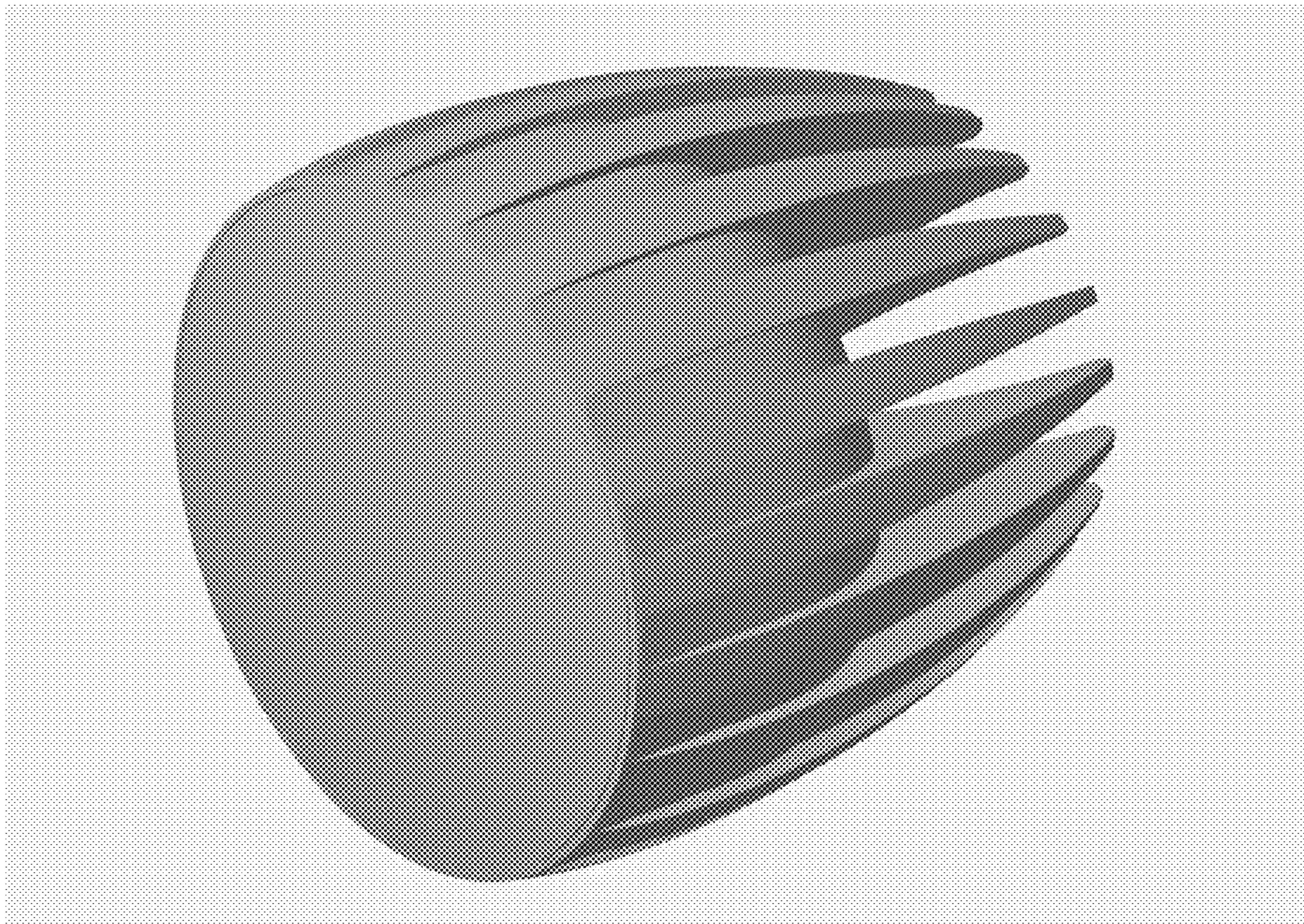
7.0



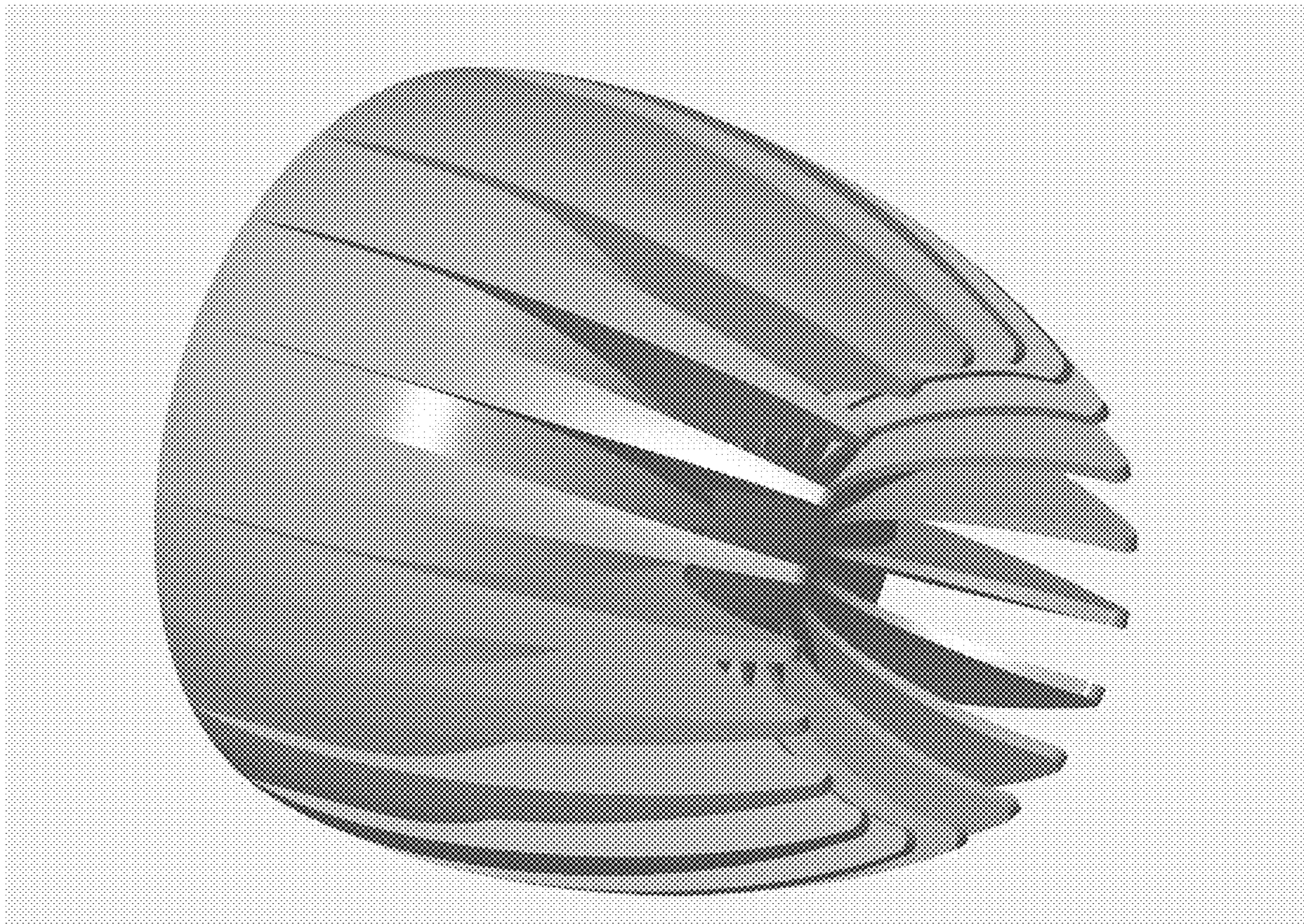
8.0



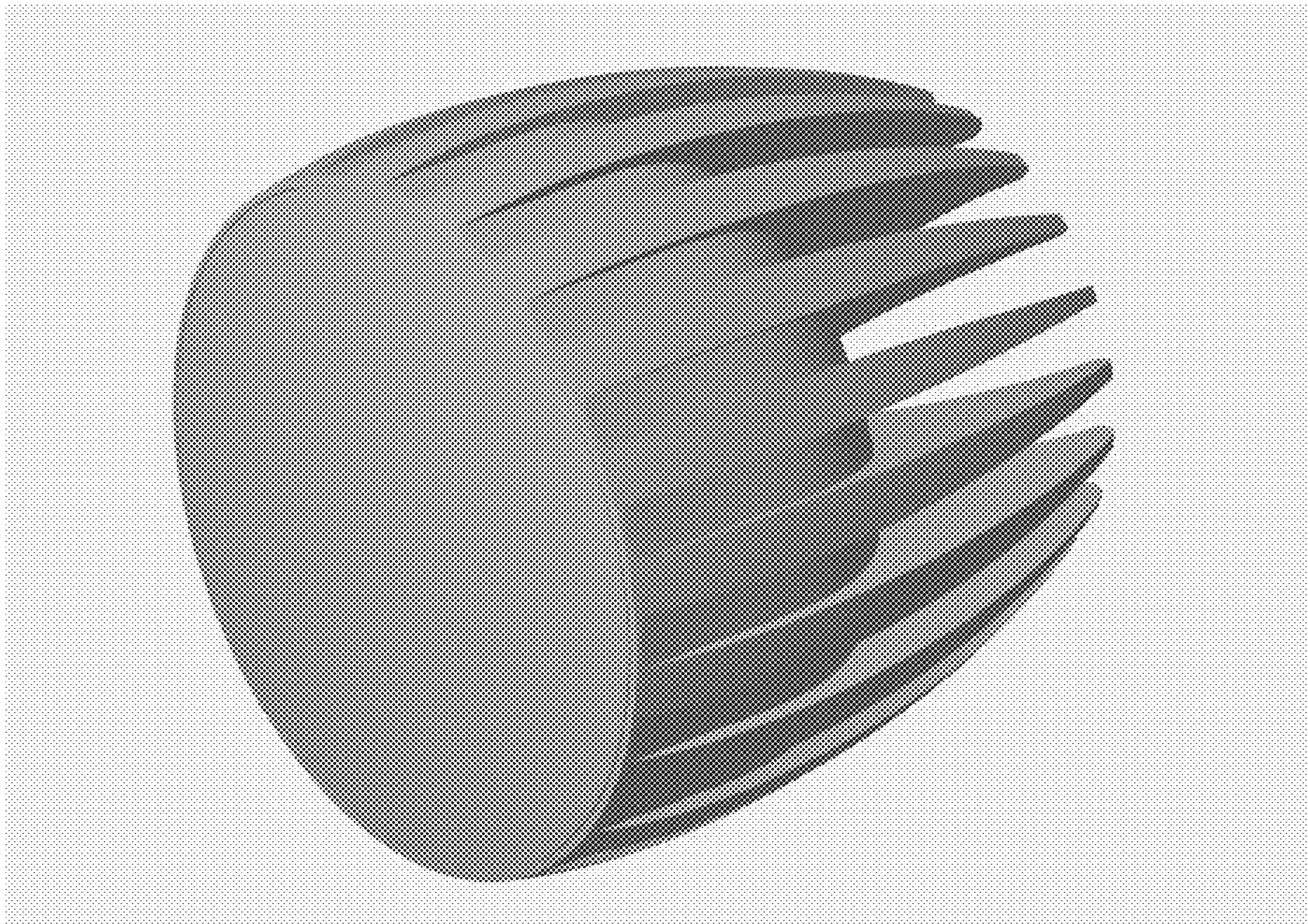
10.1



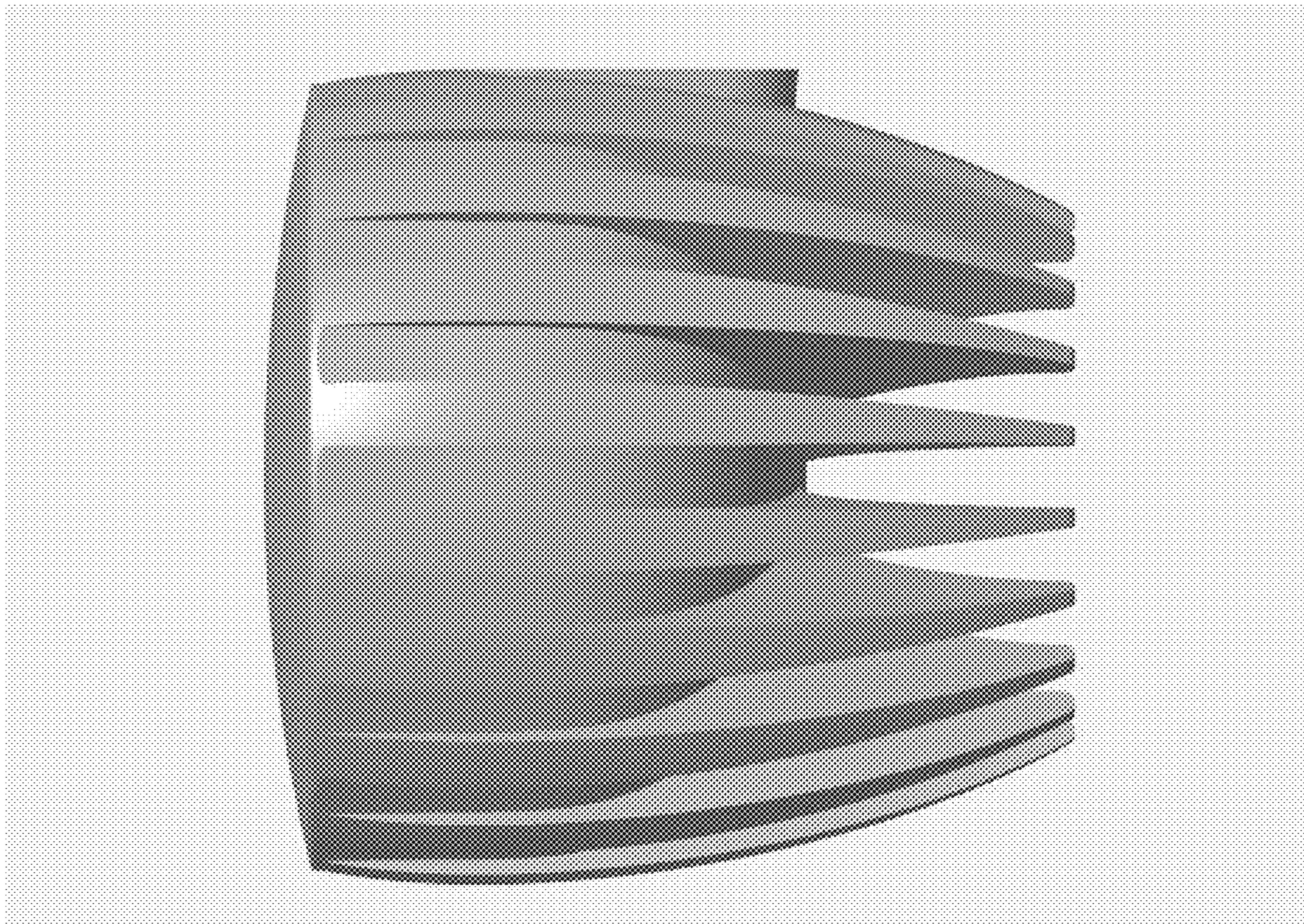
10.2



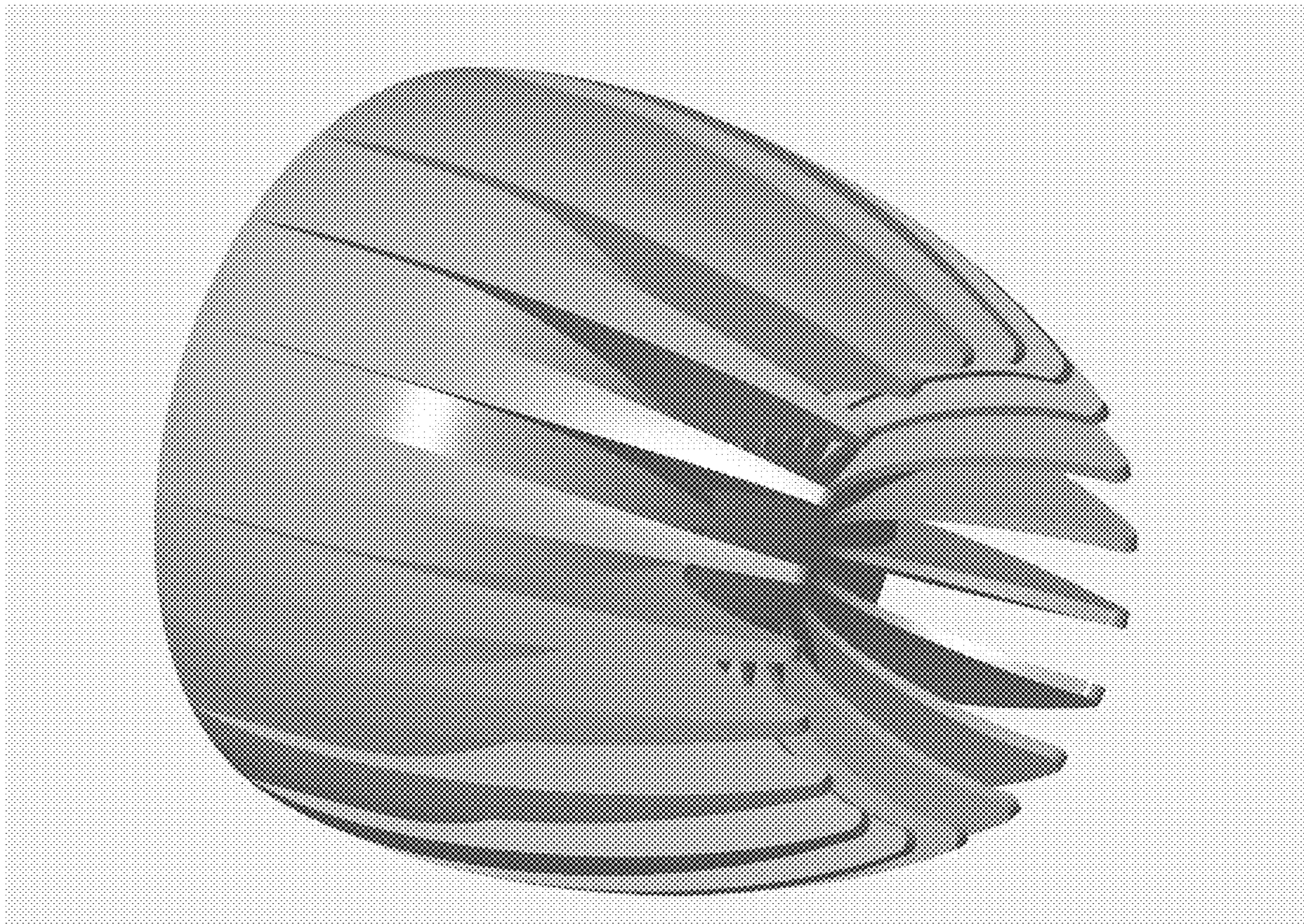
11.1



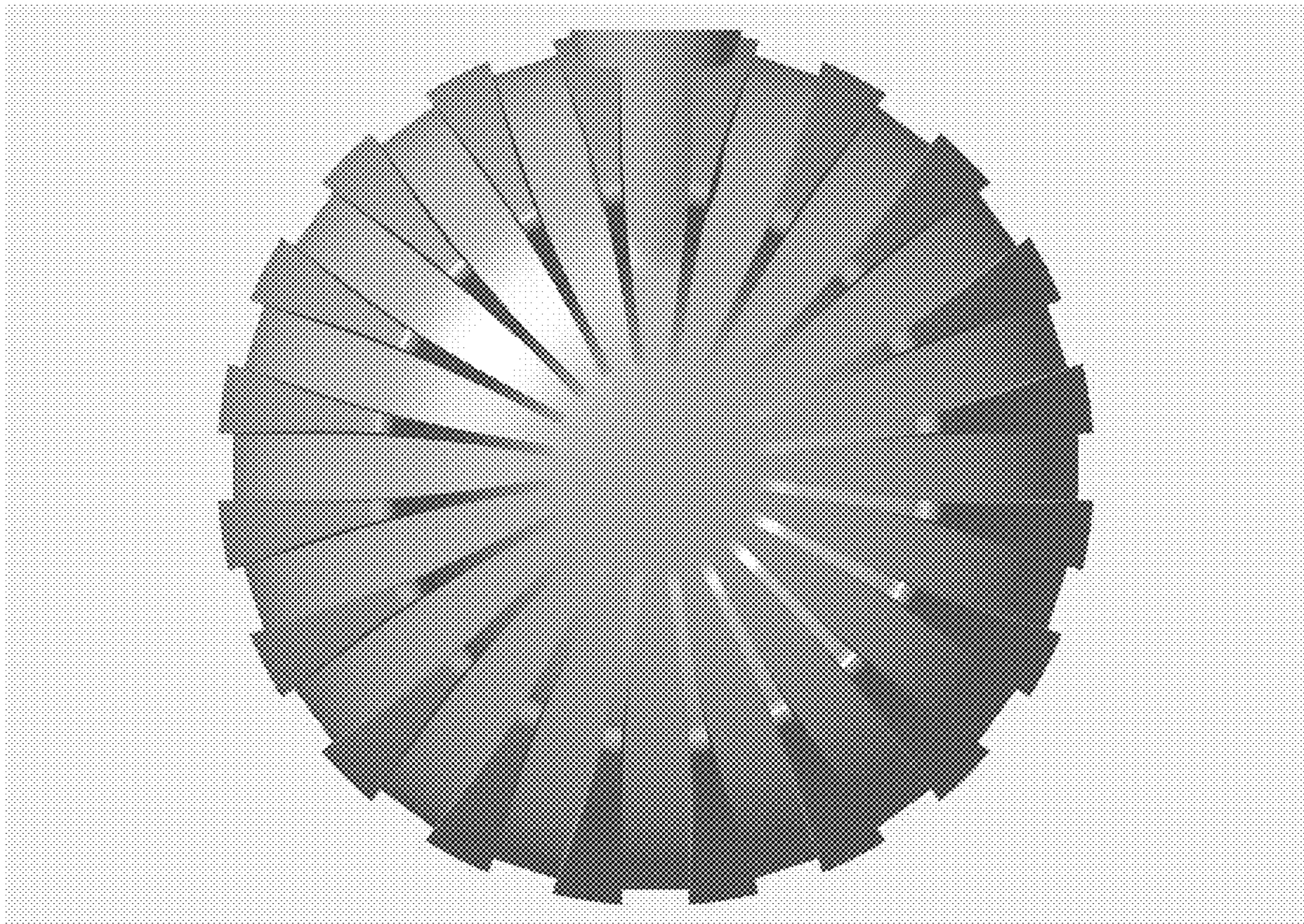
11.2



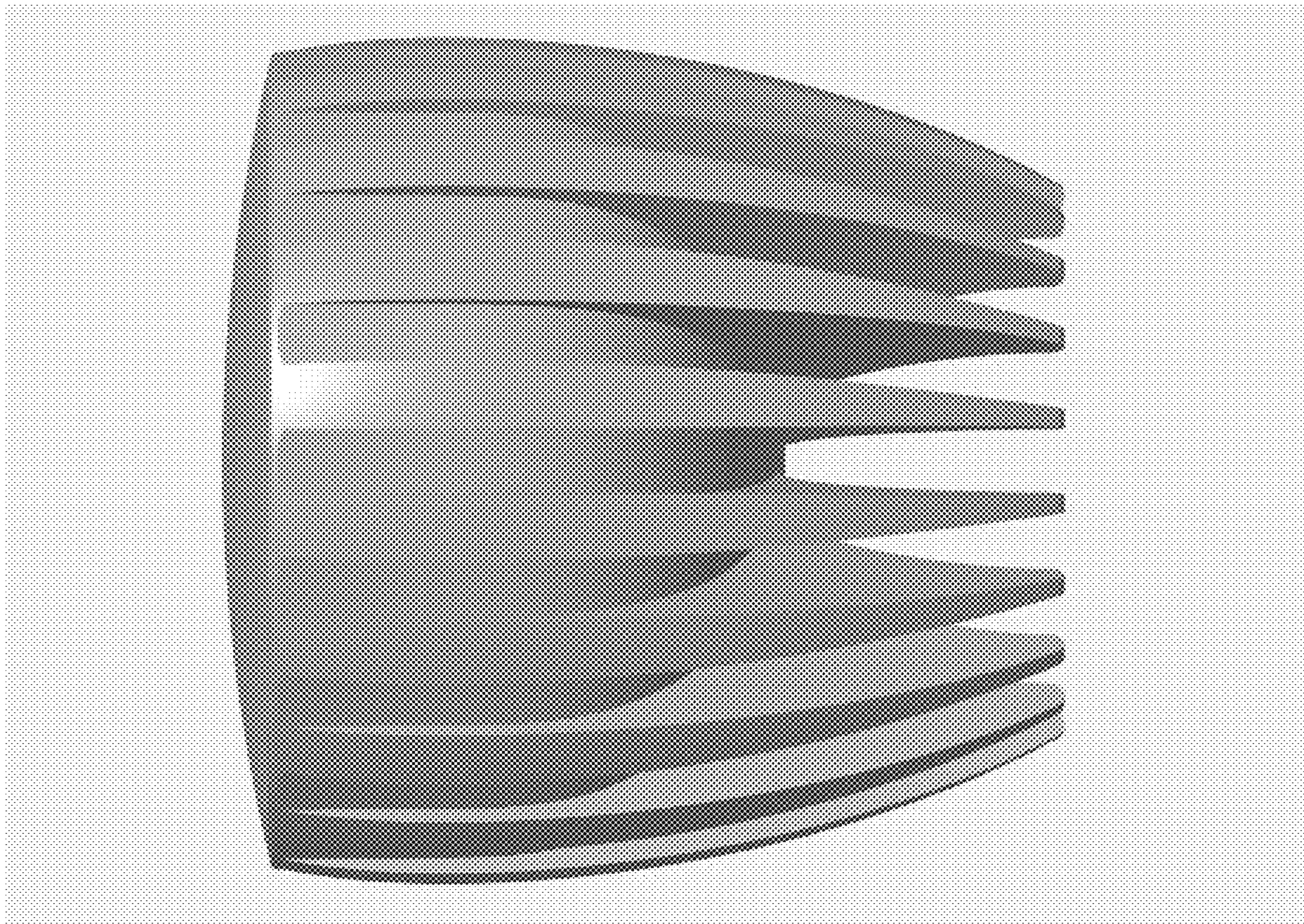
11.3



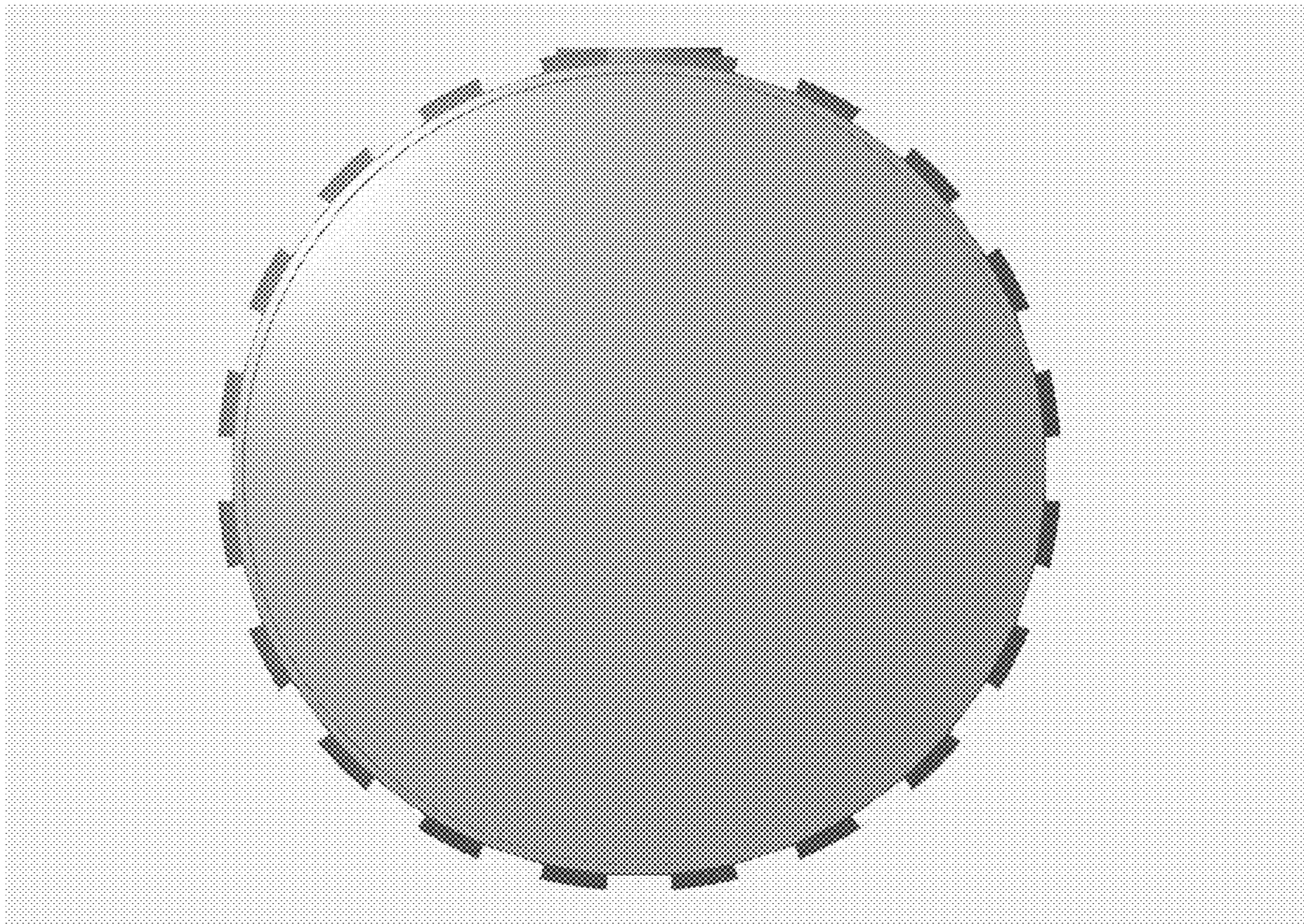
11.4



11.5



11.6



11.7

