



US00D930199S

(12) **United States Design Patent** (10) **Patent No.:** **US D930,199 S**
Chen (45) **Date of Patent:** **** Sep. 7, 2021**

(54) **VEHICLE HEADLIGHT**

Primary Examiner — Marcus A Jackson

(71) Applicant: **Zhejiang Hongguan Lighting Technology Co., Ltd., Rui'an (CN)**

(72) Inventor: **Yu Chen, Rui'an (CN)**

(**) Term: **15 Years**

(21) Appl. No.: **29/773,889**

(22) Filed: **Mar. 12, 2021**

(51) **LOC (13) Cl.** **26-06**

(52) **U.S. Cl.**
USPC **D26/28**

(58) **Field of Classification Search**
USPC D26/28-36, 139
CPC F21S 48/00; F21S 48/10; F21S 48/115;
F21S 48/225; F21S 48/1233; F21S
48/1266; F21S 48/1388; F21S 48/2268;
F21V 21/04; F21V 29/004; B60Q 9/13;
B60Q 9/135; B60Q 9/1375

See application file for complete search history.

(56) **References Cited**

U.S. PATENT DOCUMENTS

D593,233 S	5/2009	Bai et al.	
D597,689 S	8/2009	Sun et al.	
D878,642 S	3/2020	Ren	
D883,526 S *	5/2020	Lin	D26/28
D883,538 S *	5/2020	Lai	D26/28
D884,940 S *	5/2020	He	D26/28
D888,298 S *	6/2020	Wu	D26/28
D893,065 S *	8/2020	He	D26/28
D900,359 S *	10/2020	He	D26/28

* cited by examiner

(57) **CLAIM**

The ornamental design for a vehicle headlight, as shown and described.

DESCRIPTION

FIG. 1 is a first perspective view of a first embodiment of a vehicle headlight showing my new design;
FIG. 2 is a second perspective view of the first embodiment thereof;
FIG. 3 is a front view of the first embodiment thereof;
FIG. 4 is a back view of the first embodiment thereof;
FIG. 5 is a left side view of the first embodiment thereof;
FIG. 6 is a right side view of the first embodiment thereof;
FIG. 7 is a top view of the first embodiment thereof;
FIG. 8 is a bottom view of the first embodiment thereof;
FIG. 9 is a first perspective view of a second embodiment of a vehicle headlight showing my new design;
FIG. 10 is a second perspective view of the second embodiment thereof;
FIG. 11 is a front view of a second embodiment thereof;
FIG. 12 is a back view of the second embodiment thereof;
FIG. 13 is a left side view of the second embodiment thereof;
FIG. 14 is a right side view of the second embodiment thereof;
FIG. 15 is a top view of the second embodiment thereof;
and,
FIG. 16 is a bottom view of the second embodiment thereof.

1 Claim, 16 Drawing Sheets

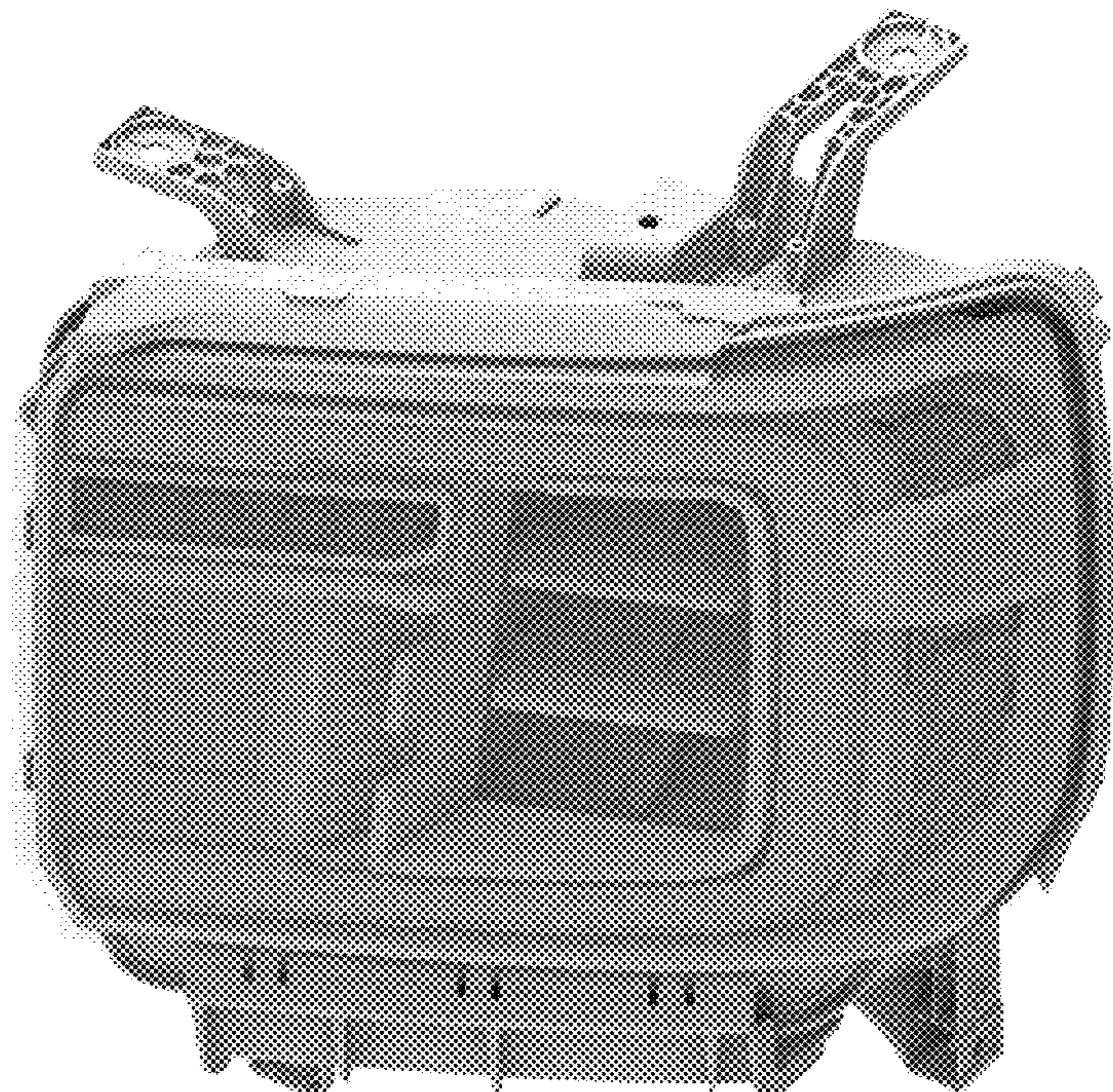




FIG. 1

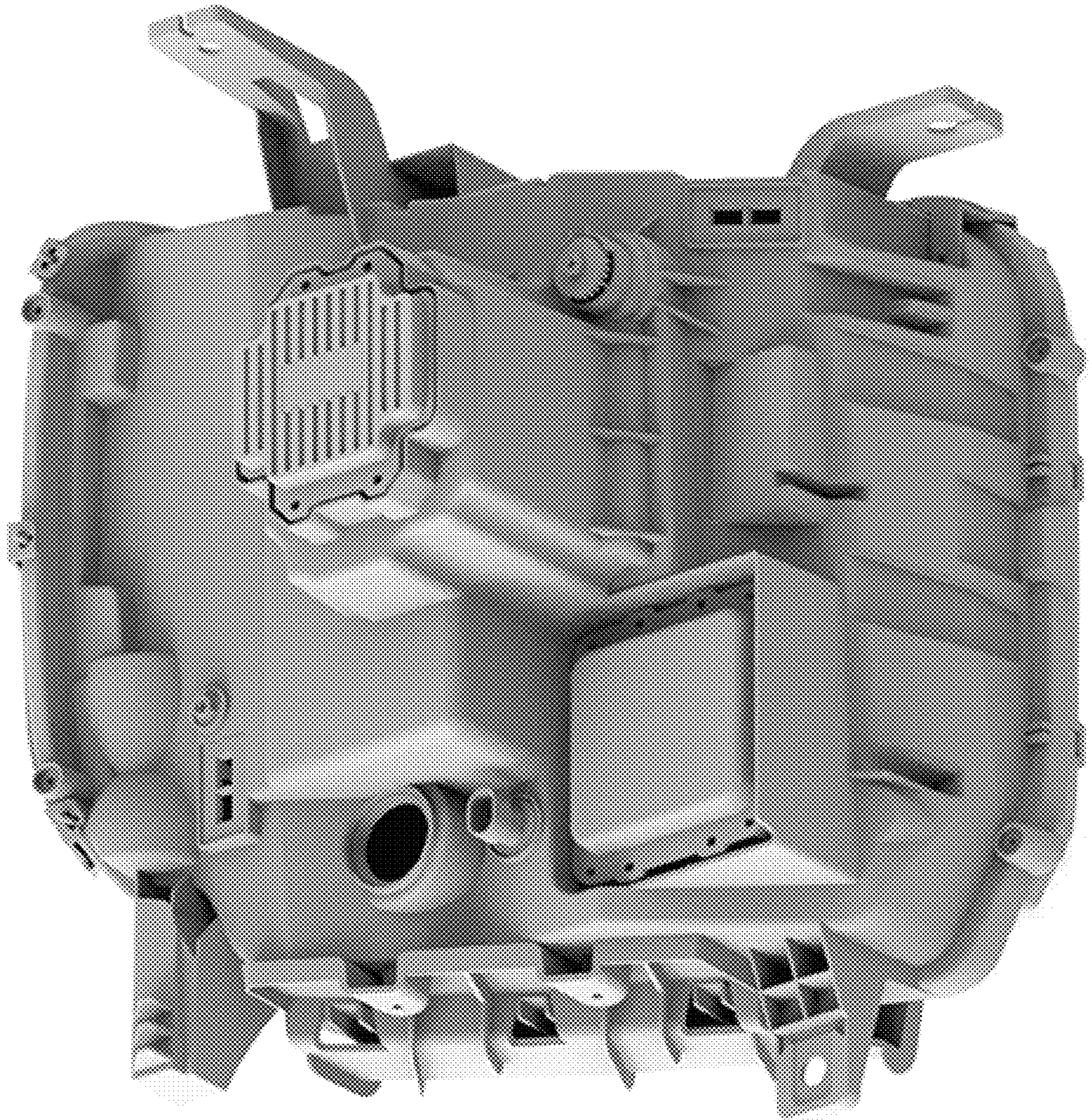


FIG. 2

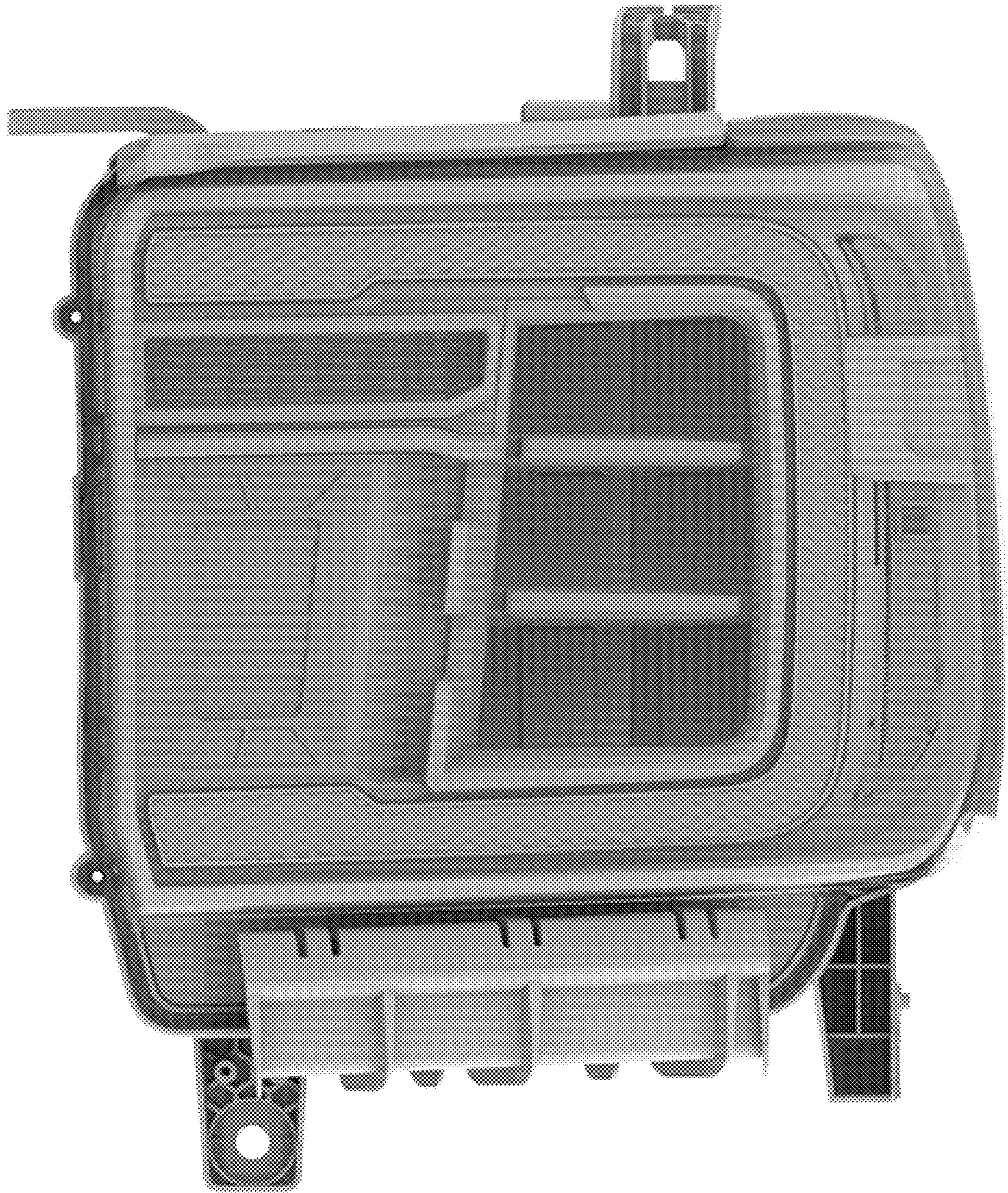


FIG. 3

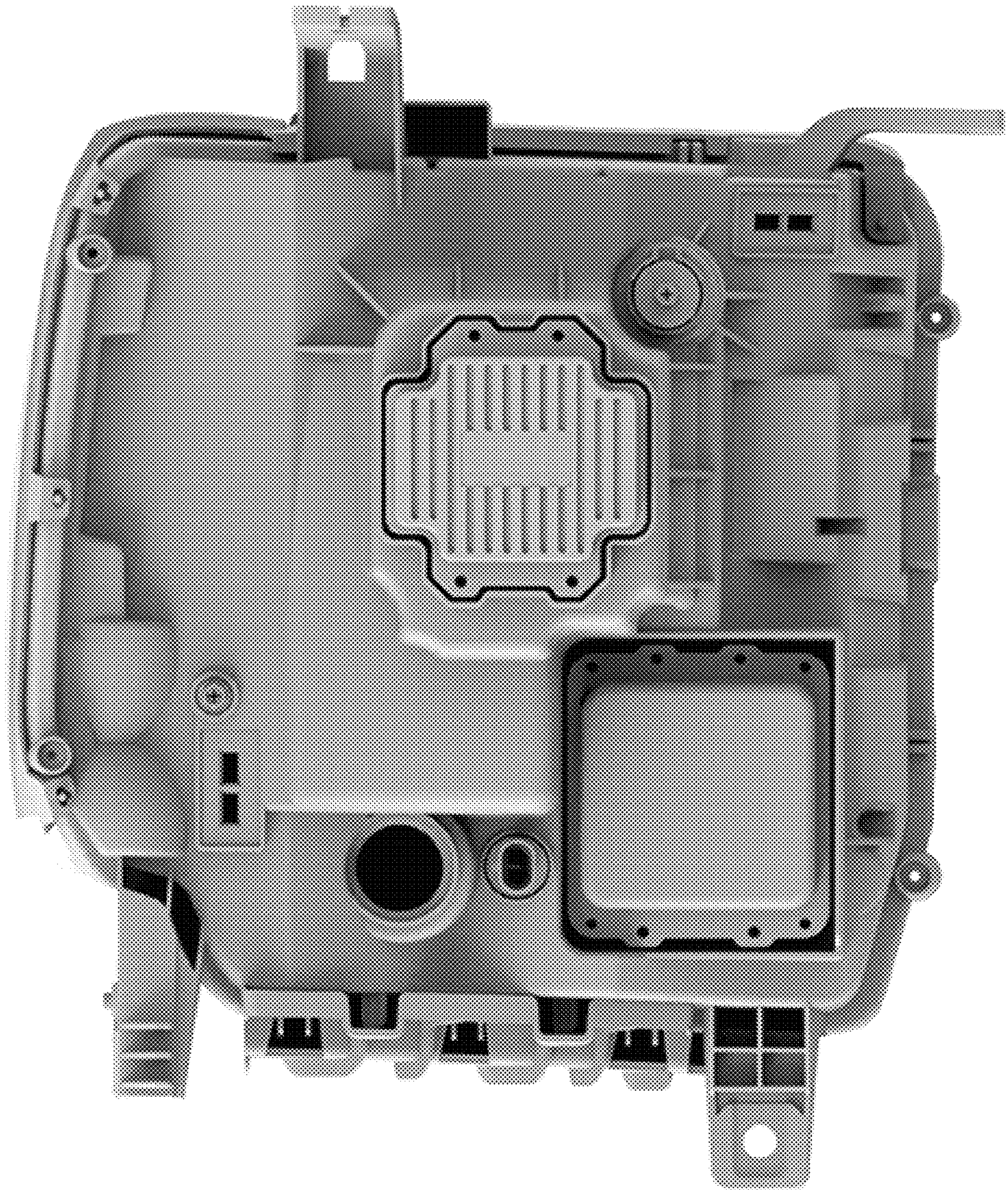


FIG. 4

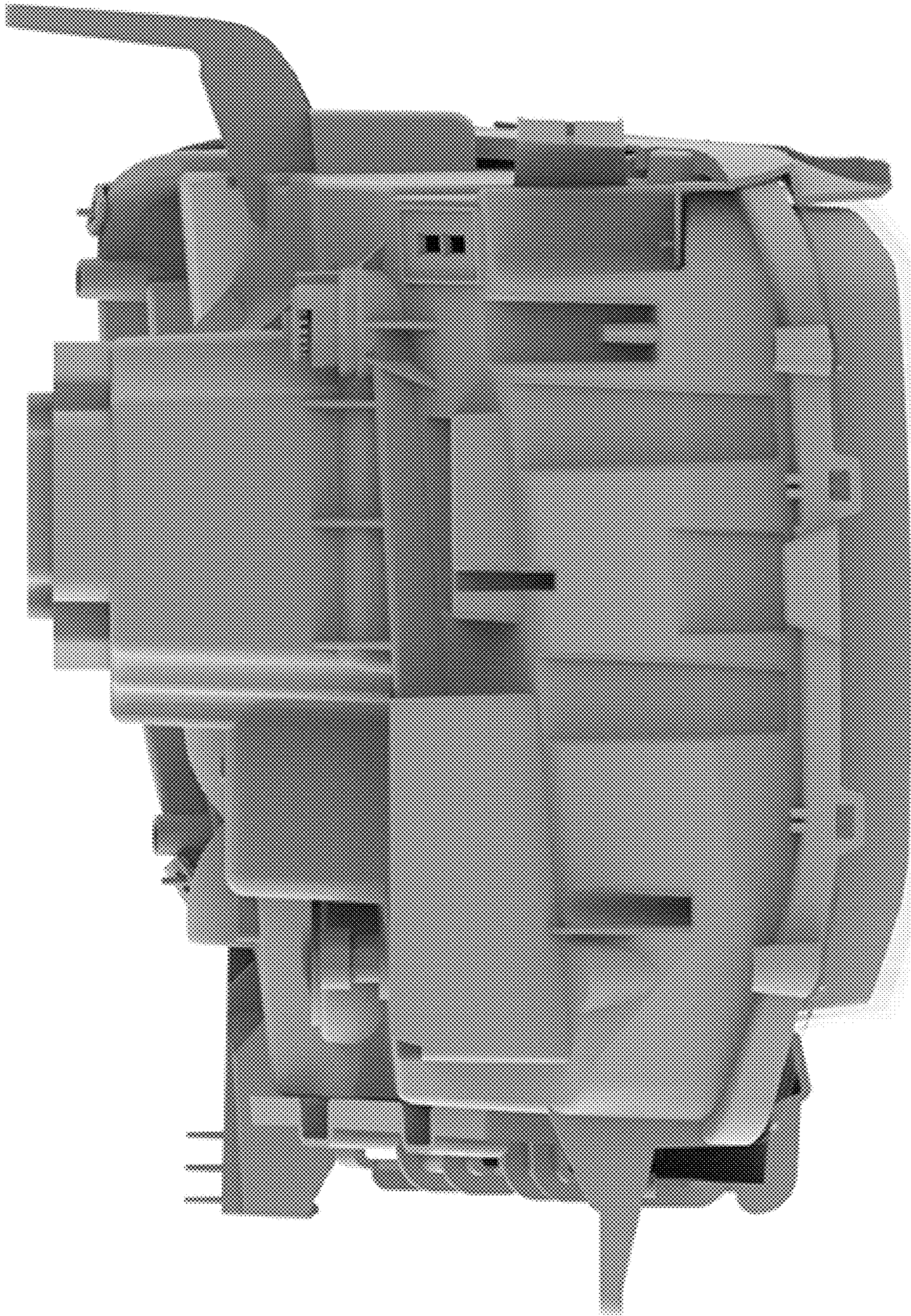


FIG. 5



FIG. 6

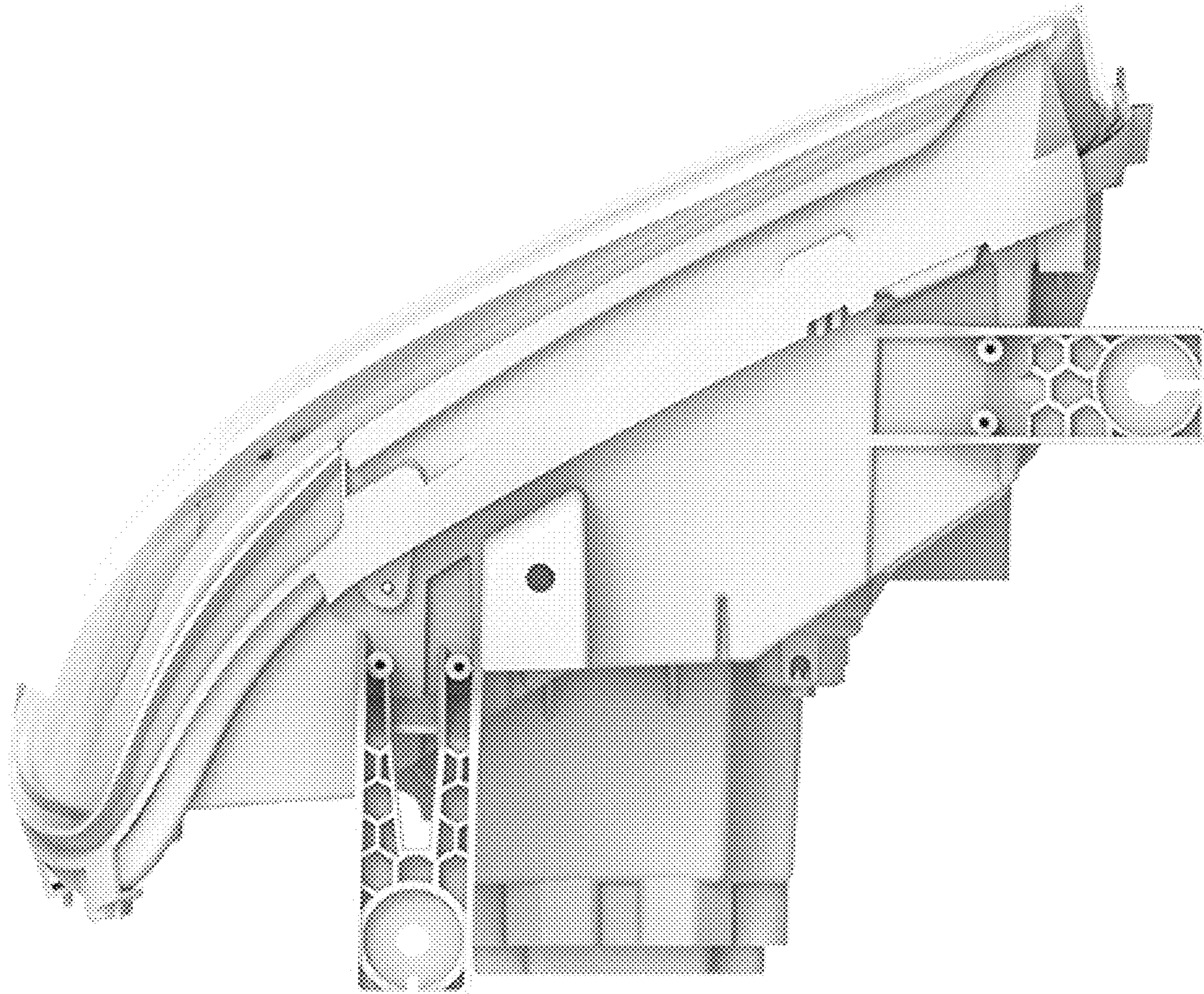


FIG. 7

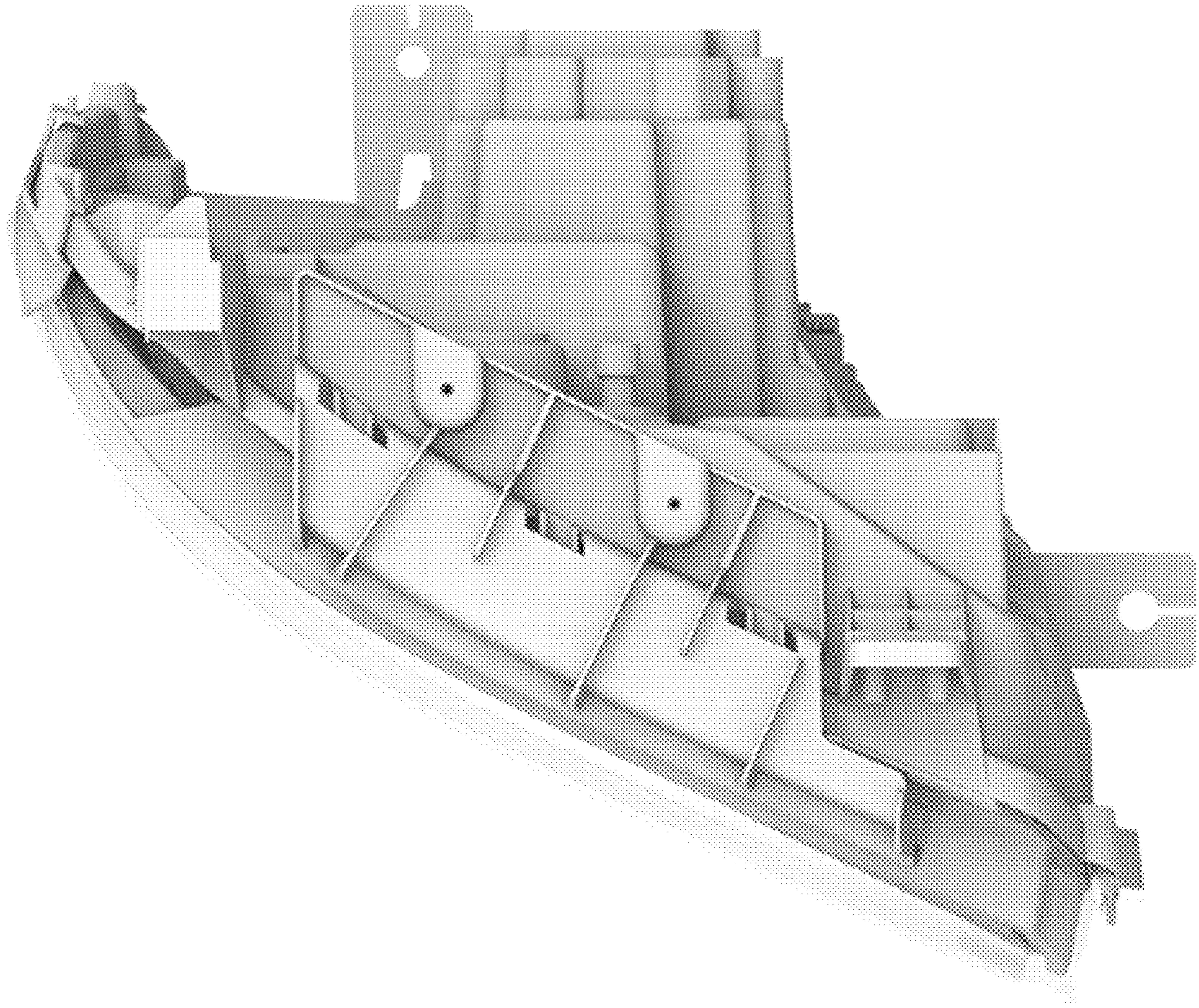


FIG. 8

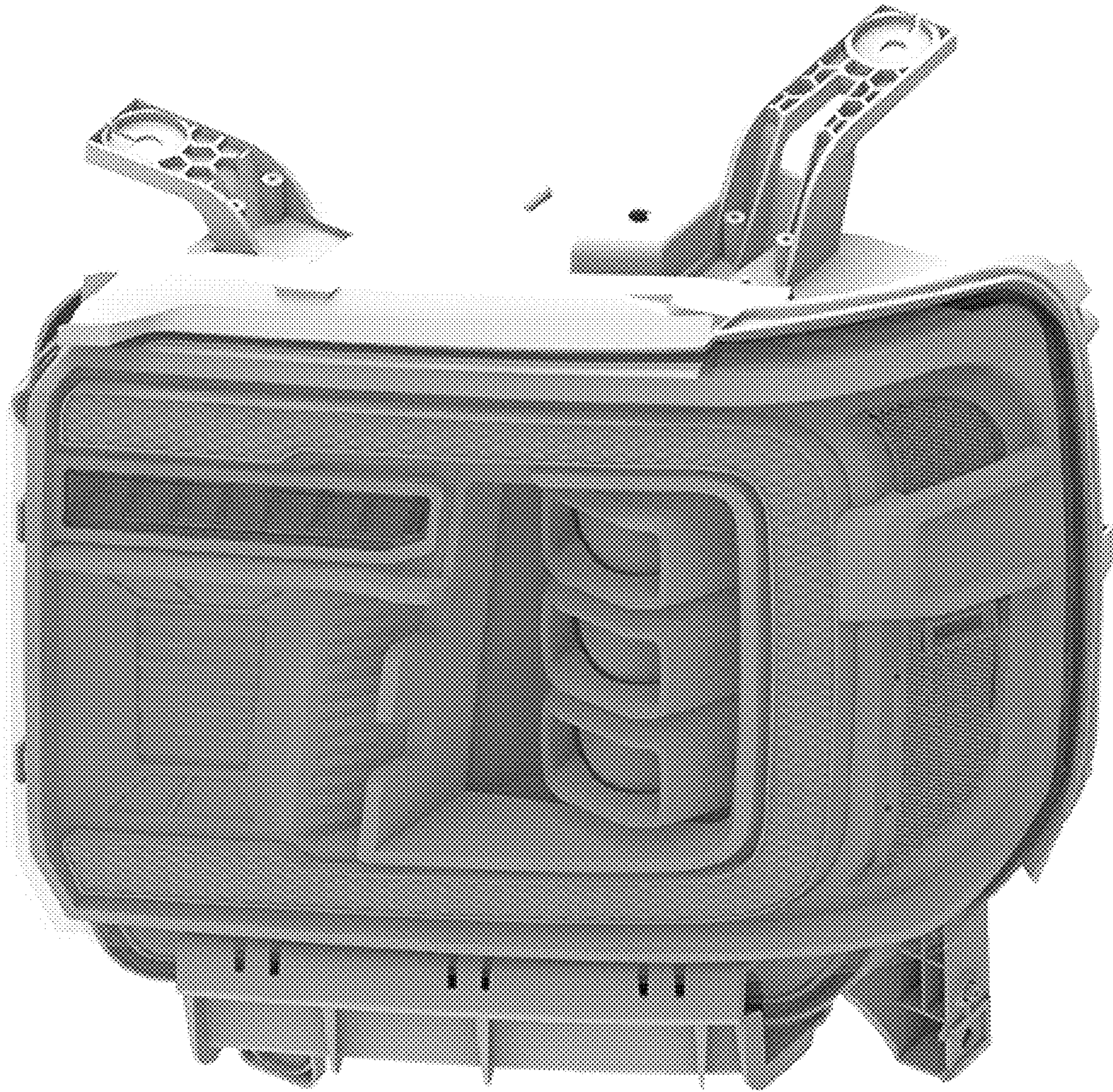


FIG. 9

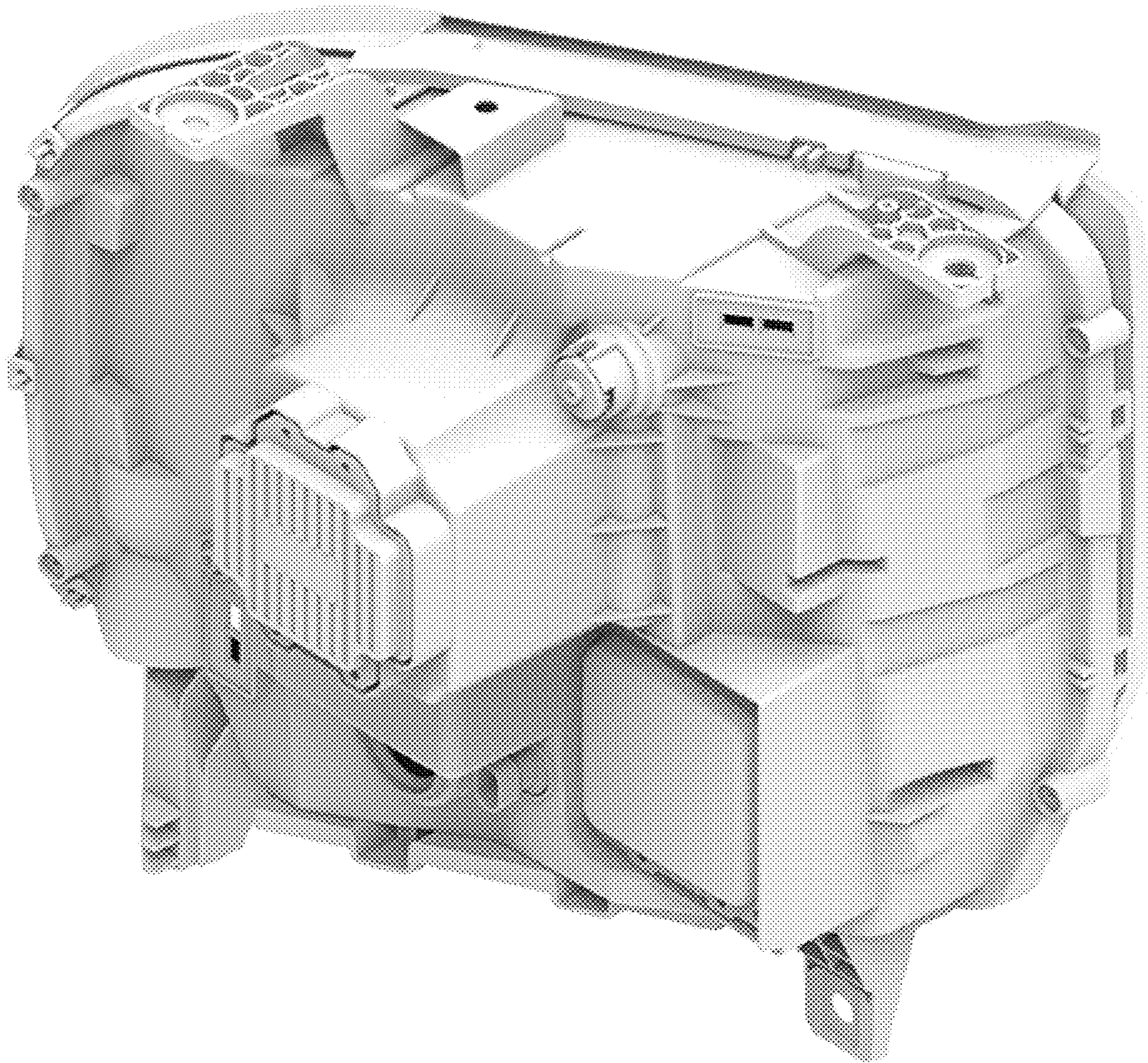


FIG. 10



FIG. 11

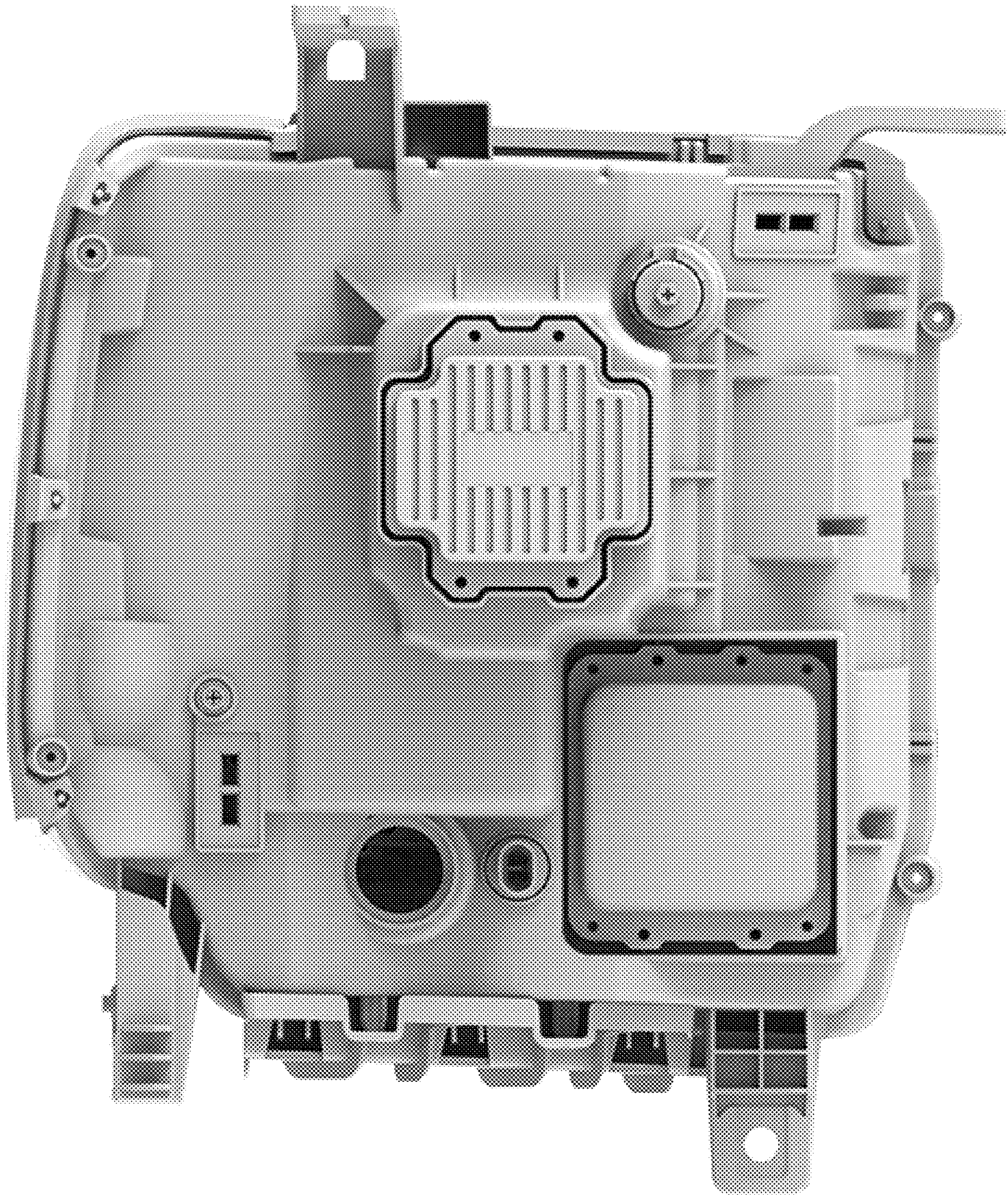


FIG. 12

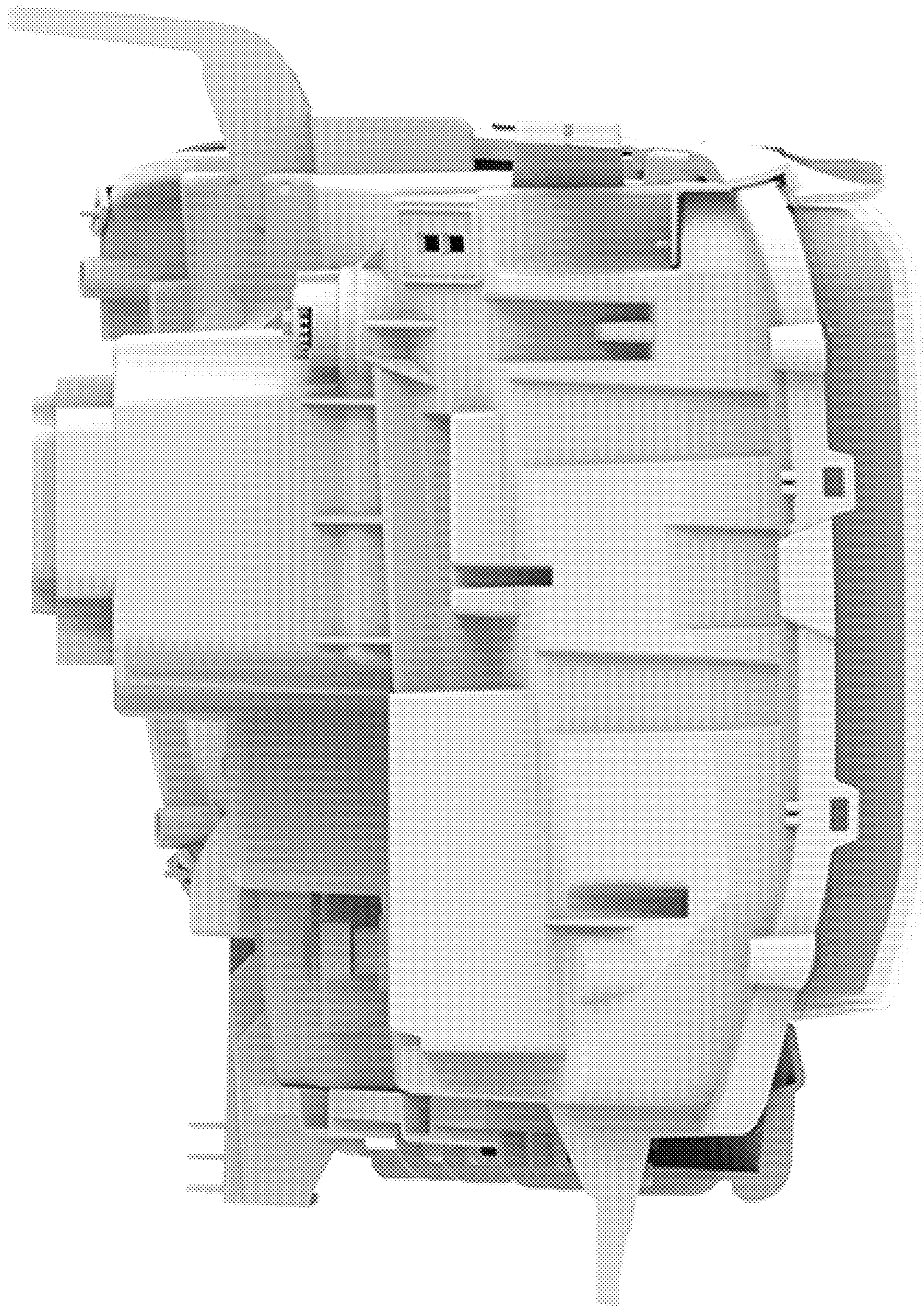


FIG. 13

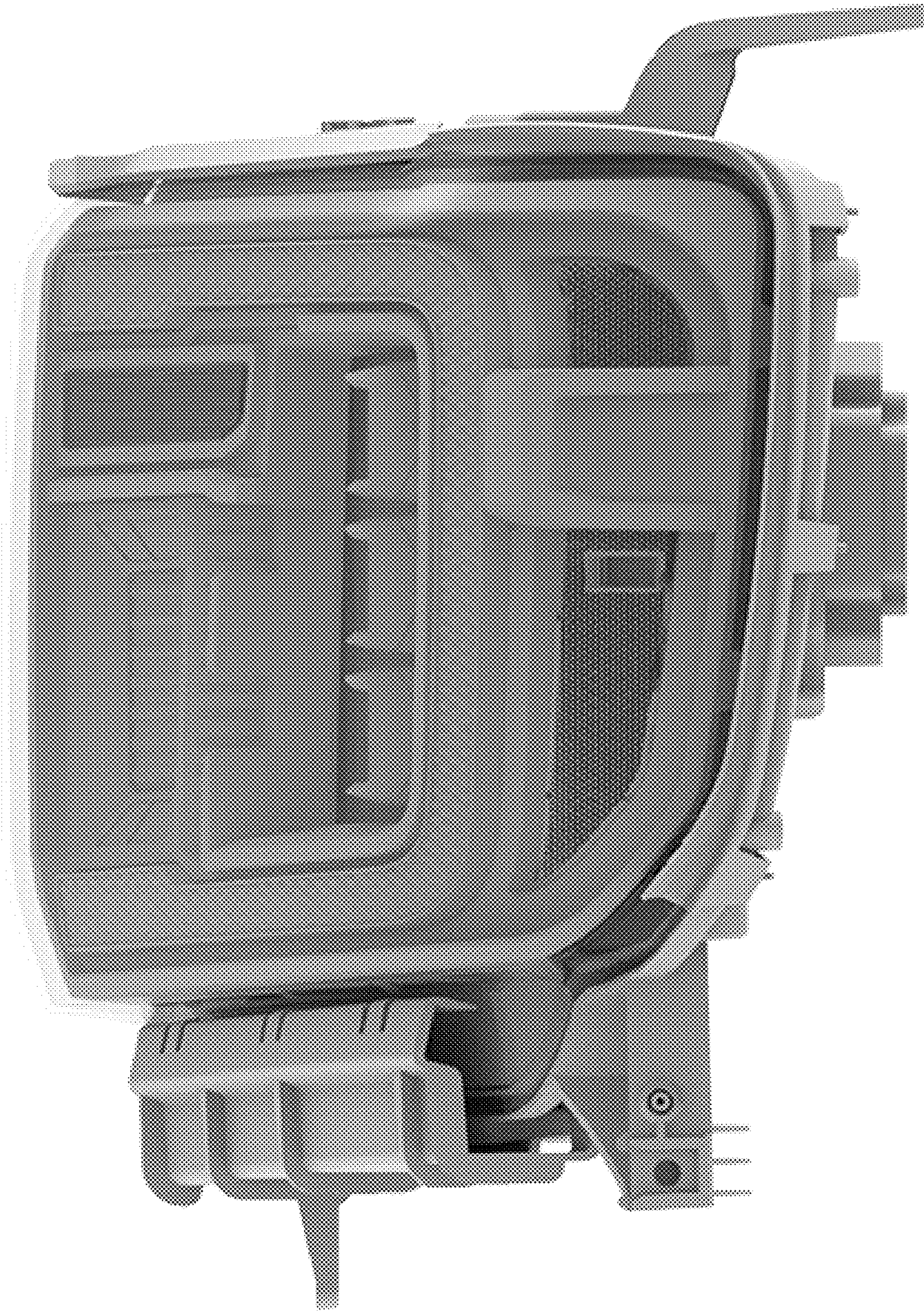


FIG. 14

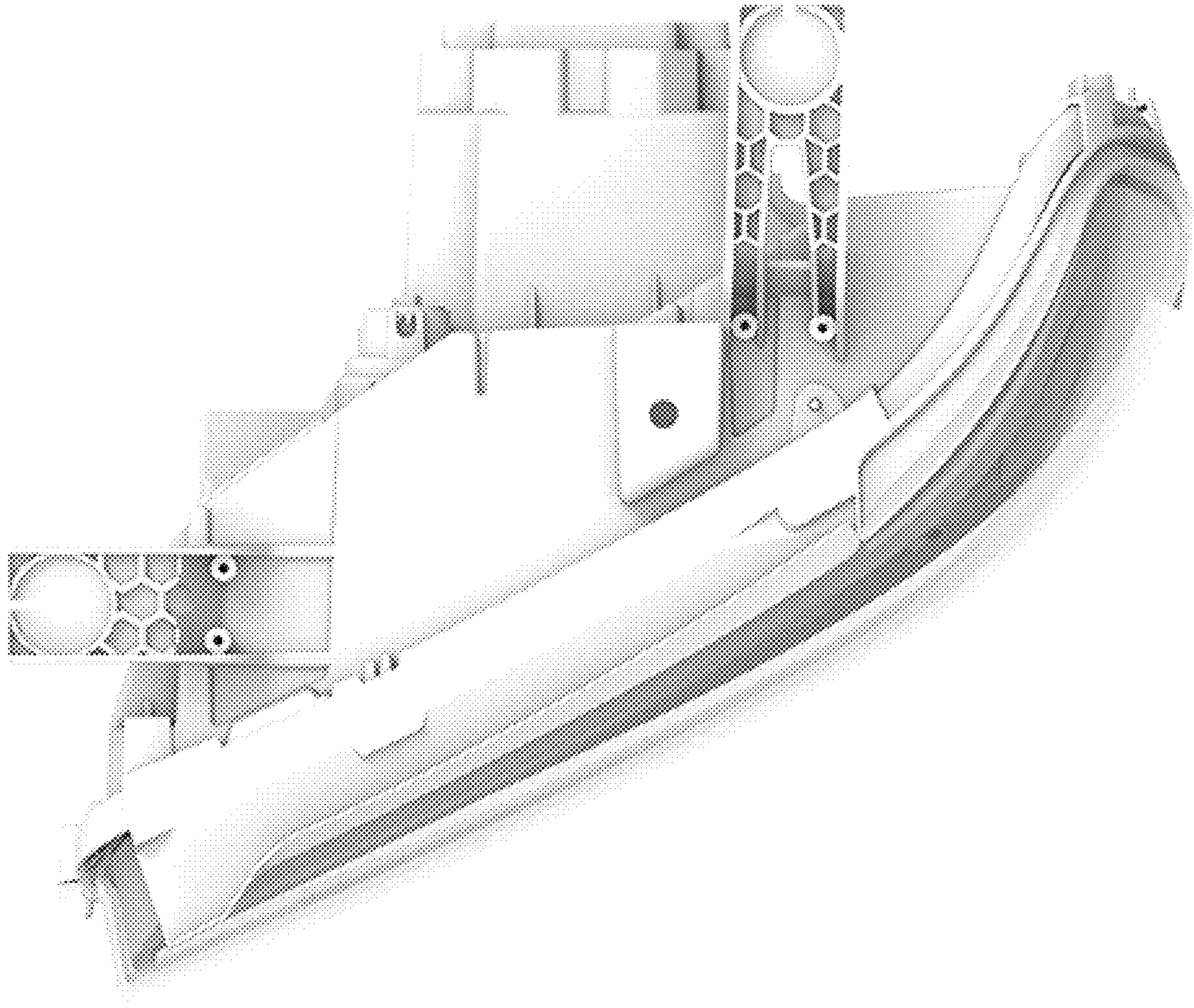


FIG. 15

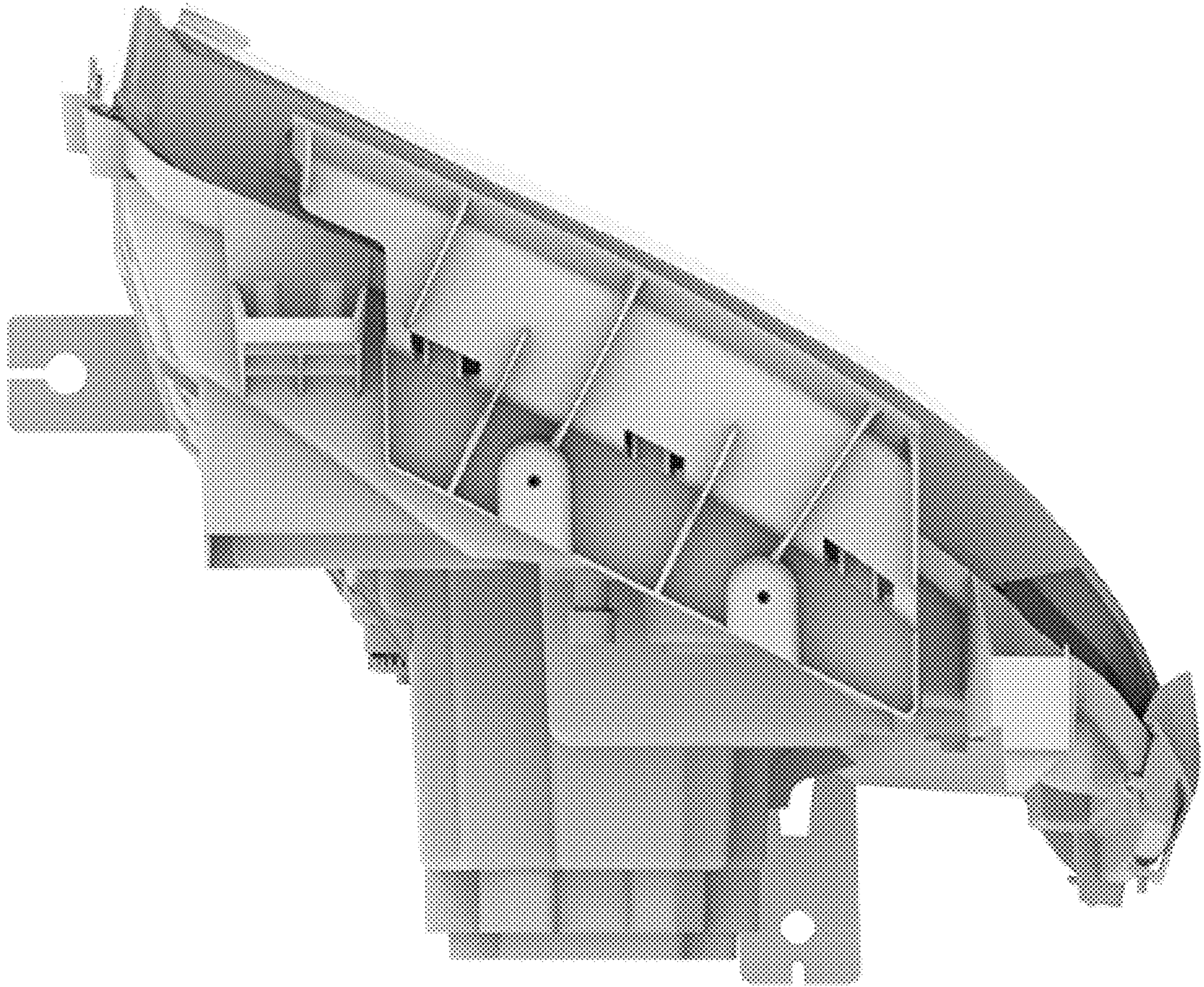


FIG. 16