



US00D930195S

(12) **United States Design Patent**  
**Deurwaarder**

(10) **Patent No.:** **US D930,195 S**  
(45) **Date of Patent:** **\*\* Sep. 7, 2021**

(54) **LIGHTING FIXTURE**

(71) Applicant: **SIGNIFY HOLDING B.V.**, Eindhoven  
(NL)

(72) Inventor: **Wessel Peter Deurwaarder**, Eindhoven  
(NL)

(73) Assignee: **SIGNIFY HOLDING B.V.**, Eindhoven  
(NL)

(\*\*) Term: **15 Years**

(21) Appl. No.: **29/686,303**

(22) Filed: **Apr. 3, 2019**

(30) **Foreign Application Priority Data**

Oct. 10, 2018 (EM) ..... 005792579-0001

(51) **LOC (13) Cl.** ..... **26-05**

(52) **U.S. Cl.**

USPC ..... **D26/26**

(58) **Field of Classification Search**

USPC ..... D26/26, 24, 113, 118, 119, 120;  
D23/366, 367, 369; 362/640, 641, 642,  
362/643, 644, 650, 651, 652, 653, 659

See application file for complete search history.

(56) **References Cited**

**U.S. PATENT DOCUMENTS**

D443,380 S \* 6/2001 Williams ..... D26/87  
D457,667 S \* 5/2002 Piepgras ..... D26/26

D563,588 S \* 3/2008 Mullen ..... D26/85  
D601,281 S \* 9/2009 Howard ..... D26/26  
D612,522 S \* 3/2010 Howard ..... D26/26  
D617,491 S \* 6/2010 Dordoni ..... D26/85  
D617,492 S \* 6/2010 Dordoni ..... D26/85  
D639,985 S \* 6/2011 Stolte ..... D26/26  
D646,006 S \* 9/2011 Stolte ..... D26/26  
D840,061 S \* 2/2019 Kolenda ..... D26/26  
D840,062 S \* 2/2019 Kolenda ..... D26/26  
D868,340 S \* 11/2019 Richardson ..... D26/85

\* cited by examiner

*Primary Examiner* — Angela J Lee

(74) *Attorney, Agent, or Firm* — Daniel J. Piotrowski

(57) **CLAIM**

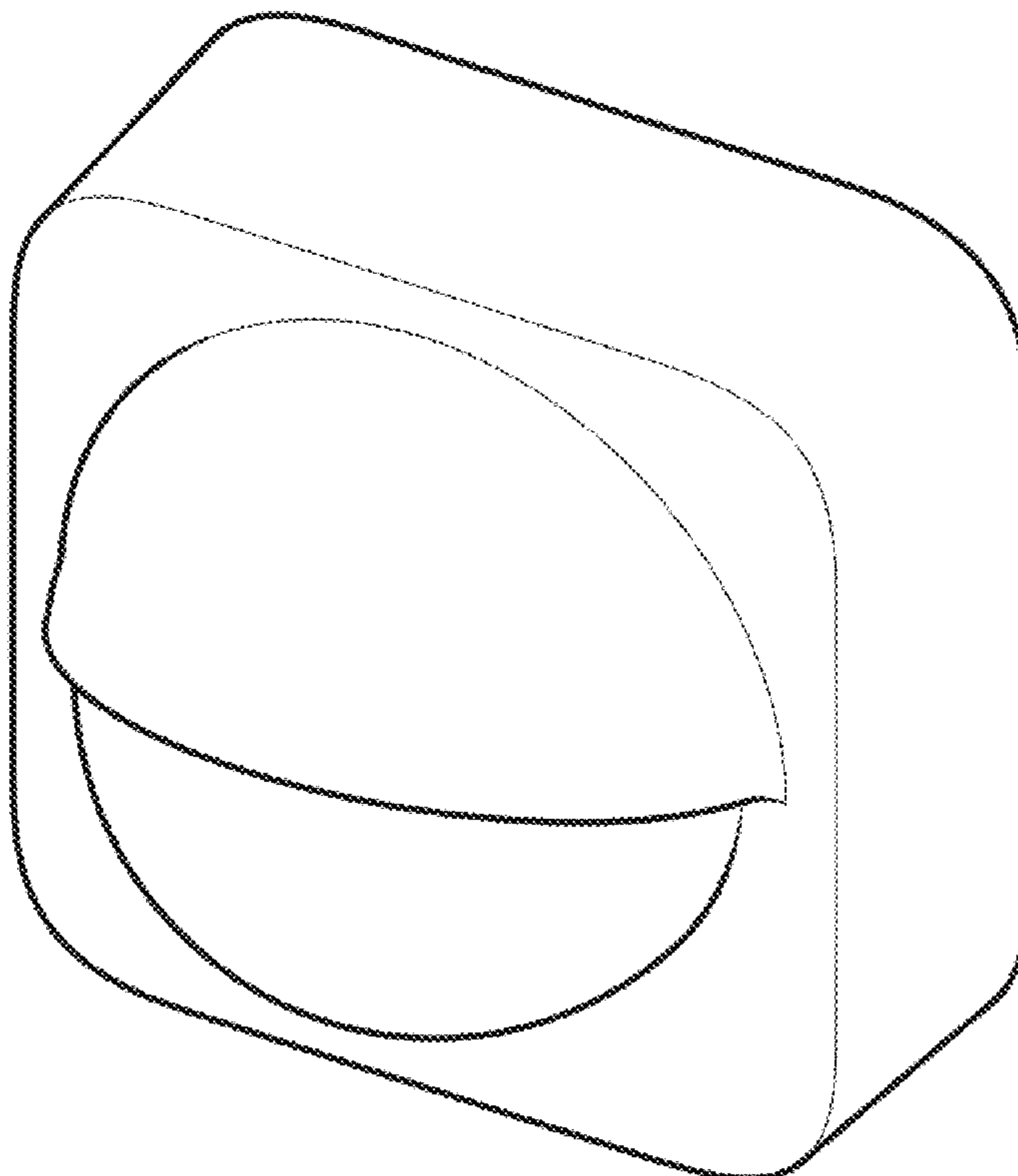
The ornamental design for a “lighting fixture”, as shown and described.

**DESCRIPTION**

FIG. 1 is a perspective view showing my design;  
FIG. 2 is a front elevational view thereof;  
FIG. 3 is a rear elevational view thereof;  
FIG. 4 is a right side elevational view thereof;  
FIG. 5 is a left side elevational view thereof;  
FIG. 6 is a top plan view thereof; and,  
FIG. 7 is a bottom view thereof.

The lighting fixture of the present invention may be coupled with one or more power cables or brackets which are depicted in broken lines and form no part of the design.

**1 Claim, 3 Drawing Sheets**



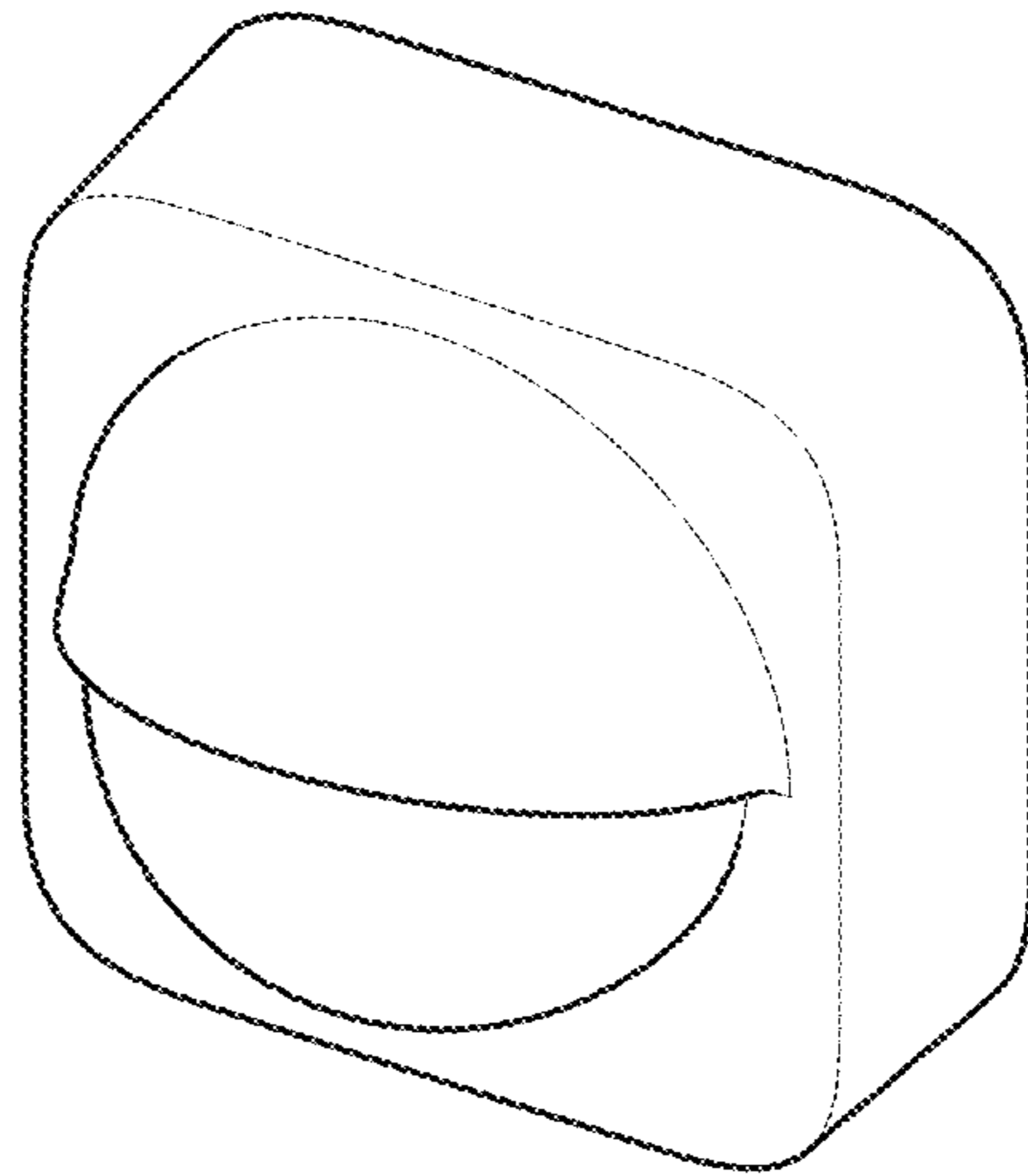


FIG.1

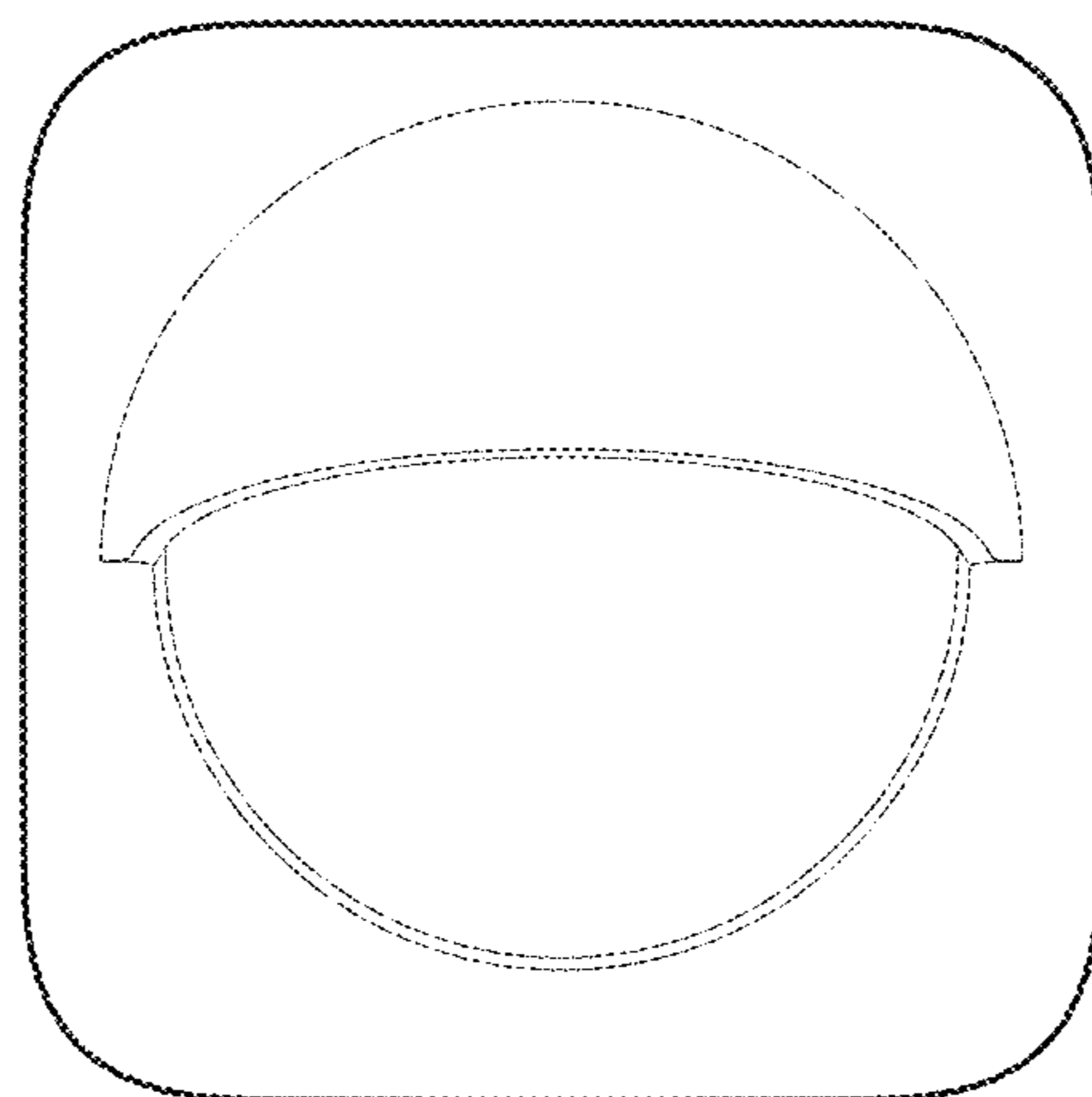


FIG. 2

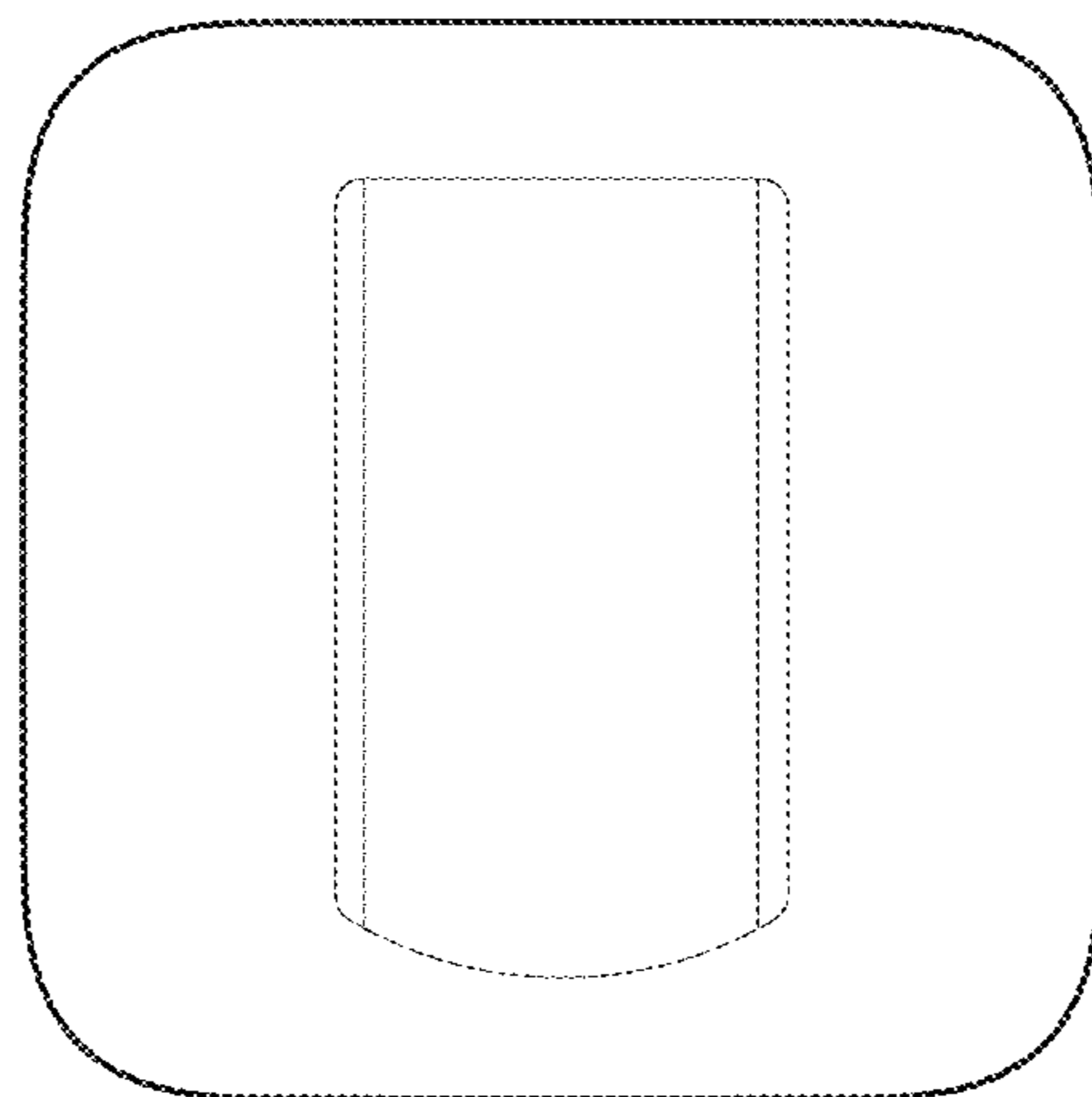


FIG. 3

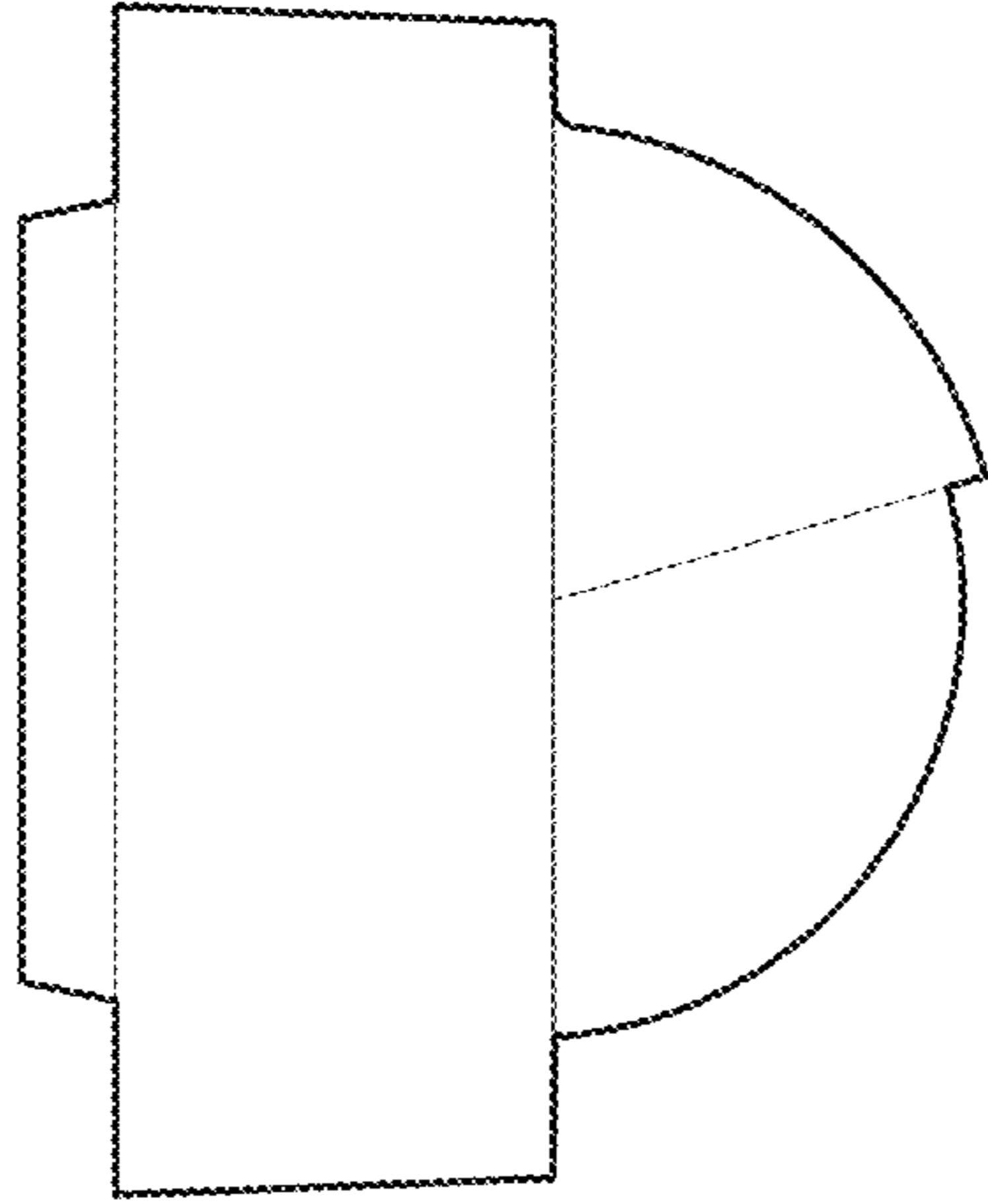


FIG. 4

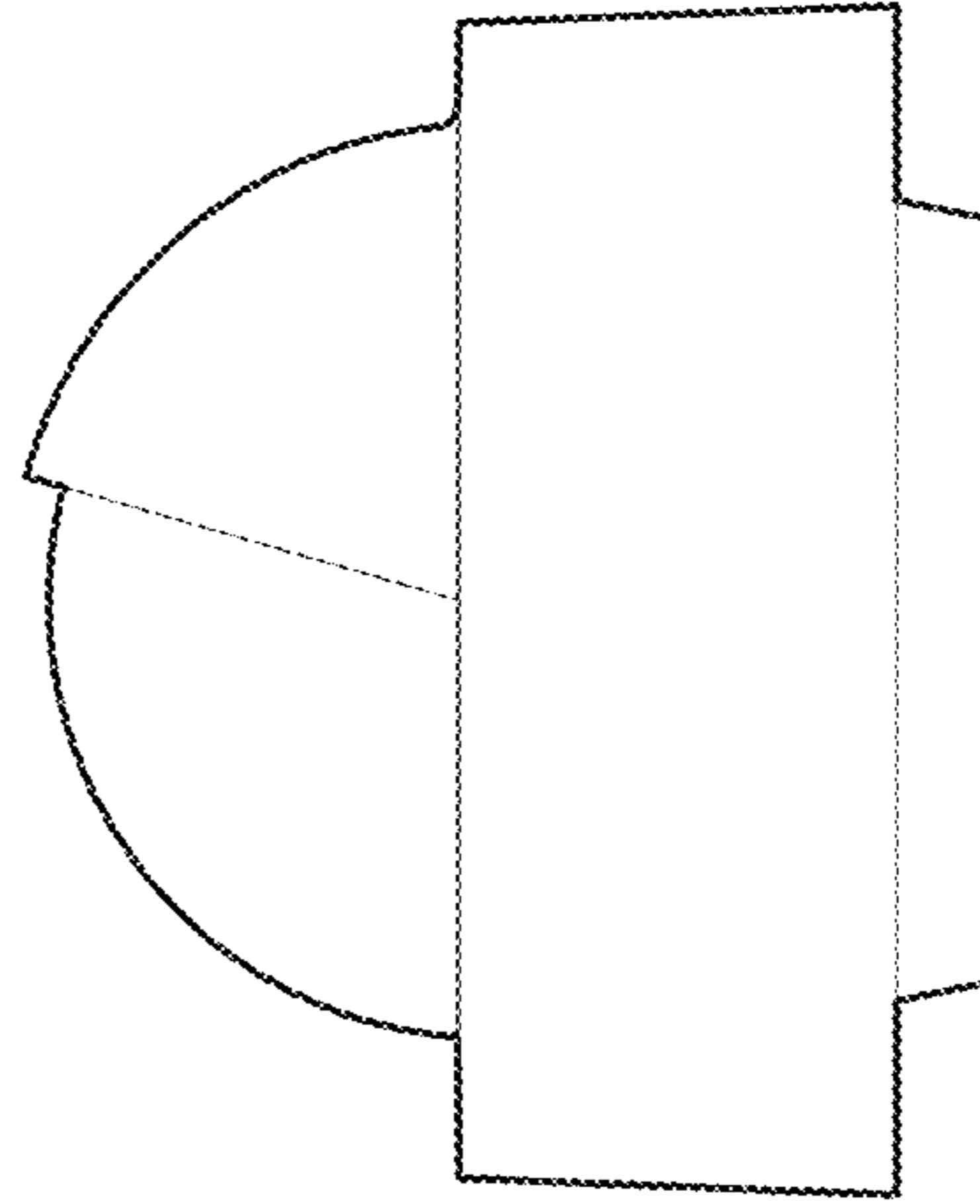


FIG. 5

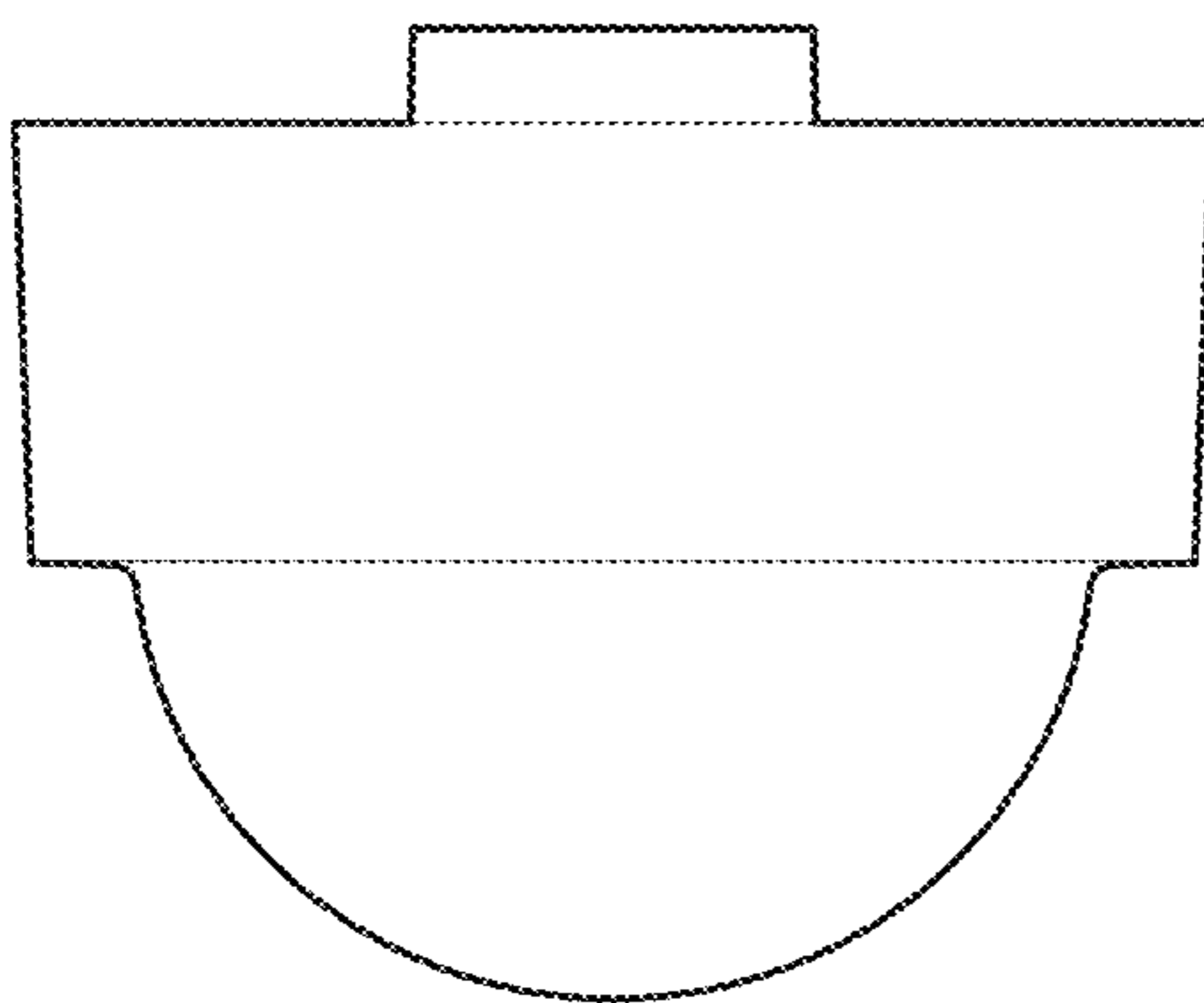


FIG. 6

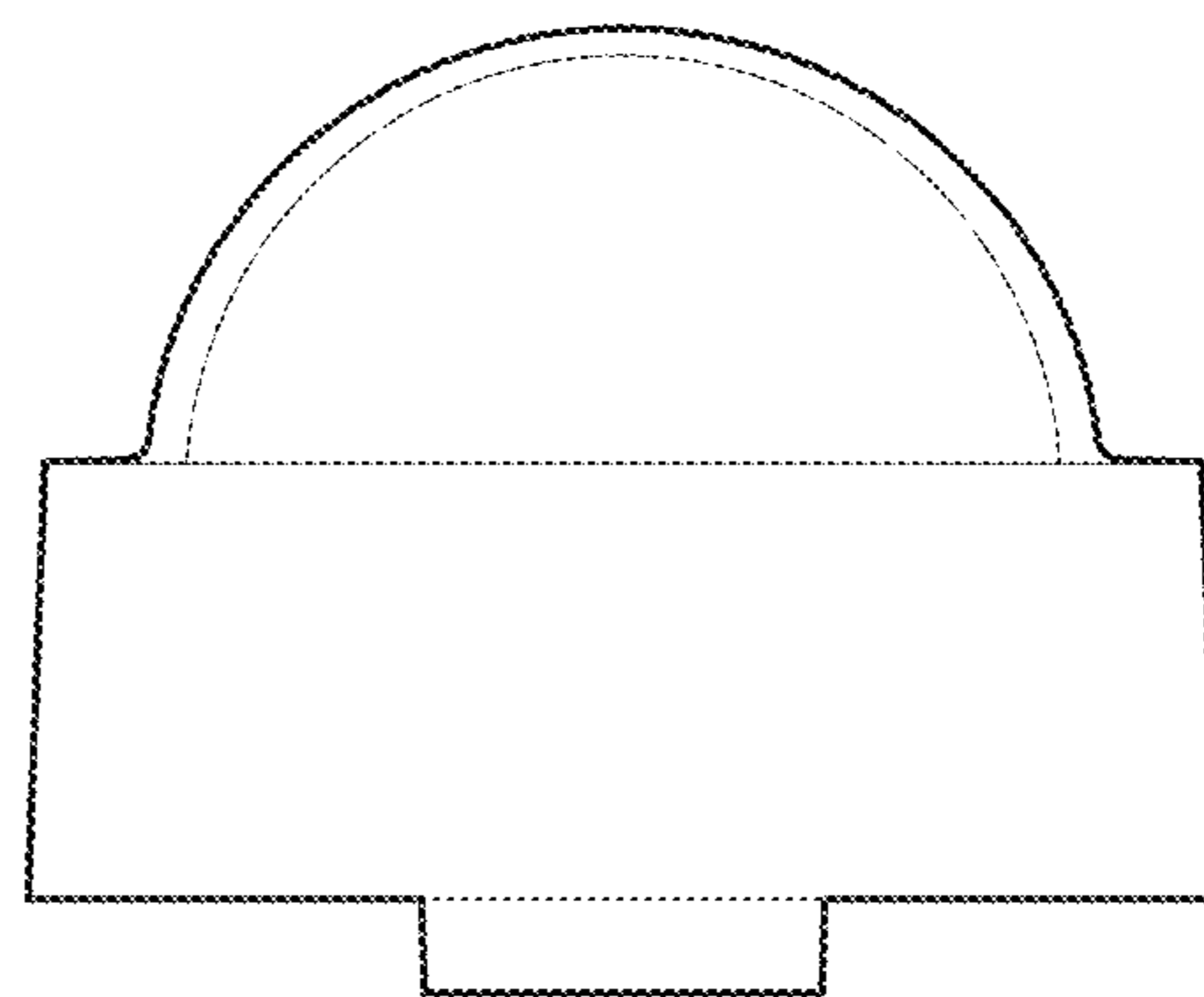


FIG. 7