



US00D930187S

(12) **United States Design Patent**  
**Voltti**

(10) **Patent No.:** **US D930,187 S**

(45) **Date of Patent:** **\*\* Sep. 7, 2021**

(54) **CASSETTE FOR DENTAL HAND INSTRUMENTS**

(71) Applicant: **LM-INSTRUMENTS OY**, Parainen (FI)

(72) Inventor: **Gaius Voltti**, Parainen (FI)

(\*\*) Term: **15 Years**

(21) Appl. No.: **35/505,627**

(22) Filed: **Apr. 4, 2018**

(80) **Hague Agreement Data**

Int. Filing Date: **Apr. 4, 2018**

Int. Reg. No.: **DM/102579**

Int. Reg. Date: **Apr. 4, 2018**

Int. Reg. Pub. Date: **Sep. 14, 2018**

(51) **LOC (13) Cl.** ..... **24-02**

(52) **U.S. Cl.**  
USPC ..... **D24/229**

(58) **Field of Classification Search**  
USPC ..... D24/216, 223, 224, 225, 226, 227, 228,  
D24/229, 230; D7/631, 632, 601, 701,  
D7/707, 708, 352, 362, 409, 667;  
D3/201; D23/397; D25/156  
CPC ..... A47K 1/09; A46B 17/00; A46B 17/02;  
A46B 2200/1066; A47F 7/0028; A47G  
29/08; A61B 2017/00526  
See application file for complete search history.

(56) **References Cited**

**U.S. PATENT DOCUMENTS**

D343,687 S \* 1/1994 Houghton ..... D24/227  
D416,997 S \* 11/1999 Prouty ..... D23/397  
D448,087 S \* 9/2001 Regan ..... D24/225  
D451,202 S \* 11/2001 Ward ..... D24/229

D561,327 S \* 2/2008 DeJonge ..... D23/397  
D572,358 S \* 7/2008 Natrass ..... D23/397  
D613,418 S \* 4/2010 Ryan ..... D24/229  
D631,557 S \* 1/2011 Tajima ..... D24/229  
D636,099 S \* 4/2011 Curtin ..... D25/156  
D701,972 S \* 4/2014 Ohmae ..... D24/229  
D791,965 S \* 7/2017 Ochranek ..... D24/229  
D810,518 S \* 2/2018 Miller ..... D7/667  
D812,425 S \* 3/2018 Reischmann ..... D7/409  
D813,601 S \* 3/2018 Hollinger ..... D7/409  
D815,491 S \* 4/2018 Hollinger ..... D7/409  
D829,483 S \* 10/2018 Lah ..... D7/340  
D836,140 S \* 12/2018 Jonas ..... D15/89  
D838,380 S \* 1/2019 Self ..... D24/224  
D846,601 S \* 4/2019 Froehlich ..... D15/89  
2005/0271468 A1 \* 12/2005 Messerschmidt ..... E03F 5/06  
404/4  
2015/0129522 A1 \* 5/2015 Werden ..... A46B 17/02  
211/65

\* cited by examiner

*Primary Examiner* — Samantha Q Lawrence

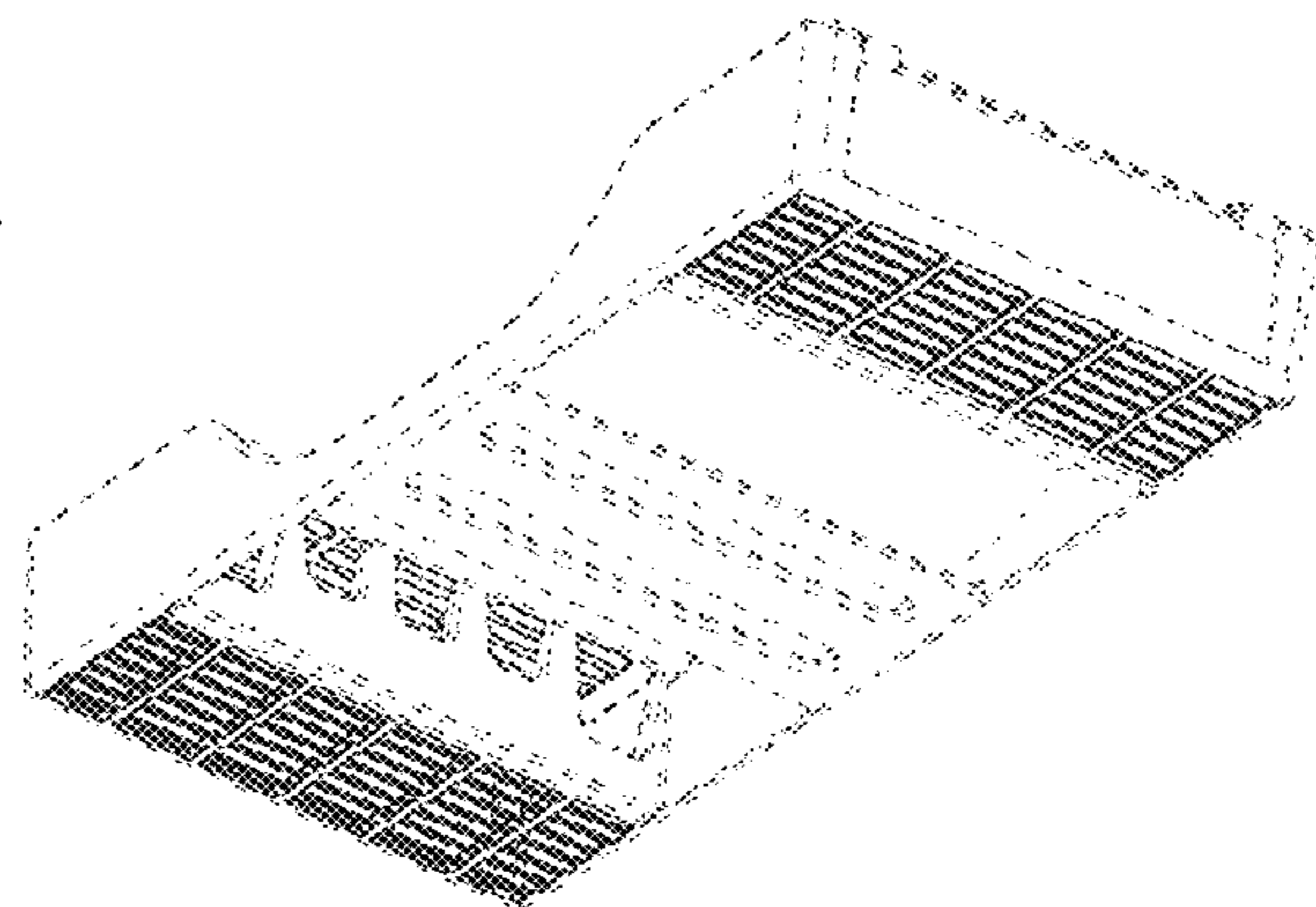
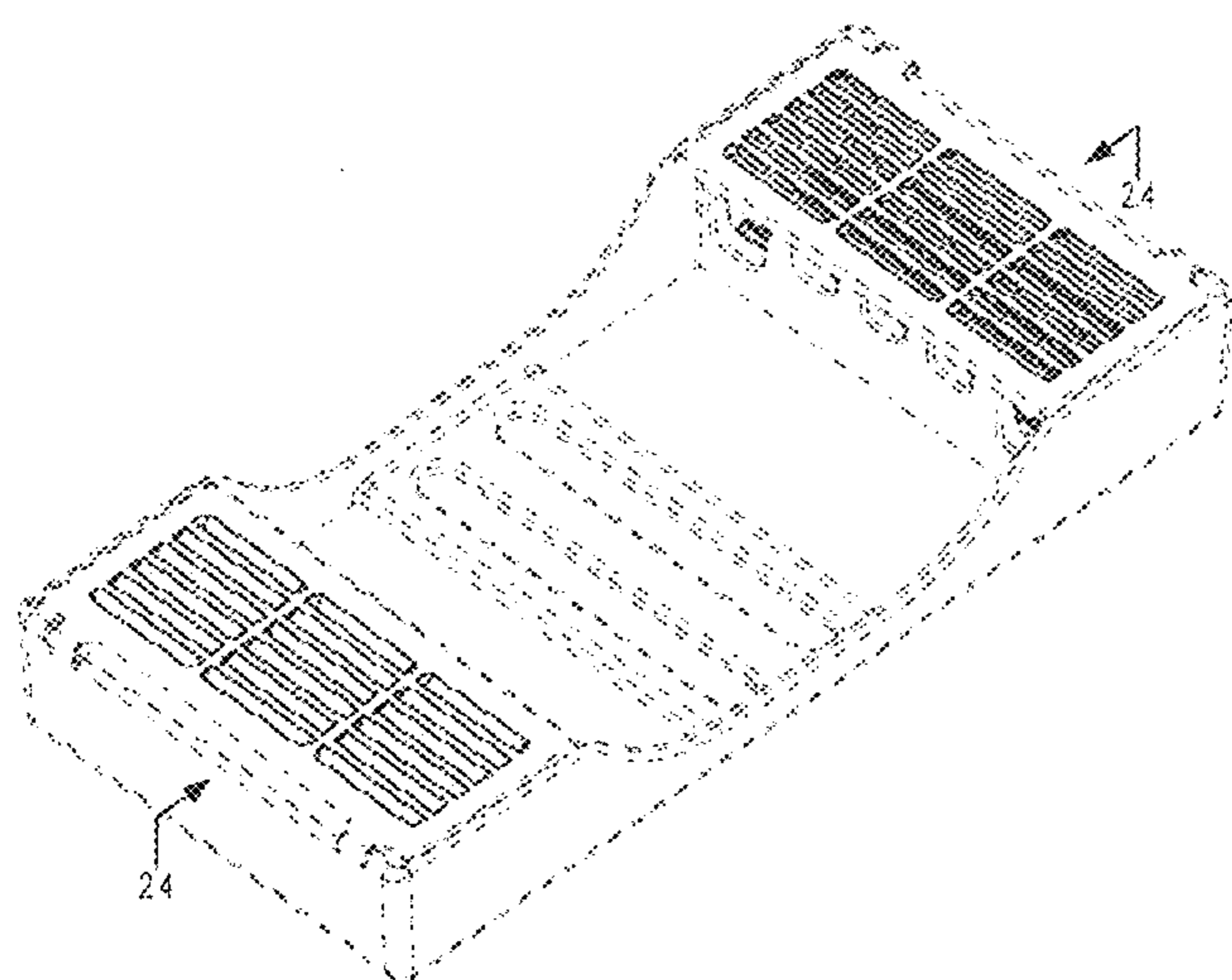
(57) **CLAIM**

The ornamental design for an cassette for dental hand instruments, as shown and described.

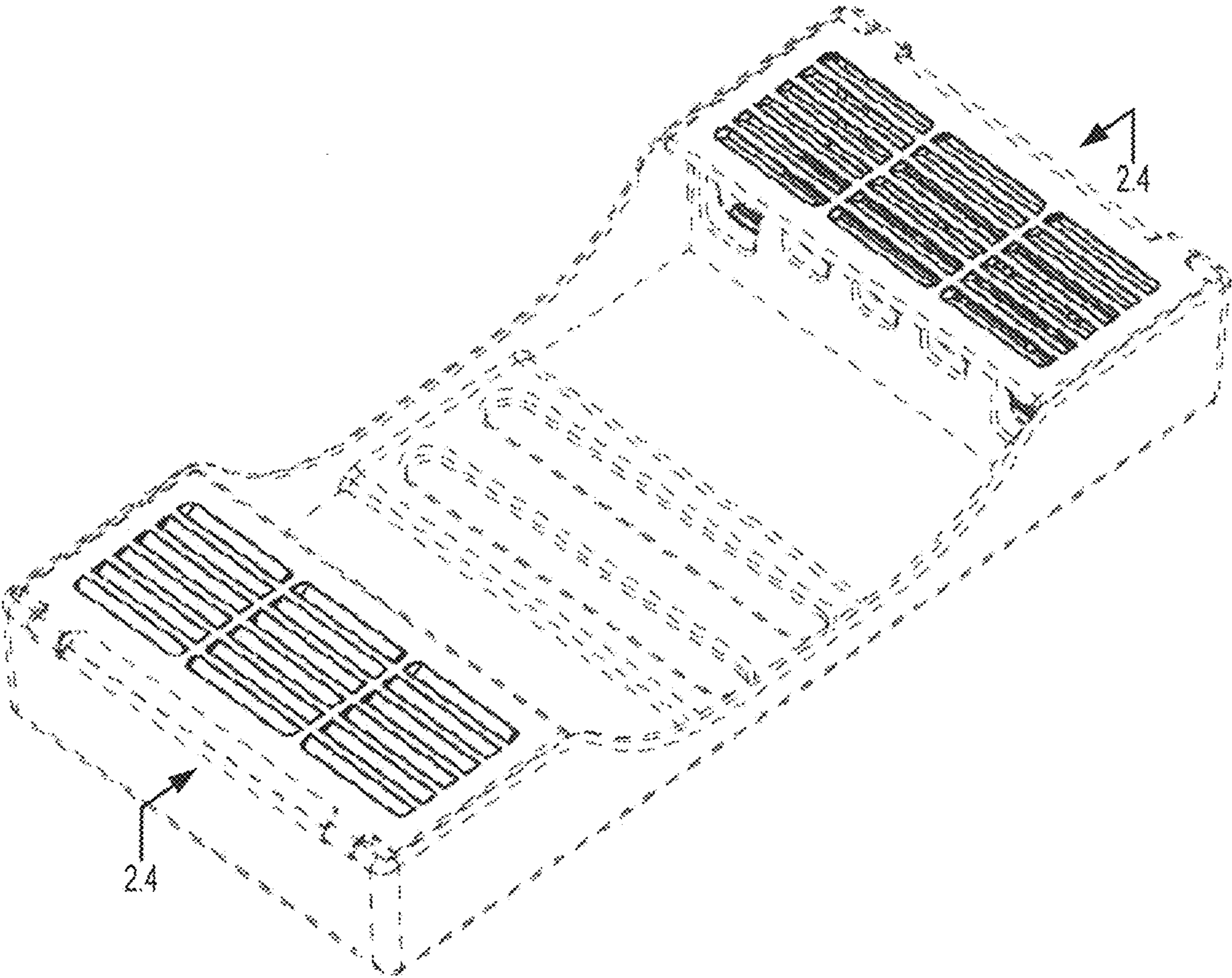
**DESCRIPTION**

Figure 2.1: is a top perspective view of a cassette for hand instruments in a closed position;  
Figure 2.2: is a bottom perspective view thereof;  
Figure 2.3: is a top perspective view of the cassette for dental hand instruments in an open position;  
Figure 2.4: is a cross-sectional view thereof taken along line 2.4 shown in Figure 2.1; and  
Figure 2.5: is a bottom perspective view thereof.  
The broken lines shown in Figures 2.1-2.5 illustrate portions of the cassette for dental hand instruments that form no part of the claimed design.

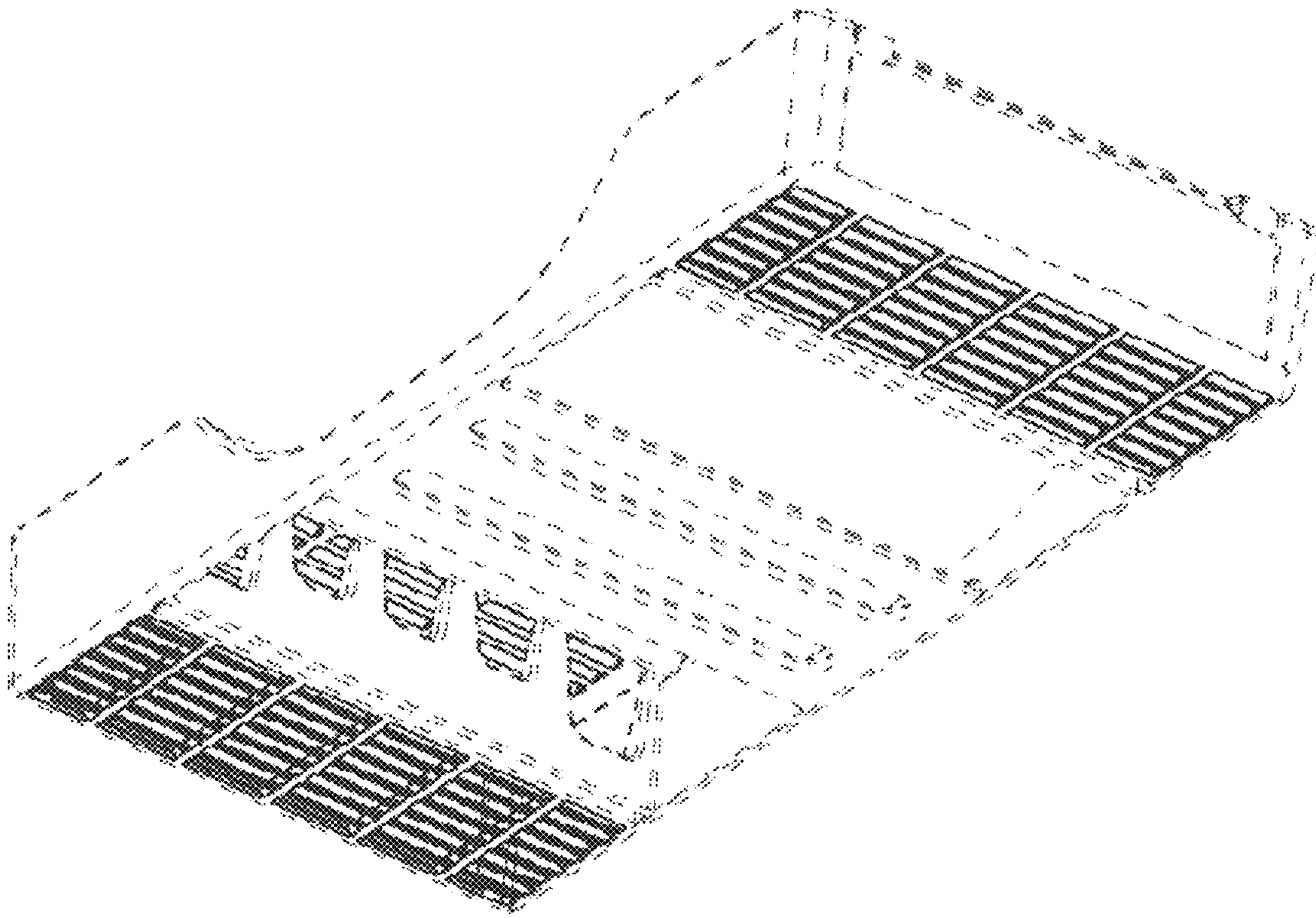
**1 Claim, 5 Drawing Sheets**



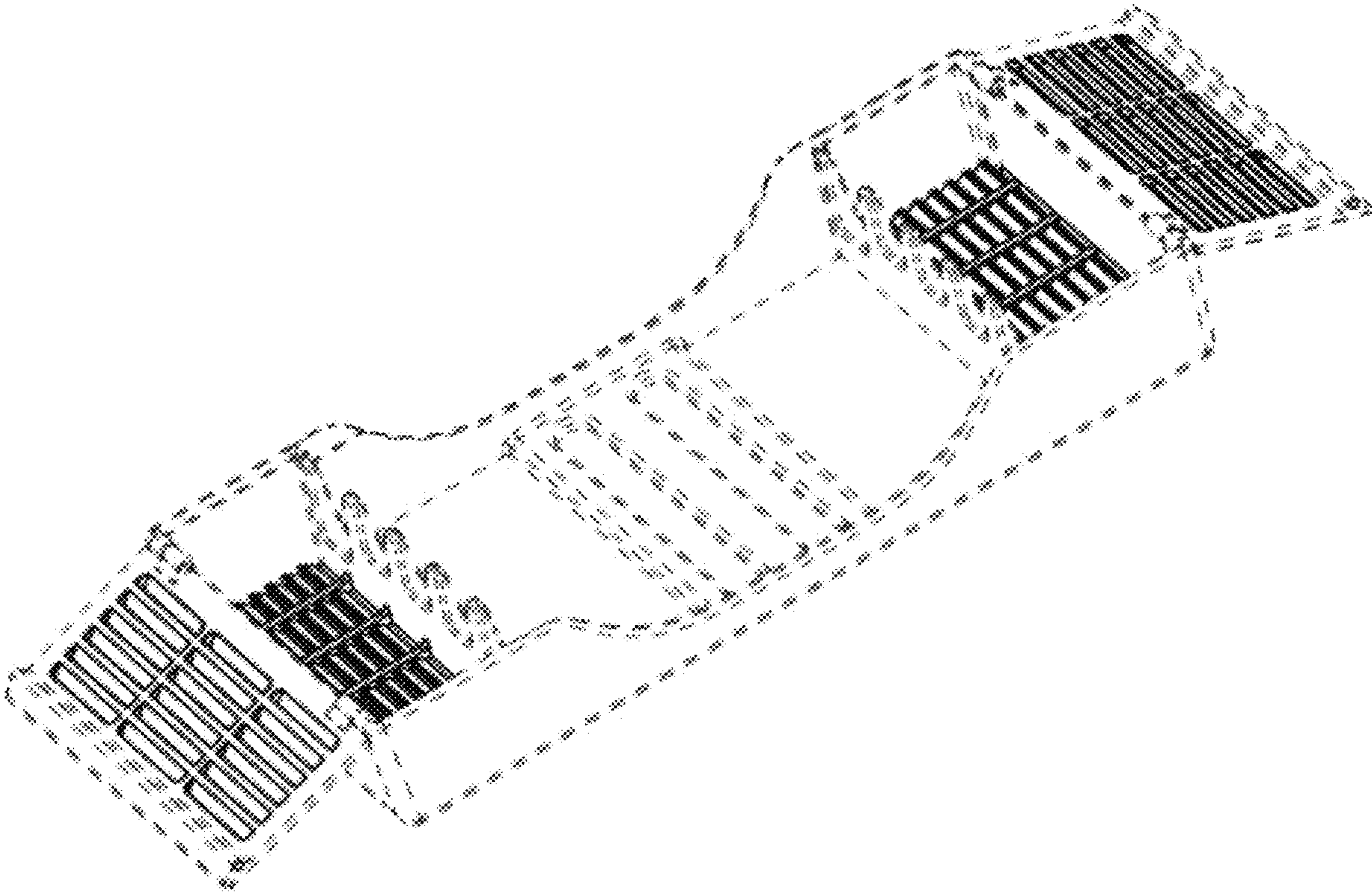
2.1



2.2



2.3



2.4



2.5

