



US00D930186S

(12) **United States Design Patent** (10) **Patent No.:** **US D930,186 S**  
**Kim** (45) **Date of Patent:** **\*\* Sep. 7, 2021**

(54) **STORAGE CONTAINER FOR CONTAINING 12 TUBES**

(71) Applicant: **Seong Nam Kim**, Gwacheon-si (KR)

(72) Inventor: **Seong Nam Kim**, Gwacheon-si (KR)

(\*\*) Term: **15 Years**

(21) Appl. No.: **29/713,649**

(22) Filed: **Nov. 18, 2019**

(51) **LOC (13) Cl.** ..... **24-02**

(52) **U.S. Cl.**  
USPC ..... **D24/229**; D3/203.1

(58) **Field of Classification Search**  
USPC ..... D3/203.1–203.3, 203.6, 205–206, 226, D3/228, 273–274, 276, 281–291, D3/293–304, 313, 901, 903, 905; D28/73, 76; D24/216, 217, 224, 226, D24/227, 229, 219, 230  
CPC ..... B01L 3/0585; B01L 9/06; B65D 1/00; B65D 1/34; B65D 1/36; B65D 85/00; A45D 44/18; A61B 50/33; A61B 50/34; A45C 3/00; A45C 3/004; A45C 5/00; A45C 5/04; A45C 5/14; A45C 5/005; A45C 7/0095; A45C 9/00; A45C 11/00; A45C 11/008; A45C 11/16; A45C 11/26; A45C 13/02; A45C 15/04; A45C 2003/008; A45C 2011/007; A45F 3/04; A45F 3/047; A45F 3/10; A45F 3/14; A45F 4/02; A45F 4/08; A45F 2200/05; A45F 2200/0525; B25H 3/00; B25H 3/02; B25H 3/003; B25H 3/006; B25H 3/023; B25H 3/028

See application file for complete search history.

(56) **References Cited**

**U.S. PATENT DOCUMENTS**

2,597,407 A \* 5/1952 Thompson ..... A61L 2/07  
422/303  
D242,545 S \* 11/1976 Perfect ..... D24/230

4,090,850 A \* 5/1978 Chen ..... B01L 3/5025  
422/408  
D264,810 S \* 6/1982 Voltmann ..... D24/226  
D271,239 S \* 11/1983 Lemieux ..... D24/230

(Continued)

**FOREIGN PATENT DOCUMENTS**

EM 003098656-0001 \* 5/2016

**OTHER PUBLICATIONS**

Specimen seal-up cryogenic storage box, unknown first available date, alibaba.com [online], [site visited Jan. 27, 2021]. Available at internet URL: [https://cnxinkang.en.alibaba.com/product/62327215445-811569706/Specimen\\_seal\\_up\\_cryogenic\\_storage\\_box.html](https://cnxinkang.en.alibaba.com/product/62327215445-811569706/Specimen_seal_up_cryogenic_storage_box.html) (Year: 2021).\*

(Continued)

*Primary Examiner* — Jeffrey Dasch  
*Assistant Examiner* — Caitlin A Laverty  
(74) *Attorney, Agent, or Firm* — Stein IP, LLC

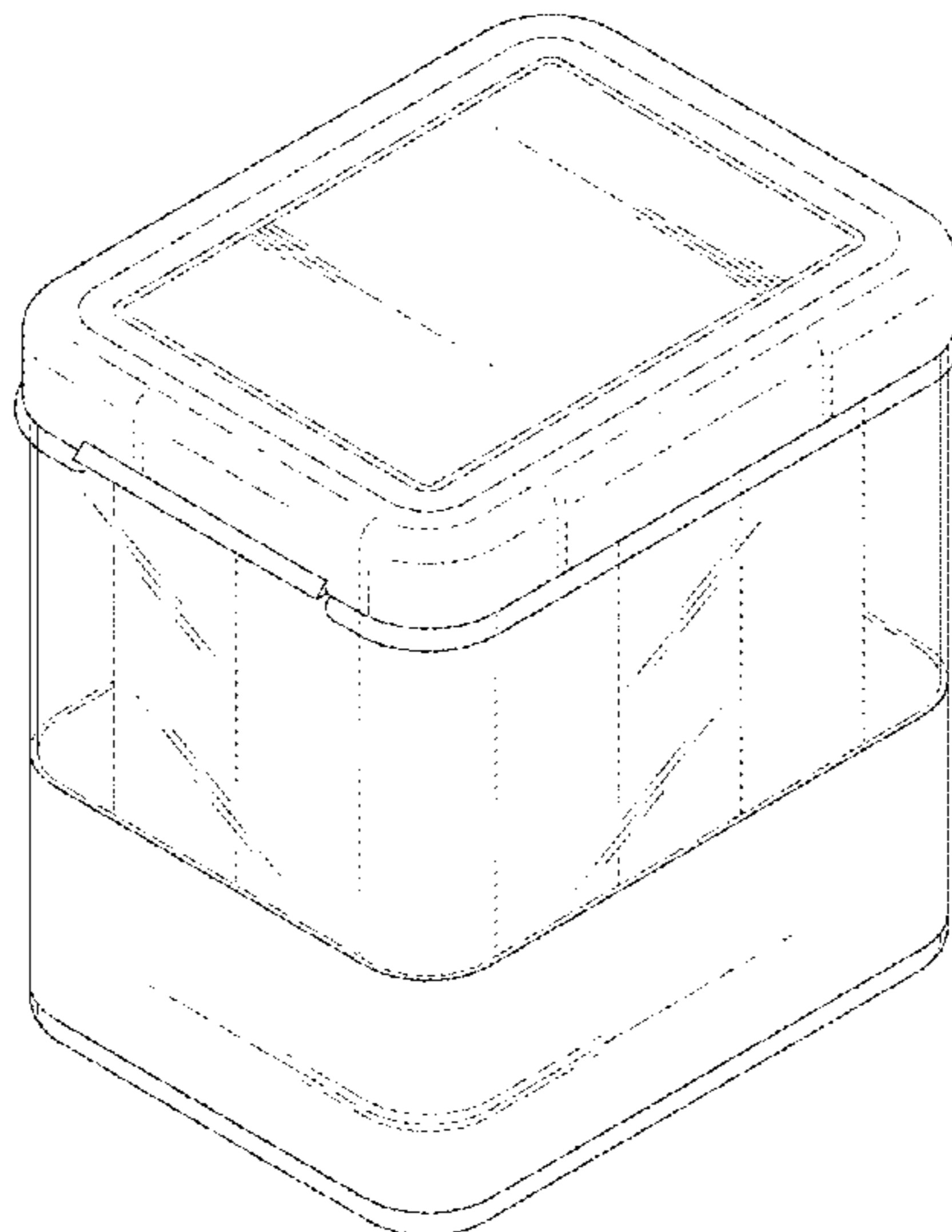
(57) **CLAIM**

The ornamental design for a storage container for containing 12 tubes, as shown and described.

**DESCRIPTION**

FIG. 1 is a front perspective view of a storage container for containing 12 tubes showing the claimed design;  
FIG. 2 is a front view thereof;  
FIG. 3 is a rear view thereof;  
FIG. 4 is a left side view thereof;  
FIG. 5 is a right side view thereof;  
FIG. 6 is a top view thereof; and,  
FIG. 7 is a bottom view thereof.  
The broken line showing of test tubes containing medical staining composition, and the portions on the bottom of the article, is included for the purpose of illustrating environmental structure and forms no part of the claimed design.

**1 Claim, 7 Drawing Sheets**



(56)

References Cited

U.S. PATENT DOCUMENTS

D276,267 S \* 11/1984 Boris ..... D10/81  
 D276,271 S \* 11/1984 Boris ..... D10/81  
 4,550,828 A \* 11/1985 Baldwin ..... B25H 3/02  
 206/349  
 4,789,601 A \* 12/1988 Banes ..... A61L 27/18  
 428/116  
 D408,632 S \* 4/1999 Najmi ..... D3/273  
 D414,271 S \* 9/1999 Mendoza ..... D24/224  
 D430,396 S \* 9/2000 Biesecker ..... D3/215  
 D442,779 S \* 5/2001 Koefeld ..... D3/273  
 D457,718 S \* 5/2002 McDonald ..... D3/205  
 6,663,836 B1 \* 12/2003 Kalmakis ..... B01L 9/06  
 235/435  
 D529,184 S \* 9/2006 Bargh ..... D24/229  
 D533,311 S \* 12/2006 Ditrichstein ..... D28/76  
 8,545,914 B1 \* 10/2013 Mastroianni ..... B65D 1/36  
 426/115  
 D717,460 S \* 11/2014 Manian ..... D24/216  
 D787,184 S \* 5/2017 Stuart ..... D3/313

D791,964 S \* 7/2017 Lui ..... D24/227  
 D834,723 S \* 11/2018 Lianides ..... D24/230  
 D882,818 S \* 4/2020 Leimkuehler ..... D24/227  
 D901,712 S \* 11/2020 Nicoll ..... D24/217  
 D901,713 S \* 11/2020 Nicoll ..... D24/217  
 D923,816 S \* 6/2021 Motadel ..... D24/227  
 D925,059 S \* 7/2021 Yoo ..... D24/217  
 2020/0132573 A1 \* 4/2020 Badiei ..... B01F 9/10

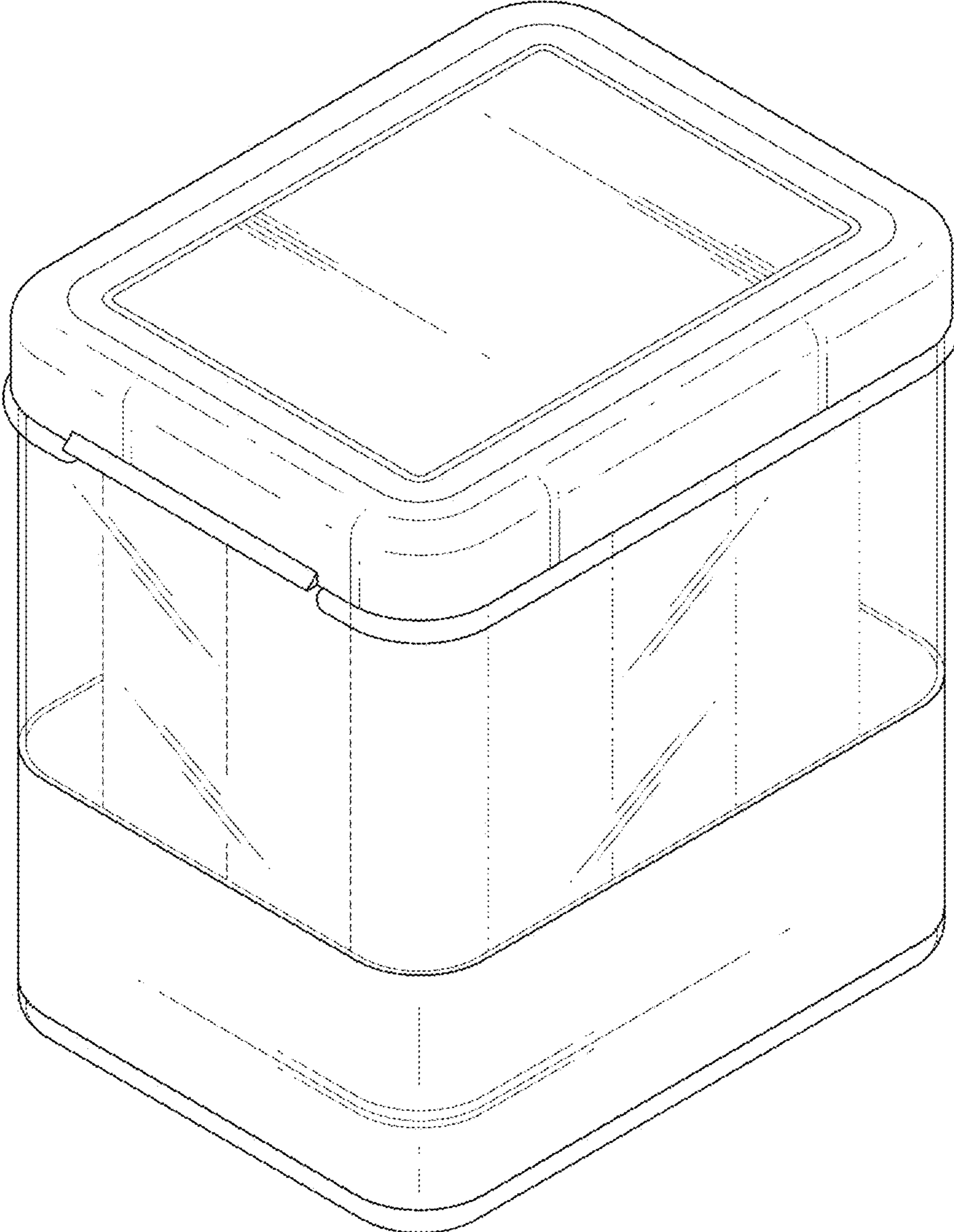
OTHER PUBLICATIONS

Test tube storage rack 414004 Series, unknown first available date, directindustry.com [online], [site visited Jan. 27, 2021], Available at internet URL: <https://www.directindustry.com/prod/vwr/product-159960-2223835.html> (Year: 2021).\*

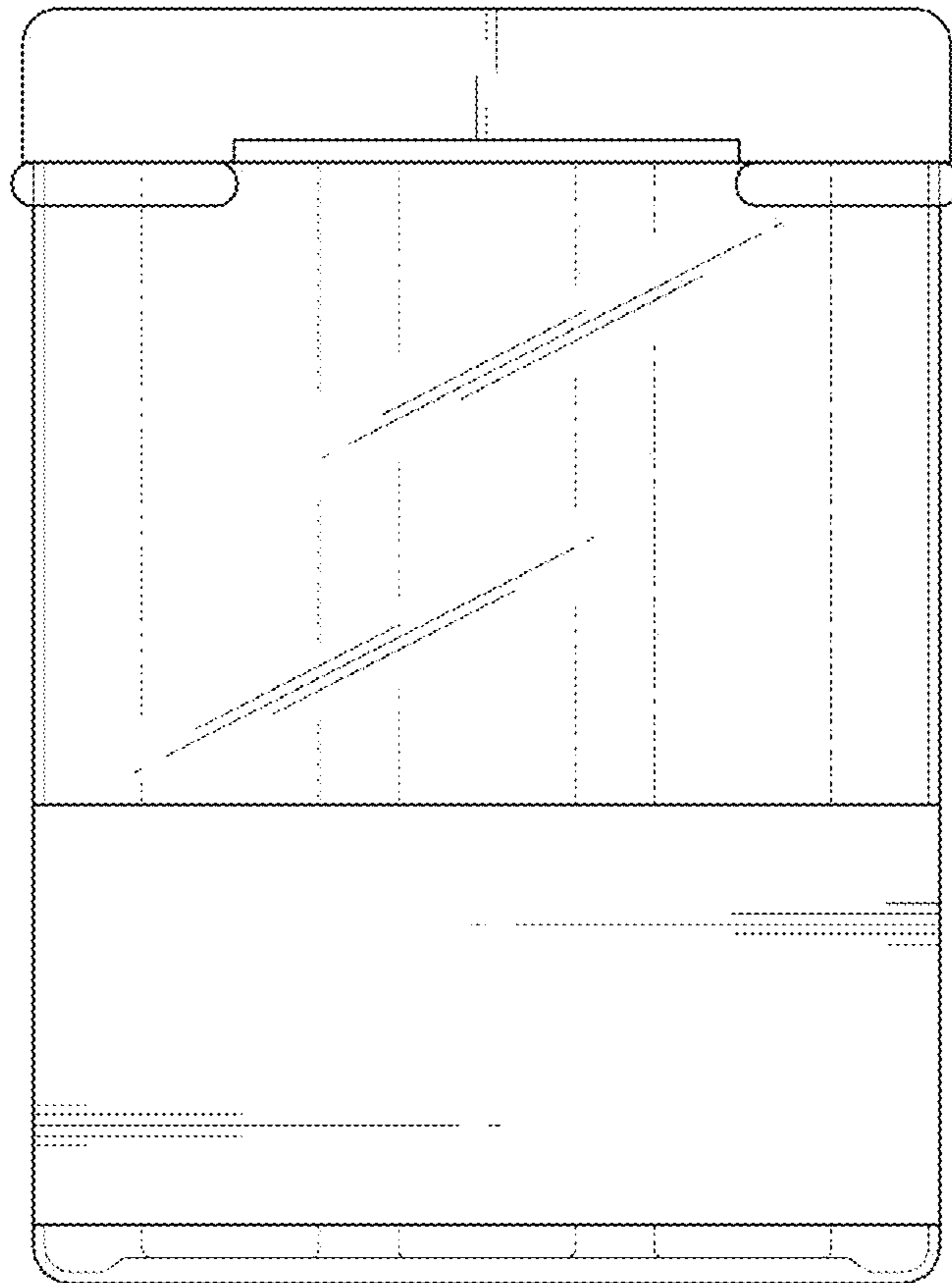
Plastic Storage Boxes for 15 and 50mL Tubes, unknown first available date, thomassci.com [online], [site visited Jan. 27, 2021], Available at internet URL: [https://www.thomassci.com/Laboratory-Supplies/Boxes/\\_/Plastic-Storage-Boxes-for-15-and-50mL-Tubes?q=Tube%20Storage%20Box](https://www.thomassci.com/Laboratory-Supplies/Boxes/_/Plastic-Storage-Boxes-for-15-and-50mL-Tubes?q=Tube%20Storage%20Box) (Year: 2021).\*

\* cited by examiner

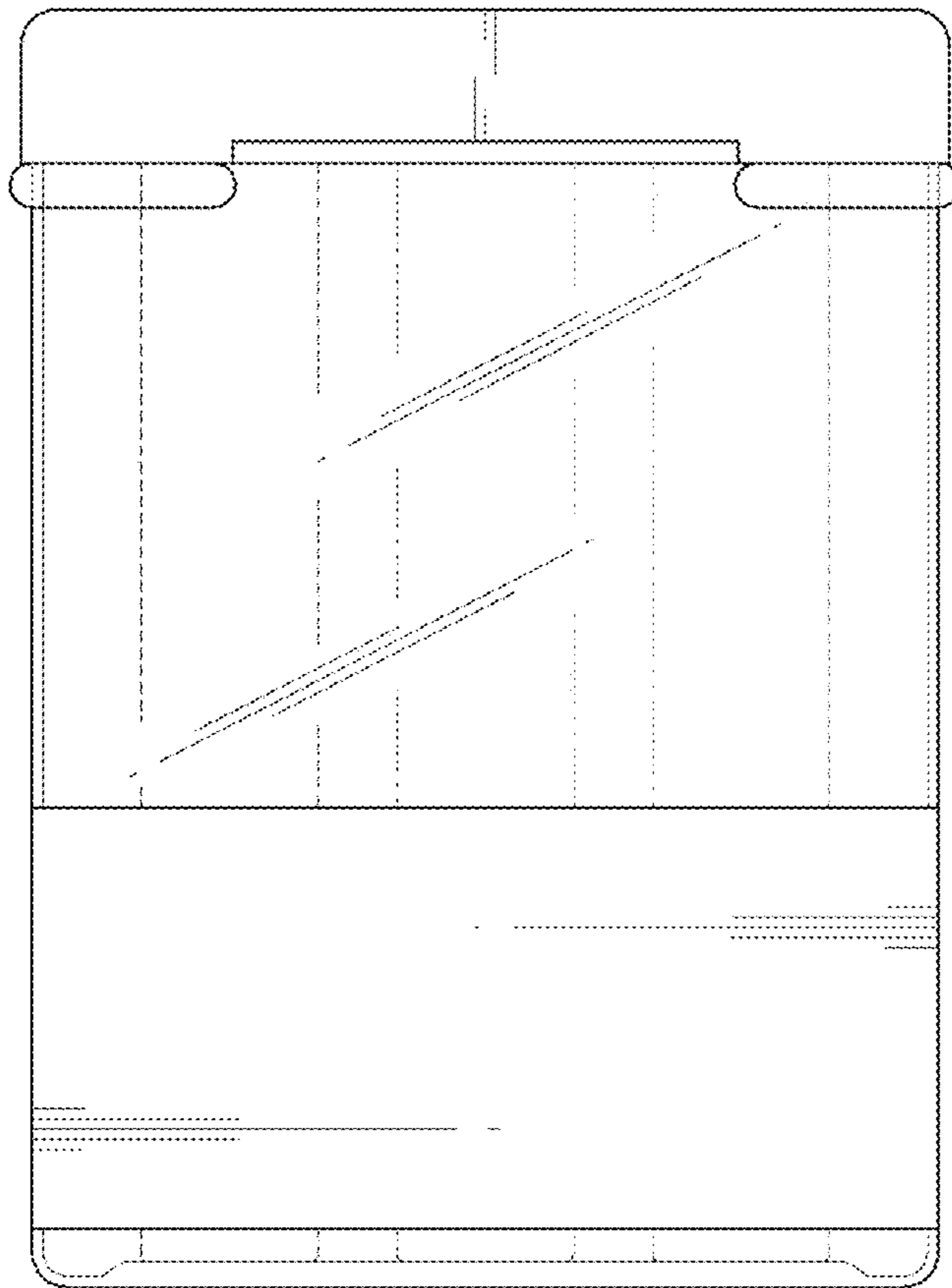
**FIG. 1**



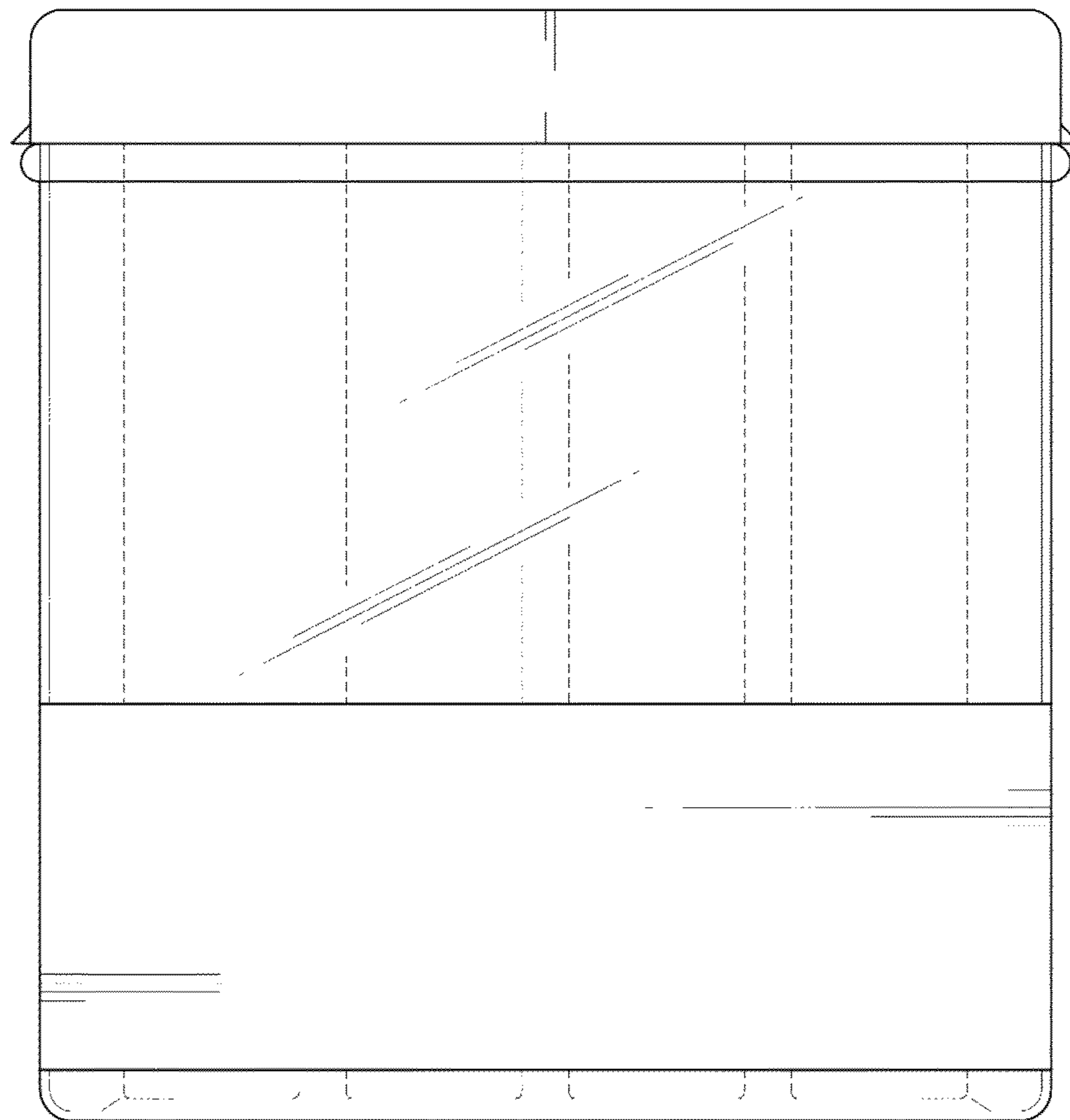
**FIG. 2**



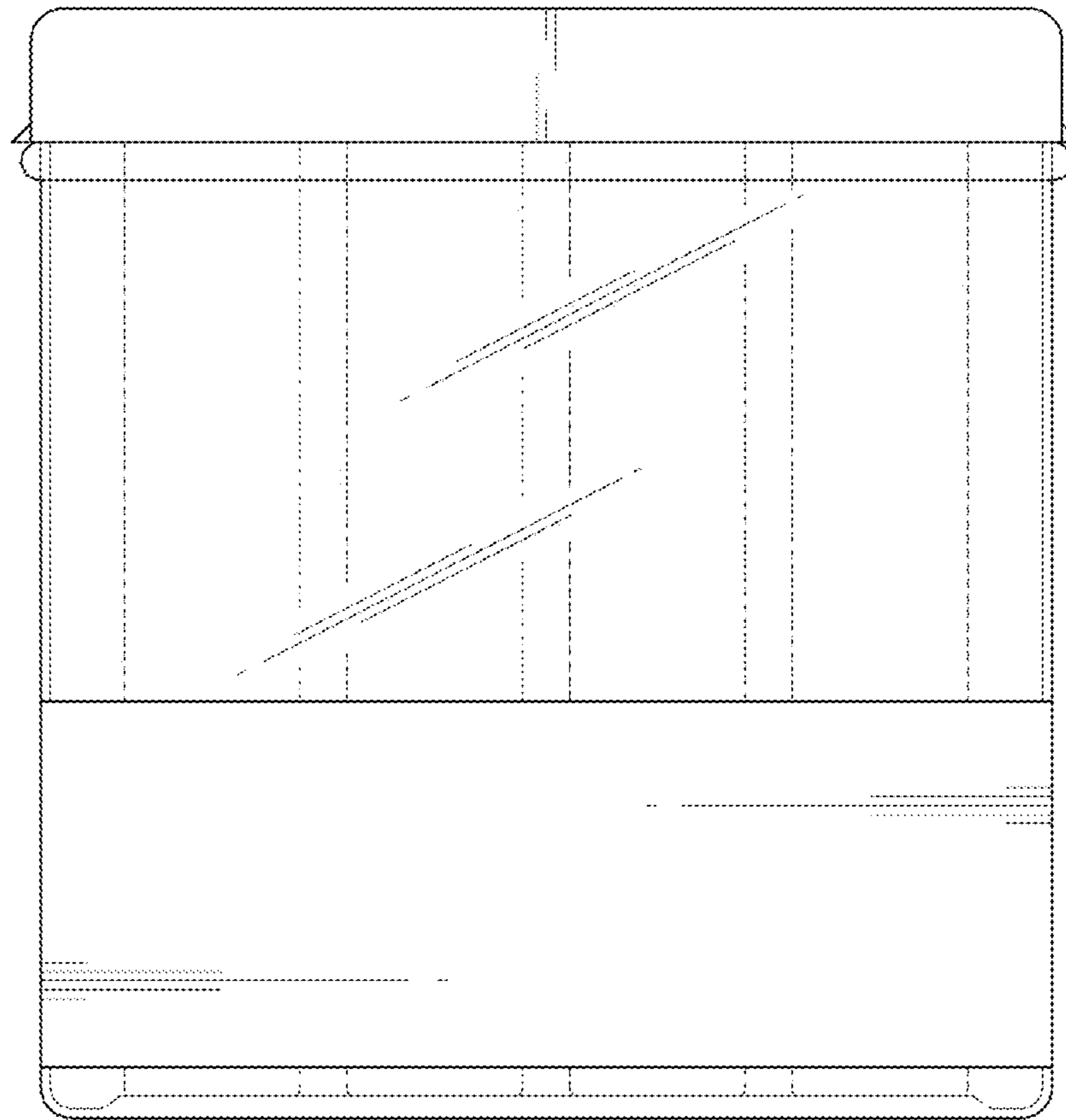
**FIG. 3**



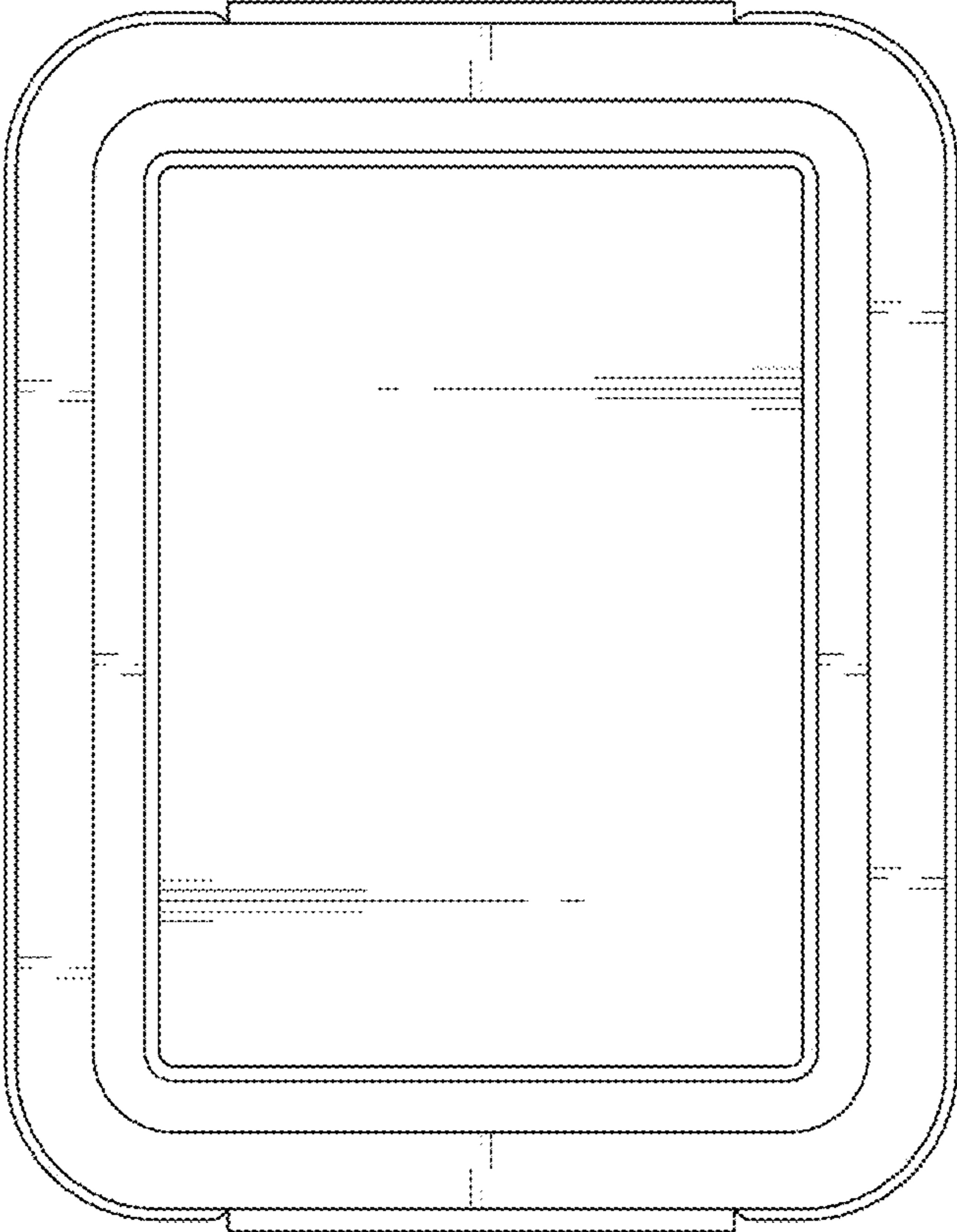
**FIG. 4**



**FIG. 5**



**FIG. 6**





**FIG. 7**

