



US00D930183S

(12) **United States Design Patent**
Jung et al.

(10) **Patent No.:** **US D930,183 S**

(45) **Date of Patent:** **** Sep. 7, 2021**

(54) **COMBINED DENTAL STERILIZER AND RECHARGING HOLDER**

(71) Applicant: **LG ELECTRONICS INC.**, Seoul (KR)

(72) Inventors: **Dana Jung**, Seoul (KR); **Byungsoo Kim**, Seoul (KR); **Yihyun Moon**, Seoul (KR)

(73) Assignee: **LG ELECTRONICS INC.**, Seoul (KR)

(**) Term: **15 Years**

(21) Appl. No.: **35/509,261**

(22) Filed: **Aug. 2, 2019**

(80) **Hague Agreement Data**

Int. Filing Date: **Aug. 2, 2019**

Int. Reg. No.: **DM/207542**

Int. Reg. Date: **Aug. 2, 2019**

Int. Reg. Pub. Date: **May 1, 2020**

(30) **Foreign Application Priority Data**

Feb. 18, 2019 (KR) 30-2019-0007172

(51) **LOC (13) Cl.** **24-99**

(52) **U.S. Cl.**
USPC **D24/217**; D13/108

(58) **Field of Classification Search**
USPC D9/442, 549, 695, 711, 767; D13/103, D13/107, 108, 110, 184, 199; D14/432, D14/434; D24/217

CPC A61L 2/00; A61L 2/0005; A61L 2/0029; A61L 2/025; A61L 2/08; A61L 2/24; A61L 2/26; A61G 15/16

See application file for complete search history.

(56) **References Cited**

U.S. PATENT DOCUMENTS

D288,780 S * 3/1987 Miller D9/529
D462,512 S * 9/2002 Wolf D3/205

D547,264 S * 7/2007 Kondo D13/103
D558,060 S * 12/2007 Sir D9/687
D563,313 S * 3/2008 Ueda D13/107
D586,740 S * 2/2009 Song D13/103
D650,738 S * 12/2011 Leung D13/107
D678,191 S * 3/2013 Fitch D13/108

(Continued)

OTHER PUBLICATIONS

Portable Cell Phone UV Light Sanitizer Box, posted at Amazon.com, posted on Oct. 19, 2020, site visited Apr. 22, 2021. online, available from internet: <https://www.amazon.com/Portable-Sanitizer-Wireless-Charging-Sterilizer/dp/B08LCW5WYL> (Year: 2020).*

(Continued)

Primary Examiner — Mary Ann Calabrese

Assistant Examiner — Catherine Ho

(74) *Attorney, Agent, or Firm* — Birch, Stewart, Kolasch & Birch, LLP

(57) **CLAIM**

The ornamental design for a combined dental sterilizer and recharging holder, as shown and described.

DESCRIPTION

1. Combined dental sterilizer and recharging holder

1.1 : Perspective

1.2 : Front

1.3 : Back

1.4 : Left

1.5 : Right

1.6 : Top

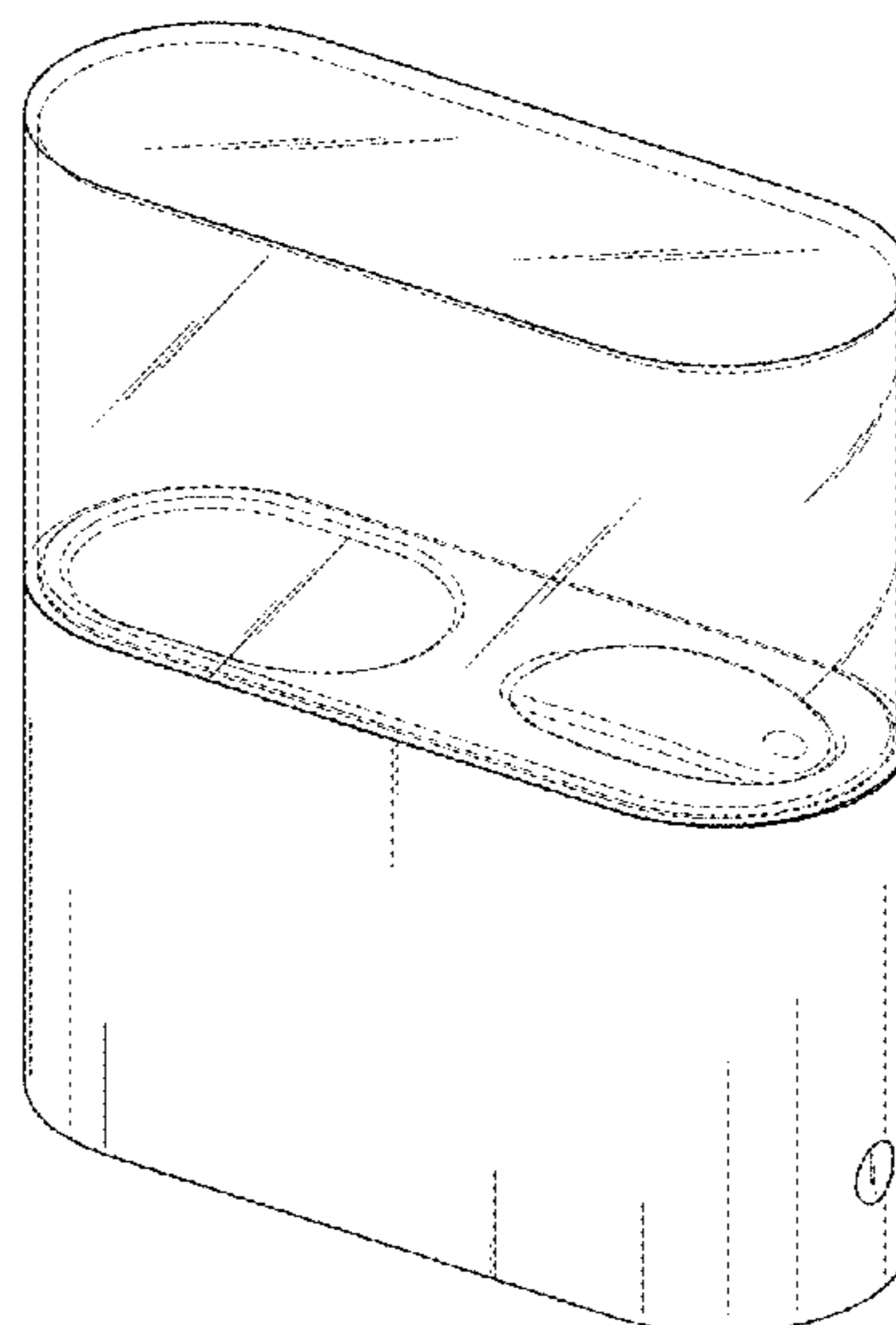
1.7 : Bottom

1.8 : Exploded view shown in an environment of use

1.9 : Front view shown in an environment of use

Broken lines illustrate environmental condition only and form no part of the claimed design.

1 Claim, 9 Drawing Sheets



(56)

References Cited

U.S. PATENT DOCUMENTS

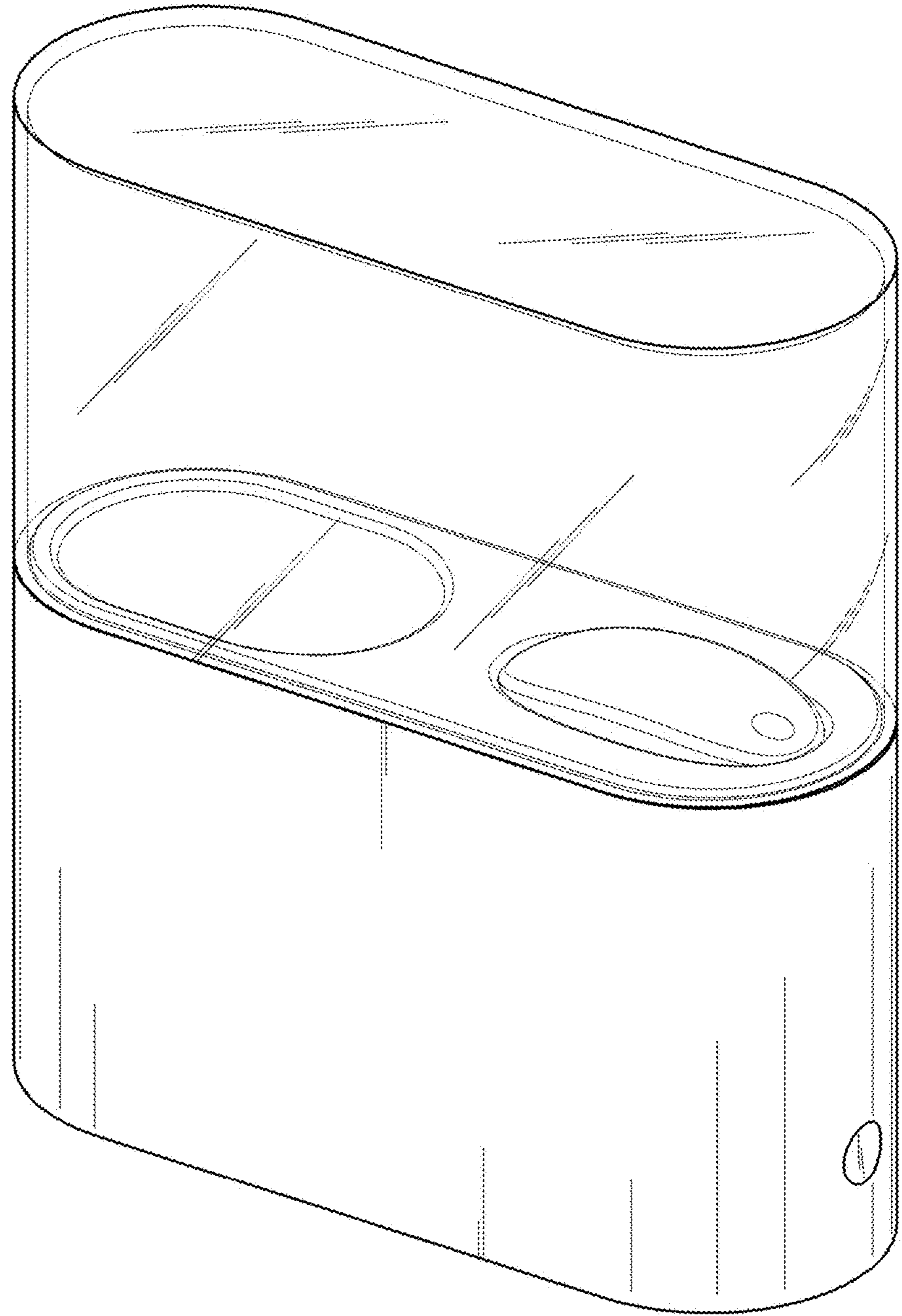
D679,825	S *	4/2013	Elkerbout	D24/217
D729,067	S *	5/2015	Behar	D9/529
D817,269	S *	5/2018	Sukphist	D13/108
D821,972	S *	7/2018	Wei	D13/108
D841,580	S *	2/2019	Bao	D13/108
D853,357	S *	7/2019	Li	D14/217
D870,666	S *	12/2019	Madsen	D13/108
D886,453	S *	6/2020	Wright	D3/294
D886,454	S *	6/2020	Williamson	D3/294
D889,395	S *	7/2020	Birkholz	D13/103
D890,091	S *	7/2020	Cramer	D13/108
D892,045	S *	8/2020	Zhang	D13/108
D898,664	S *	10/2020	Bhutani	D13/108
D899,358	S *	10/2020	Reilly	D13/108
D901,377	S *	11/2020	Zhou	D13/108
D903,588	S *	12/2020	Shoemake	D13/108
D904,977	S *	12/2020	Deng	D13/108
D911,181	S *	2/2021	Lee	D9/529
D911,944	S *	3/2021	Gao	D13/108
D911,950	S *	3/2021	Zhang	D13/108
D912,622	S *	3/2021	Zhou	D13/108
D914,591	S *	3/2021	Ganapathy	D13/107
D914,596	S *	3/2021	Akana	D13/110
2003/0129487	A1 *	7/2003	Inoue	H01M 50/116 429/176
2014/0127077	A1 *	5/2014	Rock	A61L 2/0088 422/28

OTHER PUBLICATIONS

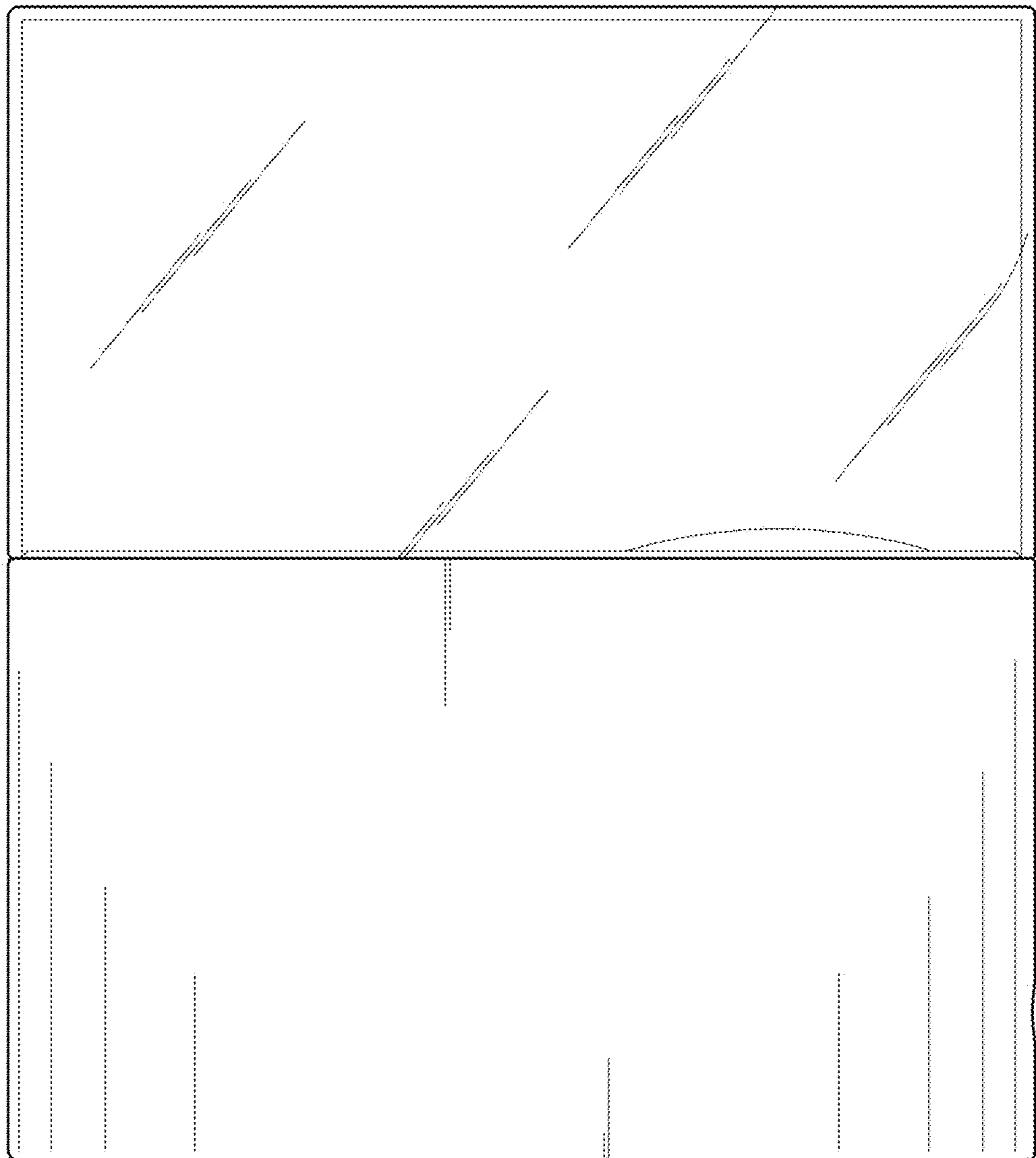
Summstar, posted at Amazon.com, posted on Jan. 2, 2021, site visited Apr. 22, 2021. online, available from internet: <https://www.amazon.com/Summstar-Retainer-Cleaner-Invisalign-Aligner/dp/B08LVP7PN8> (Year: 2021).*

* cited by examiner

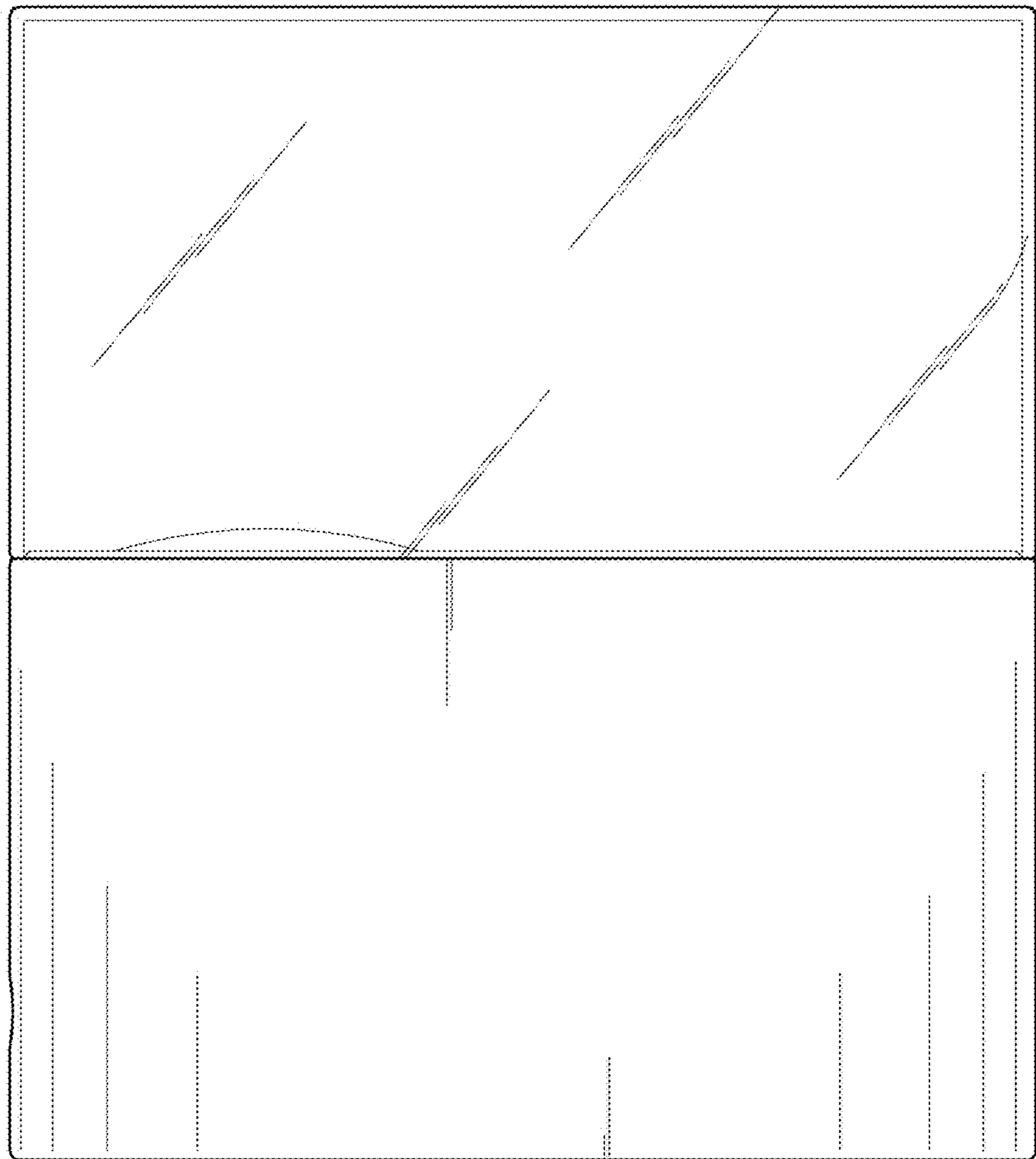
1.1



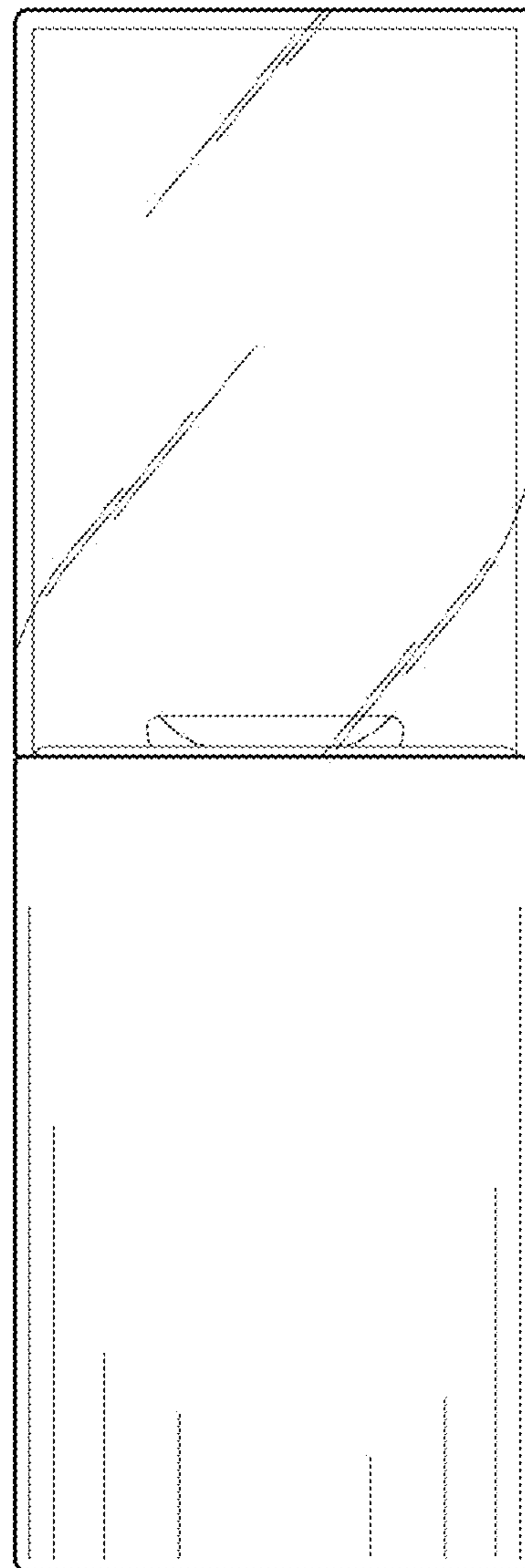
1.2



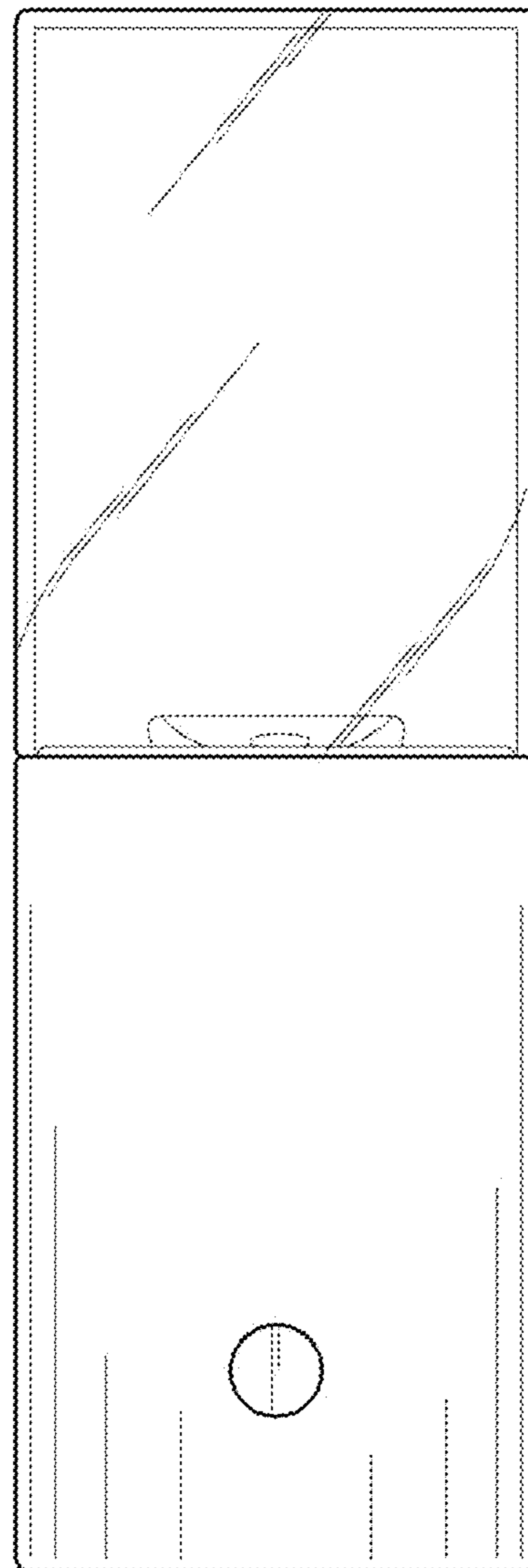
1.3



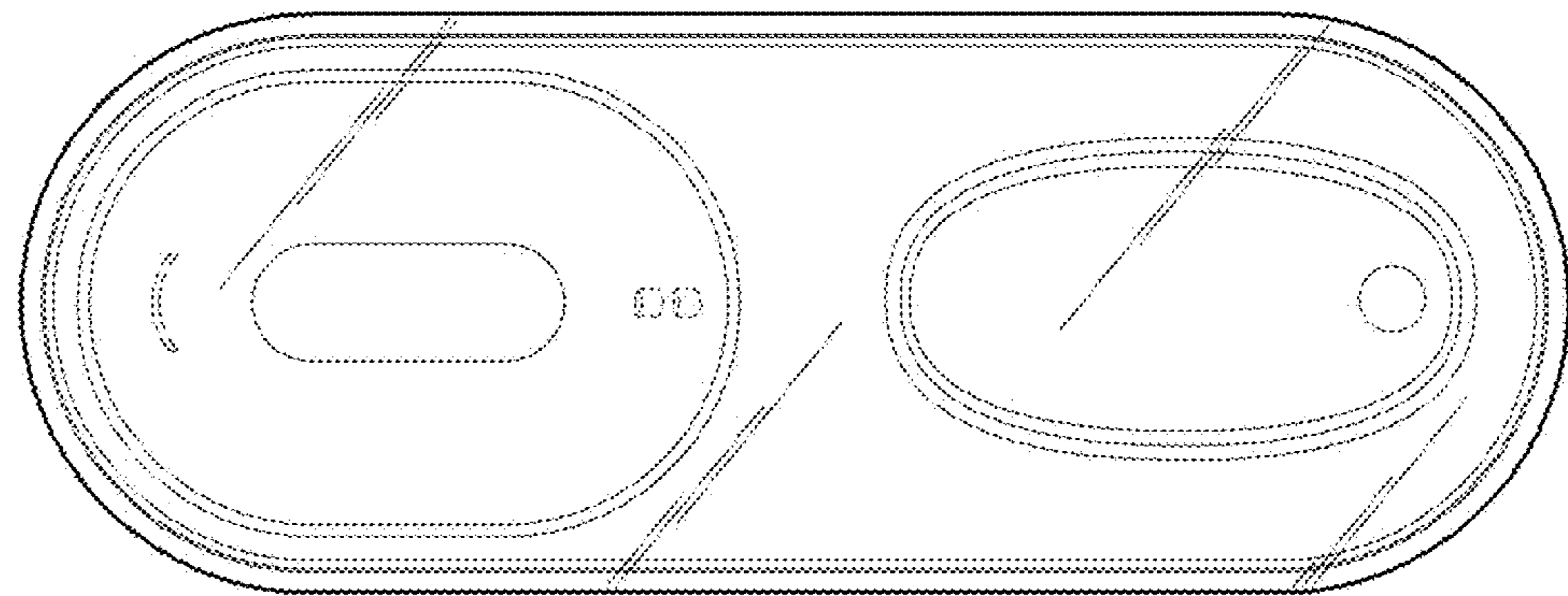
1.4



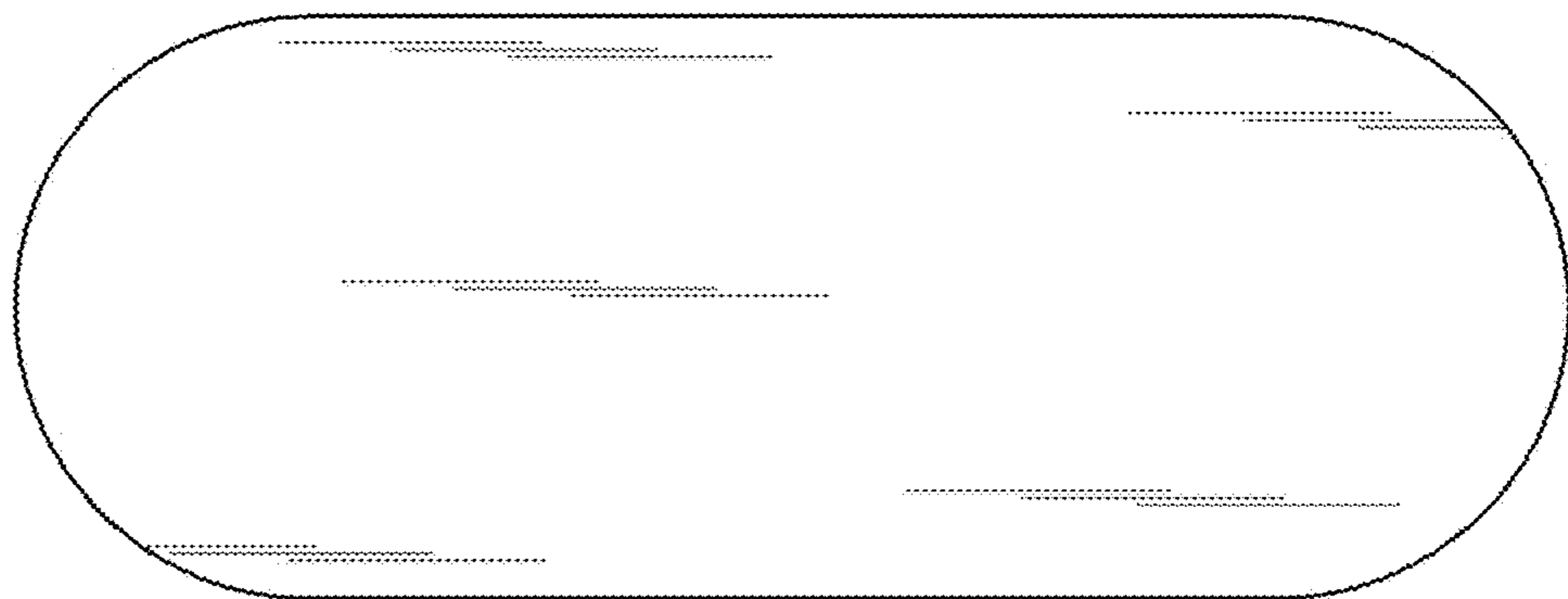
1.5



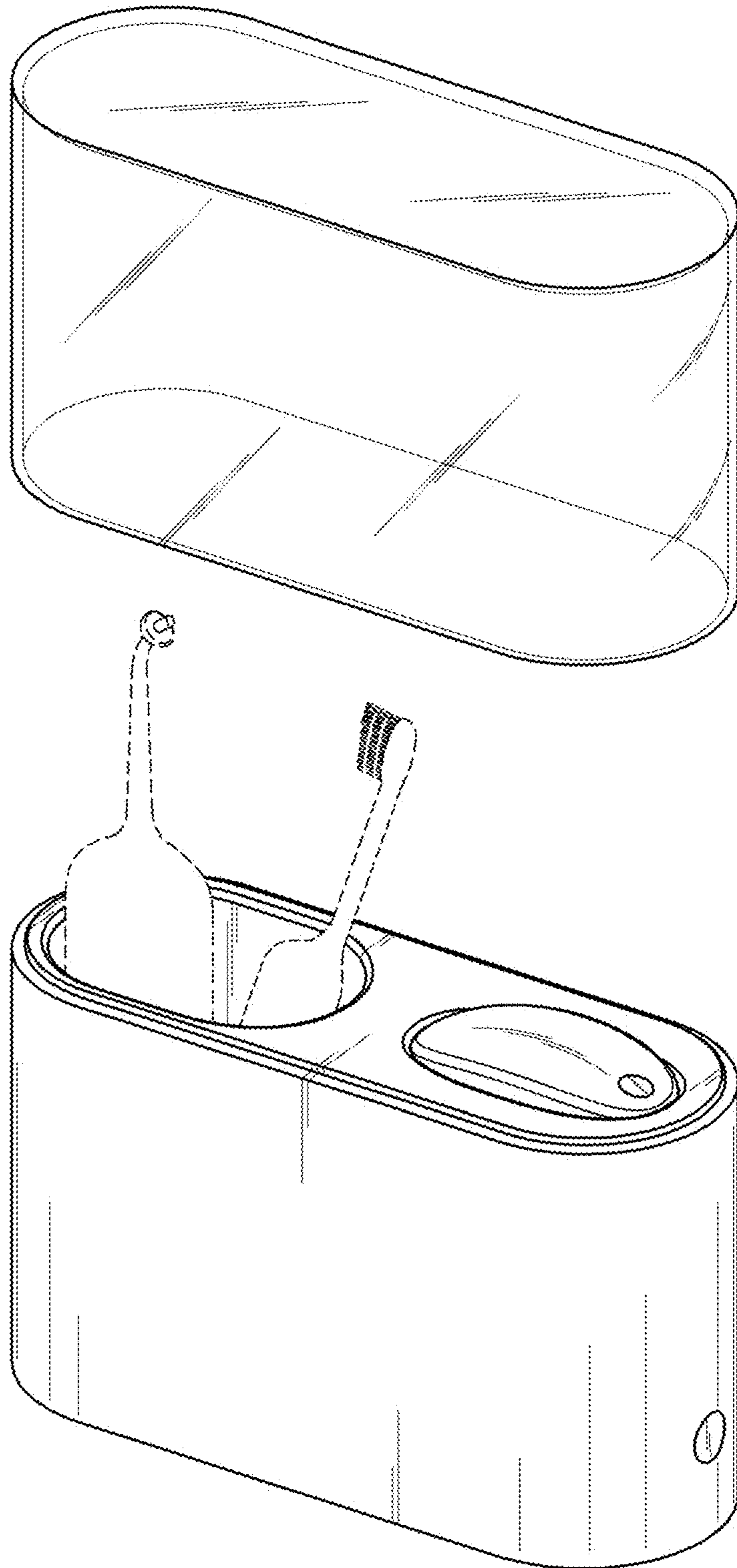
1.6



1.7



1.8



1.9

