



US00D930182S

(12) **United States Design Patent**
Jung et al.

(10) **Patent No.:** **US D930,182 S**

(45) **Date of Patent:** **** Sep. 7, 2021**

(54) **DENTAL STERILIZER CASE**

(71) Applicant: **LG ELECTRONICS INC.**, Seoul
(KR)

(72) Inventors: **Dana Jung**, Seoul (KR); **Byungsoo Kim**, Seoul (KR); **Yihyun Moon**, Seoul (KR)

(73) Assignee: **LG ELECTRONICS INC.**, Seoul
(KR)

(**) Term: **15 Years**

(21) Appl. No.: **35/509,246**

(22) Filed: **Aug. 2, 2019**

(80) **Hague Agreement Data**

Int. Filing Date: **Aug. 2, 2019**

Int. Reg. No.: **DM/207541**

Int. Reg. Date: **Aug. 2, 2019**

Int. Reg. Pub. Date: **May 1, 2020**

(30) **Foreign Application Priority Data**

Feb. 18, 2019 (KR) 30-2019-0007173

(51) **LOC (13) Cl.** **24-99**

(52) **U.S. Cl.**
USPC **D24/217**

(58) **Field of Classification Search**

USPC D9/442, 549, 695, 711, 767; D13/103,
D13/107, 108, 110, 184, 199; D14/432,
D14/434; D24/217

CPC A61L 2/00; A61L 2/0005; A61L 2/0029;
A61L 2/025; A61L 2/08; A61L 2/24;
A61L 2/26; A61G 15/16

See application file for complete search history.

(56) **References Cited**

U.S. PATENT DOCUMENTS

D288,780 S * 3/1987 Miller D9/529

D462,512 S * 9/2002 Wolf D3/205

D547,264 S * 7/2007 Kondo D13/103
D558,060 S * 12/2007 Sir D9/687
D563,313 S * 3/2008 Ueda D13/107
D586,740 S * 2/2009 Song D13/103
D650,738 S * 12/2011 Leung D13/107
D678,191 S * 3/2013 Fitch D13/108
D679,825 S * 4/2013 Elkerbout D24/217
D729,067 S * 5/2015 Behar D9/529
D817,269 S * 5/2018 Sukphist D13/108

(Continued)

OTHER PUBLICATIONS

Portable Cell Phone UV Light Sanitizer Box, posted at Amazon.com, posted on Oct. 19, 2020, site visited Apr. 22, 2021. online, available from internet: <https://www.amazon.com/Portable-Sanitizer-Wireless-Charging-Sterilizer/dp/B08LCW5WYL> (Year: 2020).*

(Continued)

Primary Examiner — Mary Ann Calabrese

Assistant Examiner — Catherine Ho

(74) *Attorney, Agent, or Firm* — Birch, Stewart, Kolasch & Birch, LLP

(57) **CLAIM**

The ornamental design for a dental sterilizer case, as shown and described.

DESCRIPTION

1. Dental sterilizer case

1.1 : Perspective

1.2 : Front

1.3 : Back

1.4 : Left

1.5 : Right

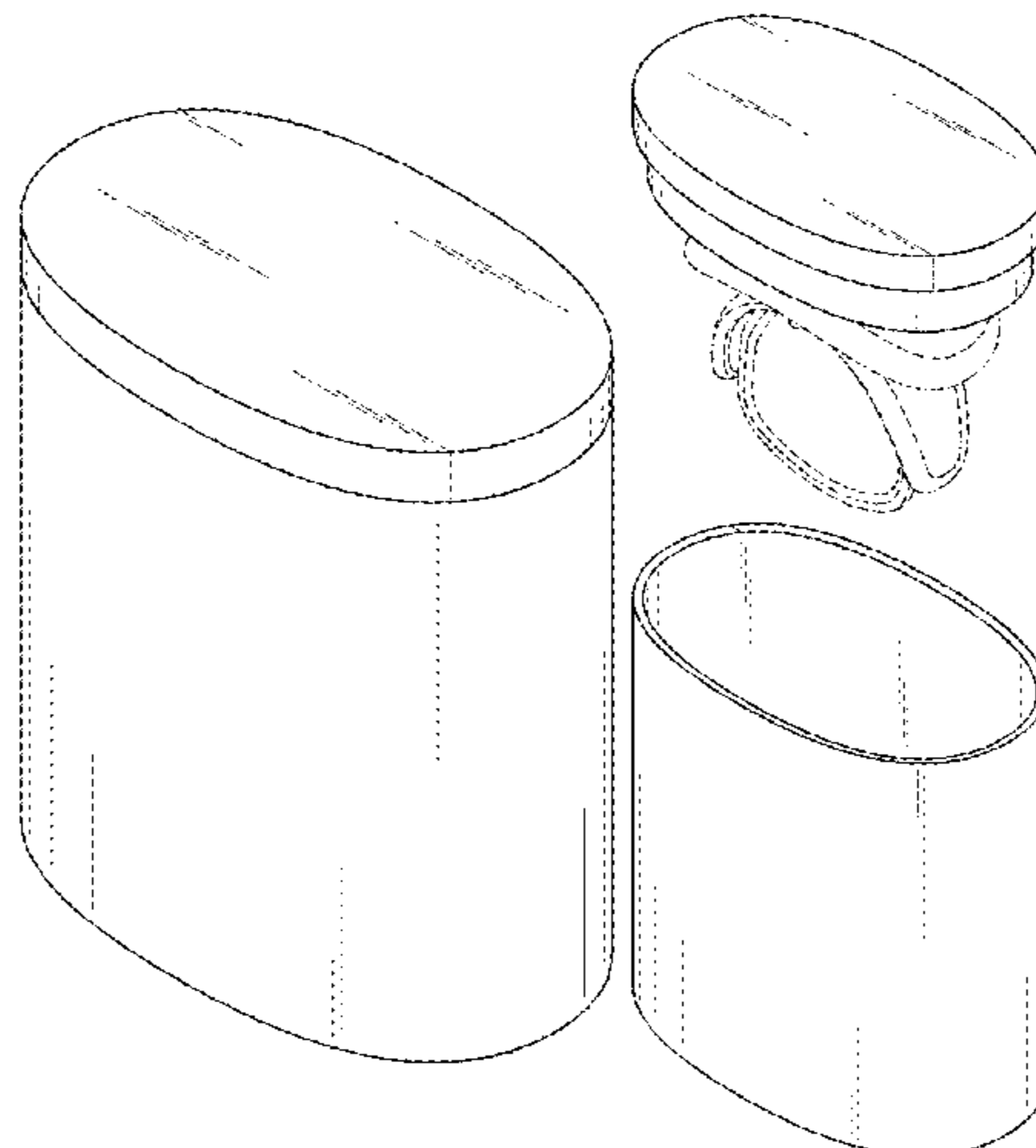
1.6 : Top

1.7 : Bottom

1.8 : Exploded view

The parts shown by means of broken lines in the reproductions are not part of the claimed design.

1 Claim, 8 Drawing Sheets



(56)

References Cited

U.S. PATENT DOCUMENTS

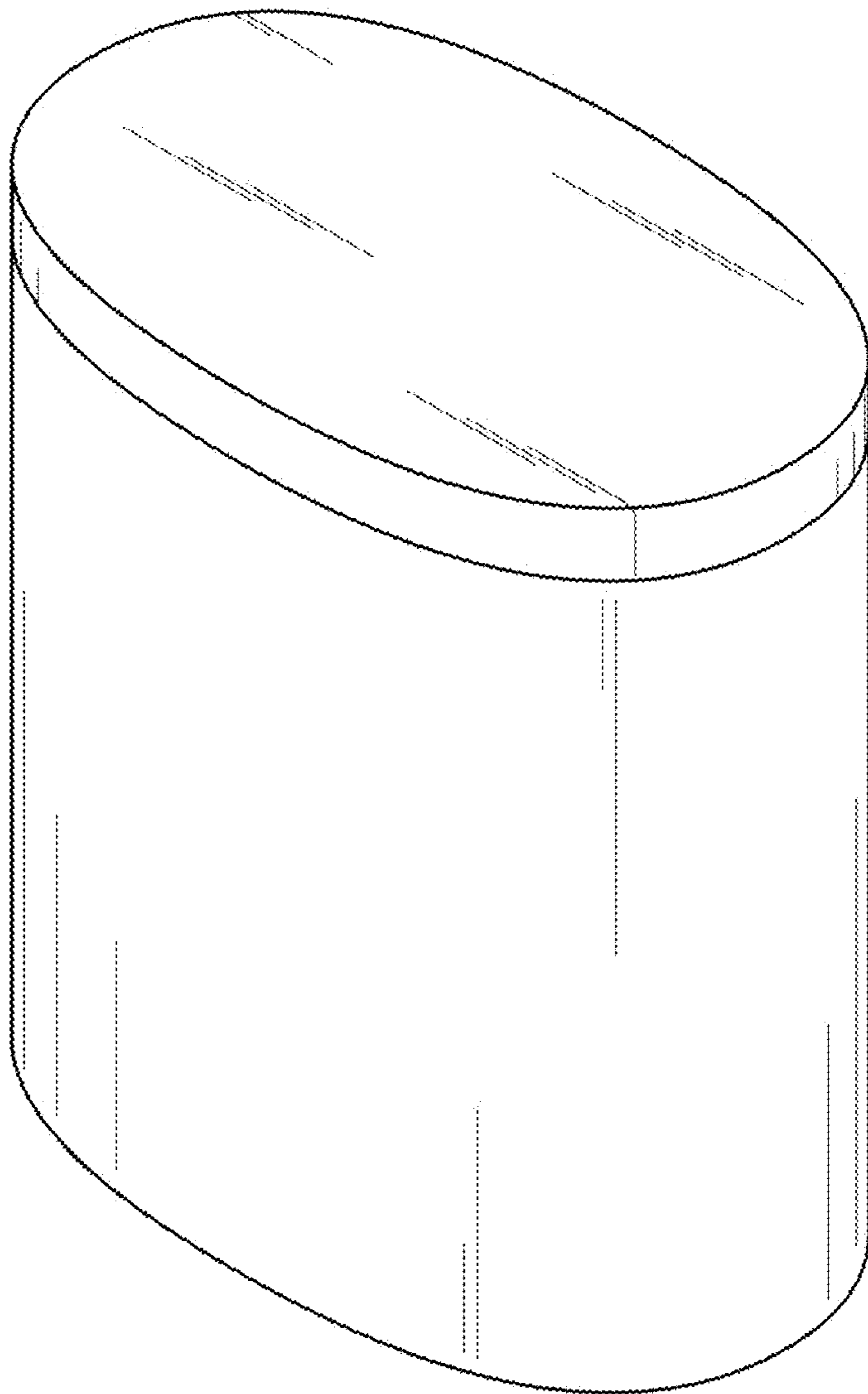
D821,972 S * 7/2018 Wei D13/108
 D841,580 S * 2/2019 Bao D13/108
 D853,357 S * 7/2019 Li D14/217
 D870,666 S * 12/2019 Madsen D13/108
 D886,453 S * 6/2020 Wright D3/294
 D886,454 S * 6/2020 Williamson D3/294
 D889,395 S * 7/2020 Birkholz D13/103
 D890,091 S * 7/2020 Cramer D13/108
 D892,045 S * 8/2020 Zhang D13/108
 D898,664 S * 10/2020 Bhutani D13/108
 D899,358 S * 10/2020 Reilly D13/108
 D901,377 S * 11/2020 Zhou D13/108
 D903,588 S * 12/2020 Shoemake D13/108
 D904,977 S * 12/2020 Deng D13/108
 D911,181 S * 2/2021 Lee D9/529
 D911,944 S * 3/2021 Gao D13/108
 D911,950 S * 3/2021 Zhang D13/108
 D912,622 S * 3/2021 Zhou D13/108
 D914,591 S * 3/2021 Ganapathy D13/107
 D914,596 S * 3/2021 Akana D13/110
 2003/0129487 A1 * 7/2003 Inoue H01M 50/116
 429/176
 2014/0127077 A1 * 5/2014 Rock A61L 2/0088
 422/28

OTHER PUBLICATIONS

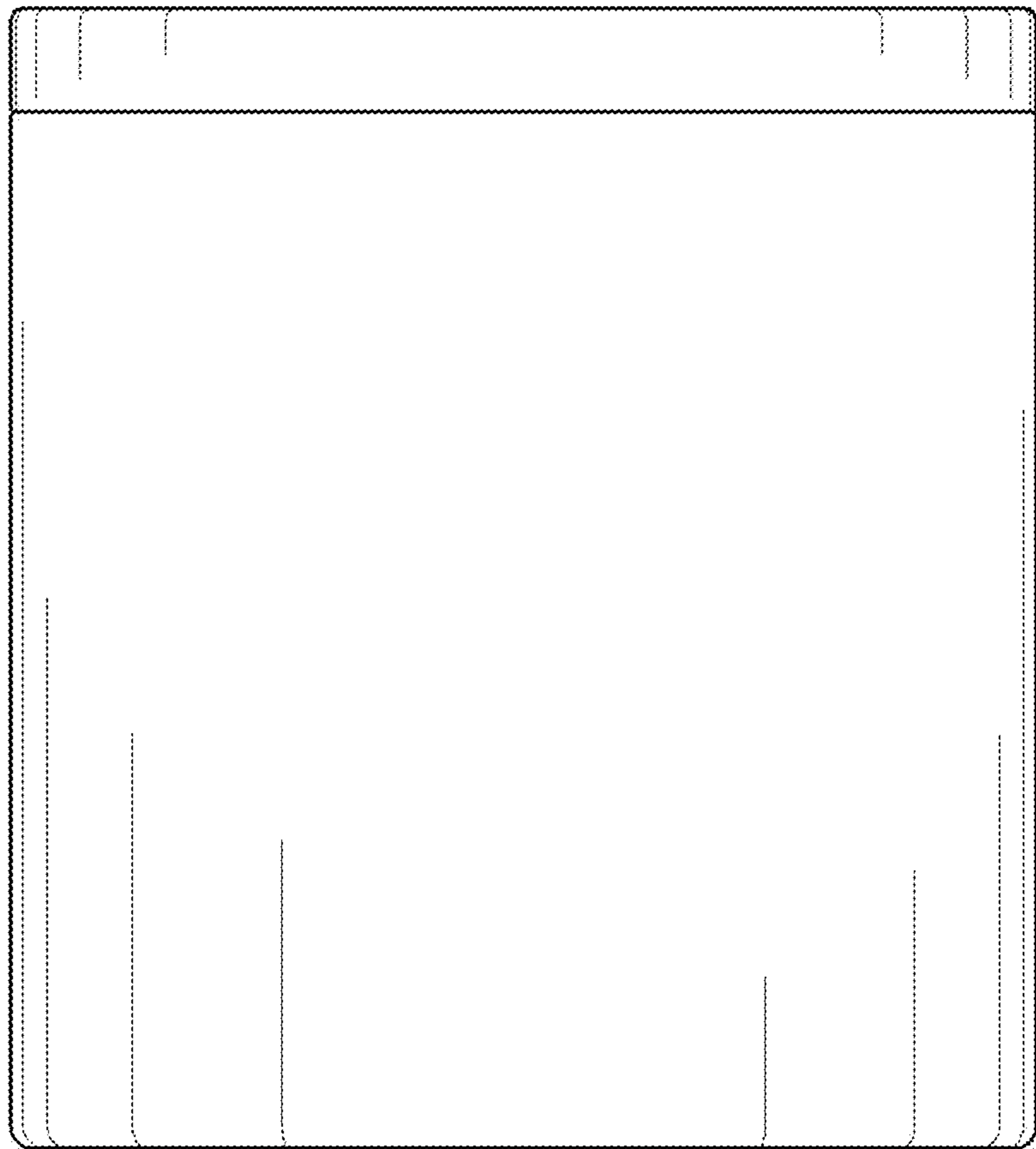
Summstar, posted at Amazon.com, posted on Jan. 2, 2021, site
 visited Apr. 22, 2021. online, available from internet: [https://www.
 amazon.com/Summstar-Retainer-Cleaner-Invisalign-Aligner/dp/
 B08LVP7PN8](https://www.amazon.com/Summstar-Retainer-Cleaner-Invisalign-Aligner/dp/B08LVP7PN8) (Year: 2021).*

* cited by examiner

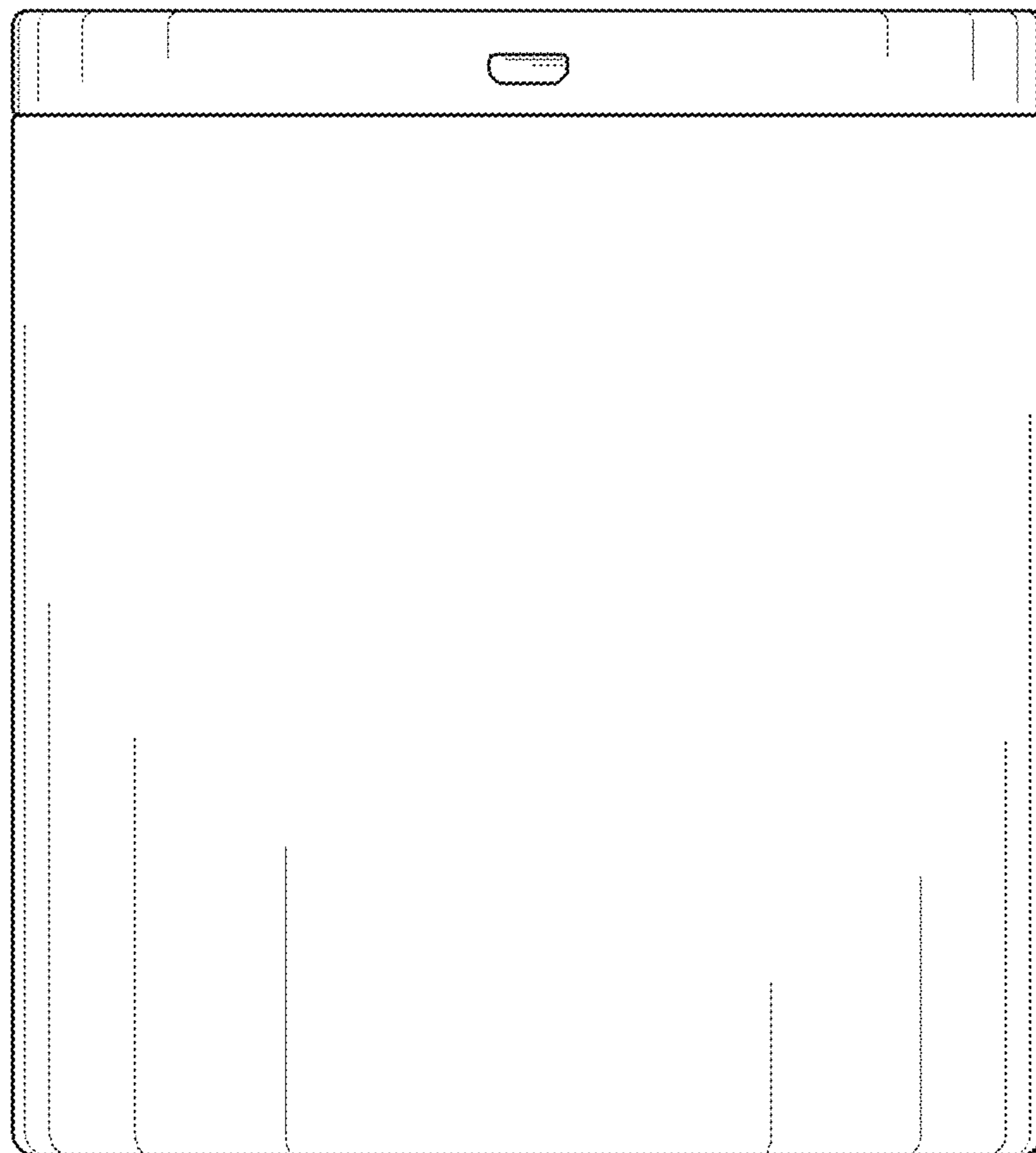
1.1



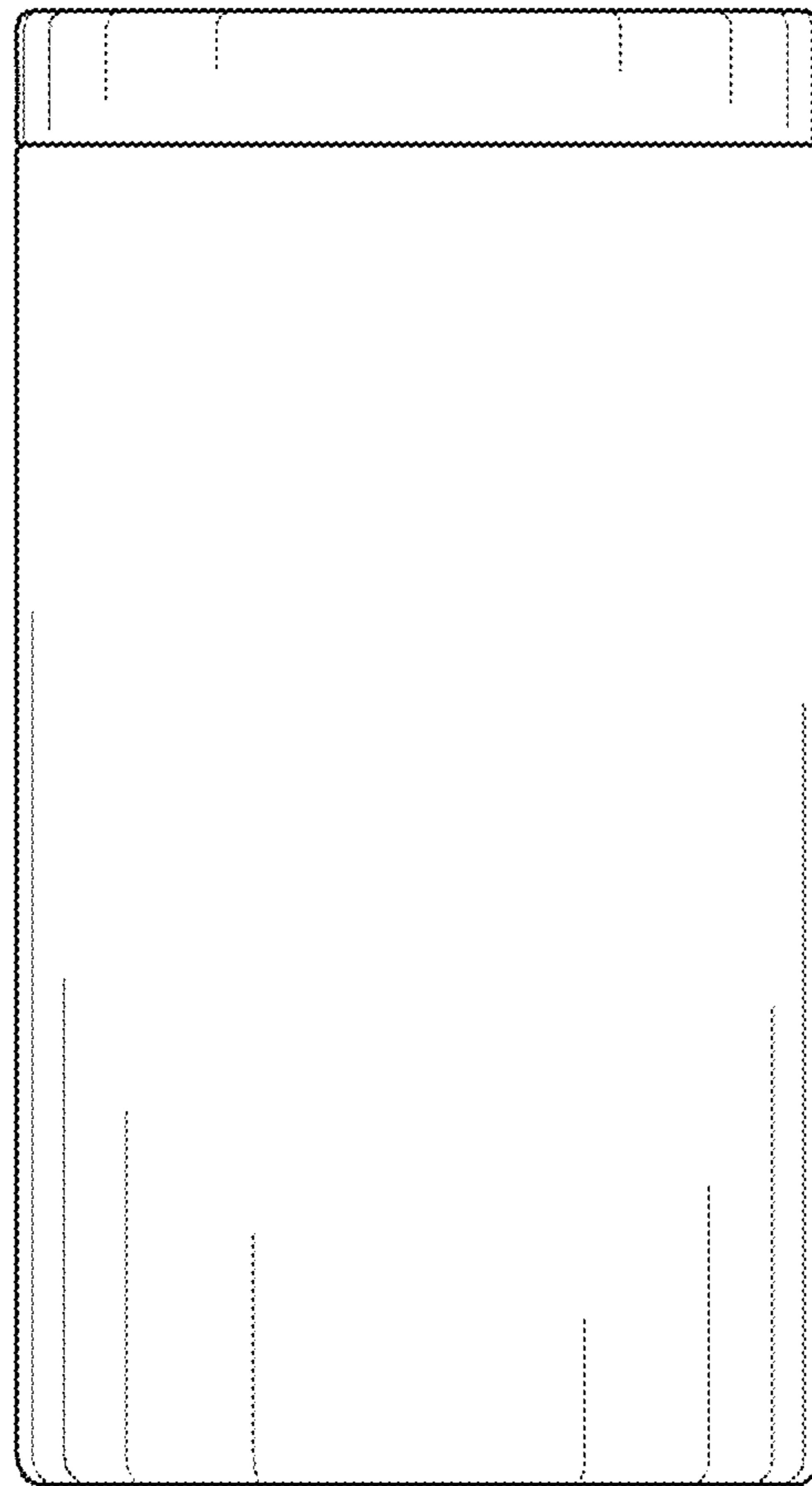
1.2



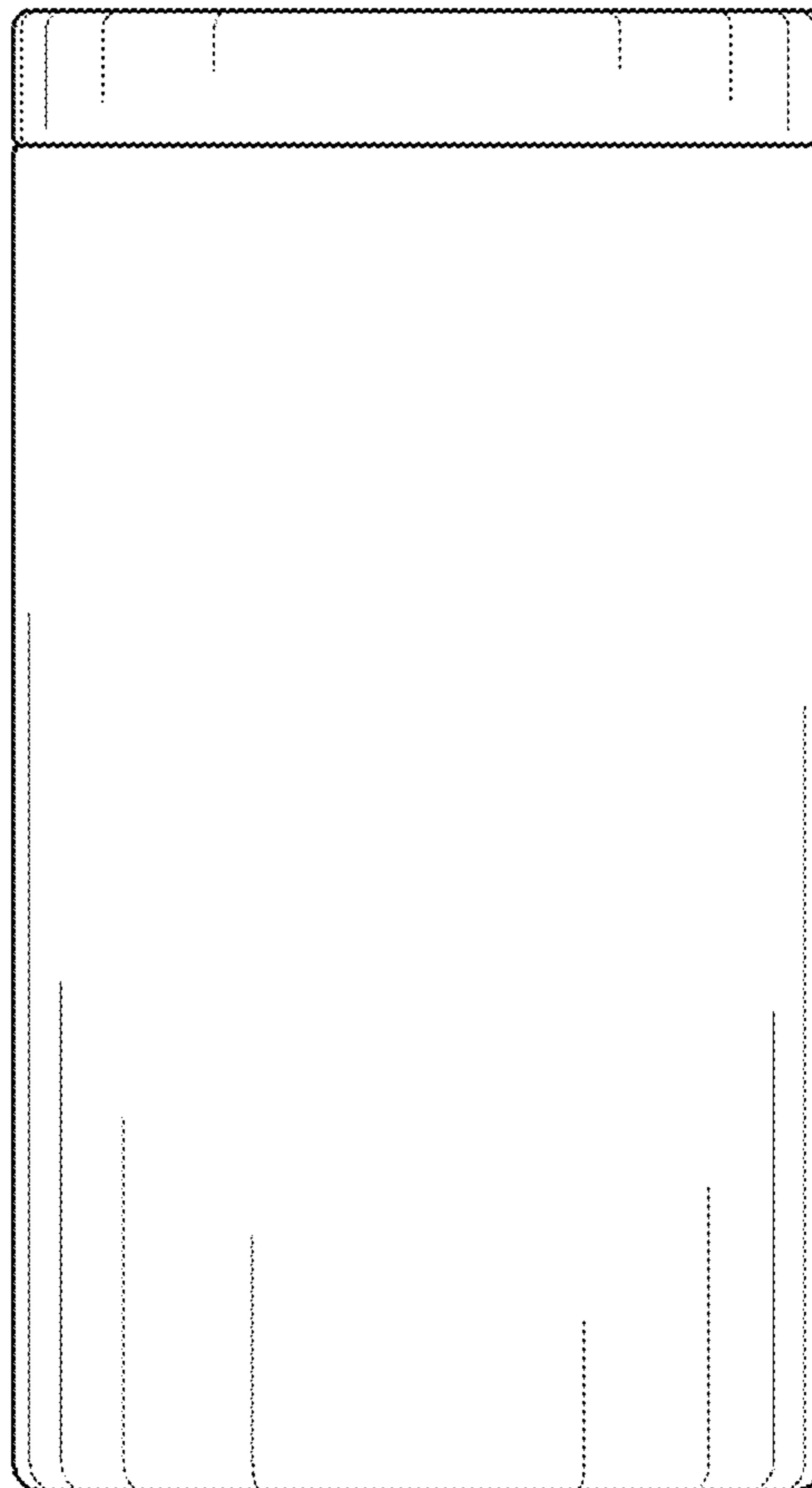
1.3



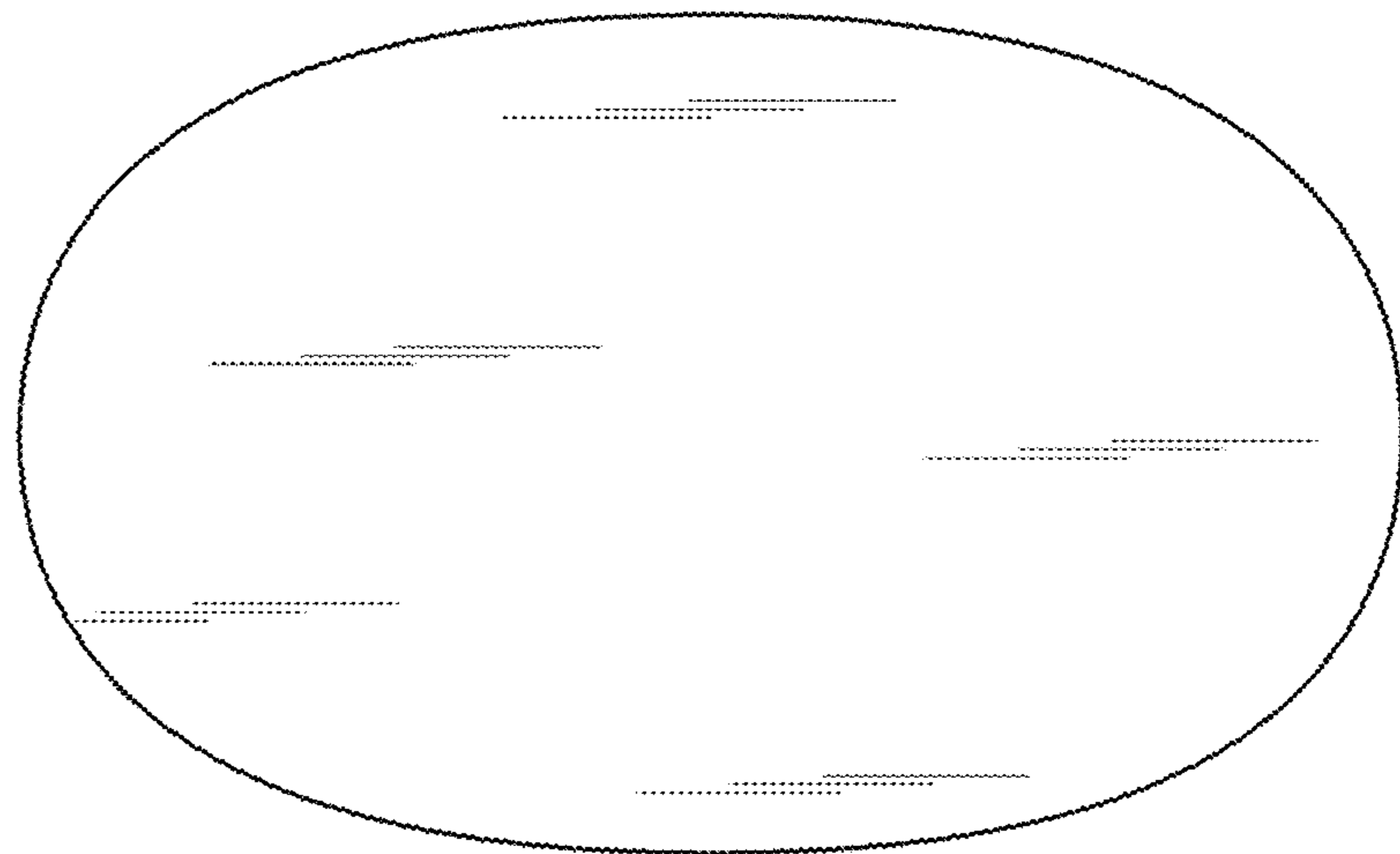
1.4



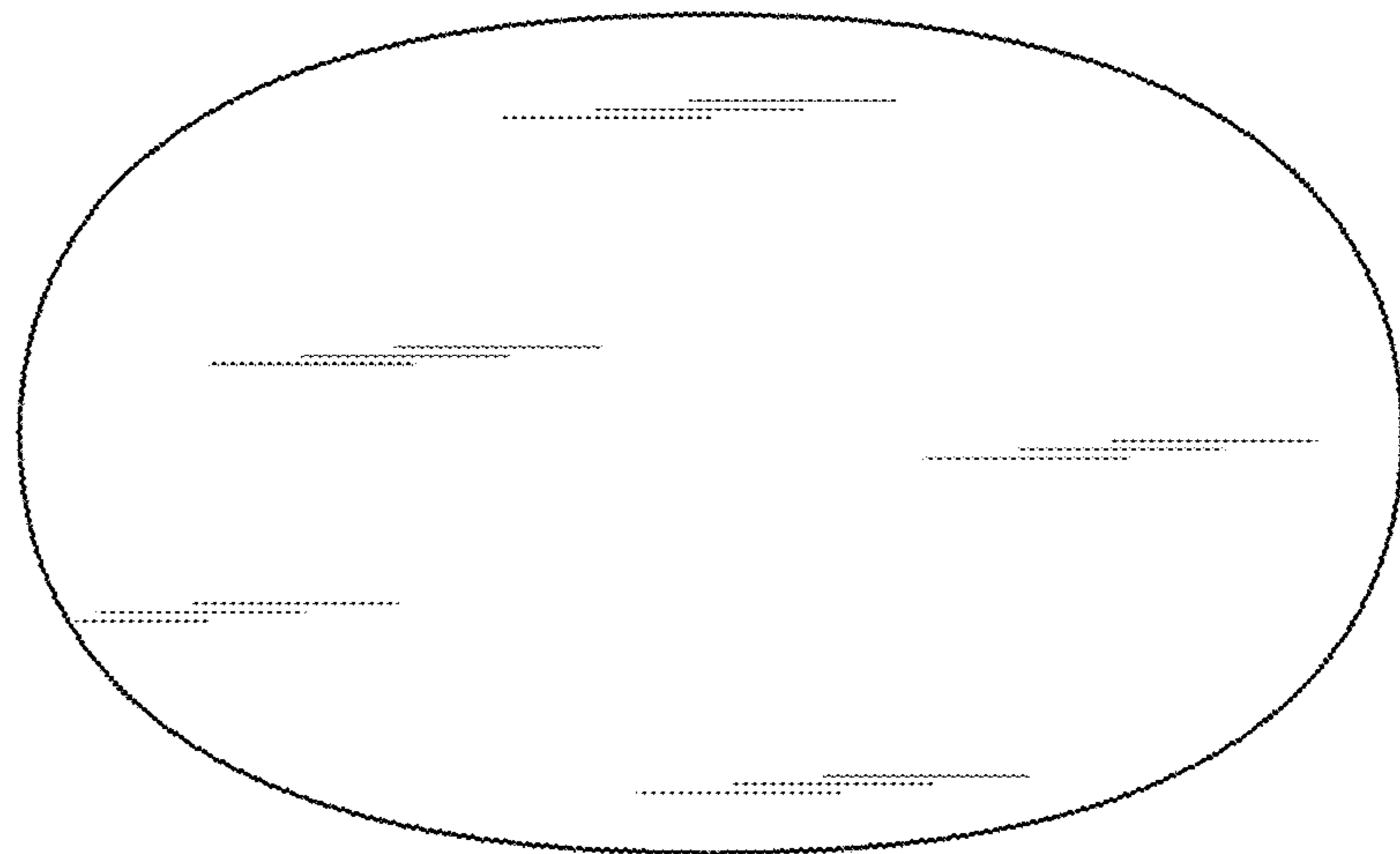
1.5



1.6



1.7



1.8

