



US00D930179S

(12) **United States Design Patent** (10) **Patent No.:** **US D930,179 S**
Zhu (45) **Date of Patent:** **** Sep. 7, 2021**

(54) **MESSAGE GUN**
(71) Applicant: **SHENZHEN ODDX TECHNOLOGY CO., LTD.**, Shenzhen (CN)
(72) Inventor: **Fang Zhu**, Shenzhen (CN)
(73) Assignee: **SHENZHEN ODDX TECHNOLOGY CO., LTD.**, Shenzhen (CN)

D884,207 S * 5/2020 Ma D24/215
D884,915 S * 5/2020 Wersland D24/215
D885,601 S * 5/2020 Wersland D24/215
D886,317 S * 6/2020 Marton D24/215
D887,573 S * 6/2020 Wersland D24/215
10,714,953 B1 * 7/2020 Solana H02J 7/0044
D893,738 S 8/2020 Zhuang
D895,132 S * 9/2020 Hu D24/215
D895,133 S * 9/2020 Xu D24/215

(Continued)

(**) Term: **15 Years**

OTHER PUBLICATIONS

(21) Appl. No.: **29/764,544**

Odexmax, "Pro Percussion Massage Gun", May 19, 2021. <https://www.odexmax.com/od882-pro-percussion-massage-gun.html>. Shown on p. 1. (Year: 2021).*

(22) Filed: **Dec. 30, 2020**

(51) **LOC (13) Cl.** **28-03**

(52) **U.S. Cl.**
USPC **D24/215**

Primary Examiner — Cynthia Ramirez
Assistant Examiner — Michael A Maharajh

(58) **Field of Classification Search**
USPC D24/200, 211, 212, 213, 214, 215;
D8/14.1; D28/13
CPC . A61H 2201/1635; A61H 23/006; A61H 1/00
See application file for complete search history.

(57) **CLAIM**

The ornamental design for a massage gun, as shown and described.

DESCRIPTION

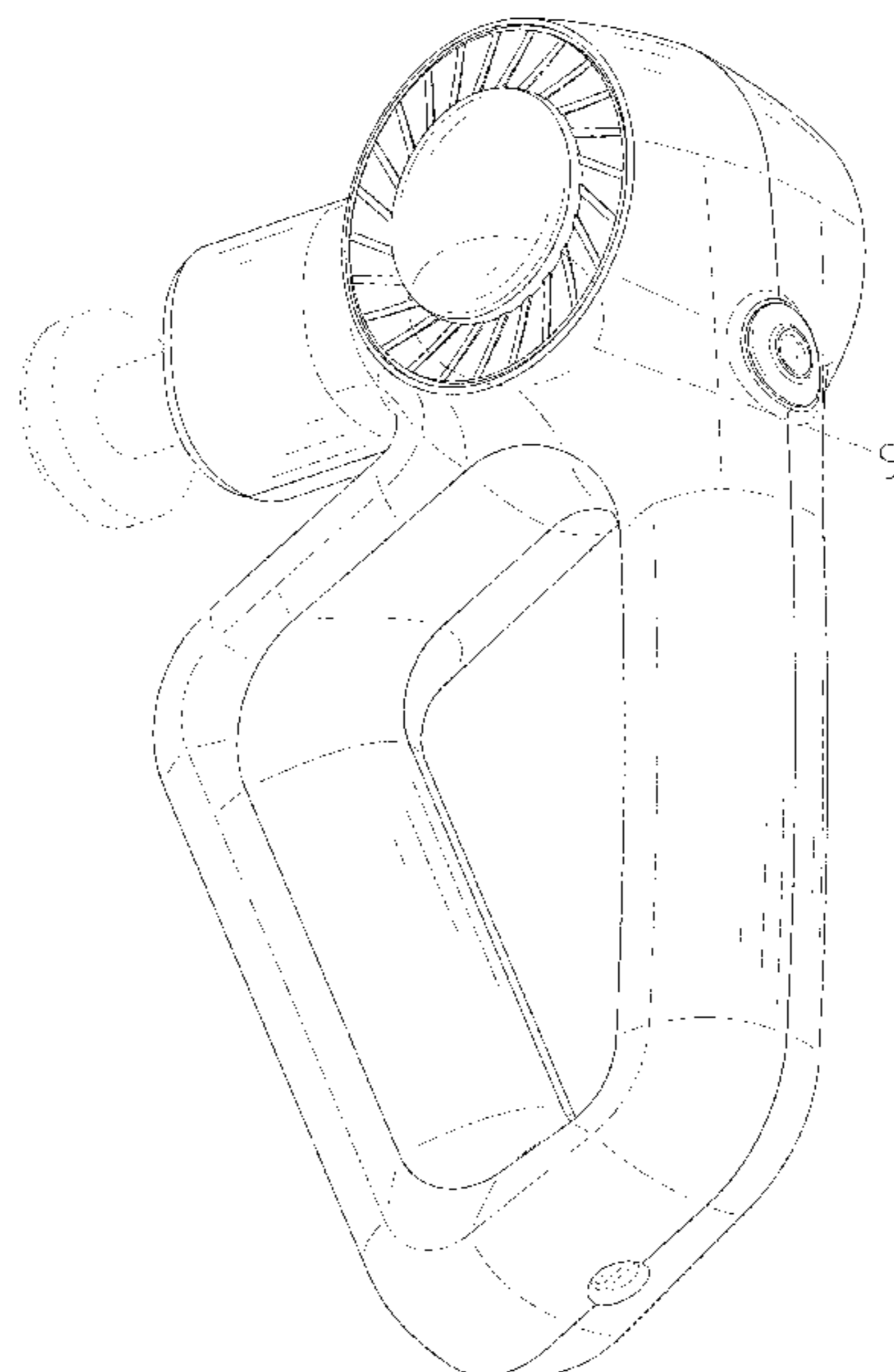
(56) **References Cited**

U.S. PATENT DOCUMENTS

D616,558 S * 5/2010 Tsai D24/200
D847,364 S * 4/2019 Lee D24/215
10,314,762 B1 * 6/2019 Marton A61H 23/006
D855,822 S * 8/2019 Marton D24/215
D863,571 S * 10/2019 Yang D24/200
D866,790 S * 11/2019 Lee D24/215
D872,869 S * 1/2020 Lu D24/215
D873,432 S * 1/2020 Duan D24/214
D874,015 S * 1/2020 Marton D24/215
D877,351 S * 3/2020 Wersland D24/215
D879,985 S * 3/2020 Wersland D24/214
D879,986 S * 3/2020 Wersland D24/214
D880,714 S * 4/2020 Wersland D24/215
D880,715 S * 4/2020 Wersland D24/215
D880,716 S * 4/2020 Wersland D24/215
D884,205 S * 5/2020 Zhuang D24/215

FIG. 1 is a perspective view of a massage gun showing my new design;
FIG. 2 is another perspective view thereof;
FIG. 3 is a front elevational view thereof;
FIG. 4 is a rear elevational view thereof;
FIG. 5 is a left side elevational view thereof;
FIG. 6 is a right side elevational view thereof;
FIG. 7 is a top plan view thereof;
FIG. 8 is a bottom plan view thereof; and,
FIG. 9 is an enlarged view of portion 9 shown in FIG. 1.
The broken lines in the drawings depict portions of the massage gun that form no part of the claimed design. The dash-dot broken lines shown are for the purpose of showing enlarged areas, which form no part of the claimed design.

1 Claim, 9 Drawing Sheets



(56)

References Cited

U.S. PATENT DOCUMENTS

D895,135 S * 9/2020 Xu D24/215
D895,829 S * 9/2020 Hu D24/215
D895,831 S * 9/2020 Chen D24/215
D896,396 S * 9/2020 Wersland D24/215
D898,209 S * 10/2020 Xu D24/214
D898,933 S * 10/2020 Xu D24/215
D899,620 S * 10/2020 Huang D24/215
D905,863 S * 12/2020 Lin D24/215
D906,533 S * 12/2020 Xu D24/215
D907,229 S * 1/2021 Zhang D24/215
D907,230 S * 1/2021 Zhang D24/215
D908,908 S * 1/2021 Xu D24/215
D910,194 S * 2/2021 Radtke D24/215
D911,535 S * 2/2021 Yu D24/200
D912,267 S * 3/2021 Tang D24/215
D912,268 S * 3/2021 Xiang D24/215

D913,516 S * 3/2021 Zhang D24/215
D913,517 S * 3/2021 Yu D24/215
10,940,081 B2 * 3/2021 Nazarian A61H 23/02
10,959,911 B2 * 3/2021 Wersland A61H 1/00
D916,307 S * 4/2021 Xiong D24/215
D917,060 S * 4/2021 Hu D24/215
2016/0338899 A1 * 11/2016 Howson A61H 7/001
2016/0367425 A1 * 12/2016 Wersland A61H 1/008
2017/0304145 A1 * 10/2017 Pepe A61H 23/006
2018/0200141 A1 * 7/2018 Wersland A61H 23/006
2019/0254921 A1 * 8/2019 Marton A61H 23/006
2020/0069510 A1 * 3/2020 Wersland A61H 15/0085
2020/0085675 A1 * 3/2020 Lee A61H 1/00
2020/0214930 A1 * 7/2020 Wersland A61H 1/00
2020/0261306 A1 * 8/2020 Pepe A61H 23/0254
2020/0261307 A1 * 8/2020 Wersland A61H 23/006
2020/0268594 A1 * 8/2020 Pepe A61H 15/02
2020/0390644 A1 * 12/2020 Yang G16H 20/30
2021/0113427 A1 * 4/2021 Liu A61H 23/0254

* cited by examiner

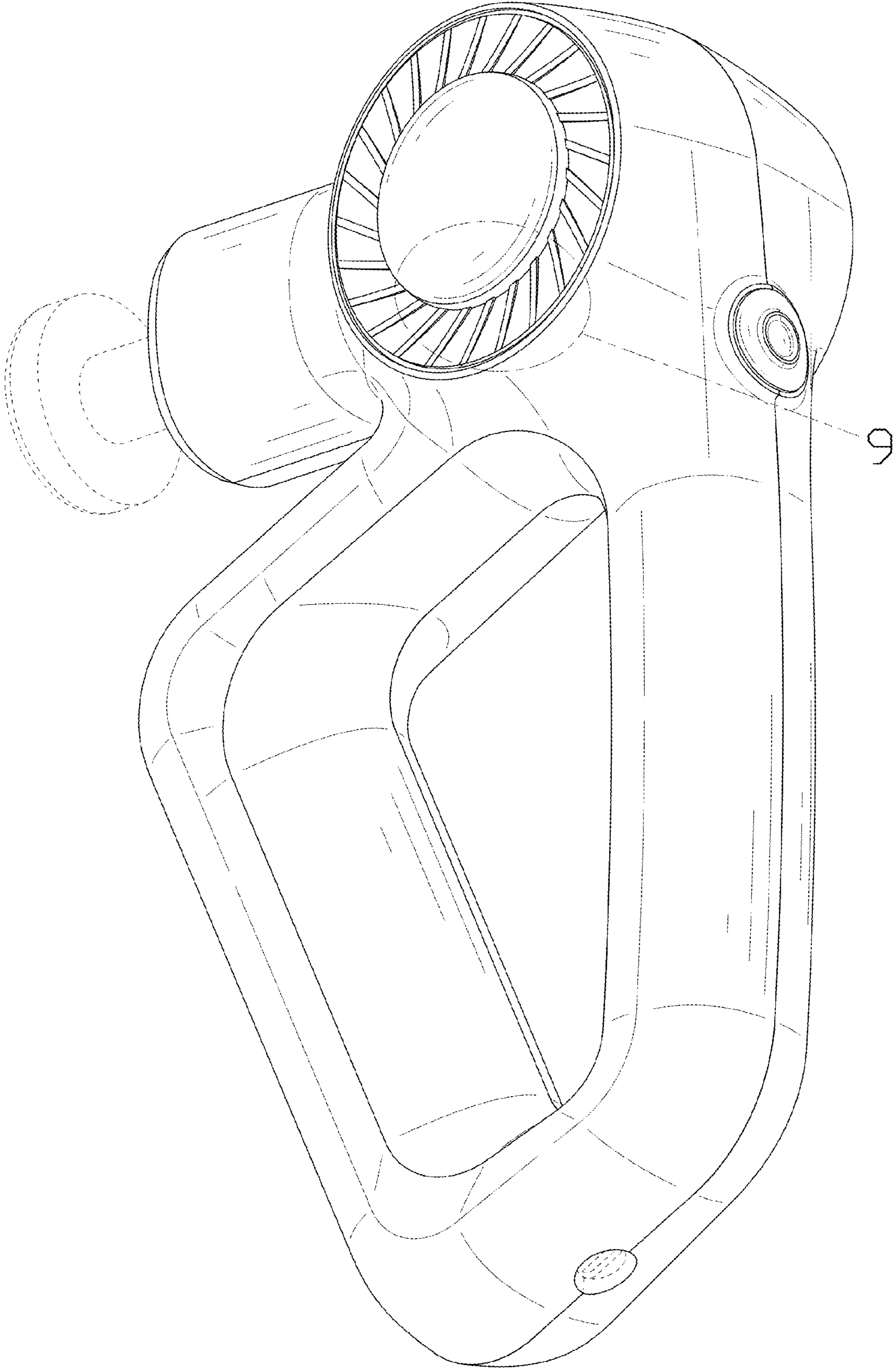


FIG. 1

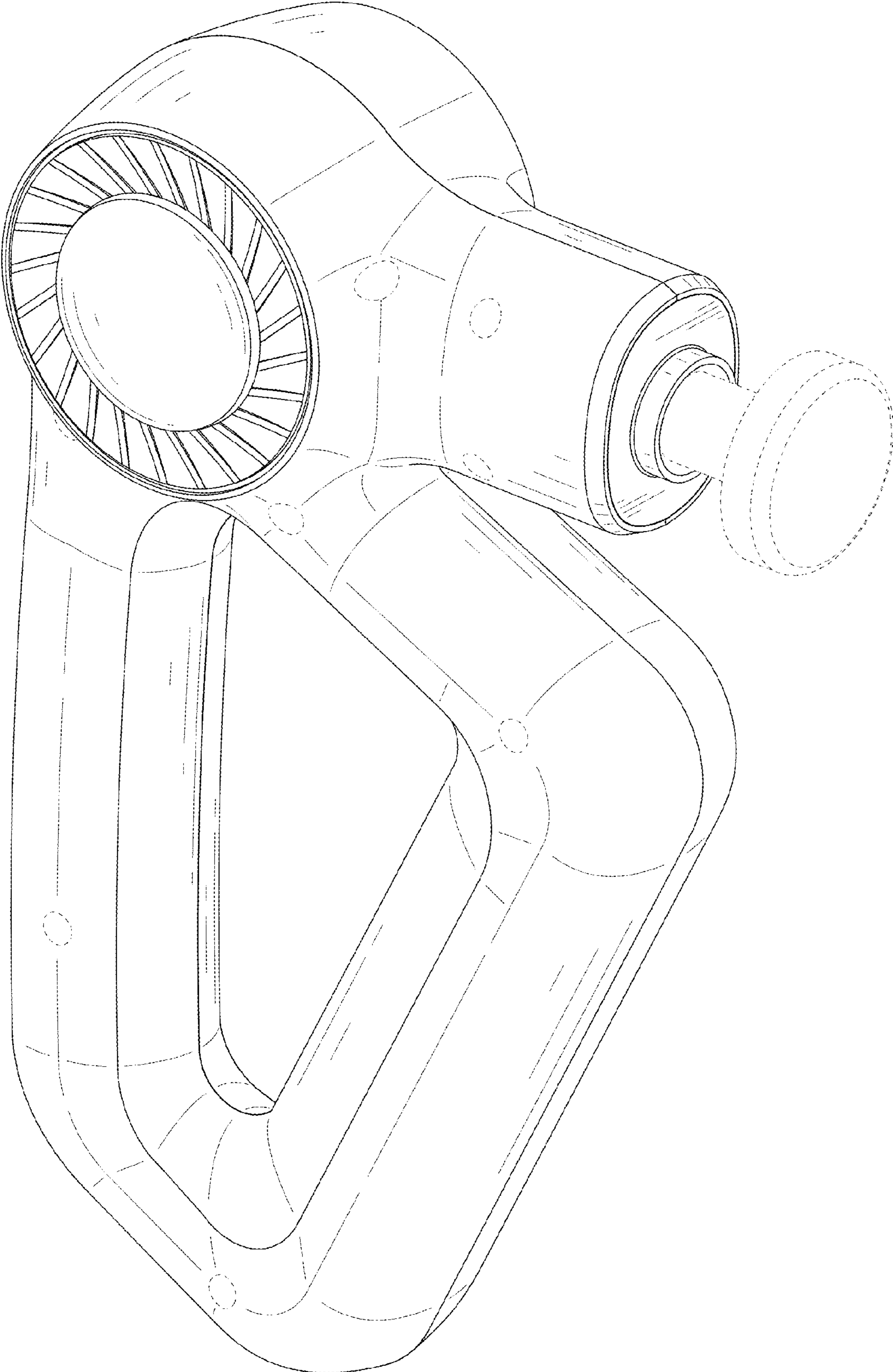


FIG. 2

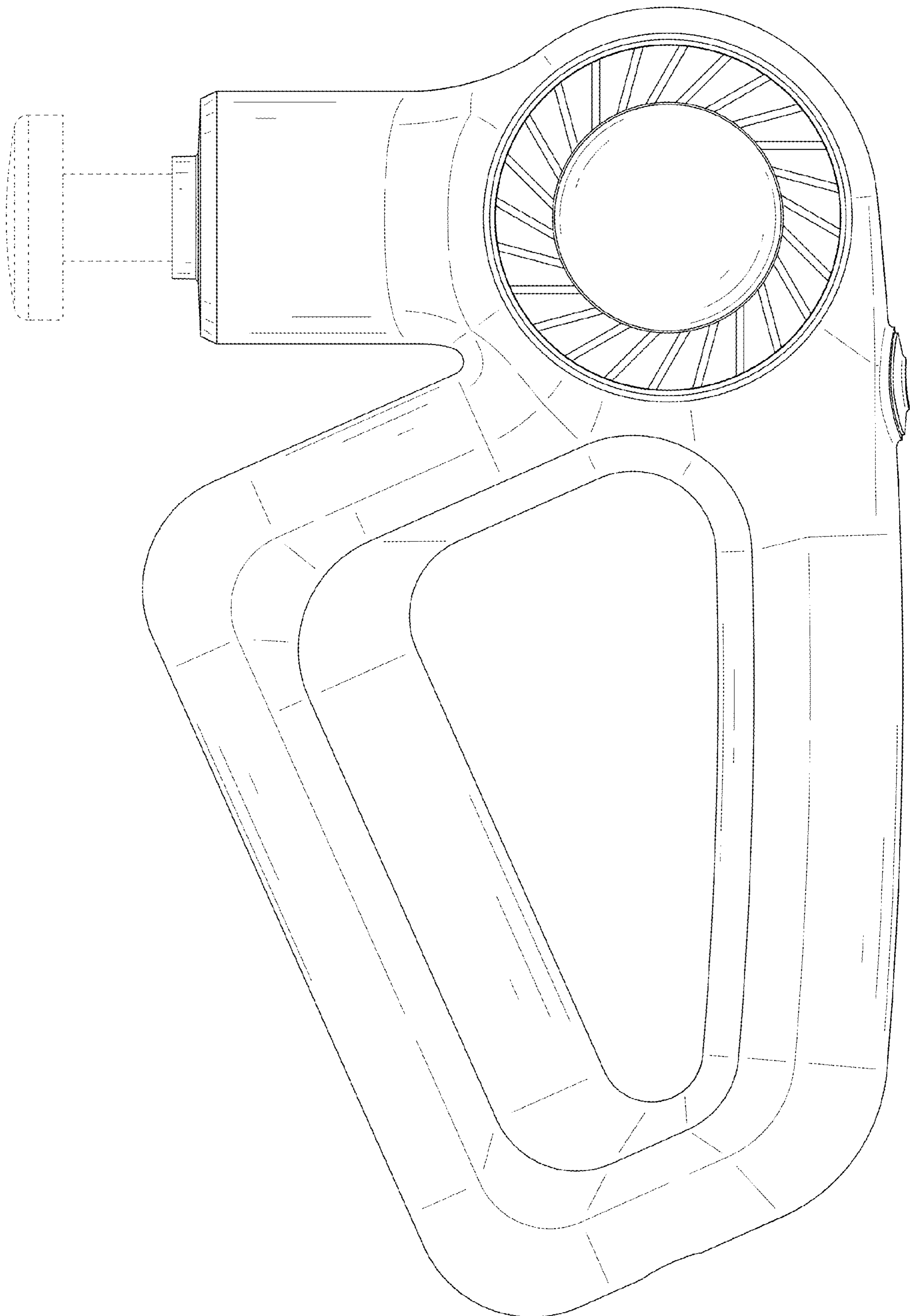


FIG. 3

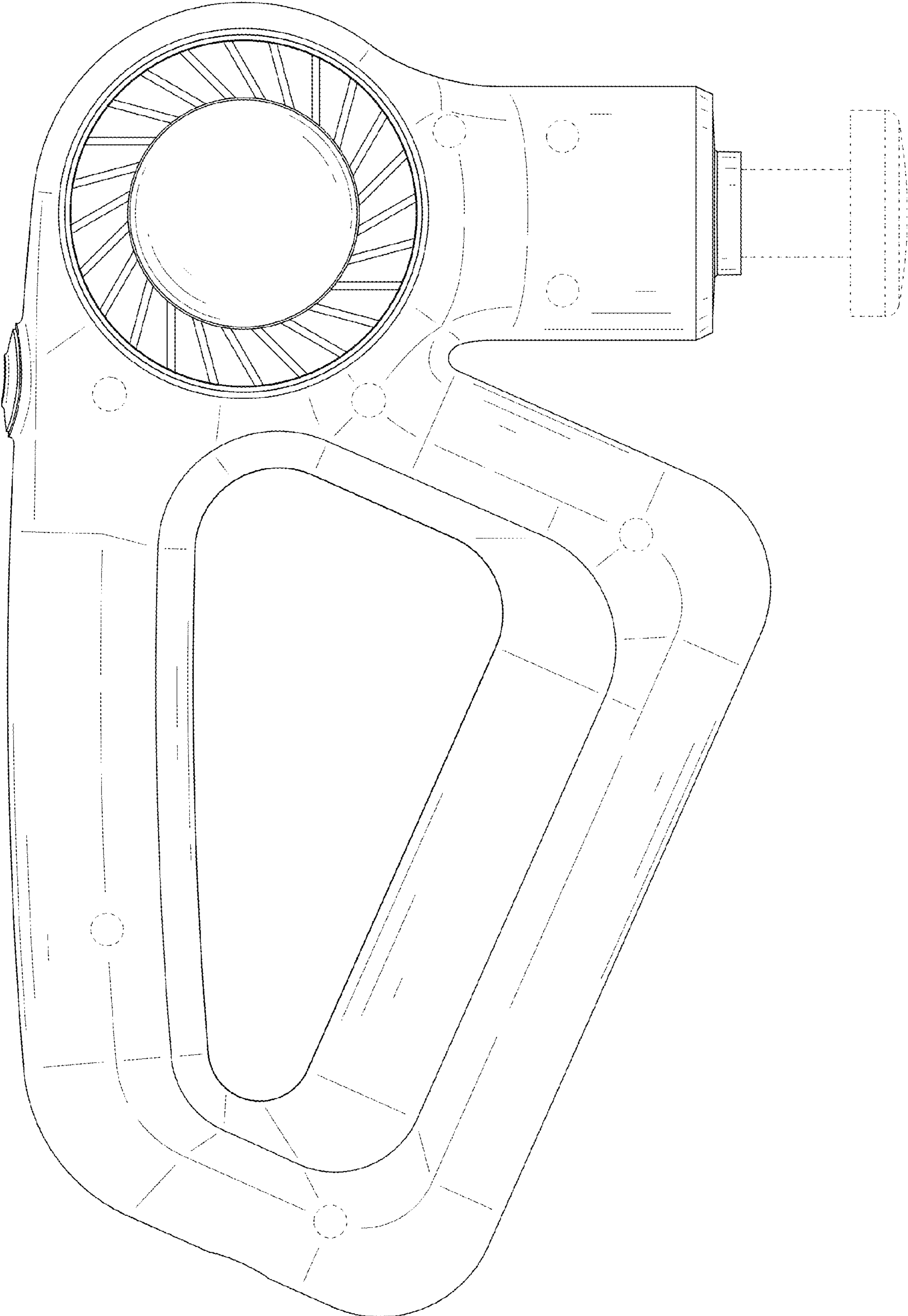


FIG. 4

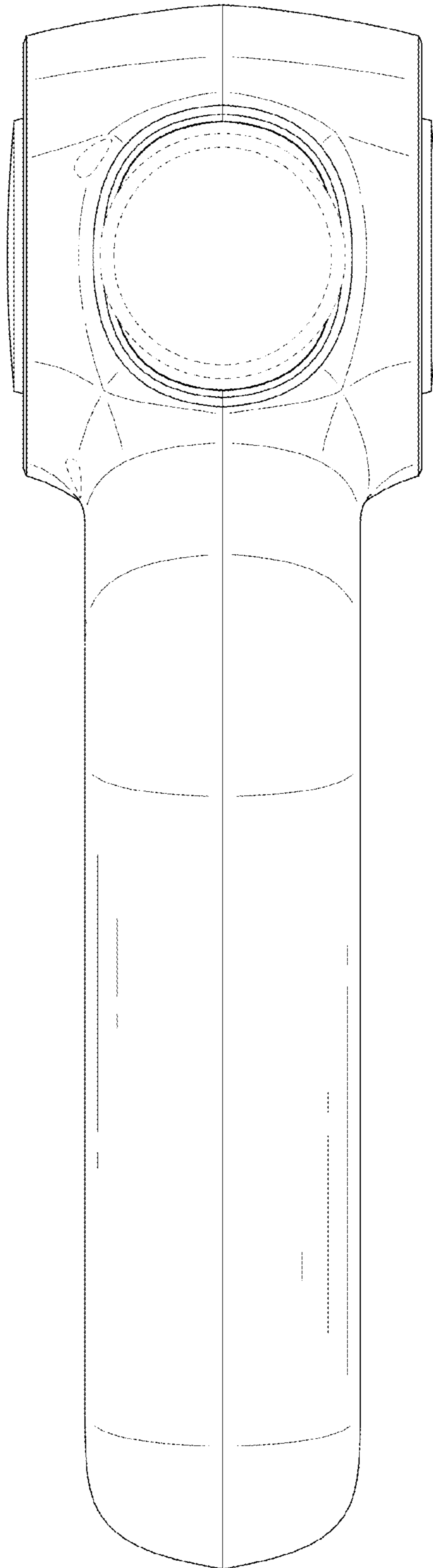


FIG. 5

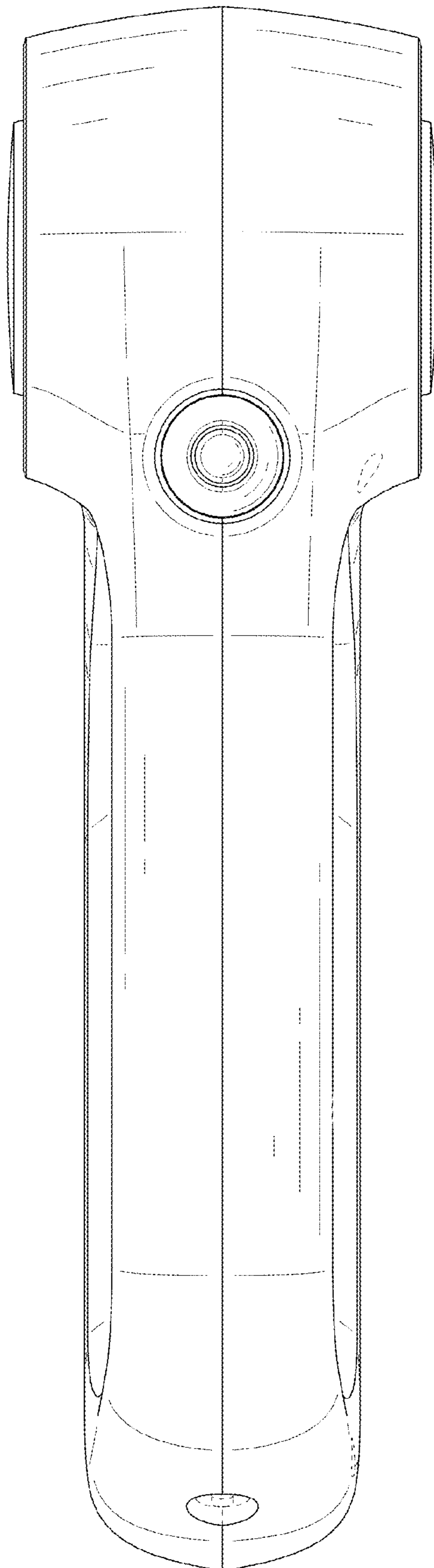


FIG. 6

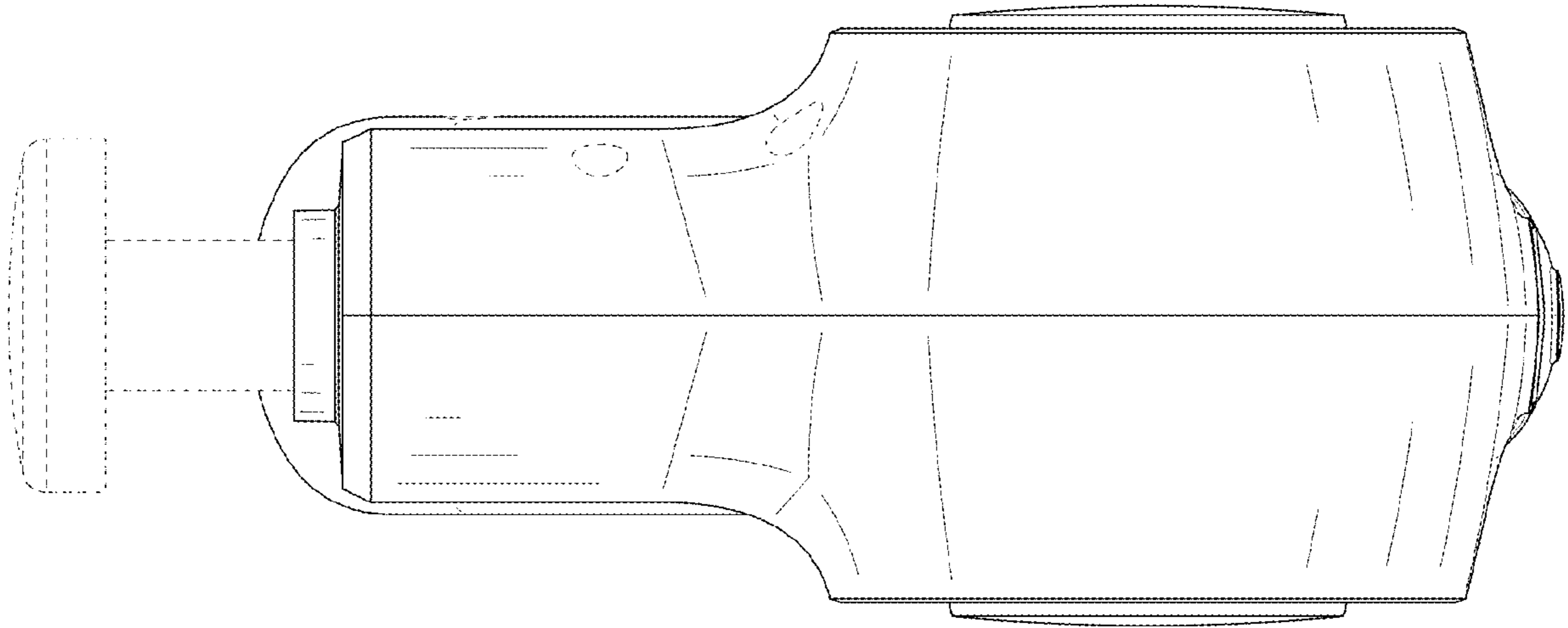


FIG. 7

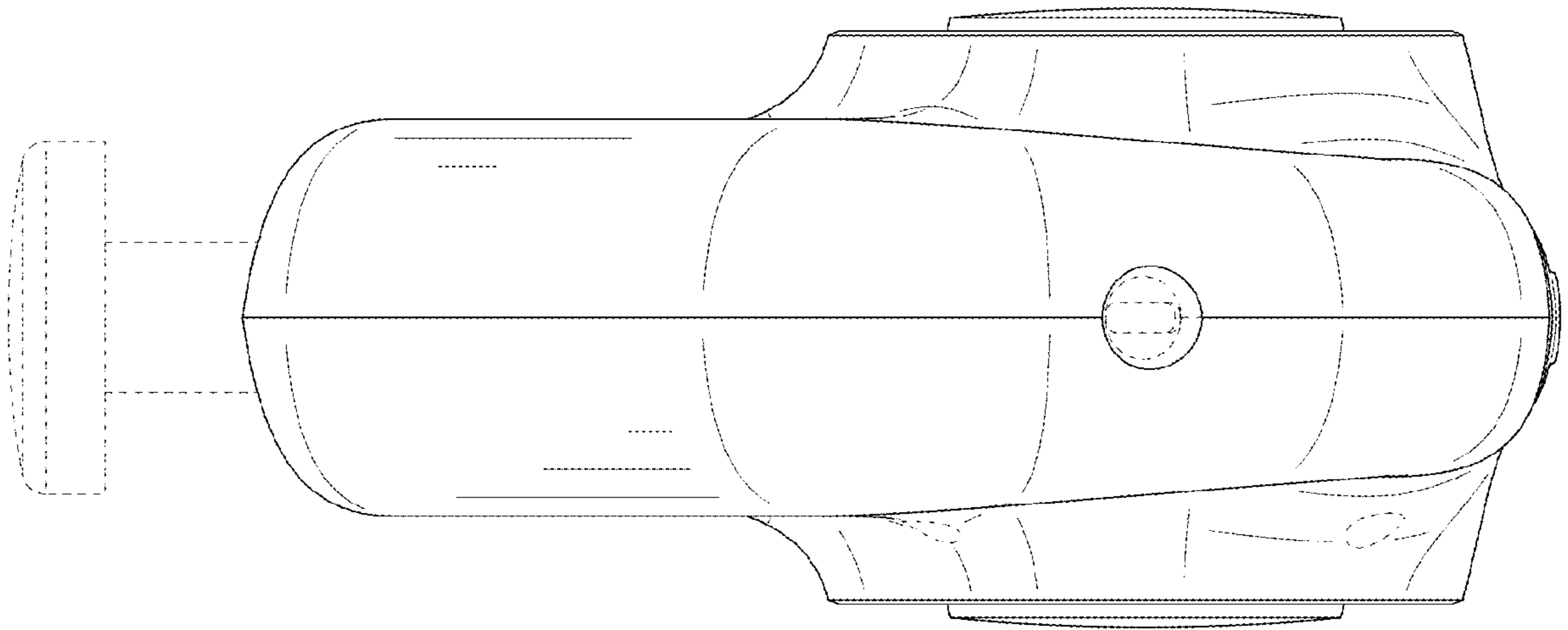


FIG. 8

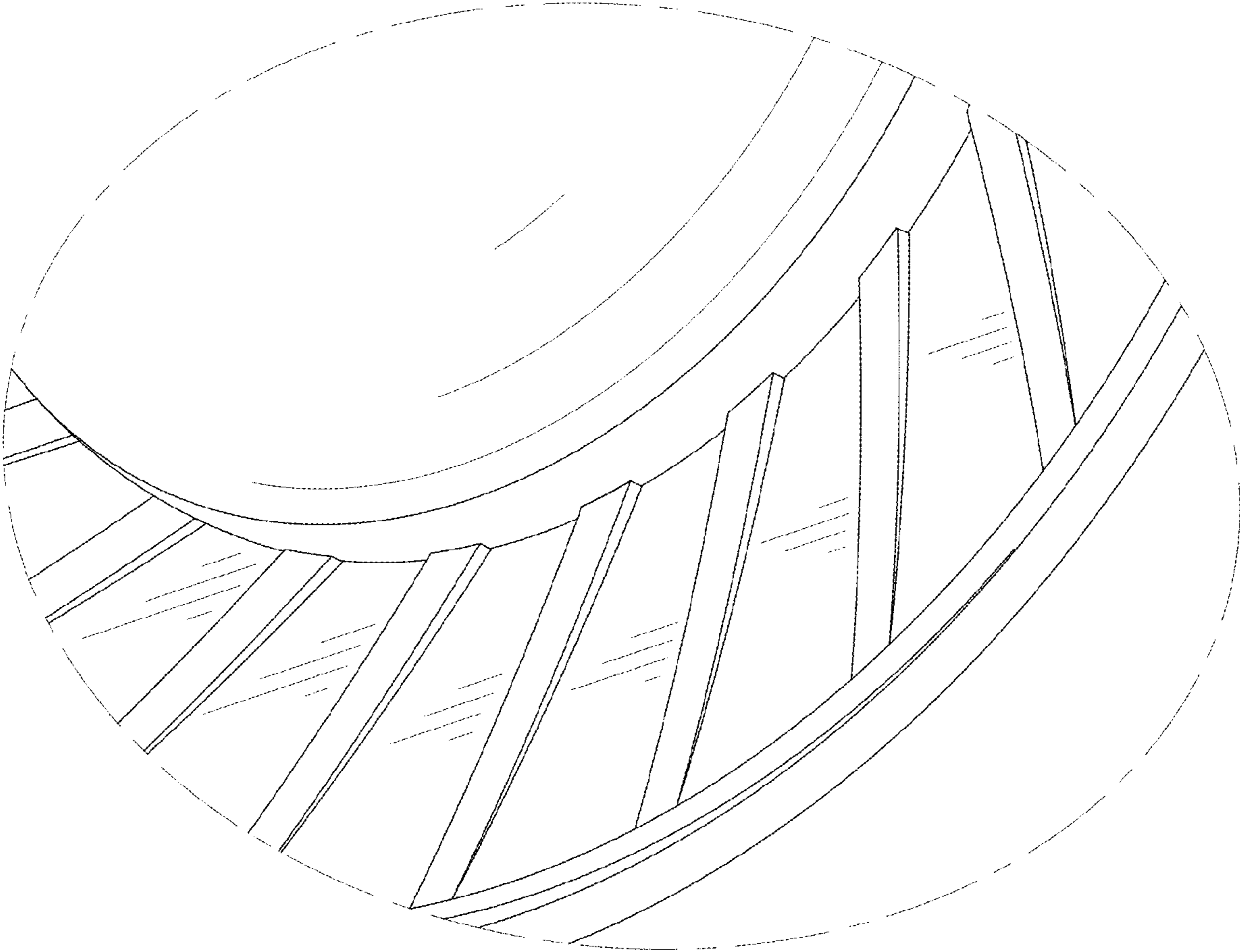


FIG. 9