



US00D930173S

(12) **United States Design Patent** (10) **Patent No.:** **US D930,173 S**  
**Zeng et al.** (45) **Date of Patent:** **\*\* Sep. 7, 2021**

(54) **HAND WARMER**

(71) Applicant: **O2COOL, LLC**, Chicago, IL (US)

(72) Inventors: **Tom Zeng**, Shenzhen (CN); **Jeff Bull**, Naperville, IL (US)

(73) Assignee: **O2COOL, LLC**, Chicago, IL (US)

(\*\*) Term: **15 Years**

(21) Appl. No.: **29/728,293**

(22) Filed: **Mar. 17, 2020**

(51) **LOC (13) Cl.** ..... **24-04**

(52) **U.S. Cl.**  
USPC ..... **D24/206**

(58) **Field of Classification Search**  
USPC ..... D24/206-208; D29/113  
CPC ..... A61F 7/00; A61F 7/007; A61F 7/0085;  
A61F 7/034; A61F 7/02; A61F  
2007/0036; A61F 2007/0085; A61F  
2007/0087

See application file for complete search history.

(56) **References Cited**

**U.S. PATENT DOCUMENTS**

D878,617 S \* 3/2020 Zhu ..... D24/206  
D911,954 S \* 3/2021 Xie ..... D24/206  
D912,261 S \* 3/2021 Tang ..... D24/206

**FOREIGN PATENT DOCUMENTS**

CN 306260224 \* 8/2020  
CN 306277142 \* 8/2020

**OTHER PUBLICATIONS**

Treva Rechargeable Hand Warmer—double Pad Portable Heated Electric Hand Warmer with Lanyard—Skillling, Hunting, Fishing, Golf, Camping Accessories, Great Wainter Gift. Oct. 13, 2020.

Retrieved on Apr. 8, 2021. Retrieved from the internet: <https://www.amazon.com/Treva-Rechargeable-Hand-Warmer-Accessories/dp/B08L5B8FQ4?th=1>.  
XGUO Rechargeable Hand Warmer, Amazon.com, retrieved on Mar. 17, 2020, from <https://www.amazon.com/XGUO-Rechargeable-Double-Side-Electric-PowerBank/dp/B07Y8FMJP4/>.  
AOMAIS Hand Warmer Rechargeable, Amazon.com, retrieved on Mar. 17, 2020, from <https://www.amazon.com/AOMAIS-Rechargeable-Electric-Double-Sided-Christmas/dp/B07YJGFQD3/>.  
Senlleo Rechargeable Hand Warmer, Amazon.com, retrieved on Mar. 17, 2020, from <https://www.amazon.com/Senlleo-Rechargeable-Warmer-5200mAh-Power/dp/B077VK92Q3/>.

\* cited by examiner

*Primary Examiner* — Wan Laymon

(74) *Attorney, Agent, or Firm* — Thompson Coburn LLP

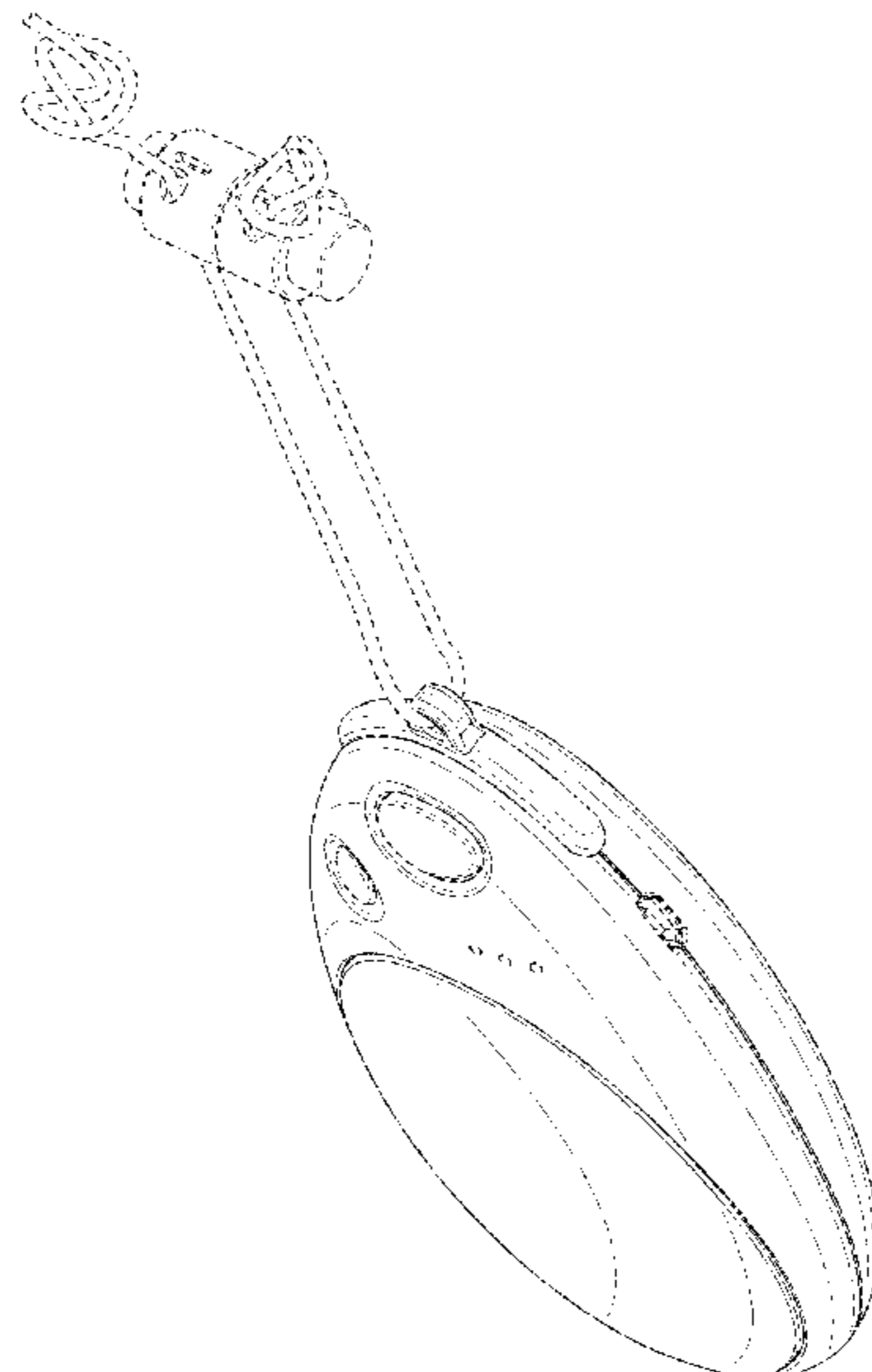
(57) **CLAIM**

The ornamental design for the hand warmer, as shown and described.

**DESCRIPTION**

FIG. 1 is a front perspective view of the hand warmer showing our new design;  
FIG. 2 is a right side view thereof;  
FIG. 3 is a left side view thereof;  
FIG. 4 is a front view thereof;  
FIG. 5 is a rear view thereof;  
FIG. 6 is a top view thereof;  
FIG. 7 is a bottom view thereof; and,  
FIG. 8 is a rear perspective view thereof.  
The broken line shown in the drawings are included for the purpose of illustrating portions and environmental elements of the hand warmer and forms no part of the claimed design. The strap element, which is disclaimed and forms no part of the claimed design, is not shown in FIG. 6 for ease of illustration and so as to not obstruct any part of the claimed design.

**1 Claim, 8 Drawing Sheets**



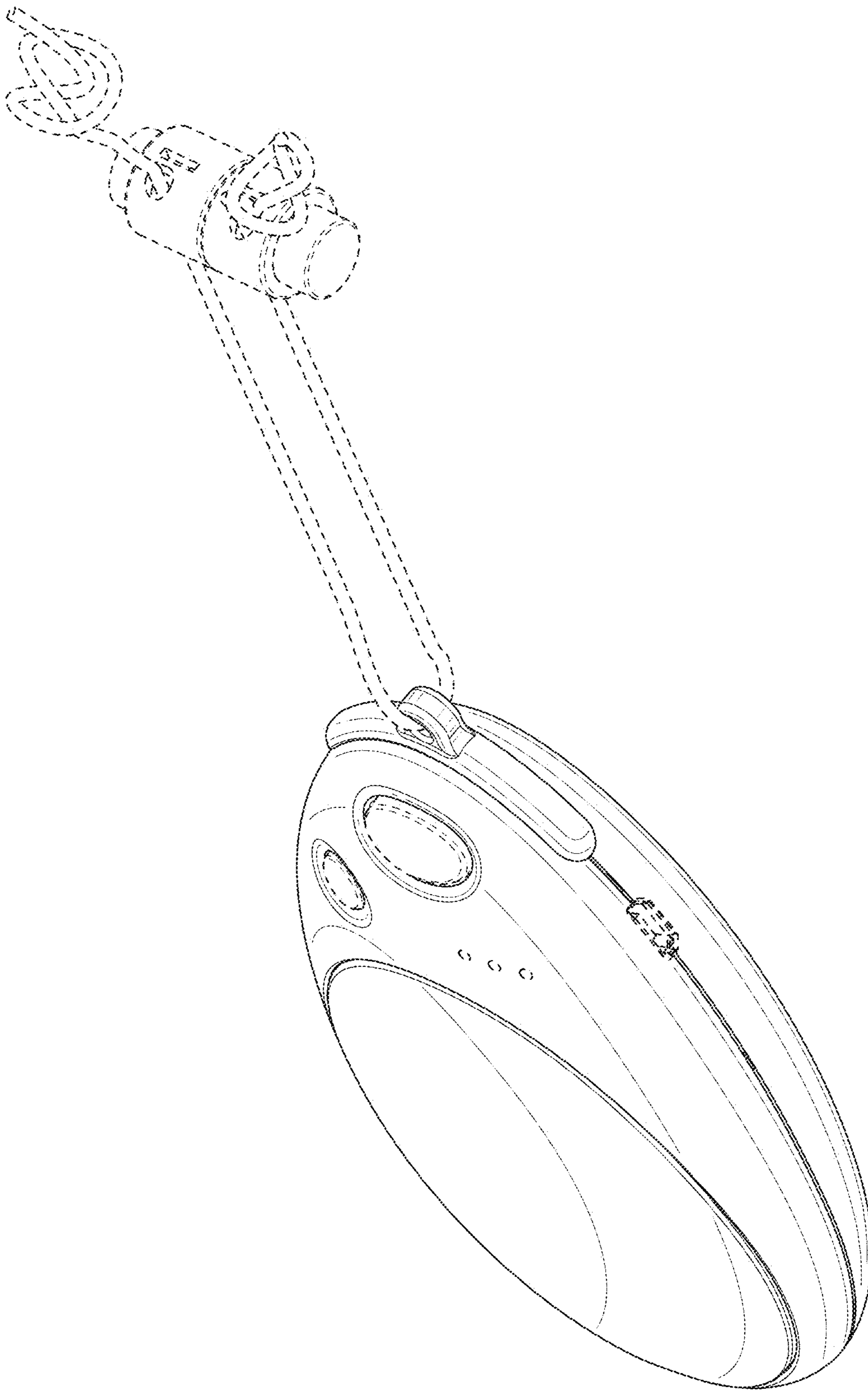


FIG. 1

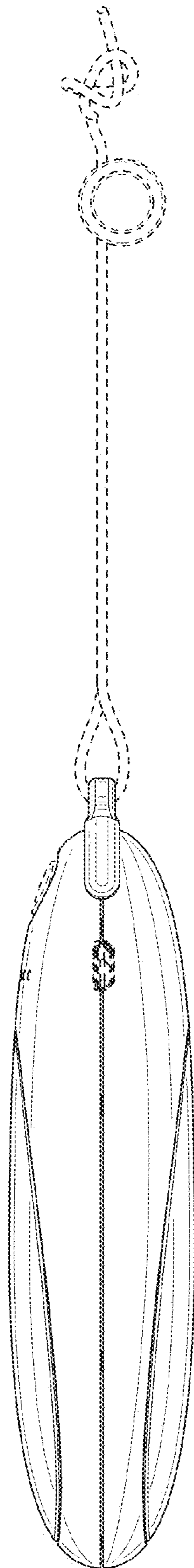


FIG. 2

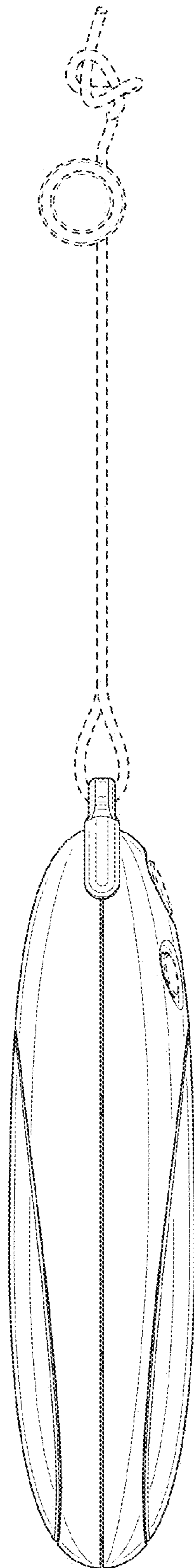


FIG. 3

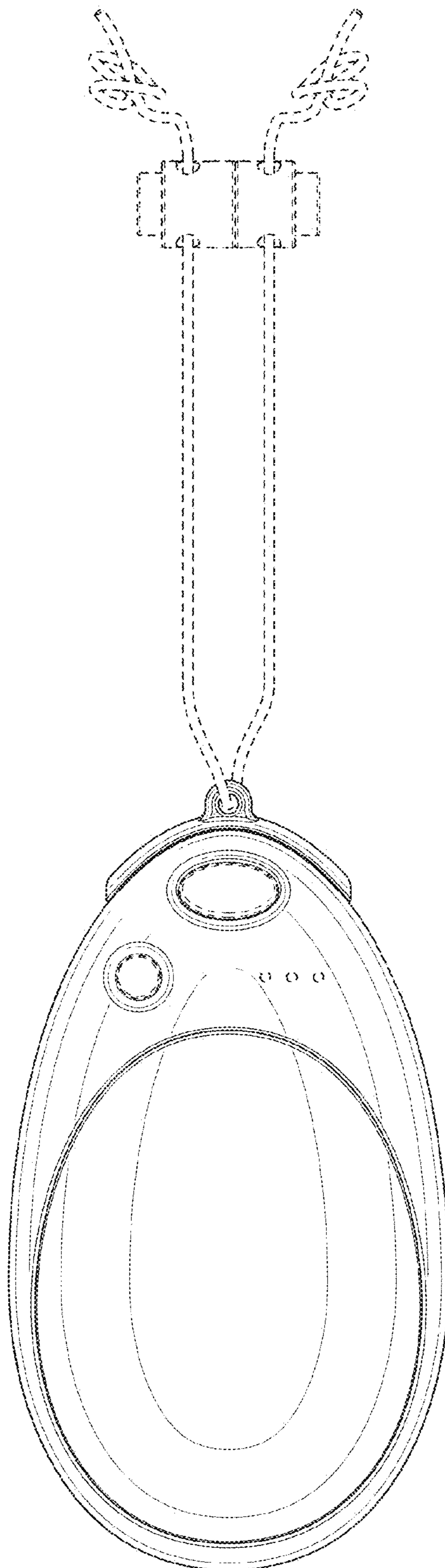


FIG. 4

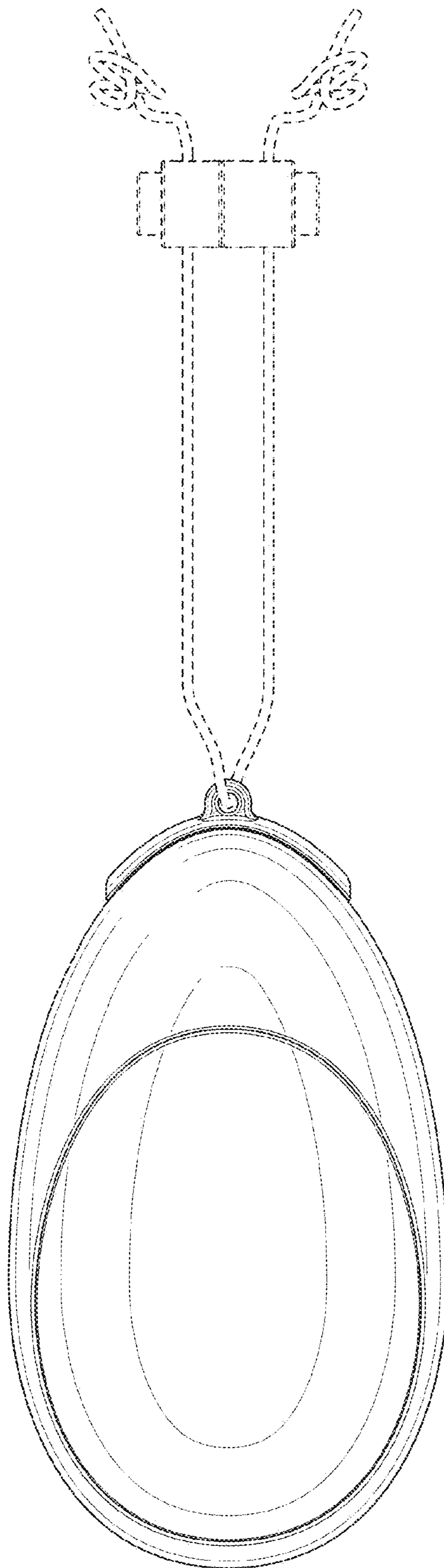


FIG. 5

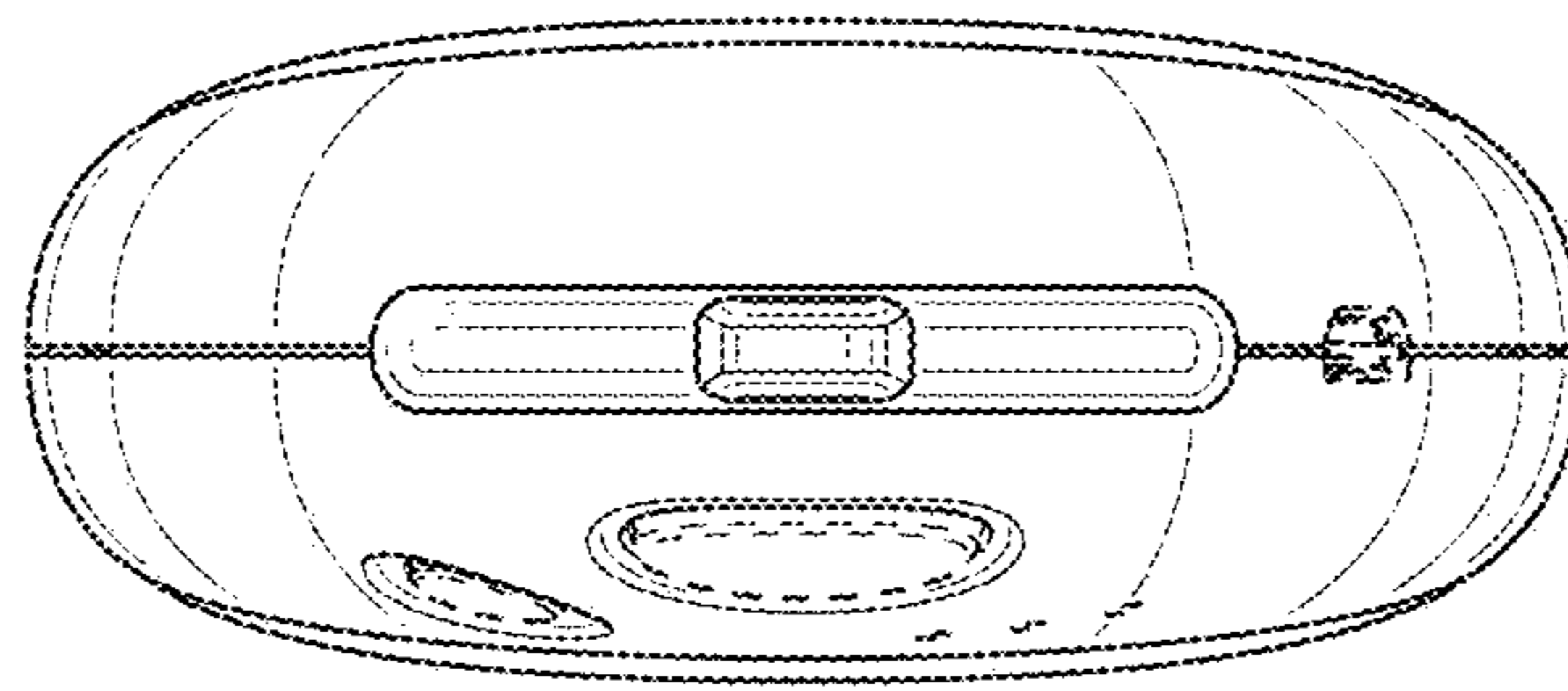


FIG. 6

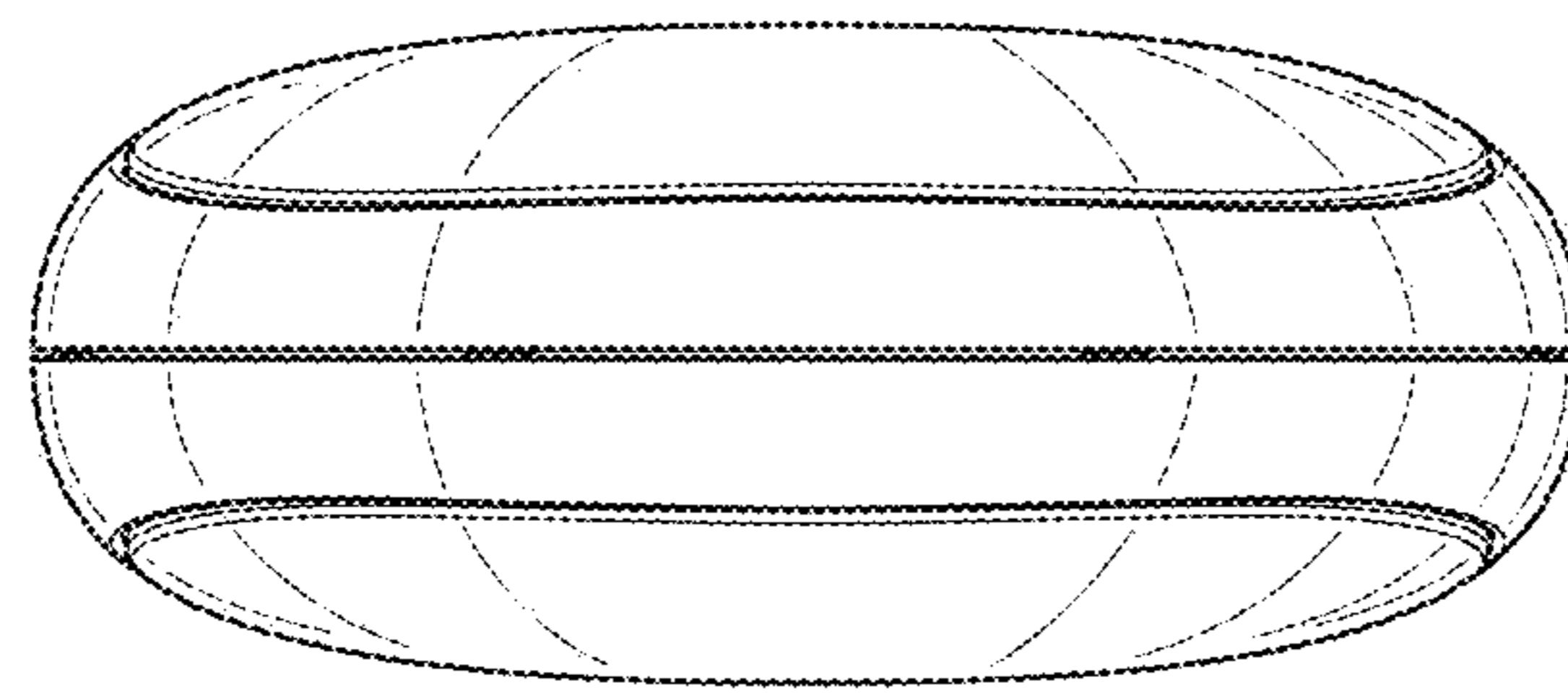


FIG. 7



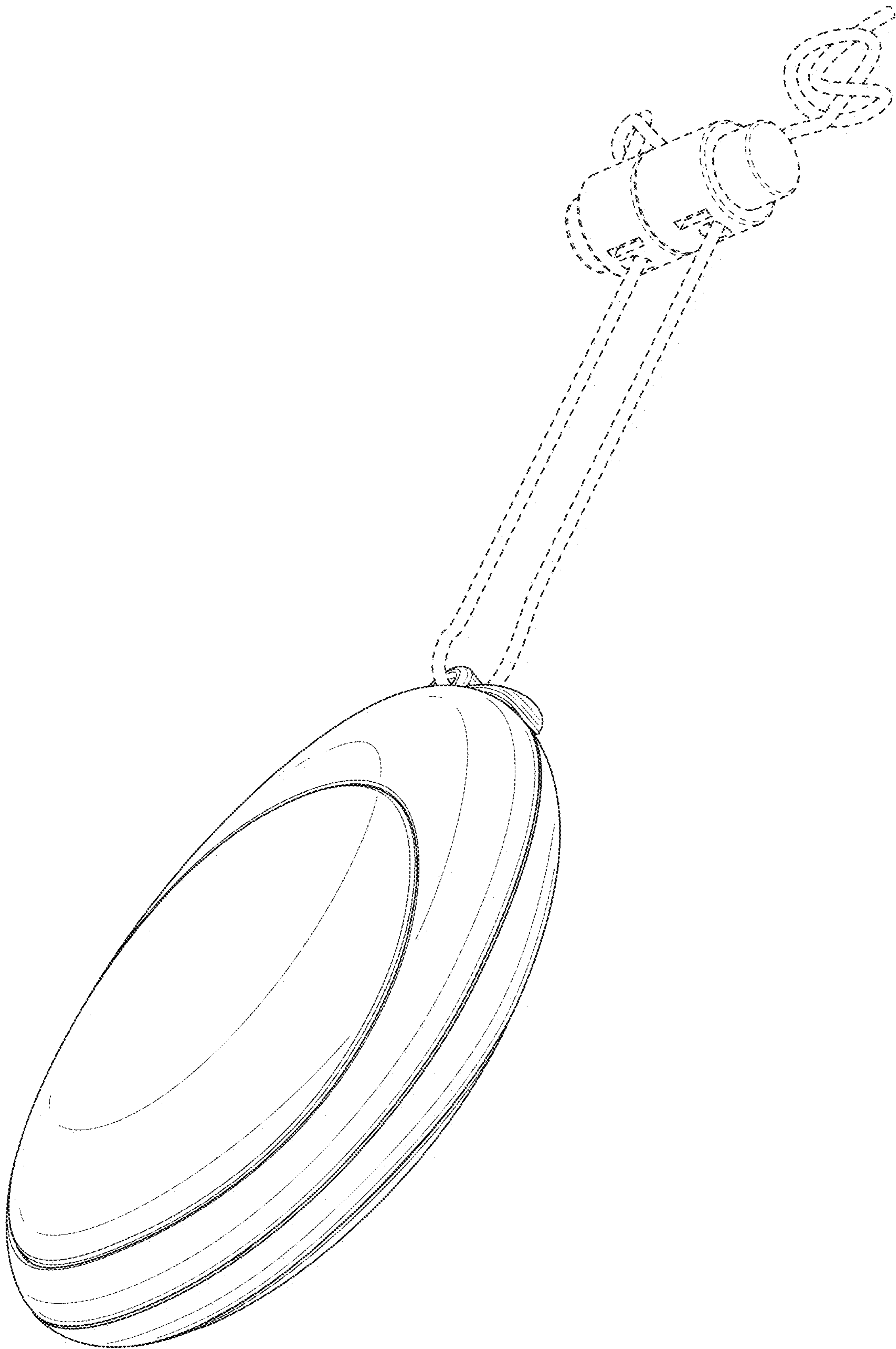


FIG. 8