



US00D930171S

(12) **United States Design Patent**
Lowsky

(10) **Patent No.: US D930,171 S**

(45) **Date of Patent: ** Sep. 7, 2021**

(54) **TEETHER**

(71) Applicant: **LullaBites, LLC**, Columbia, SC (US)

(72) Inventor: **Rebecca E. Lowsky**, Columbia, SC (US)

(73) Assignee: **Lullabites, LLC**, Columbia, SC (US)

(**) Term: **15 Years**

(21) Appl. No.: **29/734,527**

(22) Filed: **May 13, 2020**

(51) **LOC (13) Cl.** **24-04**

(52) **U.S. Cl.**
USPC **D24/195**

(58) **Field of Classification Search**

USPC D24/193, 194, 195, 208, 214; D30/160;
D1/106, 107, 110, 115, 125; D21/483,
D21/496, 532, 576, 603, 615, 622, 650
CPC A61J 17/02; A61J 17/111; A61J 2200/44
See application file for complete search history.

(56) **References Cited**

U.S. PATENT DOCUMENTS

D373,450	S	*	9/1996	O'Rourke	D30/160
D617,232	S	*	6/2010	Castaline	D11/67
D701,852	S	*	4/2014	Park	D14/207
D724,235	S	*	3/2015	Kuneyl	D24/194
D768,303	S	*	10/2016	Pauschitz	D24/195
D845,495	S	*	4/2019	Hayes	D24/195
D882,190	S	*	4/2020	Bruxvoort	D30/160
D889,067	S	*	7/2020	Chu	D24/194
D901,126	S	*	11/2020	Luo	D1/115
D912,834	S	*	3/2021	Lowsky	D24/195
2009/0287247	A1	*	11/2009	Chipperson	A61J 11/00 606/235
2012/0283774	A1	*	11/2012	Cudworth	A61J 17/02 606/235
2014/0243895	A1	*	8/2014	Kellogg	A63H 33/006 606/235

OTHER PUBLICATIONS

“YNGLLC: Acorn Nut Cookie Cutter”. Found online May 11, 2021 at amazon.co.uk. Reference dated Dec. 13, 2017. Retrieved from https://www.amazon.co.uk/OAKNUT-SQUIRRELS-SPECIAL-OCCASION-PRINTED/dp/B084ZF2N4Q/ref=sr_1_21?*

“Manhattan Camp: Acorn Zip & Play Teether”. Found online May 11, 2021 at klubhouseforkids.ca. Reference dated Feb. 18, 2017. Retrieved from <https://www.klubhouseforkids.ca/products/manhattan-camp-acorn-zip-play-teether>.*

“Logan & Alice: Pineapple Teether”. Found online Aug. 31, 2020 at facebook.com. Reference dated Jan. 16, 2017. Retrieved from <https://www.facebook.com/Loganandalice/photos/a.1540530302938652/1787538584904488/?type=3>.*

“Logan & Alice: Teepee Teether”. Found online Aug. 31, 2020 at facebook.com. Reference dated Oct. 13, 2016. Retrieved from <https://www.facebook.com/Loganandalice/photos/a.1540530302938652/1724128054578875/?type=3>.*

* cited by examiner

Primary Examiner — Kendra Leslie Hamilton

(74) *Attorney, Agent, or Firm* — Nelson Mullins Riley & Scarborough LLP

(57) **CLAIM**

The ornamental design for a teether, substantially as shown and described.

DESCRIPTION

FIG. 1 is a bottom, front, right perspective view of a teether, showing my new design;

FIG. 2 is a front elevation view thereof;

FIG. 3 is a back elevation view thereof;

FIG. 4 is a left side elevation view thereof;

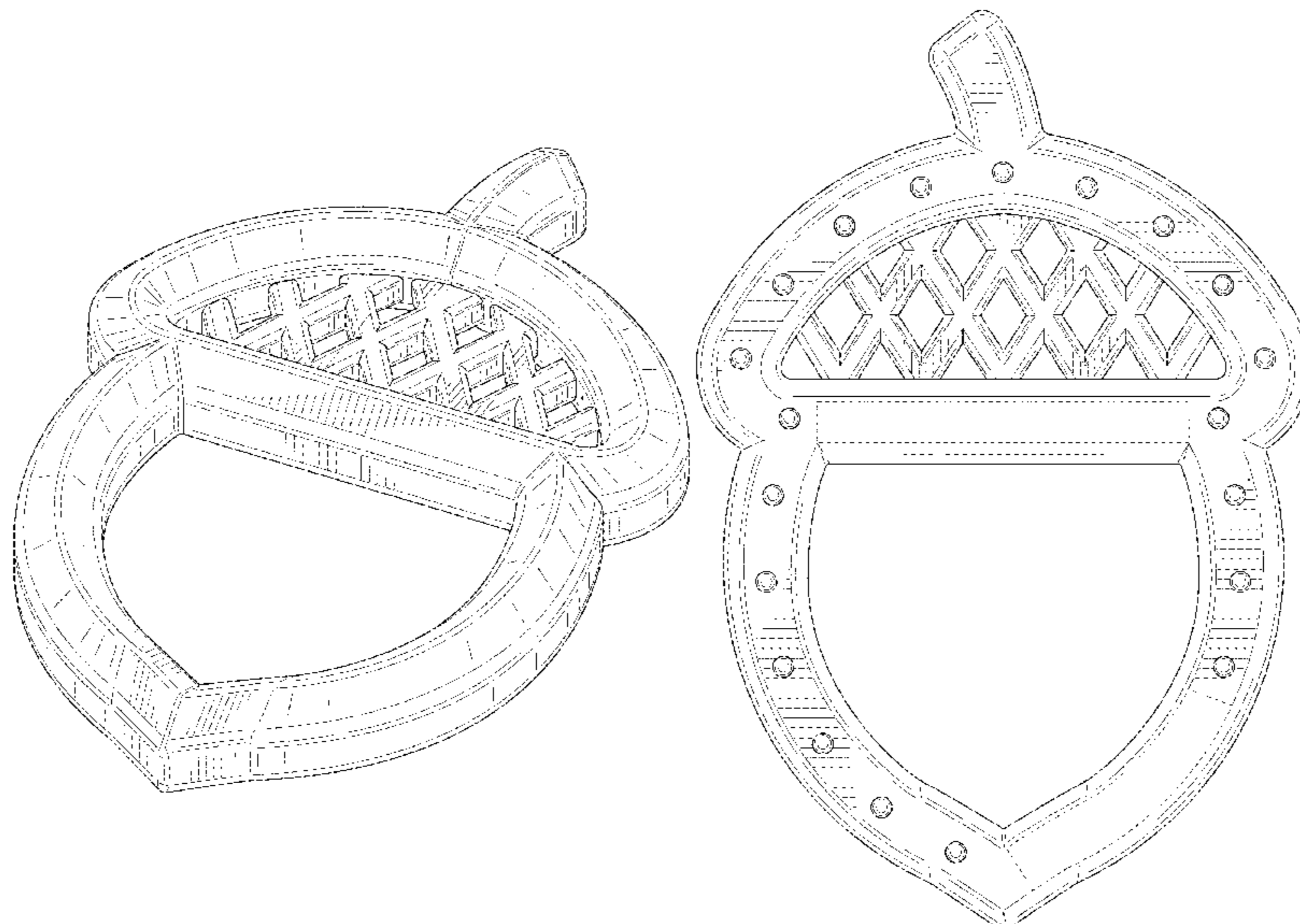
FIG. 5 is a right side elevation view thereof;

FIG. 6 is a top plan view thereof; and,

FIG. 7 is a bottom plan view thereof.

The broken lines in FIG. 3 depict portions of the teether that form no part of the claimed design.

1 Claim, 5 Drawing Sheets



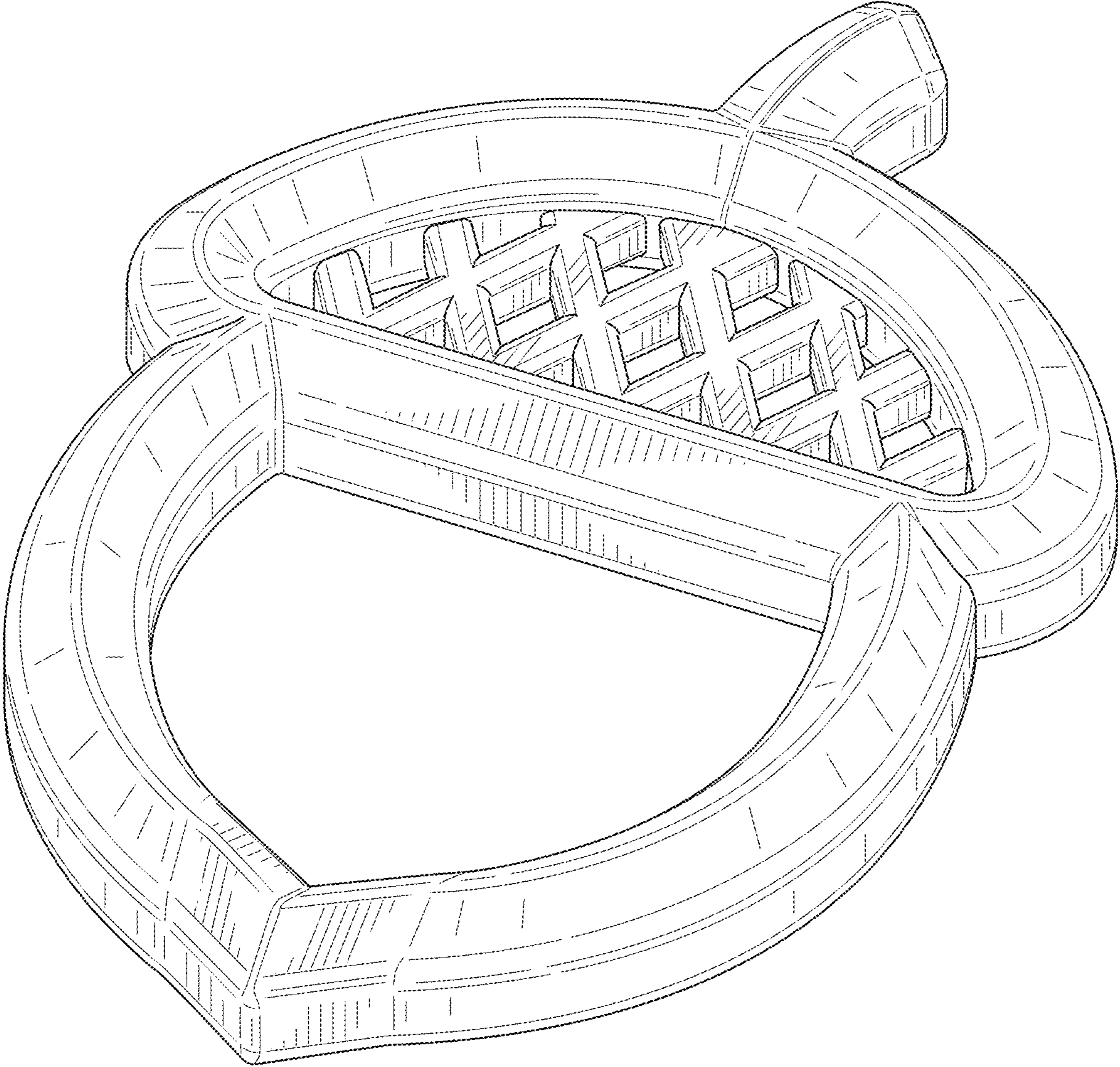


FIG. 1

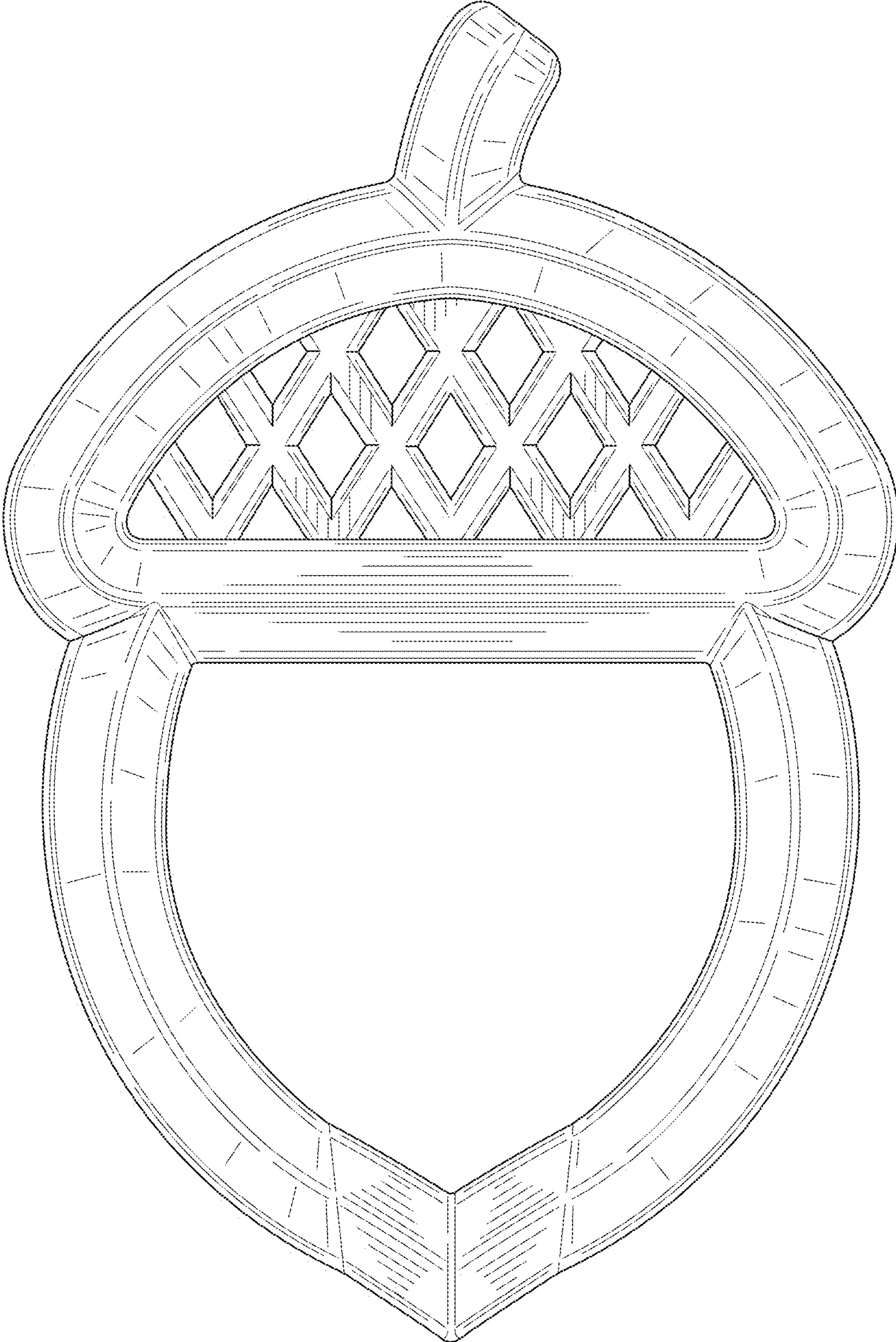


FIG. 2

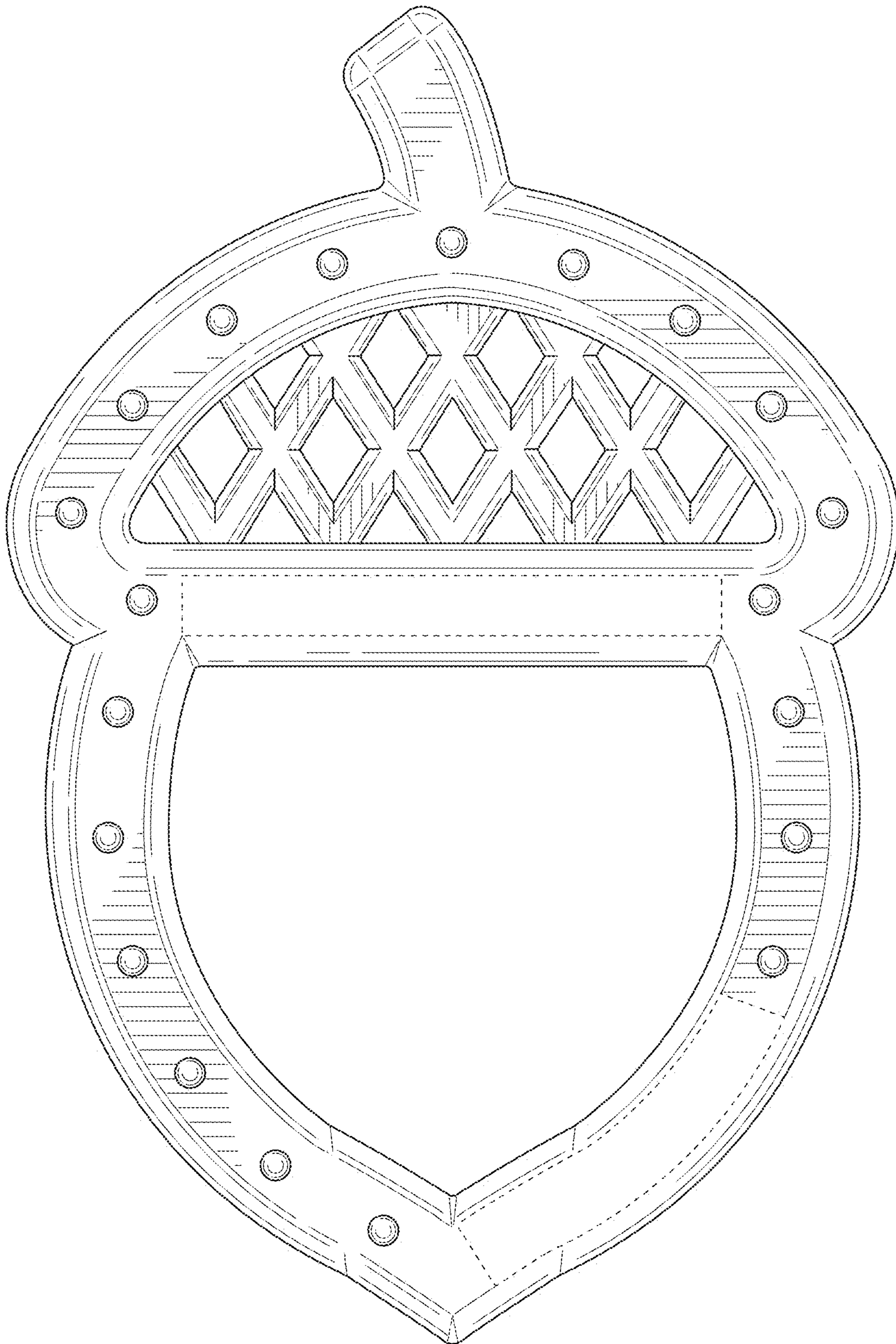


FIG. 3

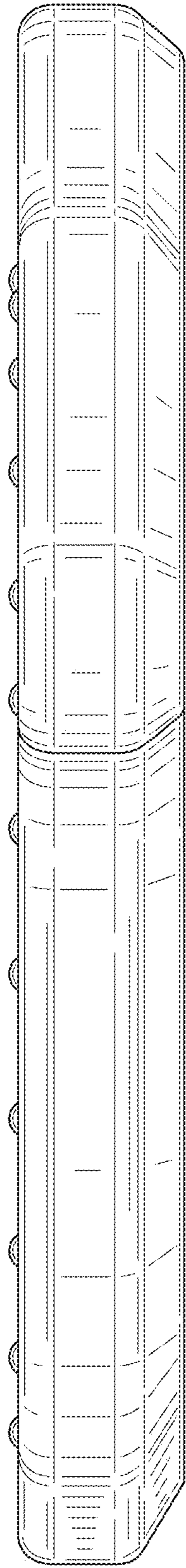


FIG. 4

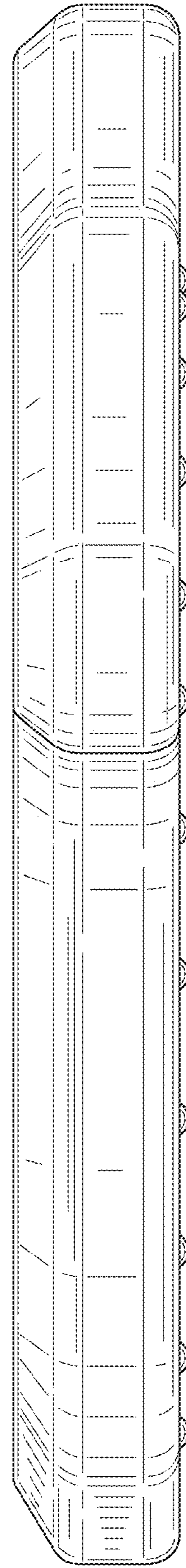


FIG. 5

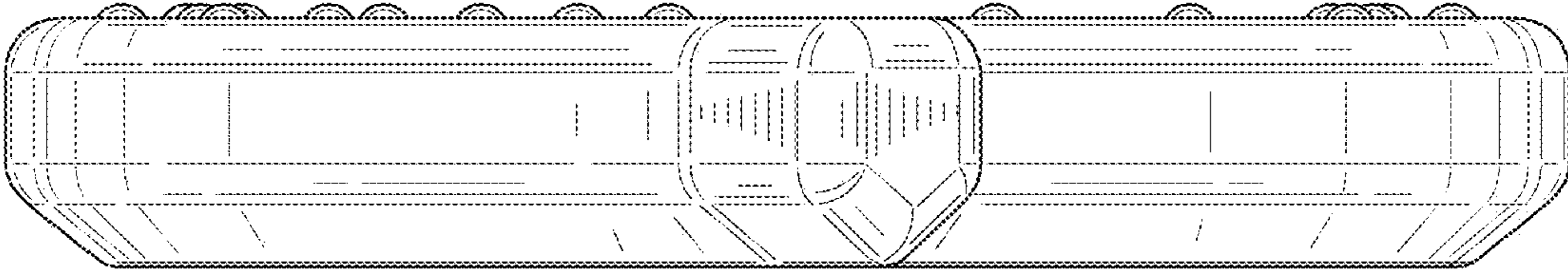


FIG. 6

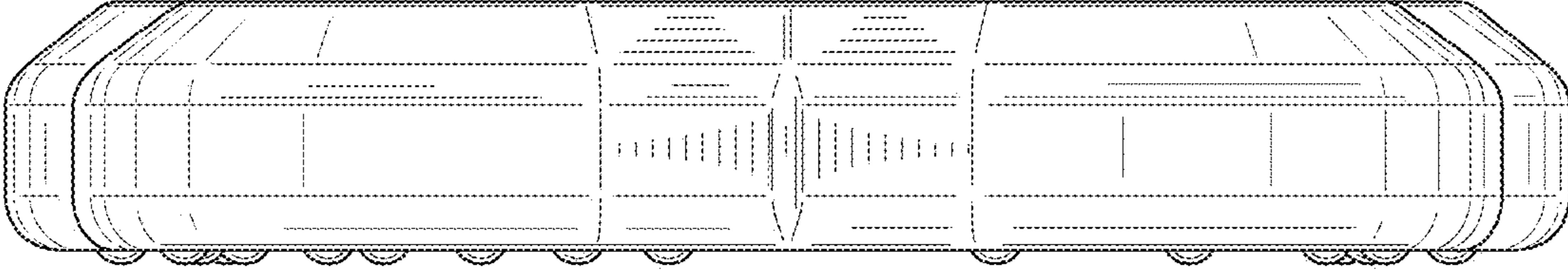


FIG. 7