



US00D930169S

(12) **United States Design Patent** (10) **Patent No.:** **US D930,169 S**  
**Lowsky** (45) **Date of Patent:** **\*\* Sep. 7, 2021**

(54) **TEETHER**  
(71) Applicant: **LullaBites, LLC**, Columbia, SC (US)  
(72) Inventor: **Rebecca E. Lowsky**, Columbia, SC (US)  
(73) Assignee: **Lullabites, LLC**, Columbia, SC (US)  
(\*\*) Term: **15 Years**  
(21) Appl. No.: **29/734,524**  
(22) Filed: **May 13, 2020**  
(51) **LOC (13) Cl.** ..... **24-04**  
(52) **U.S. Cl.**  
USPC ..... **D24/195**  
(58) **Field of Classification Search**  
USPC ..... D24/193, 194, 195, 208, 214; D30/160;  
D1/106, 107, 110, 115, 125; D21/483,  
D21/496, 532, 576, 603, 615, 622, 650  
CPC ..... A61J 17/02; A61J 17/111; A61J 2200/44  
See application file for complete search history.

(56) **References Cited**

**U.S. PATENT DOCUMENTS**

2,115,405	A *	4/1938	Allen	.....	A61J 17/02 606/235
D325,804	S *	5/1992	Meyers, Jr.	.....	D1/109
D373,450	S *	9/1996	O'Rourke	.....	D30/160
D687,954	S *	8/2013	Dallman	.....	D24/194
D721,439	S *	1/2015	Swartz	.....	D24/194
D722,419	S *	2/2015	Rogers	.....	D1/199
D724,235	S *	3/2015	Kuneyl	.....	D24/194
D799,150	S *	10/2017	Vielot	.....	D1/106
D889,067	S *	7/2020	Chu	.....	D24/194
D901,126	S *	11/2020	Luo	.....	D1/115
D912,834	S *	3/2021	Lowsky	.....	D24/195
2009/0287247	A1 *	11/2009	Chipperson	.....	A61J 11/00 606/235
2012/0283774	A1 *	11/2012	Cudworth	.....	A61J 17/02 606/235

**OTHER PUBLICATIONS**

"Mushie Teether: Rainbow & Sun Teethers". Found online May 11, 2021 at amazon.com. Reference dated Nov. 25, 2020. Retrieved

from [https://www.amazon.com/mushie-Silicone-Teether-Rainbow-Cambridge/dp/B08LCZ33NS/ref=cm\\_cr\\_arp\\_d\\_product\\_top?ie=UTF8&th=1](https://www.amazon.com/mushie-Silicone-Teether-Rainbow-Cambridge/dp/B08LCZ33NS/ref=cm_cr_arp_d_product_top?ie=UTF8&th=1).  
"Doddle & Co: The Chew—Sun, Rain Poppable Teethers". Found online Mar. 22, 2019 at facebook.com. Reference dated Jun. 15, 2018. Retrieved from [https://www.facebook.com/AlbeeBaby/photos/new!-@\[913528108695826:274:doddle-&-co\]-the/1923850760988026/](https://www.facebook.com/AlbeeBaby/photos/new!-@[913528108695826:274:doddle-&-co]-the/1923850760988026/).  
"Itzy Ritzy: Teething Ball & Training Toothbrush". Found online Jan. 21, 2020 at amazon.com. Reference dated Jan. 16, 2019. Retrieved from [https://www.amazon.com/Itzy-Ritzy-Teething-Training-Toothbrush/dp/B07M7D6PY3/ref=cm\\_cr\\_arp\\_d\\_product\\_top?ie=UTF8&th=1](https://www.amazon.com/Itzy-Ritzy-Teething-Training-Toothbrush/dp/B07M7D6PY3/ref=cm_cr_arp_d_product_top?ie=UTF8&th=1).  
"Little Teether: Rainbow Teethers". Found online Mar. 21, 2019 at instagram.com. Reference dated Oct. 1, 2018. Retrieved from <https://www.instagram.com/p/BoaLOWsGZXU/>.  
Co-pending design U.S. Appl. No. 29/734,525, filed May 13, 2020, all enclosed pages cited.

\* cited by examiner

*Primary Examiner* — Kendra Leslie Hamilton  
(74) *Attorney, Agent, or Firm* — Nelson Mullins Riley & Scarborough LLP

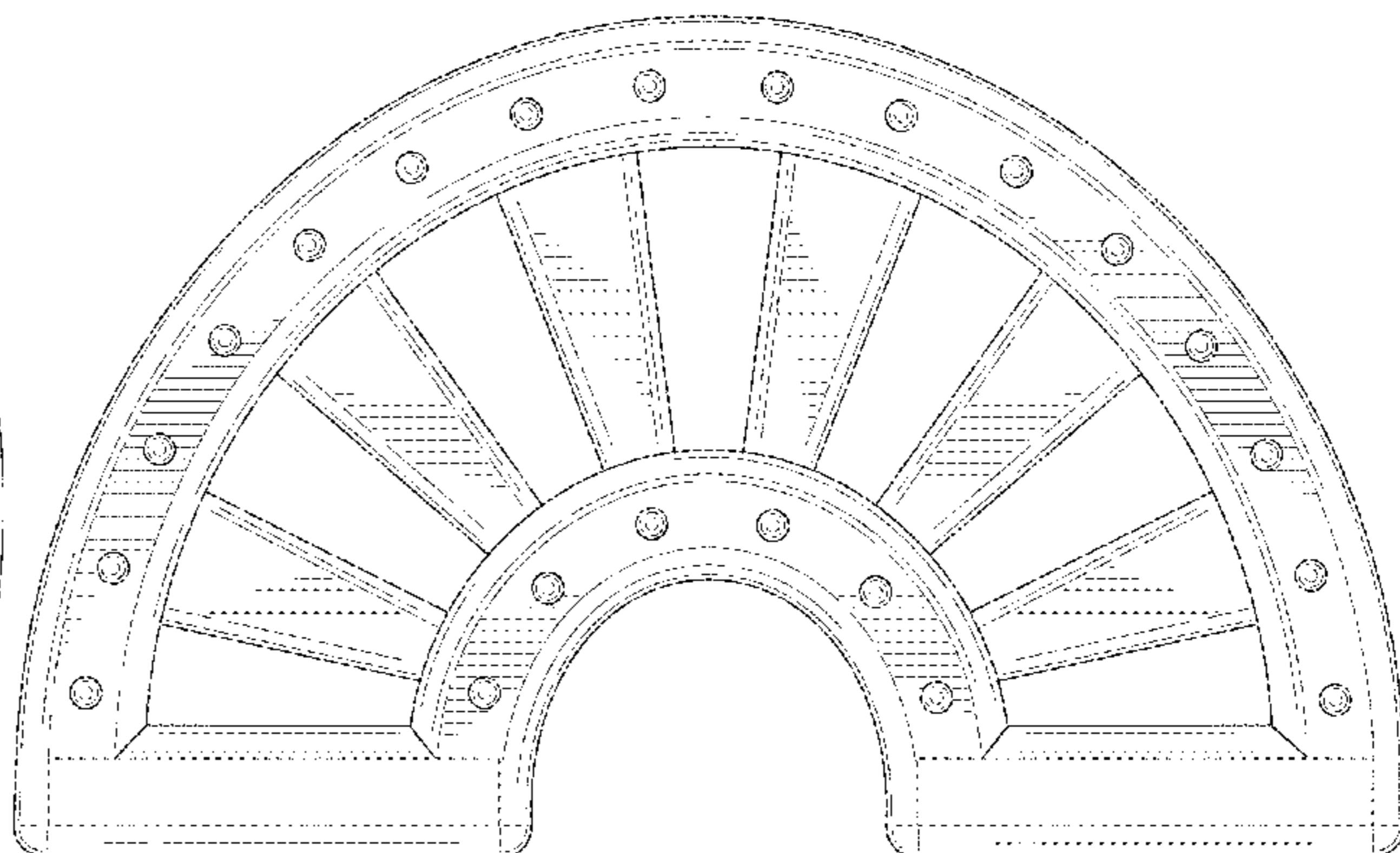
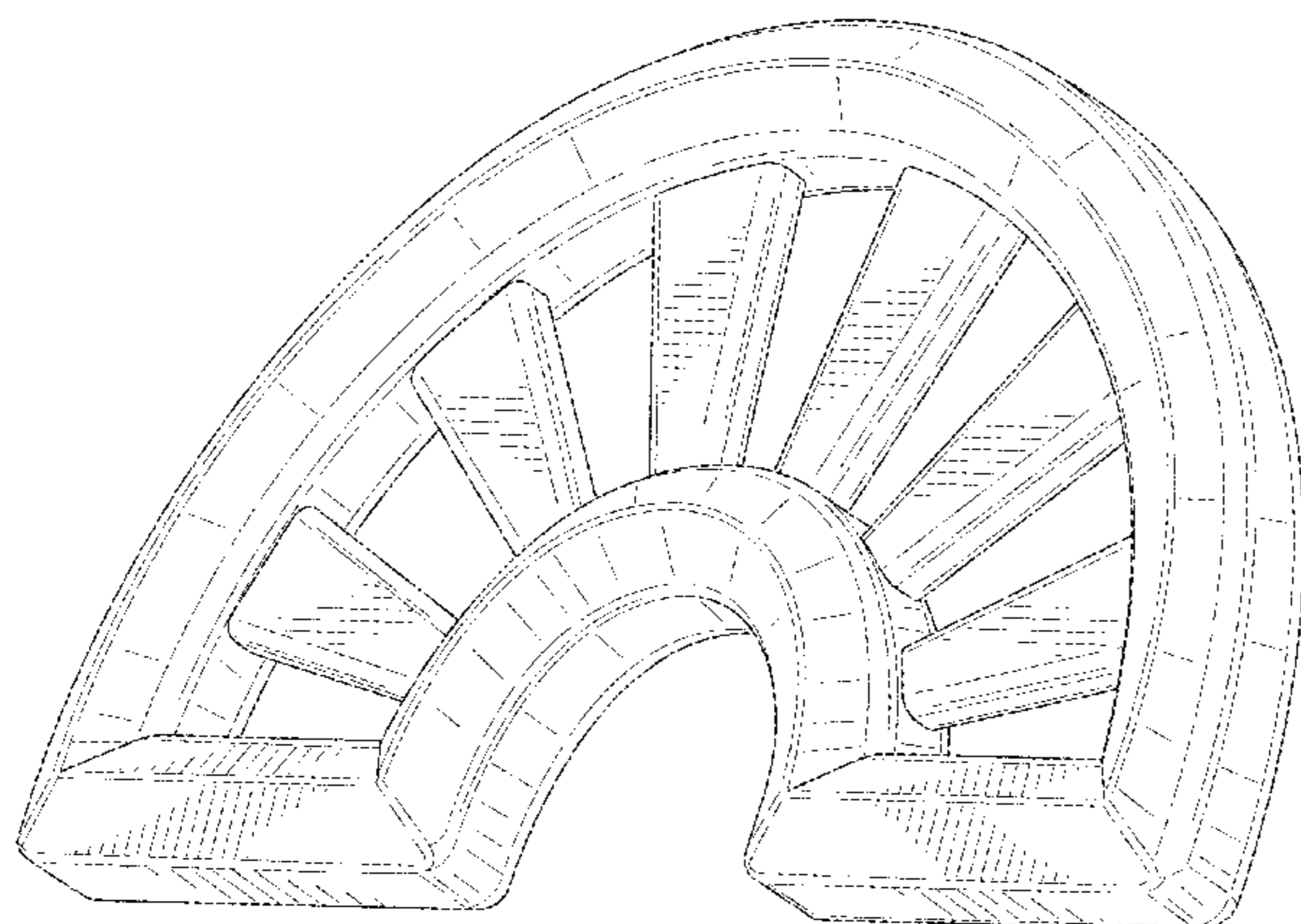
(57) **CLAIM**

The ornamental design for a teether, substantially as shown and described.

**DESCRIPTION**

FIG. 1 is a bottom, front, right perspective view of a teether, showing my new design;  
FIG. 2 is a front elevation view thereof;  
FIG. 3 is a back elevation view thereof;  
FIG. 4 is a top plan view thereof;  
FIG. 5 is a bottom plan view thereof;  
FIG. 6 is a right side elevation view thereof; and,  
FIG. 7 is a left side elevation view thereof.  
The broken lines in FIG. 3 depict portions of the teether that form no part of the claimed design.

**1 Claim, 5 Drawing Sheets**



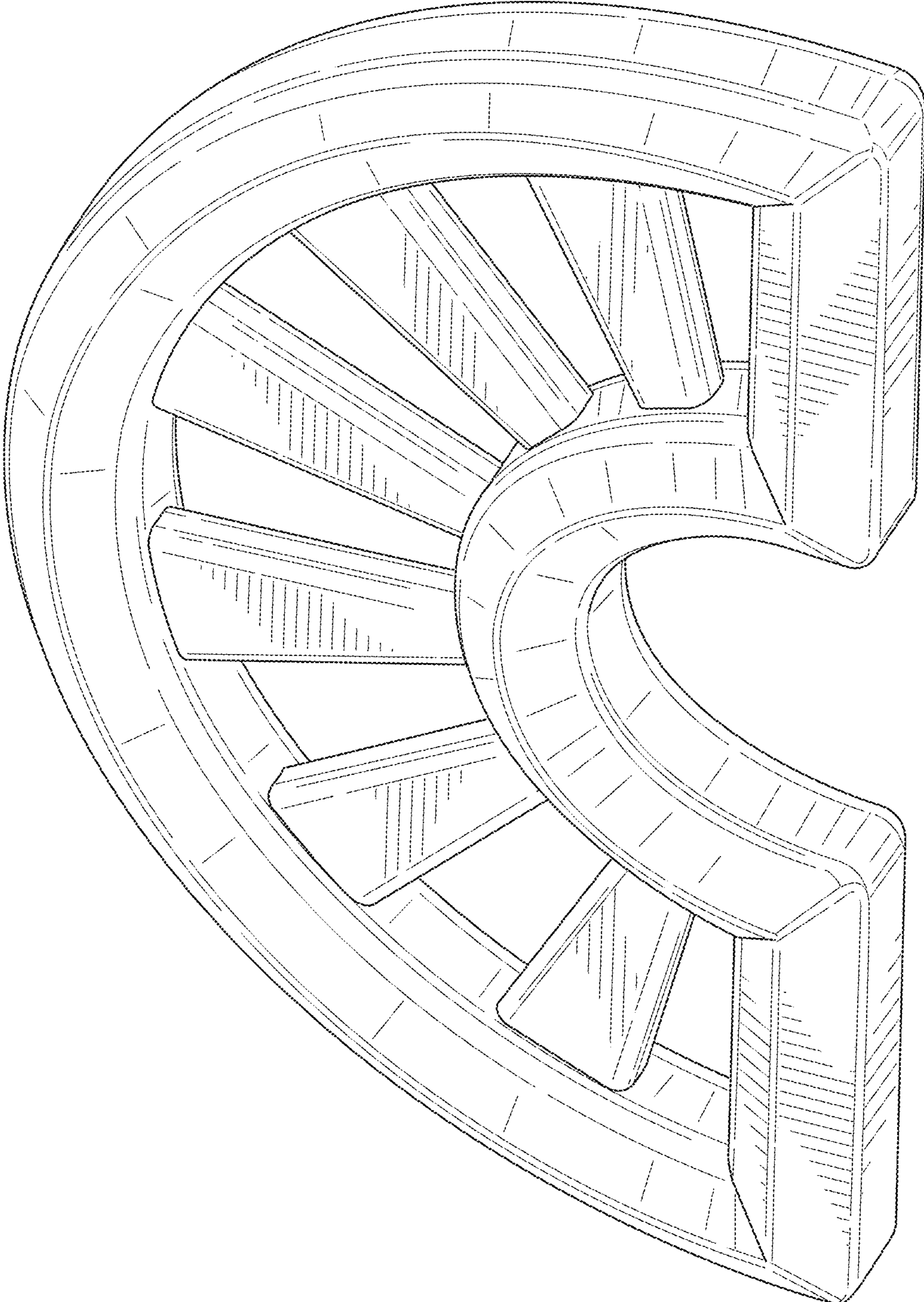


FIG. 1

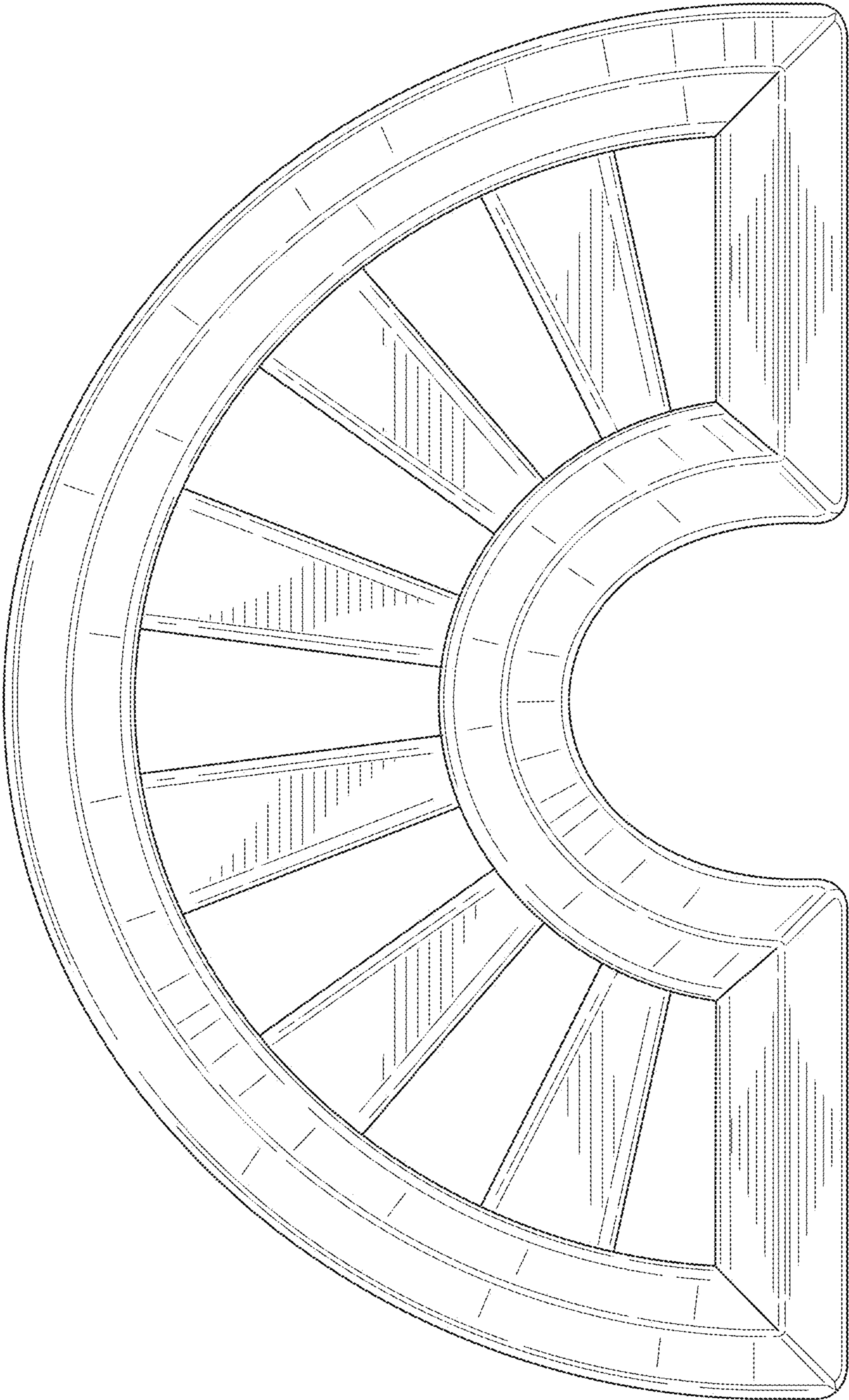


FIG. 2

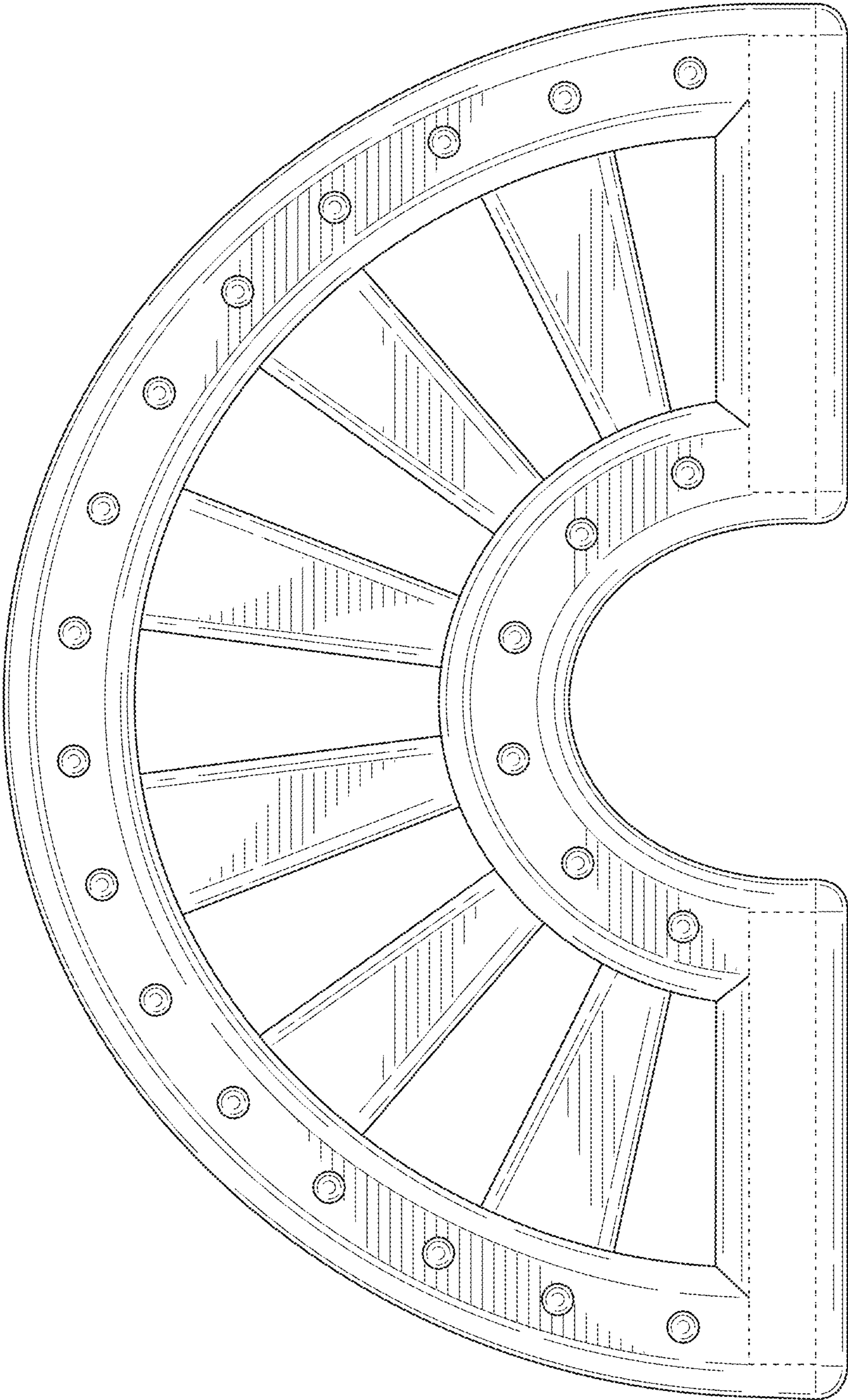


FIG. 3

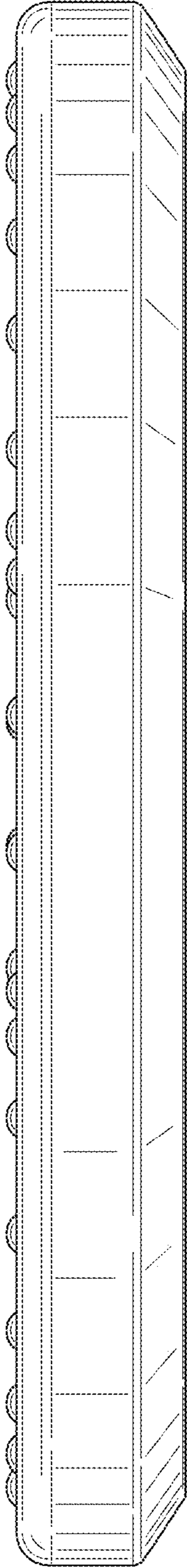


FIG. 4

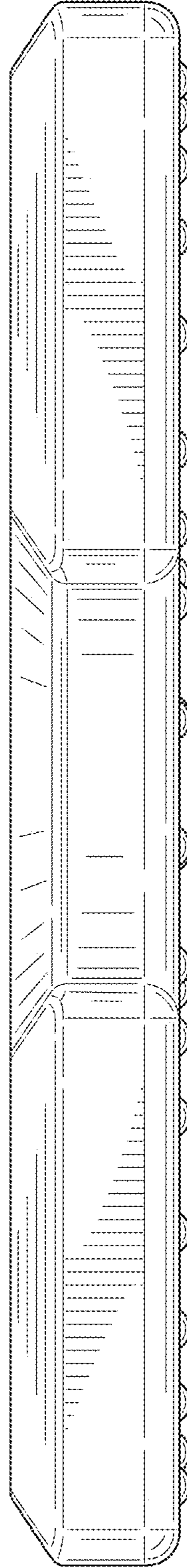


FIG. 5

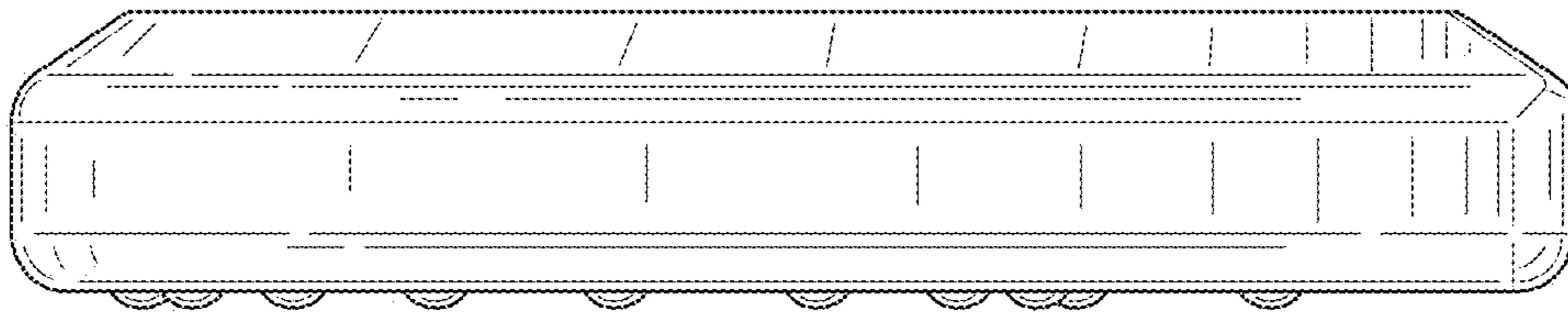


FIG. 7

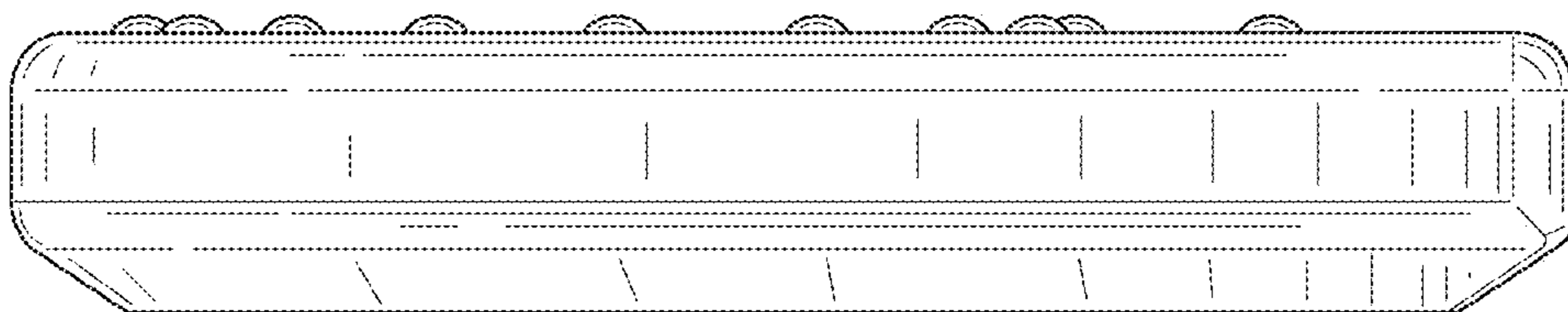


FIG. 6