



US00D930168S

(12) **United States Design Patent** (10) **Patent No.:** **US D930,168 S**  
**Salinas et al.** (45) **Date of Patent:** **\*\* Sep. 7, 2021**

(54) **FINGER BRACE**

(71) Applicants: **Fernando Salinas**, Baytown, TX (US);  
**Dorothy Salinas**, Baytown, TX (US)

(72) Inventors: **Fernando Salinas**, Baytown, TX (US);  
**Dorothy Salinas**, Baytown, TX (US)

(\*\*) Term: **15 Years**

(21) Appl. No.: **29/697,600**

(22) Filed: **Jul. 10, 2019**

(51) **LOC (13) Cl.** ..... **24-01**

(52) **U.S. Cl.**  
USPC ..... **D24/190**

(58) **Field of Classification Search**  
USPC ..... D24/186-190, 200, 206, 215; D29/100,  
D29/113, 114

CPC ..... A61F 2/586; A61F 2/58  
See application file for complete search history.

(56) **References Cited**

**U.S. PATENT DOCUMENTS**

3,170,460	A	2/1965	Stilson	
D228,004	S	7/1973	Riccio et al.	
4,297,992	A	11/1981	LaRue et al.	
D335,938	S *	5/1993	Kam	D24/190
5,232,436	A	8/1993	Janevski	
D351,257	S	10/1994	Roberts et al.	
D461,283	S *	8/2002	Sams	D29/114
6,575,925	B1	6/2003	Noble	
D546,954	S	7/2007	Takasaka	
D655,049	S	2/2012	Hepper	
D665,089	S	8/2012	Brown	
D888,257	S *	6/2020	Larouche	D24/190
D888,260	S *	6/2020	Park	D24/190
D897,544	S *	9/2020	Abecasis	D24/188
2017/0020691	A1 *	1/2017	Thompson, Jr.	A61F 2/586

**OTHER PUBLICATIONS**

Made in China. Spring-Coil Finger Extension Splint-HK-C023. Dec. 19, 2019. <https://www.made-in-china.com/showroom/hkjd02/product-detailPsqmpZjHbnkA/China-Spring-Coil-Finger-Extension-Splint-HK-C023.html> (Year: 2019).\*

Health Products For You. Breg DUO Knee Brace. No date specified, <https://www.healthproductsforyou.com/p-breg-duo-knee-brace.html> (Year: 0).\*

Zaksy. Zaksy Patella Stabilizing Dual Knee Brace V2.0. No date specified, <https://zaksy.com/products/zaksy-patella-stabilizing-dual-knee-strap-v2> (Year: 0).\*

\* cited by examiner

*Primary Examiner* — Darcey E Gottschalk

(74) *Attorney, Agent, or Firm* — Suzanne Kikel, Patent Agent

(57) **CLAIM**

The ornamental design for a finger brace, as shown and described.

**DESCRIPTION**

FIG. 1 is a front perspective view of a finger brace, showing our new design.

FIG. 2 is a front perspective view of a second embodiment of a finger brace.

FIG. 3 is a left side elevational view of the finger brace of FIG. 1.

FIG. 4 is a right side elevational view thereof.

FIG. 5 is a front elevational view thereof.

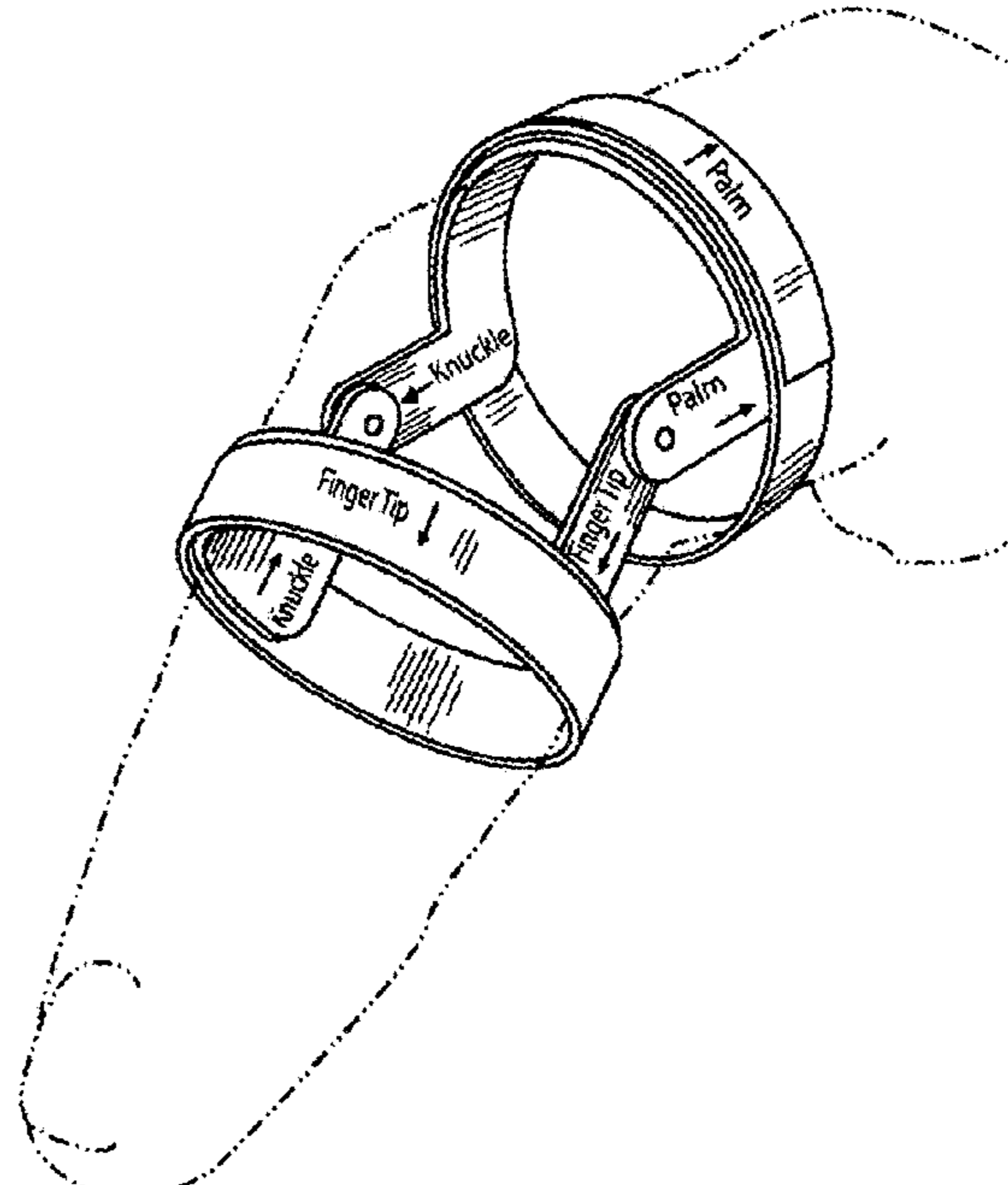
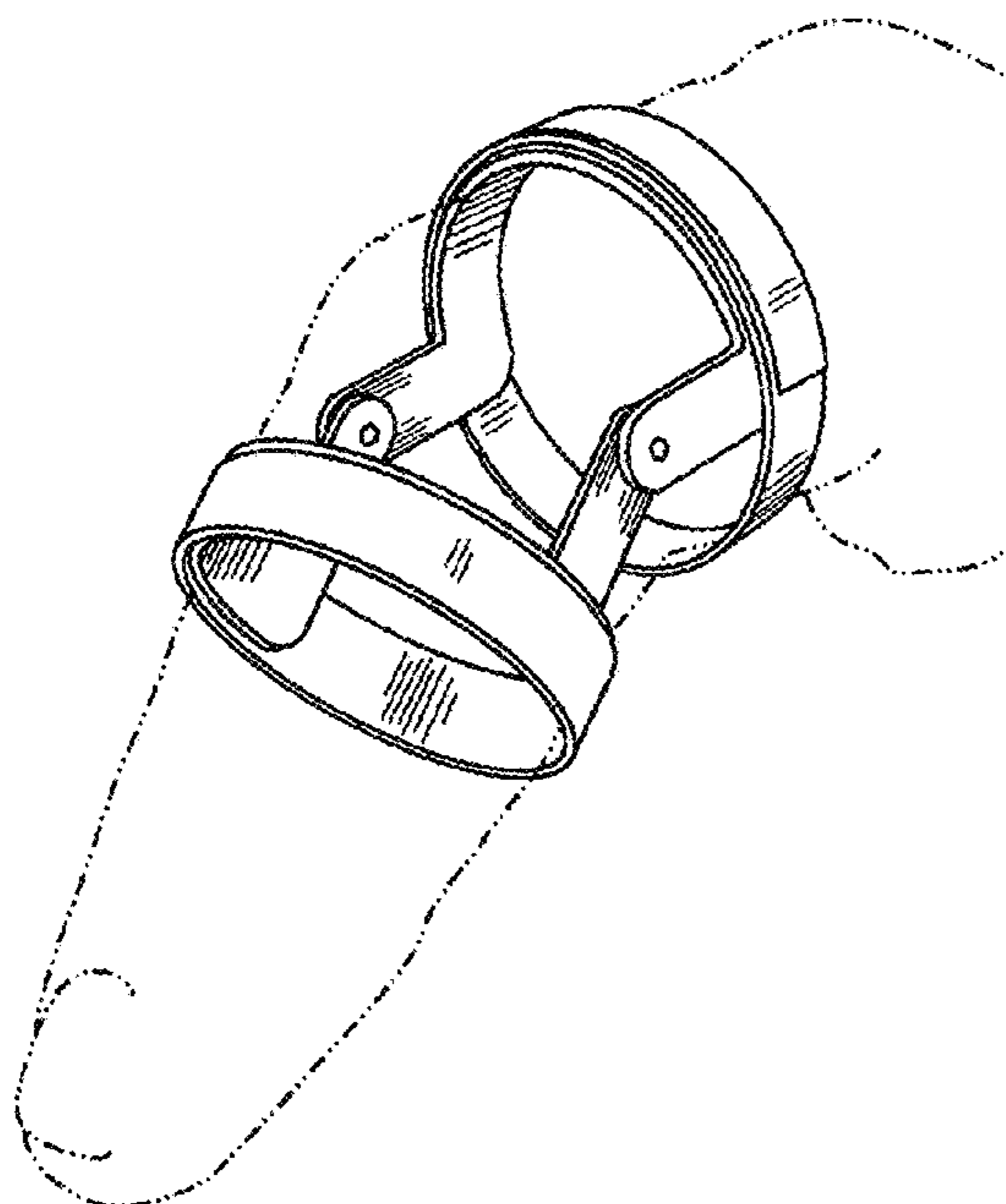
FIG. 6 is a rear elevational view thereof.

FIG. 7 is a top plan view thereof; and,

FIG. 8 is a bottom plan view thereof.

In the drawings, the broken lines show portions of a human finger that forms no part of the claim.

**1 Claim, 7 Drawing Sheets**



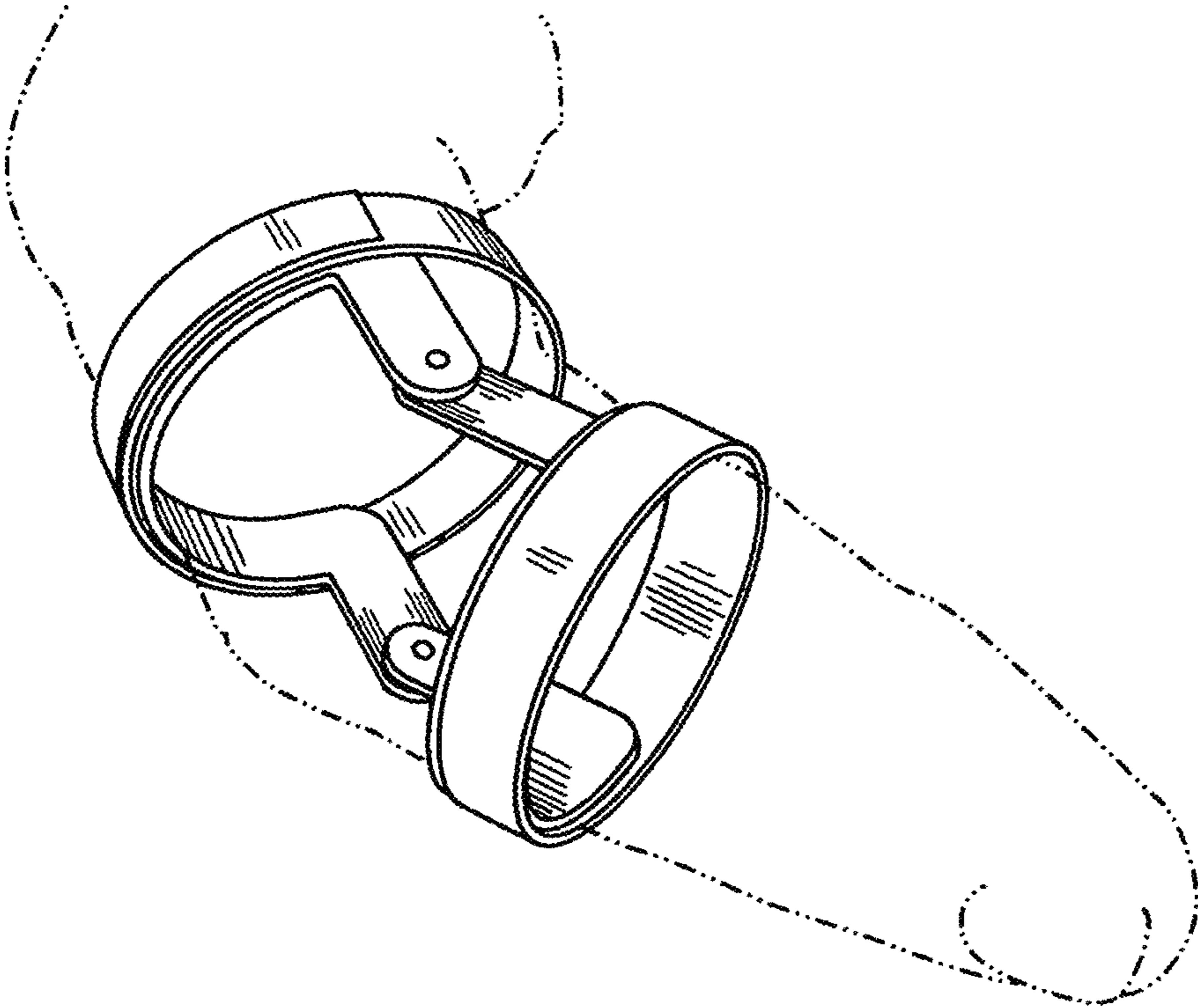


FIG. 1

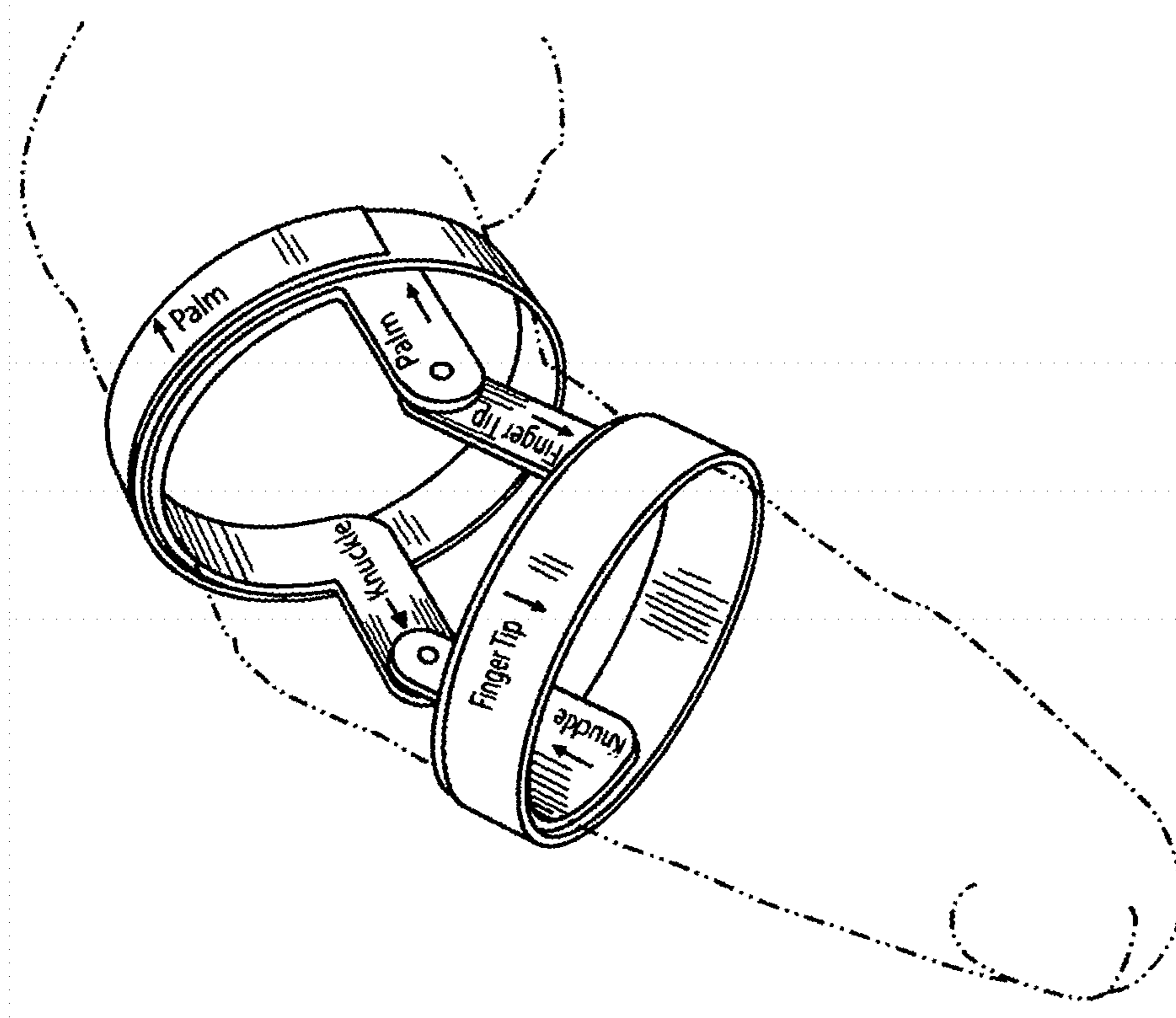


FIG. 2

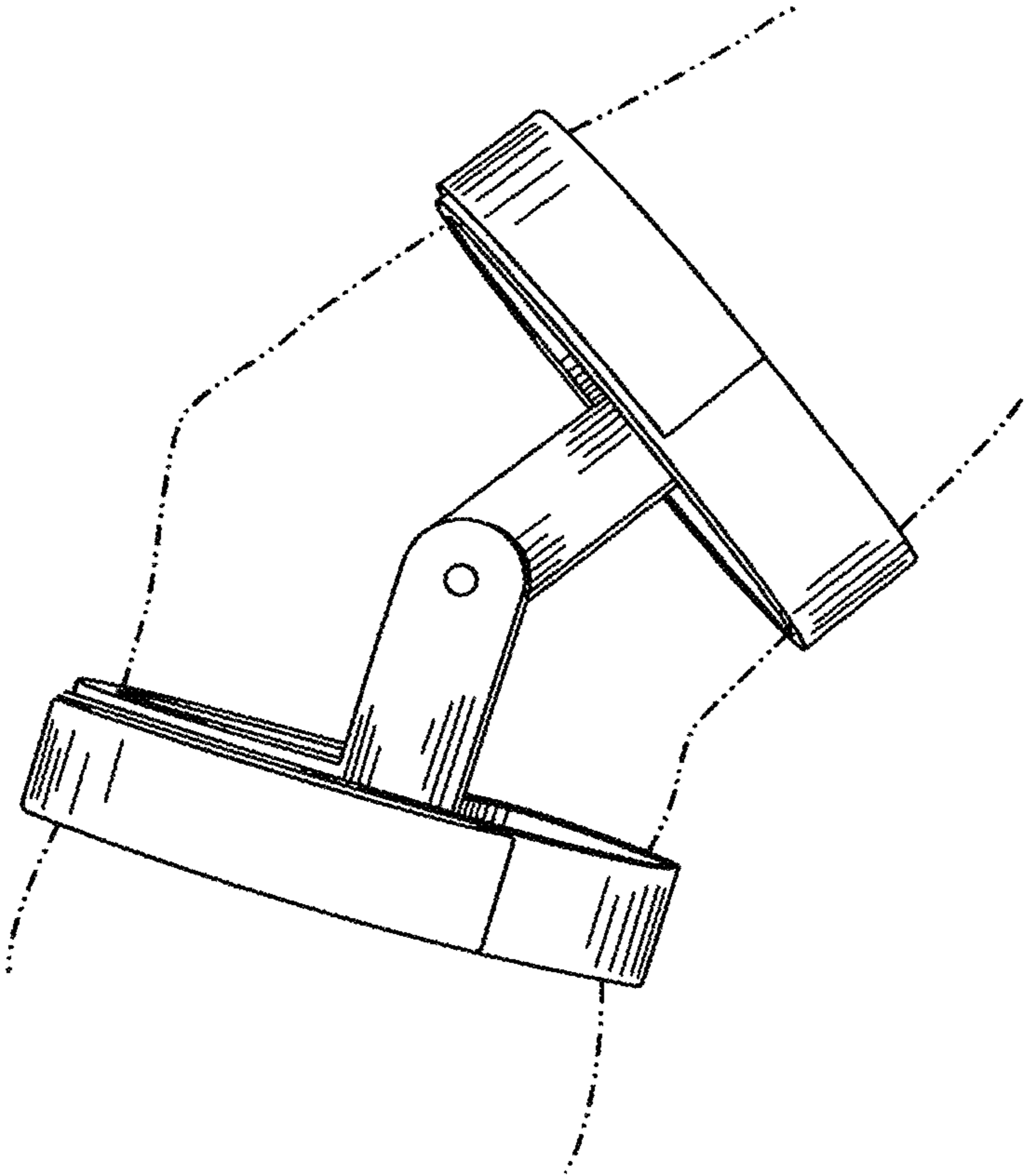


FIG. 3

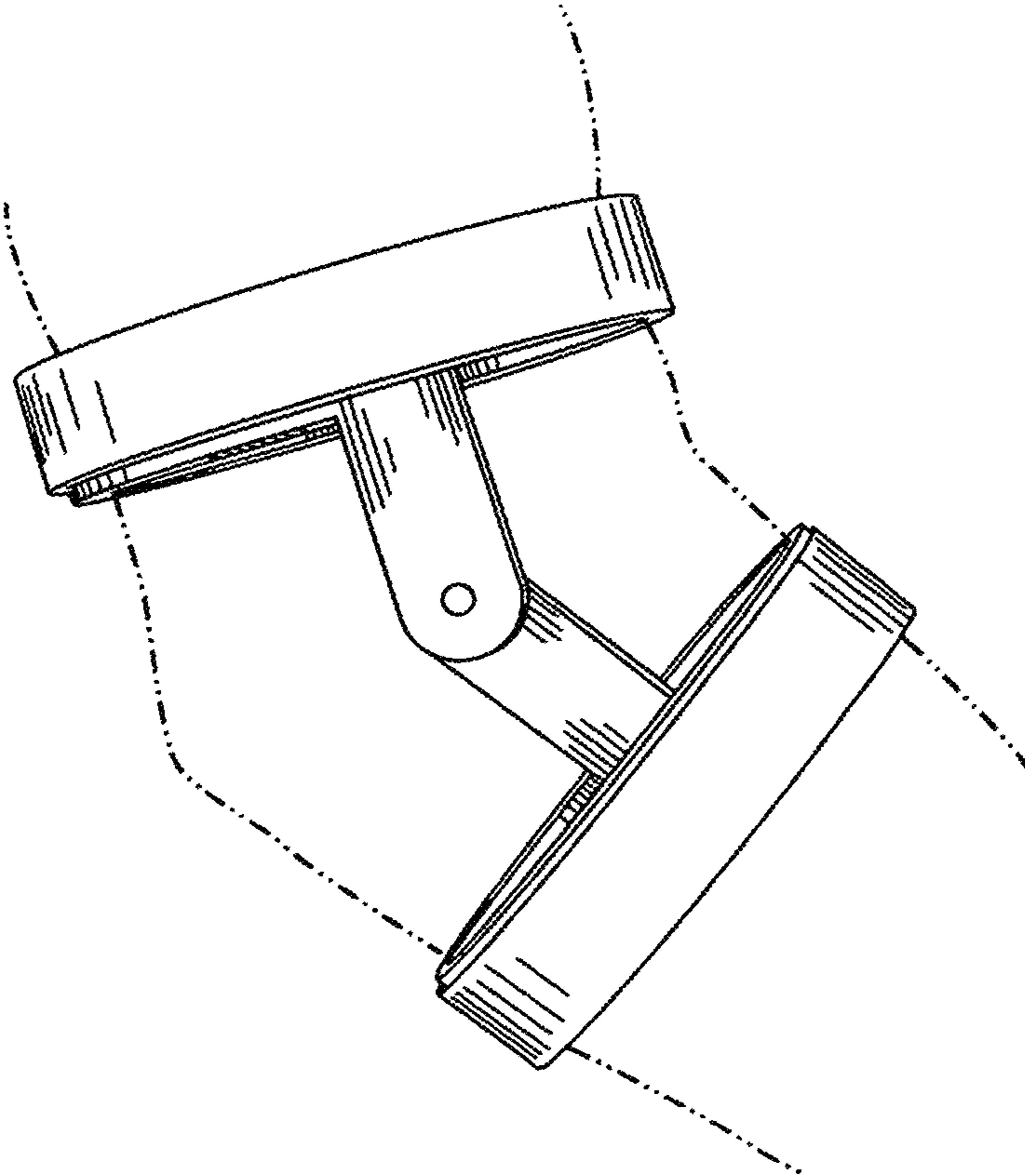


FIG. 4



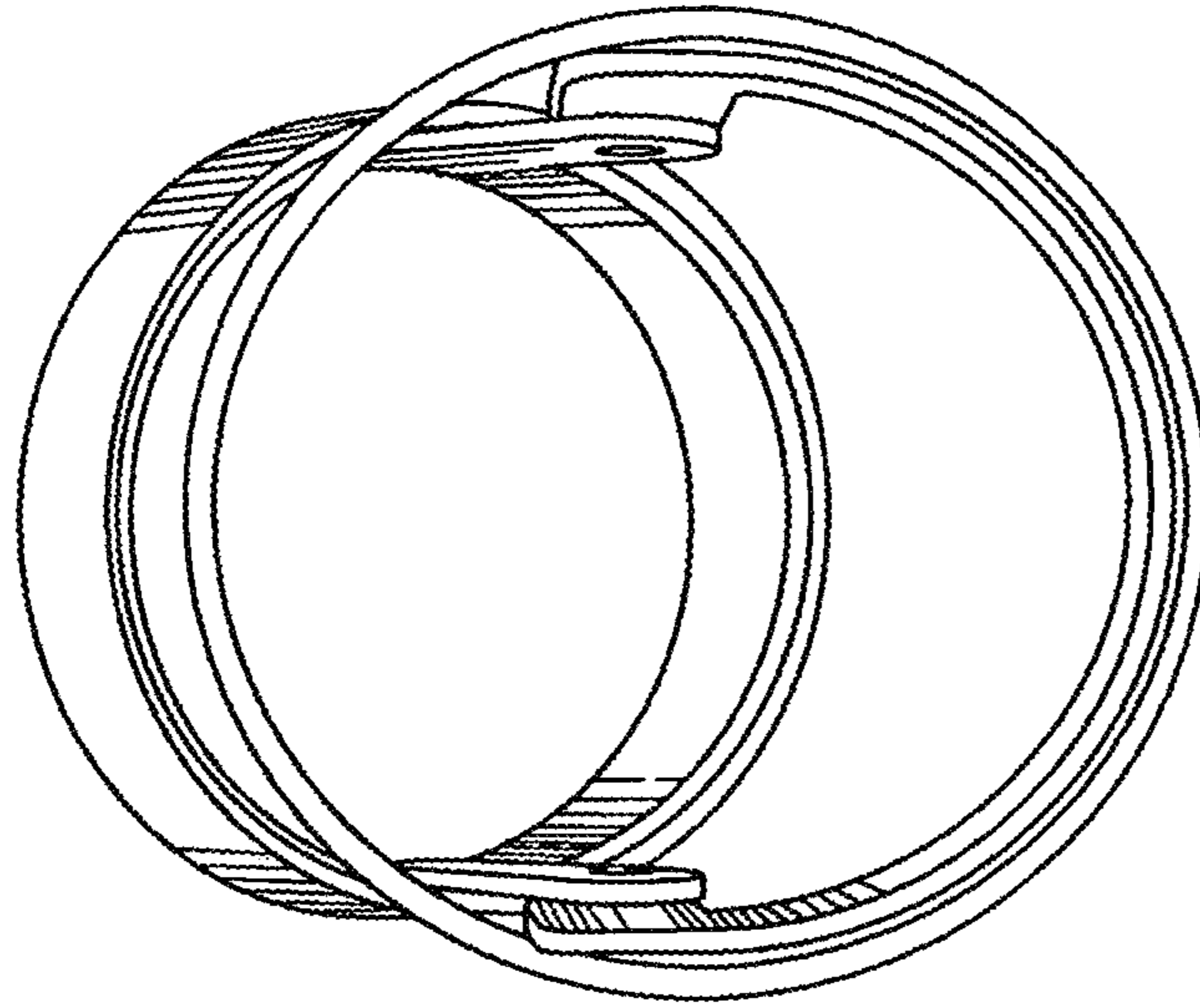


FIG. 6

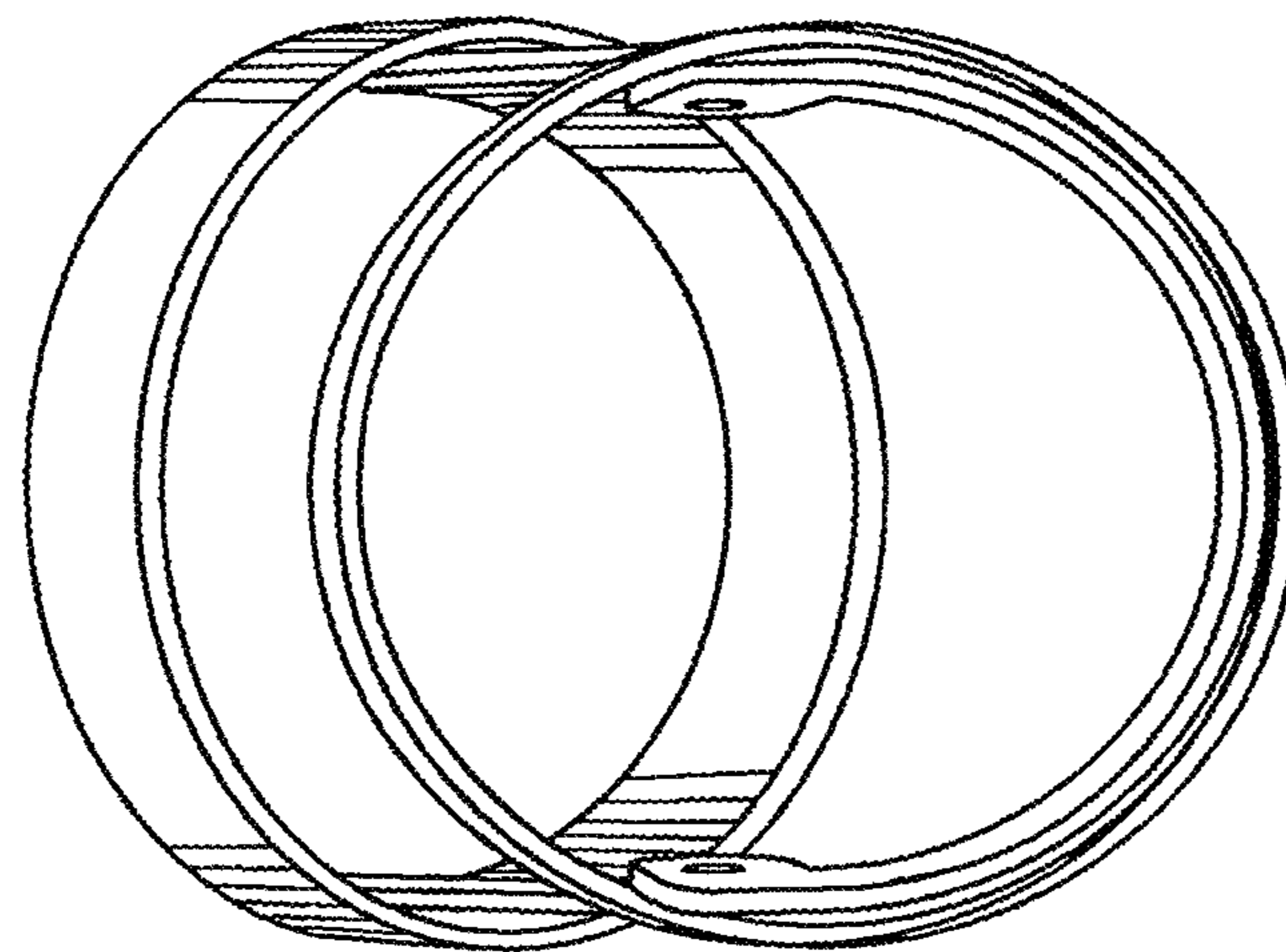


FIG. 5

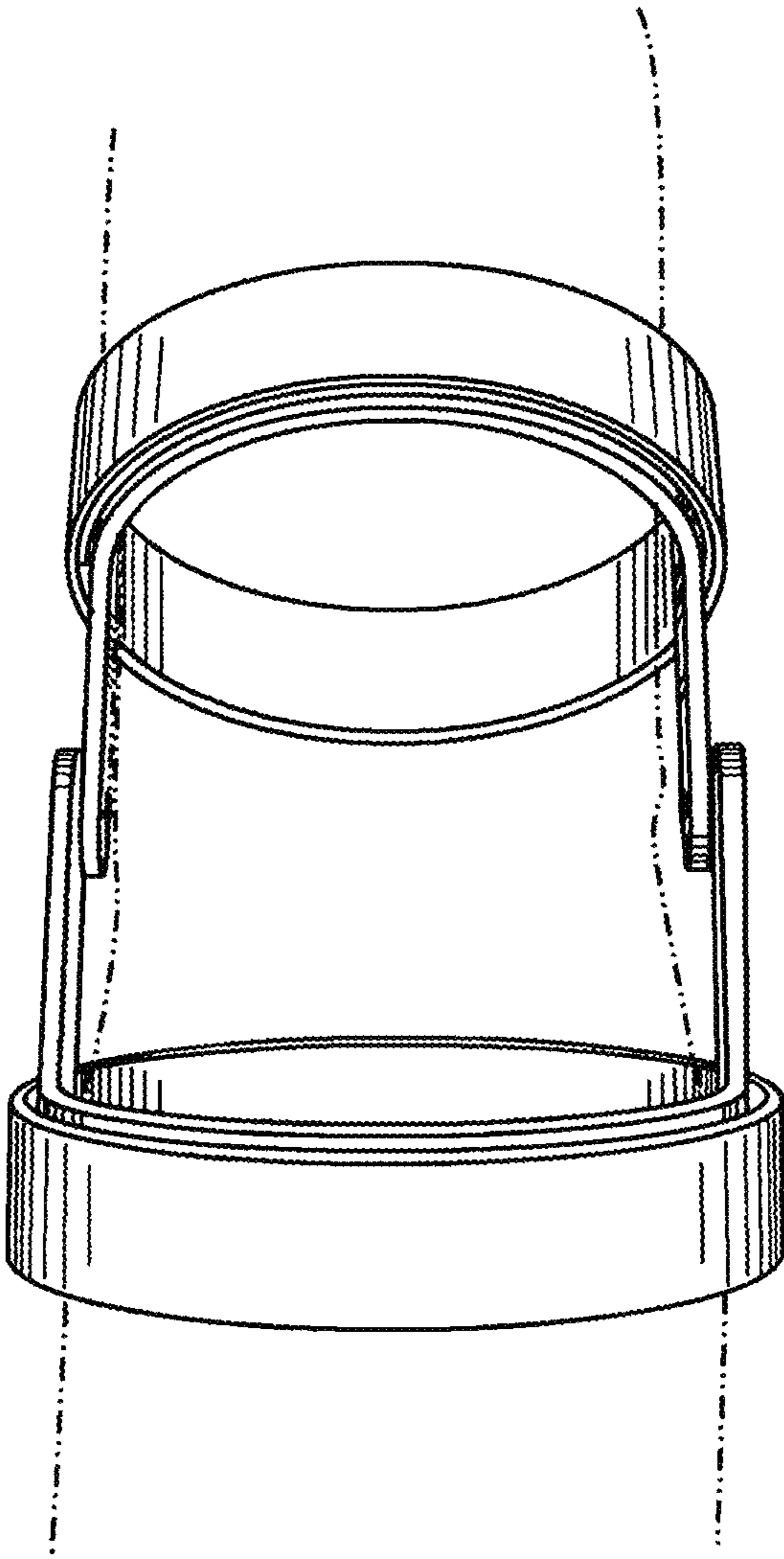


FIG. 7

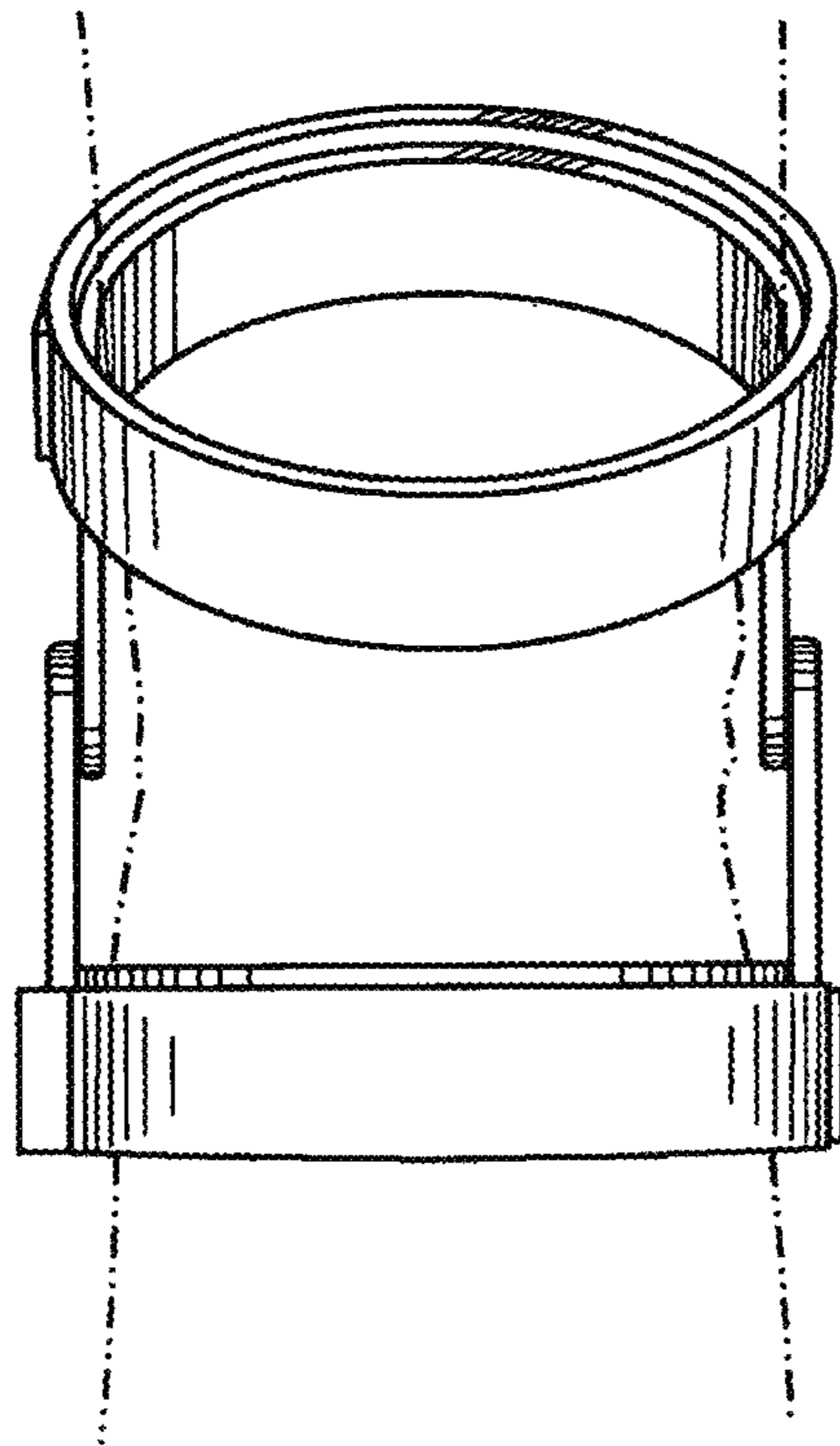


FIG. 8