



US00D930164S

(12) **United States Design Patent** (10) **Patent No.:** **US D930,164 S**
Hwang (45) **Date of Patent:** **** Sep. 7, 2021**

(54) **SMARTWATCH WITH ELECTROCARDIOGRAPH ELECTRODES**

(71) Applicant: **HEXACHECK INC.**, Daejeon (KR)

(72) Inventor: **In-Duk Hwang**, Sejong (KR)

(73) Assignee: **HEXACHECK INC.**, Daejeon (KR)

(**) Term: **15 Years**

(21) Appl. No.: **35/509,732**

(22) Filed: **Jan. 2, 2020**

(80) **Hague Agreement Data**

Int. Filing Date: **Jan. 2, 2020**

Int. Reg. No.: **DM/206466**

Int. Reg. Date: **Jan. 2, 2020**

Int. Reg. Pub. Date: **Jul. 3, 2020**

(30) **Foreign Application Priority Data**

Jul. 3, 2019 (KR) 30-2019-0031957

(51) **LOC (13) Cl.** **24-02**

(52) **U.S. Cl.**
USPC **D24/167; D14/344**

(58) **Field of Classification Search**
USPC D24/187-190, 167, 186; D10/15, 28, D10/30-32, 38, 39, 128, 132; D11/3, 4, D11/200, 26; D13/107; D14/138 R, 139, D14/144, 344; D18/4.5

CPC G04B 37/0008; A44C 5/00; A44C 5/0015; A44C 5/2042; A61B 5/1118; A61B 5/681; A61B 5/6898; A61B 5/316; A61B 5/002; A61B 5/02055; A61B 5/0006; A61B 5/14532; A61B 5/6826; A61B 5/6838

See application file for complete search history.

(56) **References Cited**

U.S. PATENT DOCUMENTS

D664,880 S * 8/2012 Cobbett D11/3
D664,881 S * 8/2012 Cobbett D11/3

D726,057 S * 4/2015 Wai D11/4
D729,079 S * 5/2015 Phillips D10/70
D729,088 S * 5/2015 Phillips D10/103
D738,769 S * 9/2015 Tan D11/3
D756,999 S * 5/2016 von Badinski D14/344
D763,254 S * 8/2016 Aumiller D14/344
D772,867 S * 11/2016 Park D14/344
D772,869 S * 11/2016 Iizuka D14/344
D772,870 S * 11/2016 Park D14/344
D773,049 S * 11/2016 Wimmer, IV D24/167
D773,050 S * 11/2016 Wimmer, IV D24/167
D779,989 S * 2/2017 Lee D11/3

(Continued)

OTHER PUBLICATIONS

Medium. How Smart Band Adds Capabilities for the Apple Watch. Aug. 24, 2020. <https://medium.com/swlh/how-smart-band-adds-capabilities-for-the-apple-watch-51e6a41aa1a8> (Year: 2020).*

(Continued)

Primary Examiner — Darcey E Gottschalk
(74) *Attorney, Agent, or Firm* — IPLA P.A.

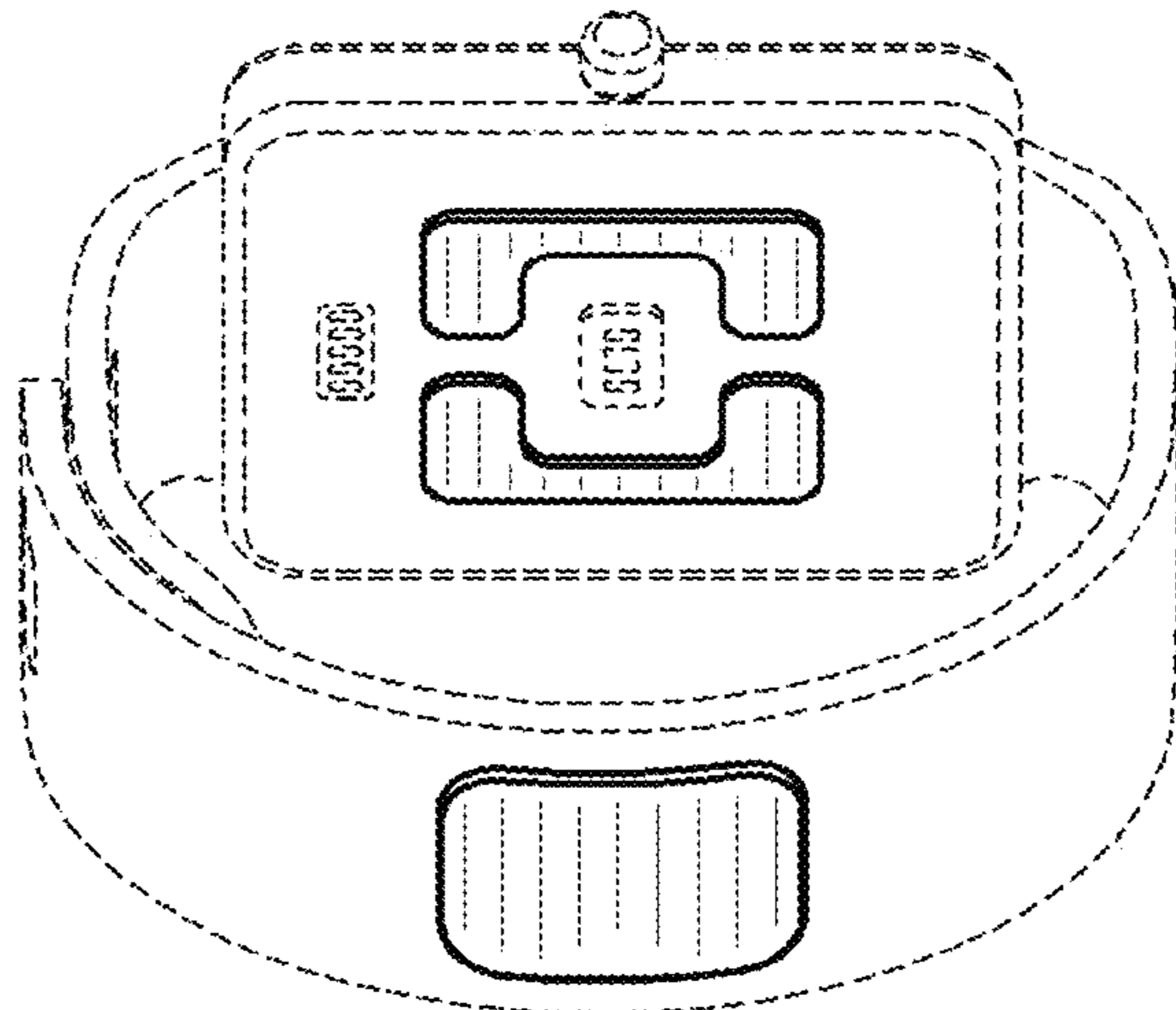
(57) **CLAIM**

The ornamental design for a smartwatch with electrocardiograph electrodes, as shown and described.

DESCRIPTION

- 1. Smartwatch with electrocardiograph electrodes
- 1.1 : Perspective
- 1.2 : Front
- 1.3 : Back
- 1.4 : Left
- 1.5 : Right
- 1.6 : Top
- 1.7 : Bottom
- 1.8 : Perspective
- 1.9 : Perspective

1 Claim, 9 Drawing Sheets



(56)

References Cited

U.S. PATENT DOCUMENTS

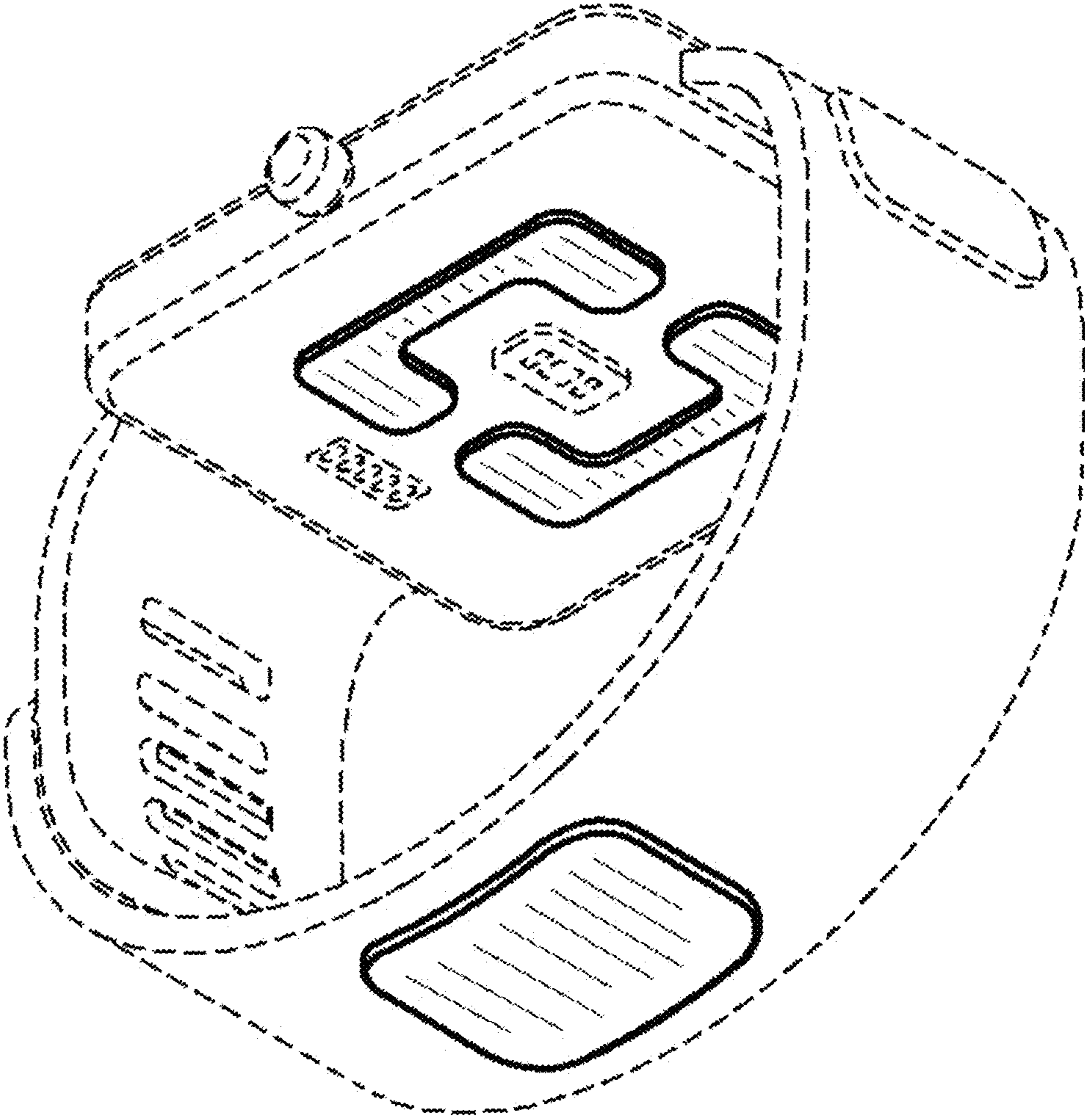
D779,994 S * 2/2017 Roberts D11/3
D791,764 S * 7/2017 von Badinski D14/344
D913,499 S * 3/2021 Hwang D24/167
D915,600 S * 4/2021 Hwang D24/167
D918,392 S * 5/2021 Hwang D24/167
D919,095 S * 5/2021 Hwang D24/167
2020/0315480 A1 * 10/2020 Hwang A61B 5/02055
2020/0367827 A1 * 11/2020 Min G06F 3/01

OTHER PUBLICATIONS

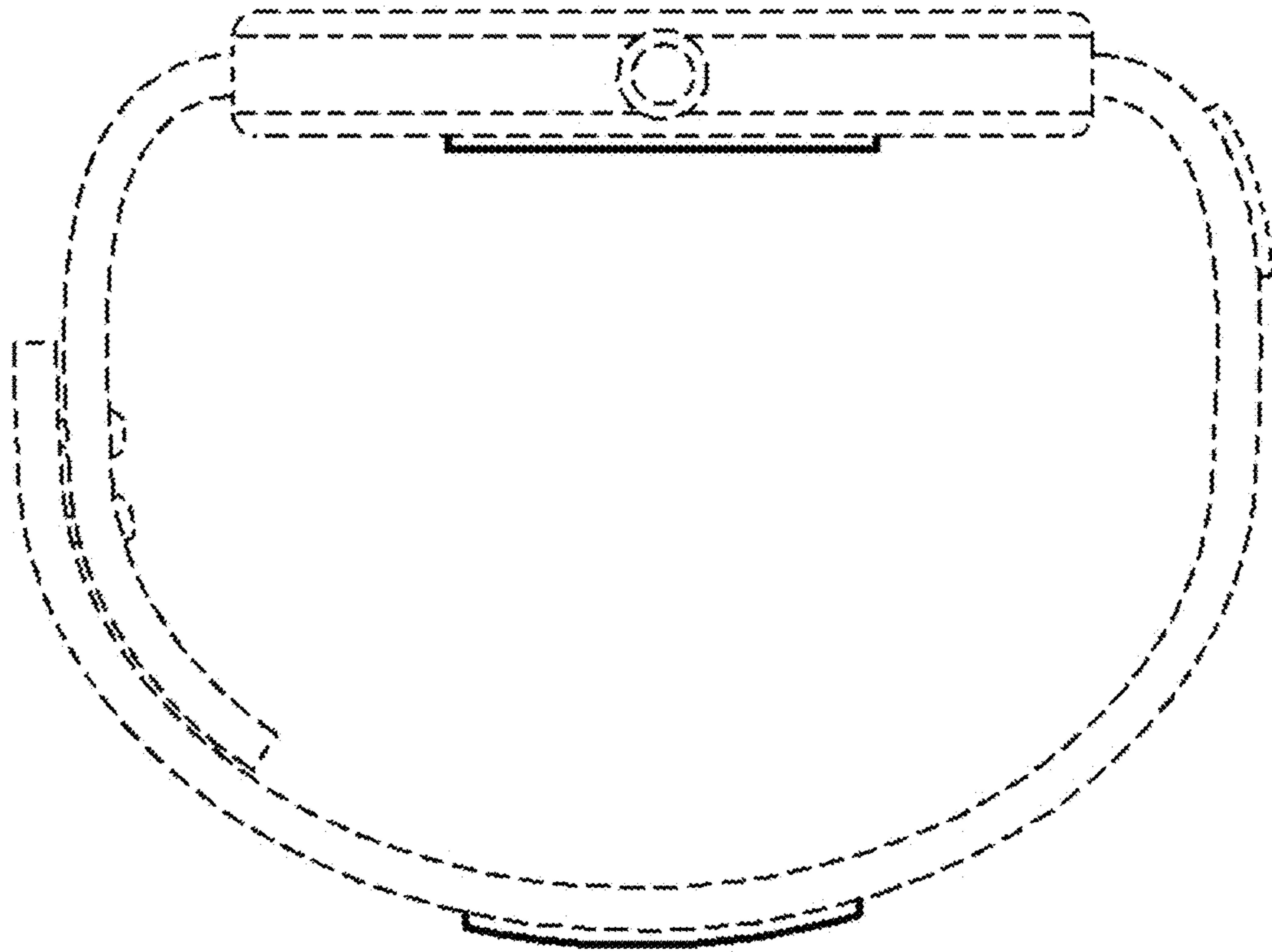
Youtube. Mudra Band—Add Gesture Control to Apple Watch. Jun. 16, 2020. <https://www.youtube.com/watch?v=pnY1QzwFIKE> (Year: 2020).*

* cited by examiner

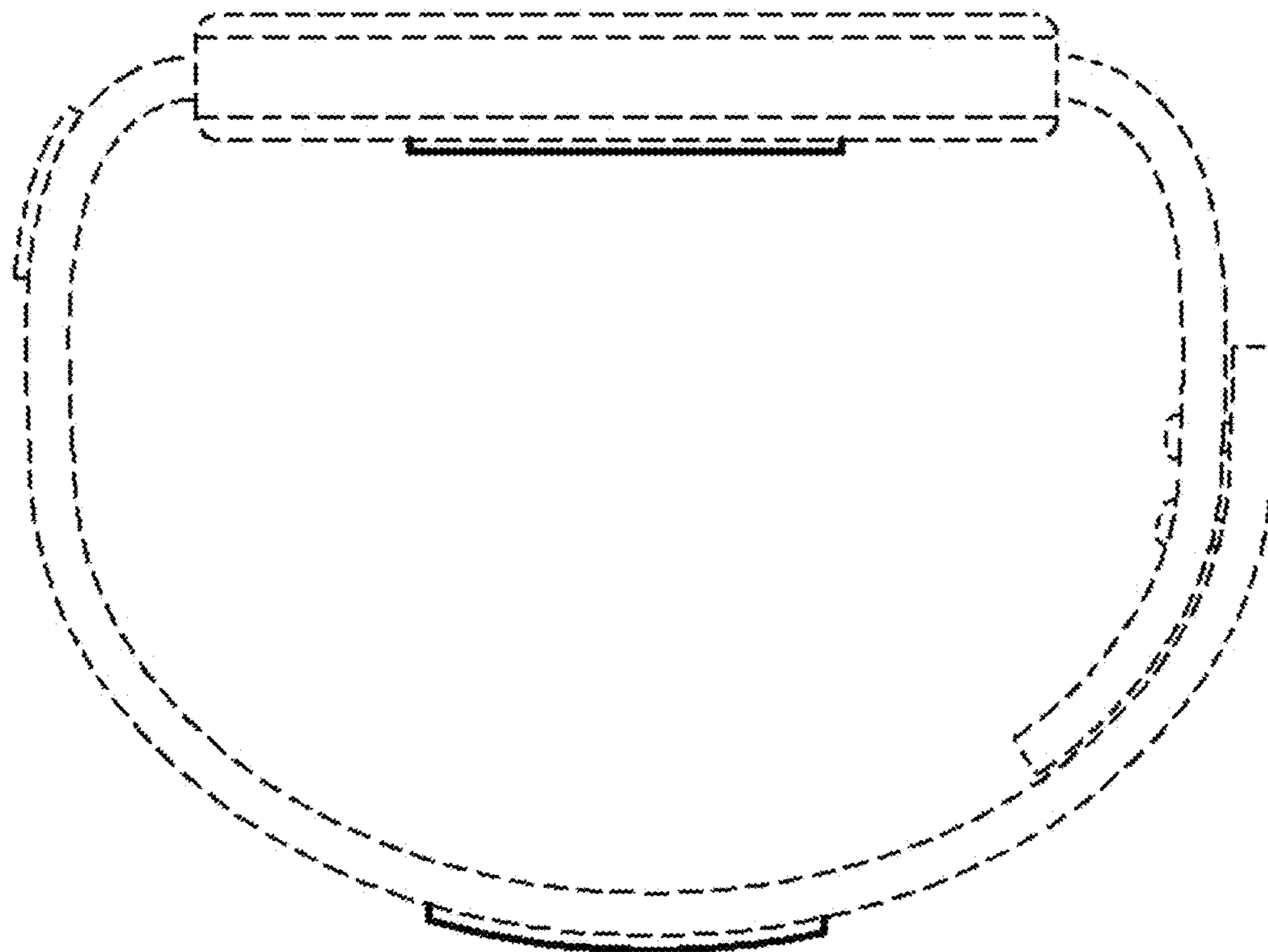
1.1



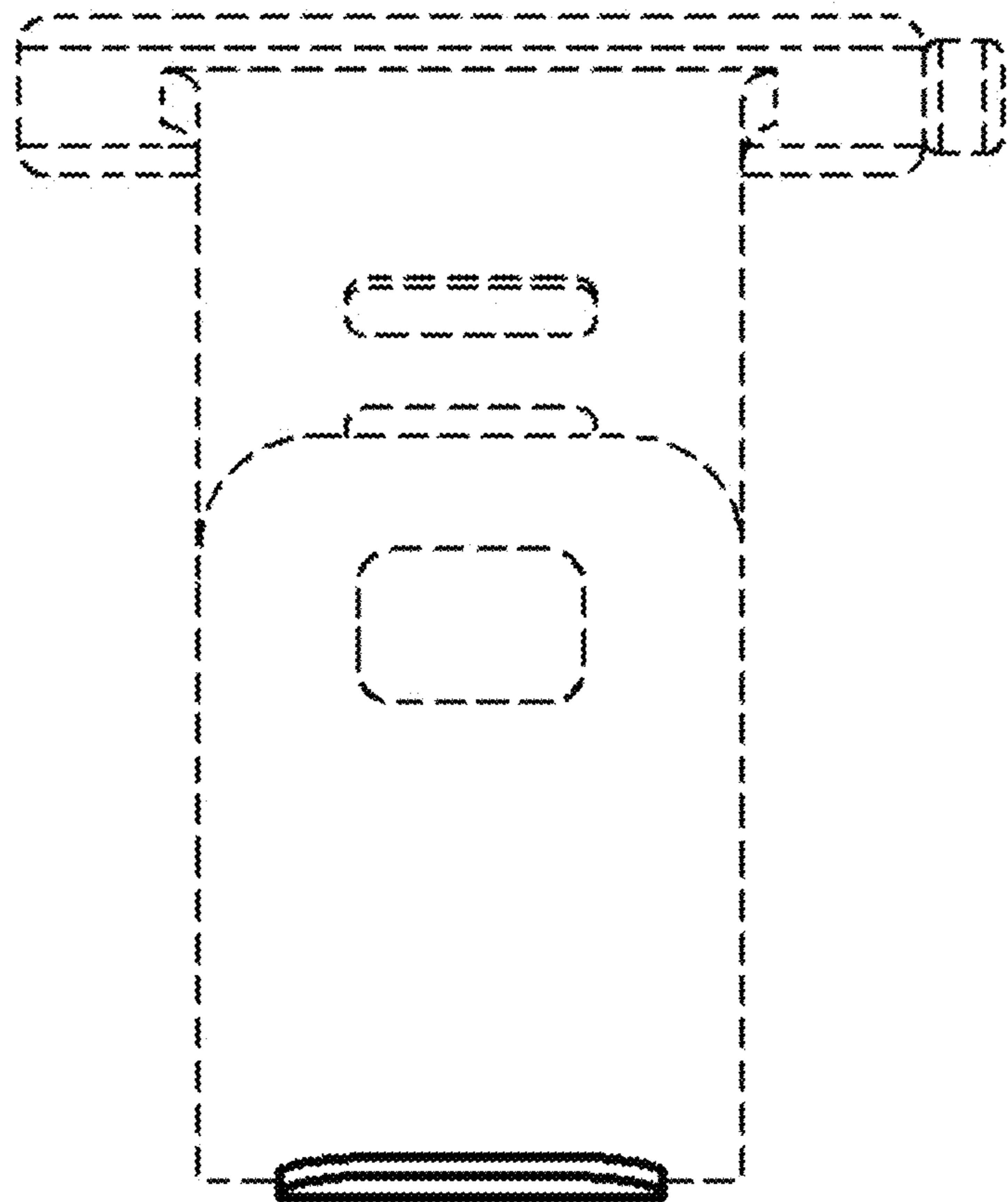
1.2



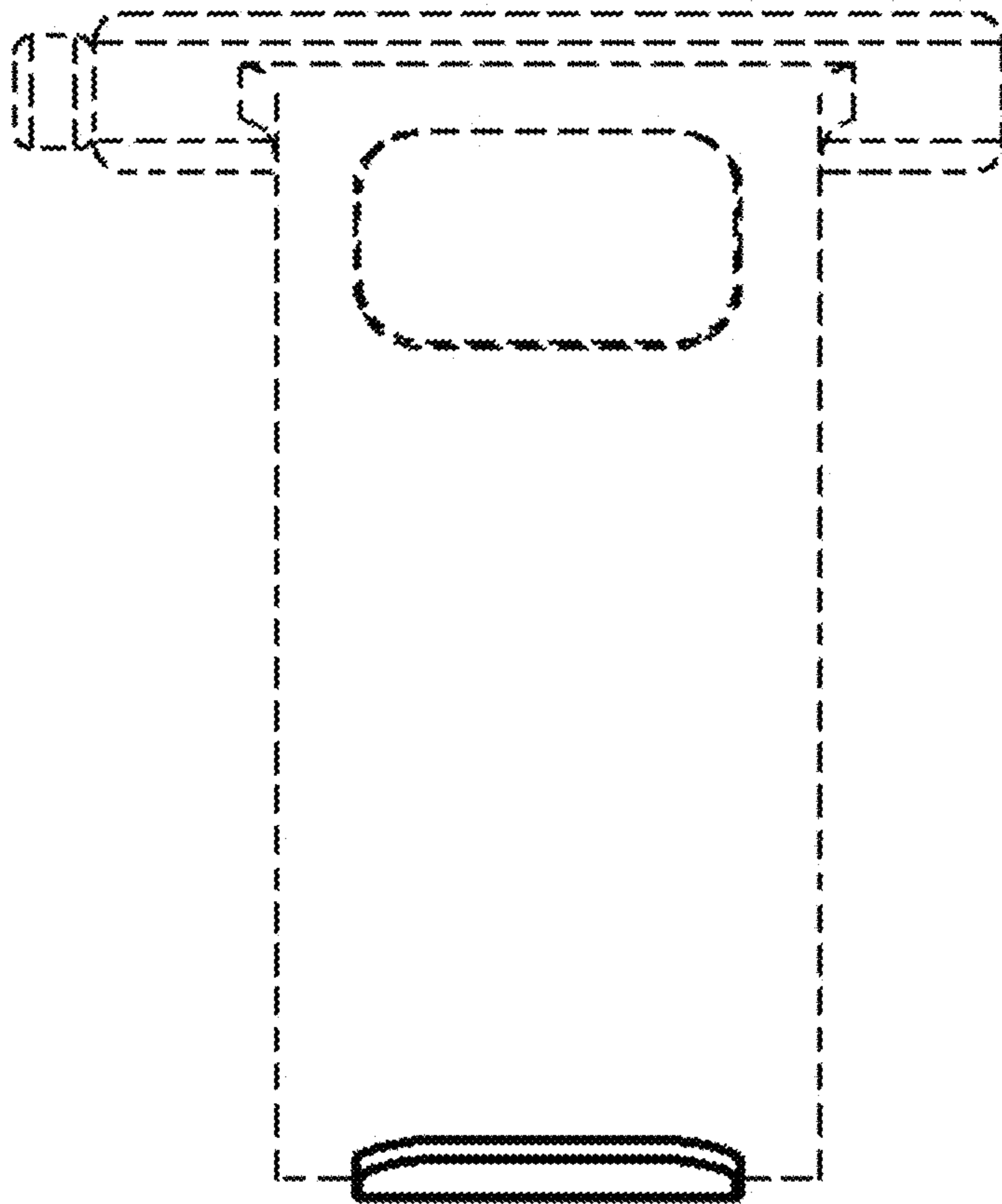
1.3



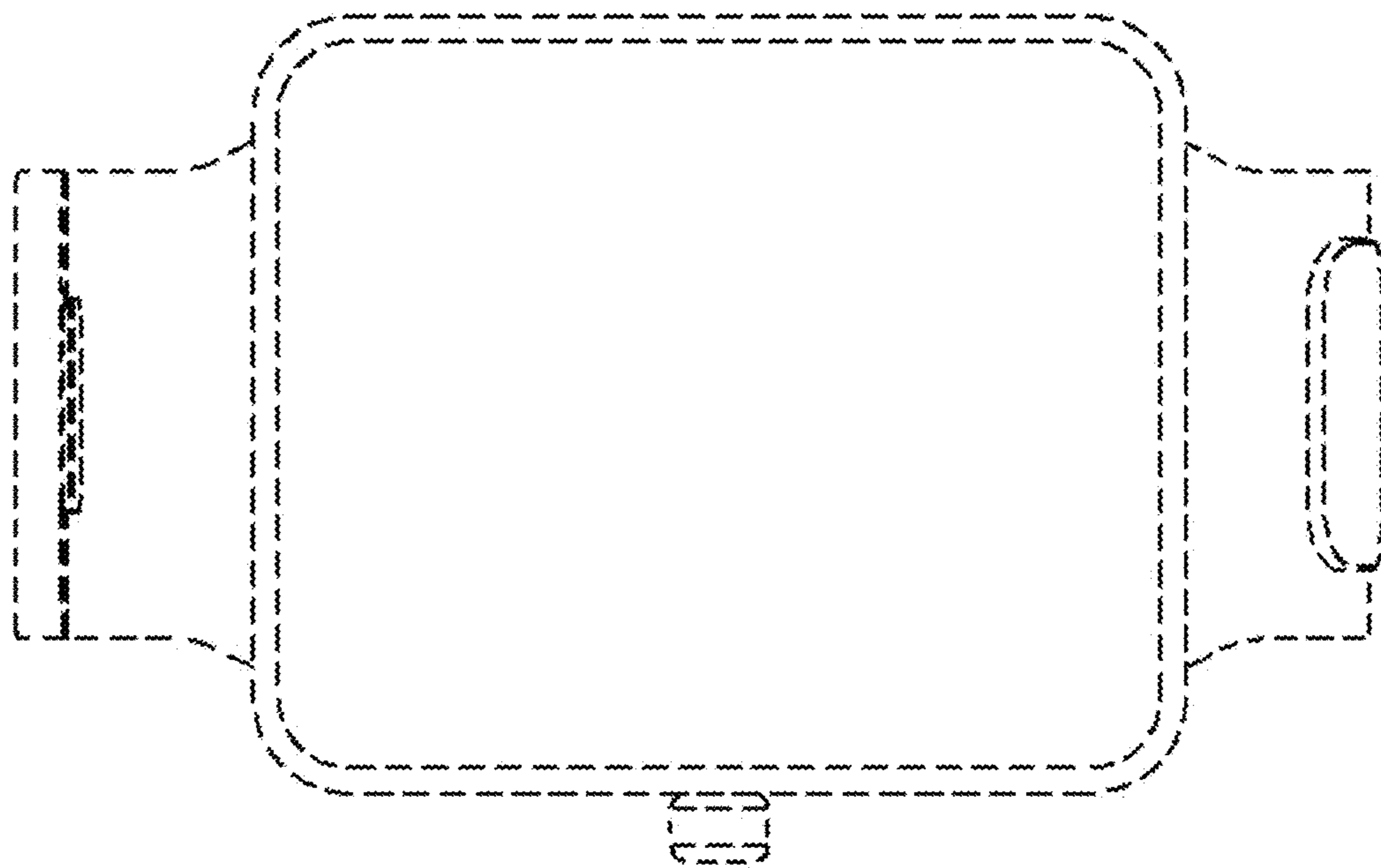
1.4



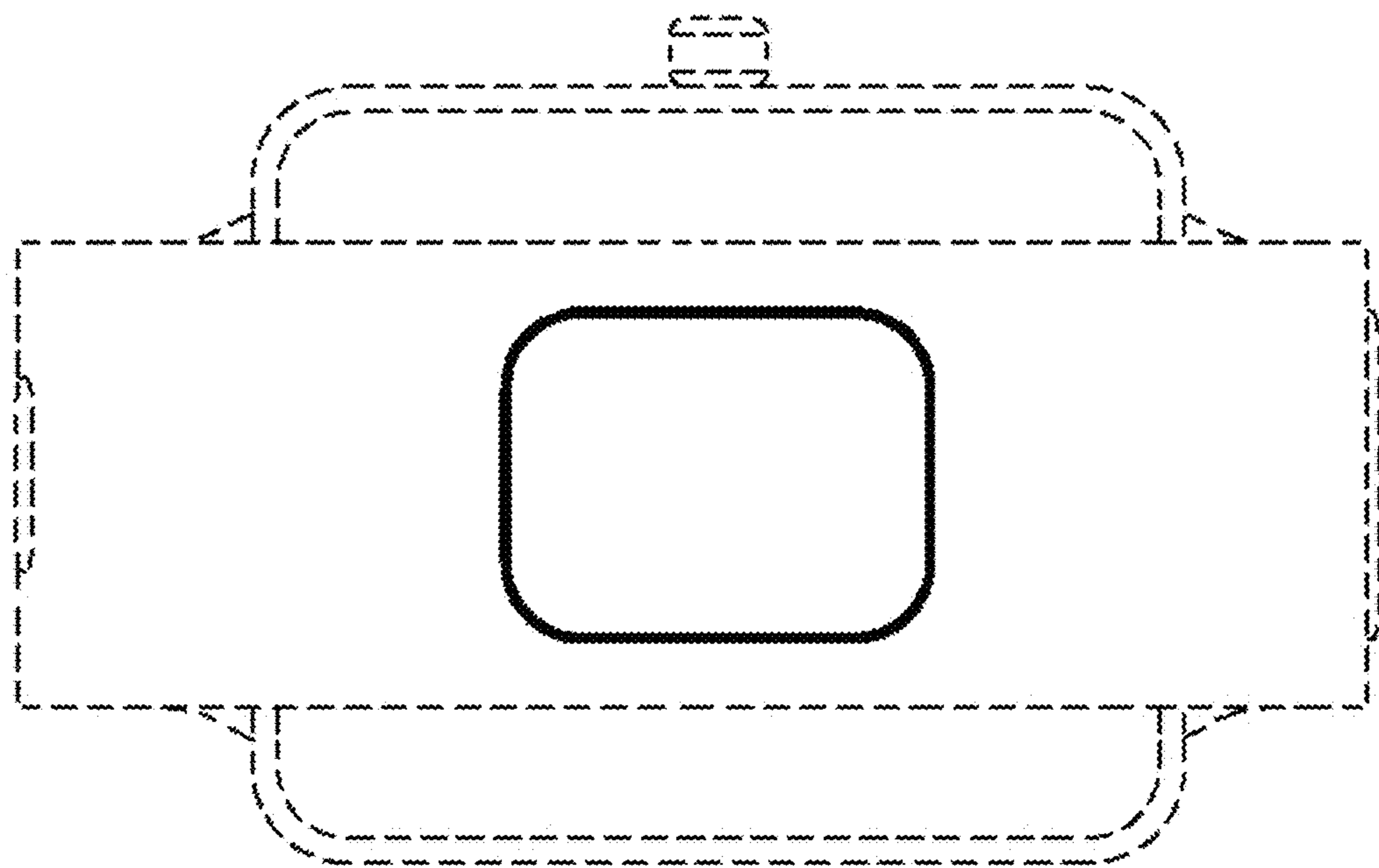
1.5



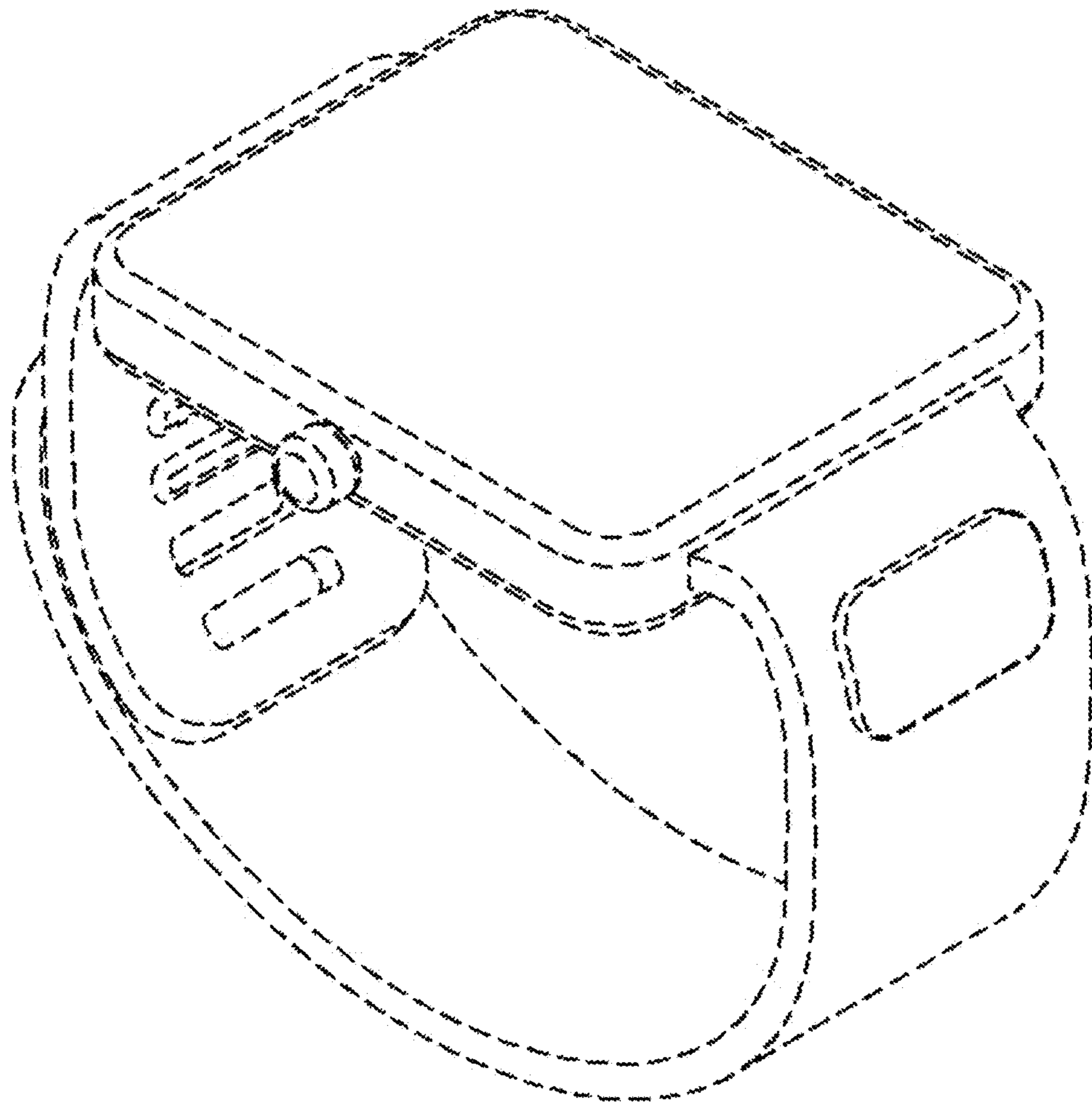
1.6



1.7



1.8



1.9

