



US00D930162S

(12) **United States Design Patent**
Cremer et al.

(10) **Patent No.:** **US D930,162 S**

(45) **Date of Patent:** **** Sep. 7, 2021**

(54) **MEDICAL HEADSET**

(71) Applicant: **Augmedics Ltd**, Yokneam (IL)

(72) Inventors: **Eyal Cremer**, Shoshanat Ha Amakim (IL); **Tomer Gera**, Kfar-Tavor (IL); **Nissan Elimelech**, Beerotayim (IL)

(73) Assignee: **Augmedics Ltd.**, Yokneam (IL)

(**) Term: **15 Years**

(21) Appl. No.: **35/508,942**

(22) Filed: **Feb. 13, 2020**

(80) **Hague Agreement Data**

Int. Filing Date: **Feb. 13, 2020**

Int. Reg. No.: **DM/206625**

Int. Reg. Date: **Feb. 13, 2020**

Int. Reg. Pub. Date: **Apr. 3, 2020**

(51) **LOC (13) Cl.** **24-01**

(52) **U.S. Cl.**

USPC **D24/160**

(58) **Field of Classification Search**

USPC D24/231, 186, 158, 160, 110.3; D2/878, D2/892; D29/102

CPC A41D 13/1184; A61F 9/06

See application file for complete search history.

(56) **References Cited**

U.S. PATENT DOCUMENTS

D370,309 S * 5/1996 Stucky D29/102

D480,476 S * 10/2003 Martinson D24/110.1
D710,545 S * 8/2014 Wu D29/102
D710,546 S * 8/2014 Wu D29/102
D824,523 S * 7/2018 Paoli D24/186
D869,772 S * 12/2019 Gand D29/102
D870,977 S * 12/2019 Berggren D29/122
2021/0049825 A1* 2/2021 Wheelwright G02B 5/3083

* cited by examiner

Primary Examiner — Eliza Z Bennett-Hattan

(74) *Attorney, Agent, or Firm* — Eitan Mehulal Sadot

(57) **CLAIM**

The ornamental design for a medical headset, as shown and described.

DESCRIPTION

1. Medical headset

1.1 : Perspective

1.2 : Back perspective

1.3 : Front

1.4 : Back

1.5 : Side

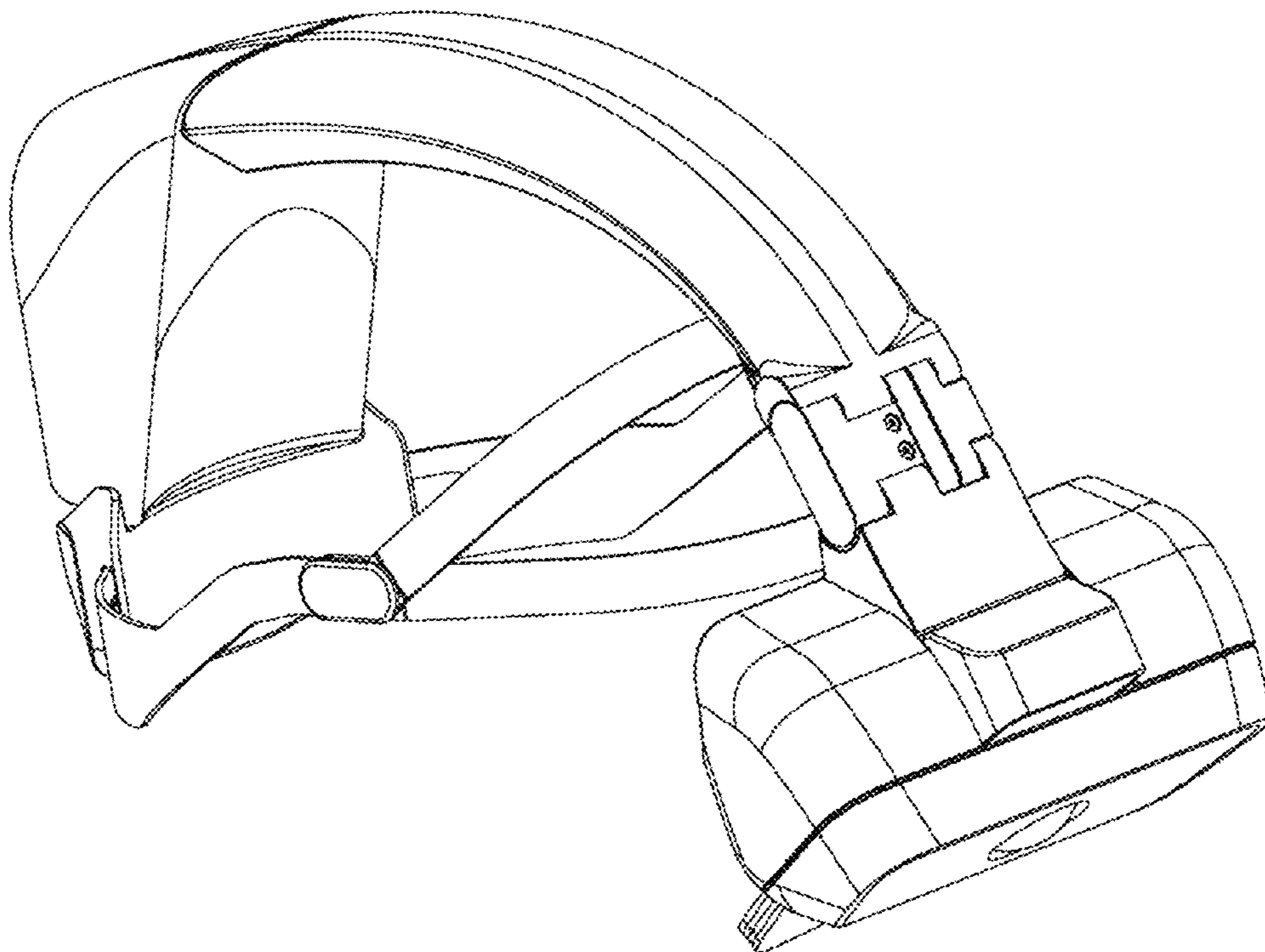
1.6 : Side

1.7 : Top

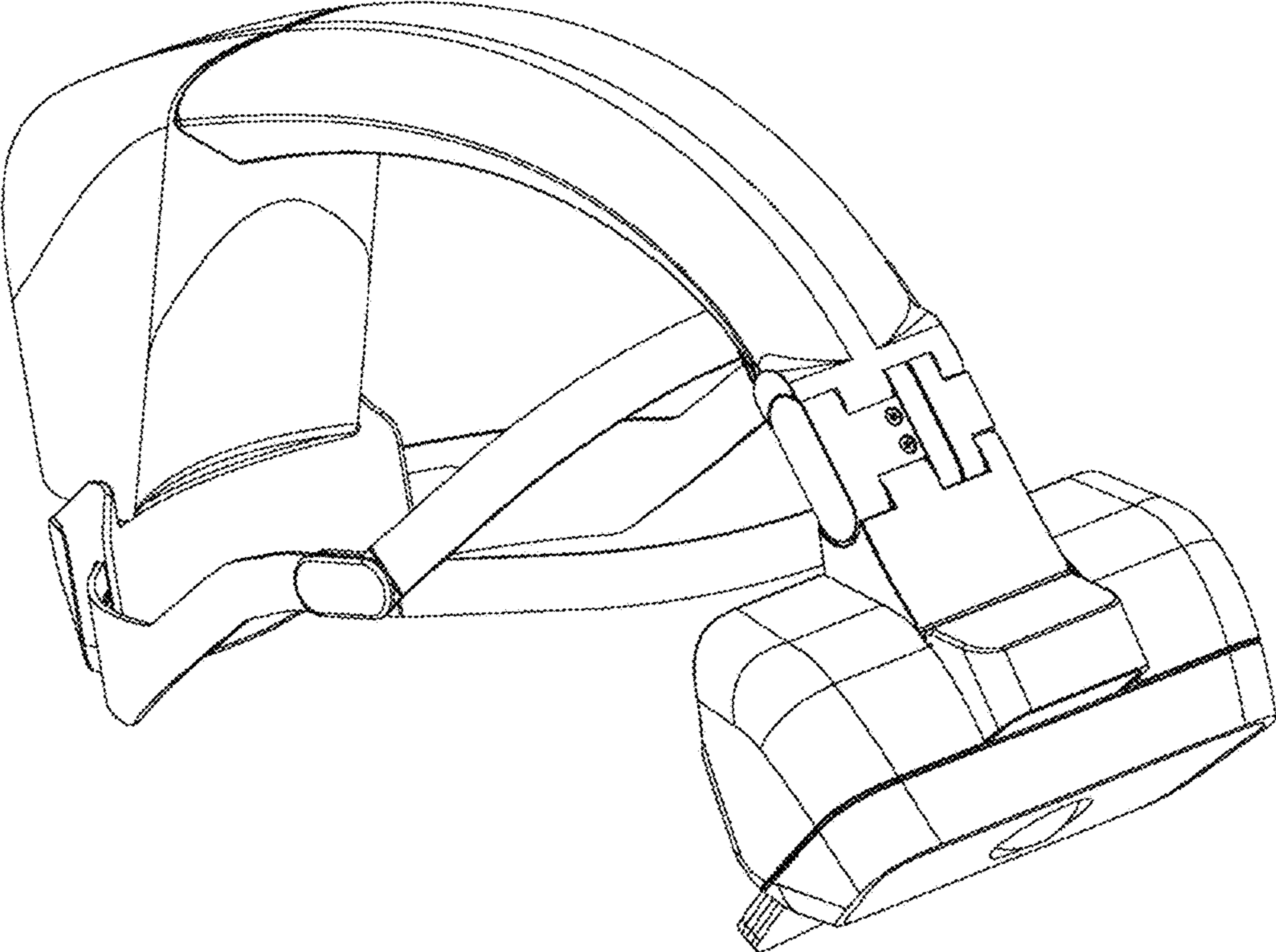
1.8 : Bottom

Portions of the article shown in broken lines form no part of the claimed design.

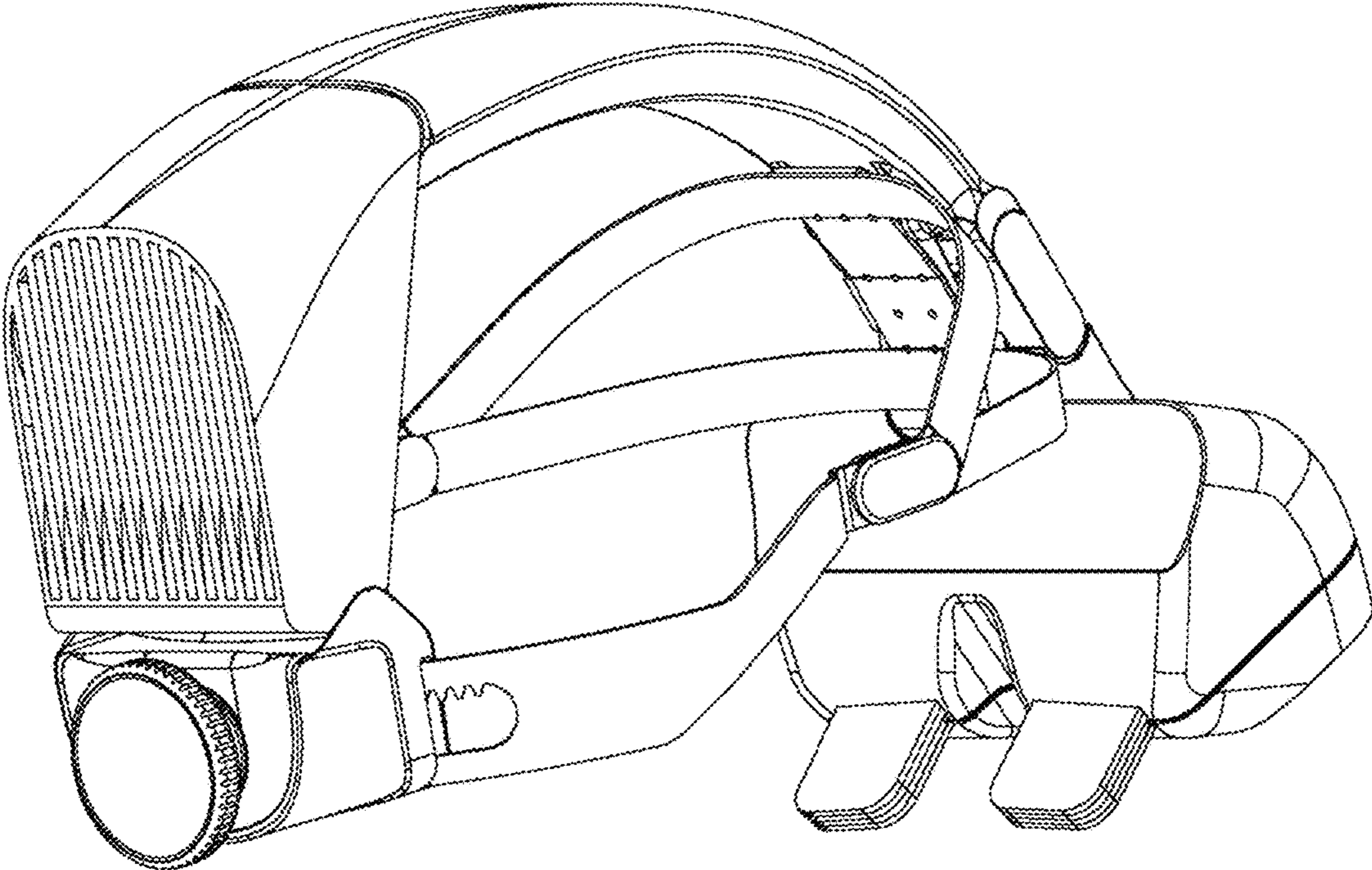
1 Claim, 8 Drawing Sheets



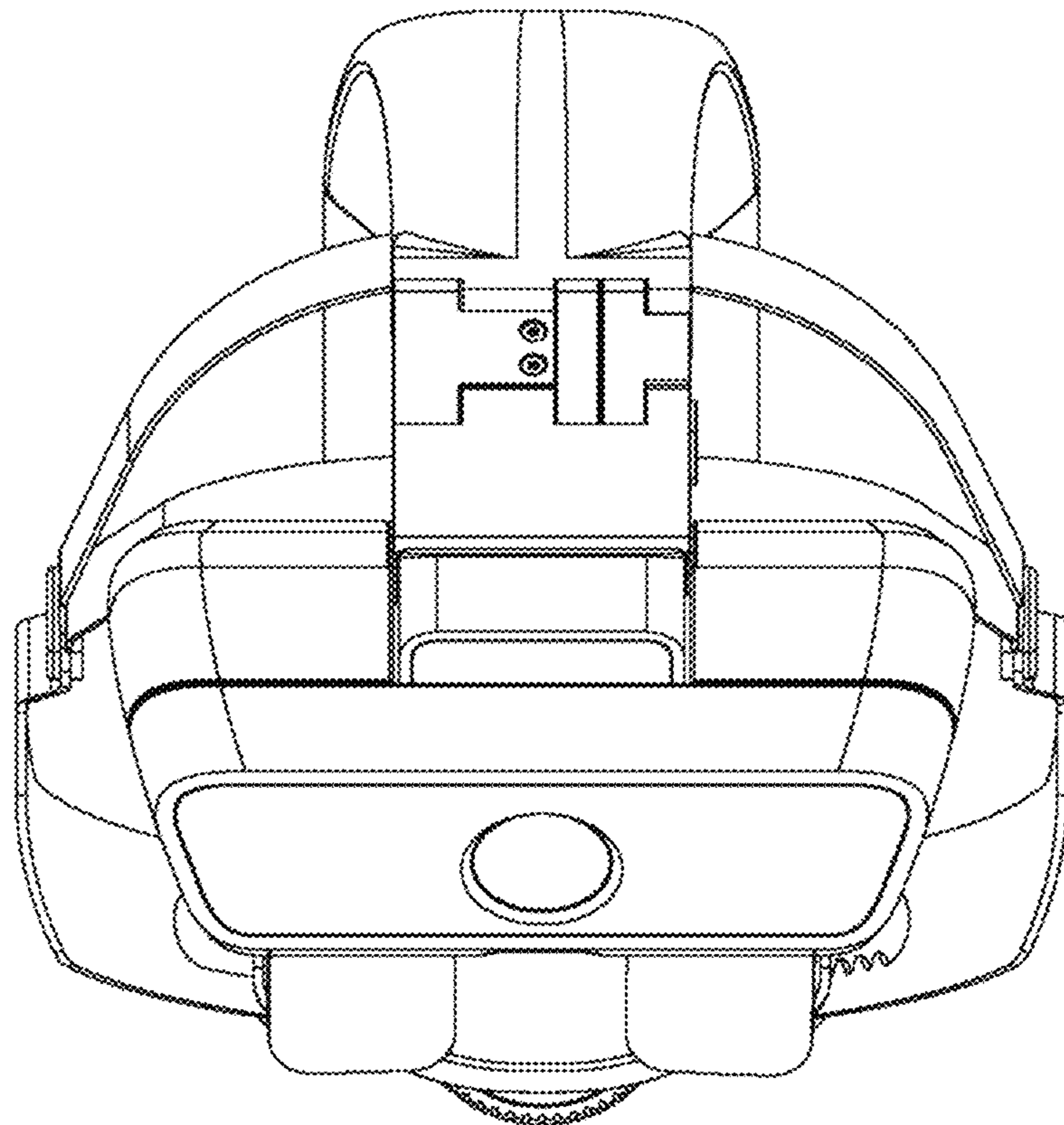
1.1



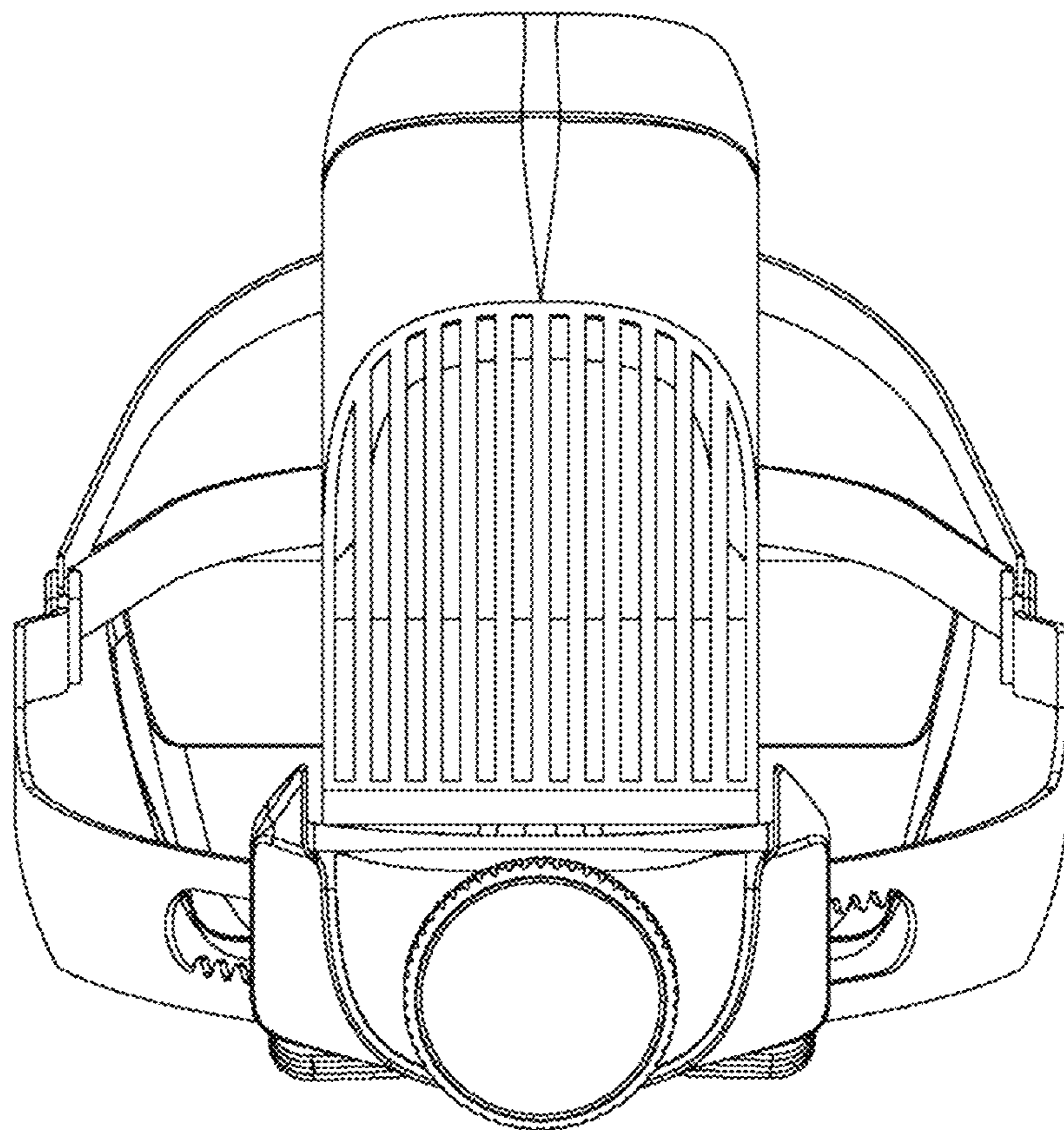
1.2



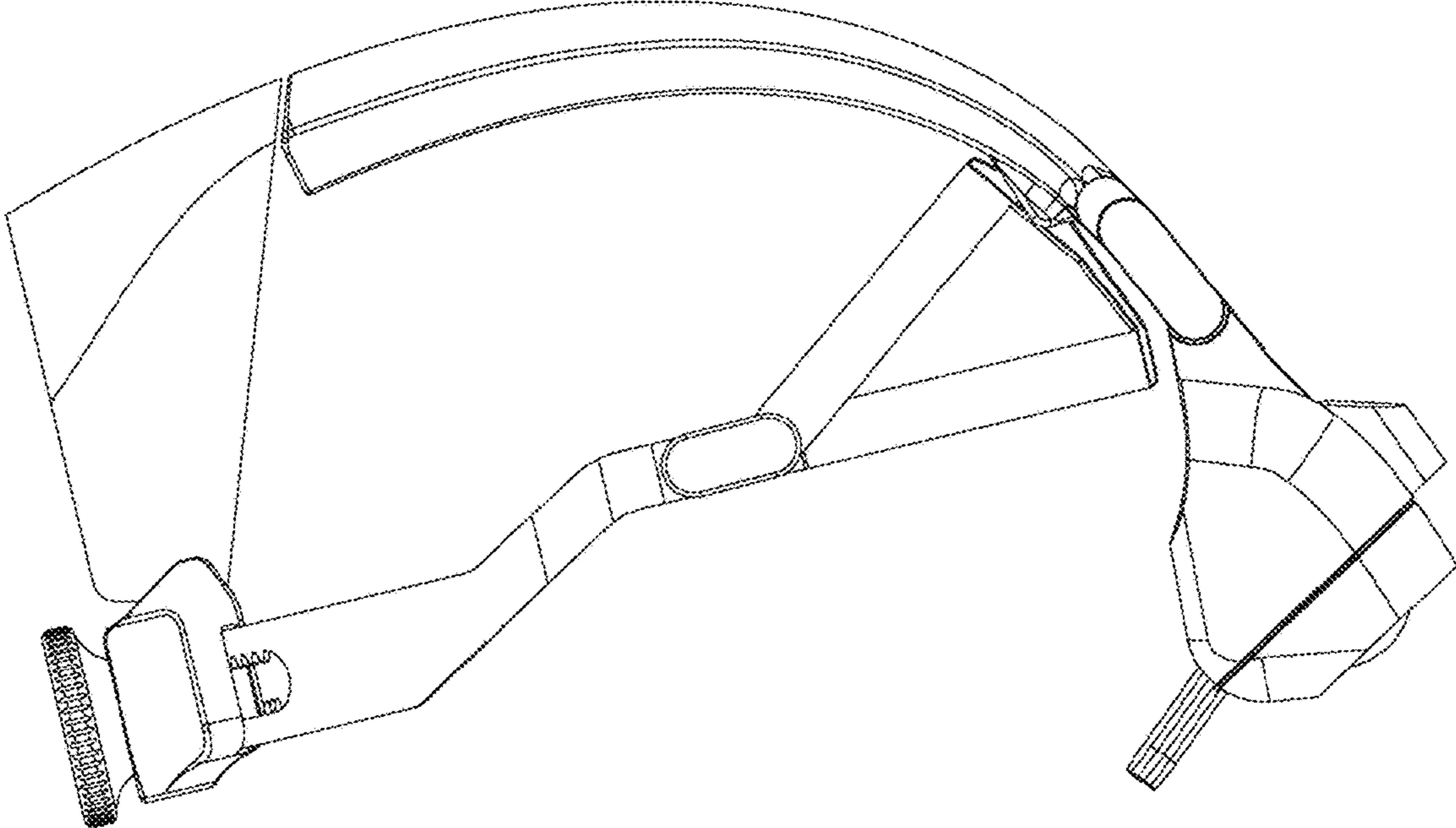
1.3

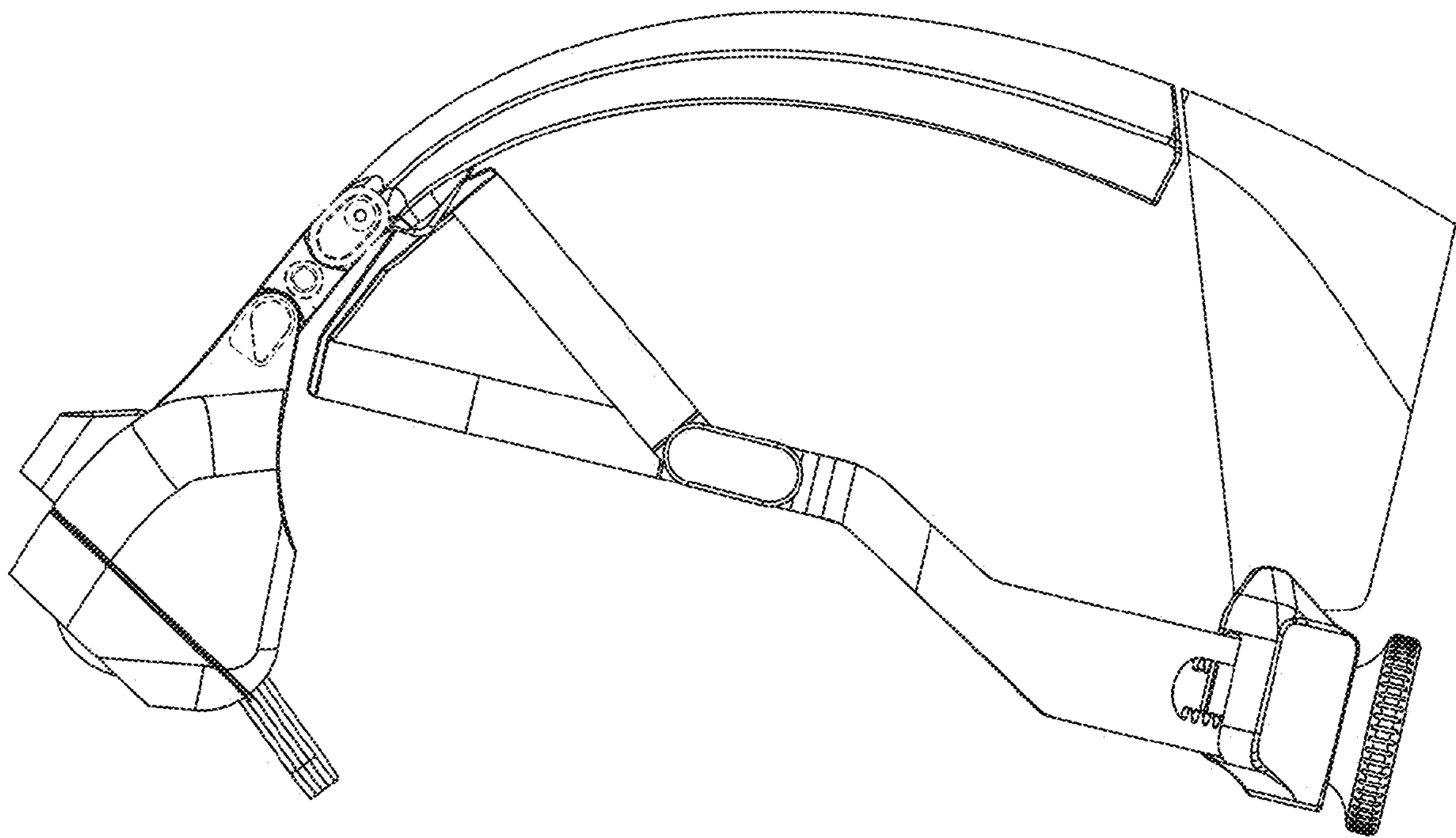


1.4

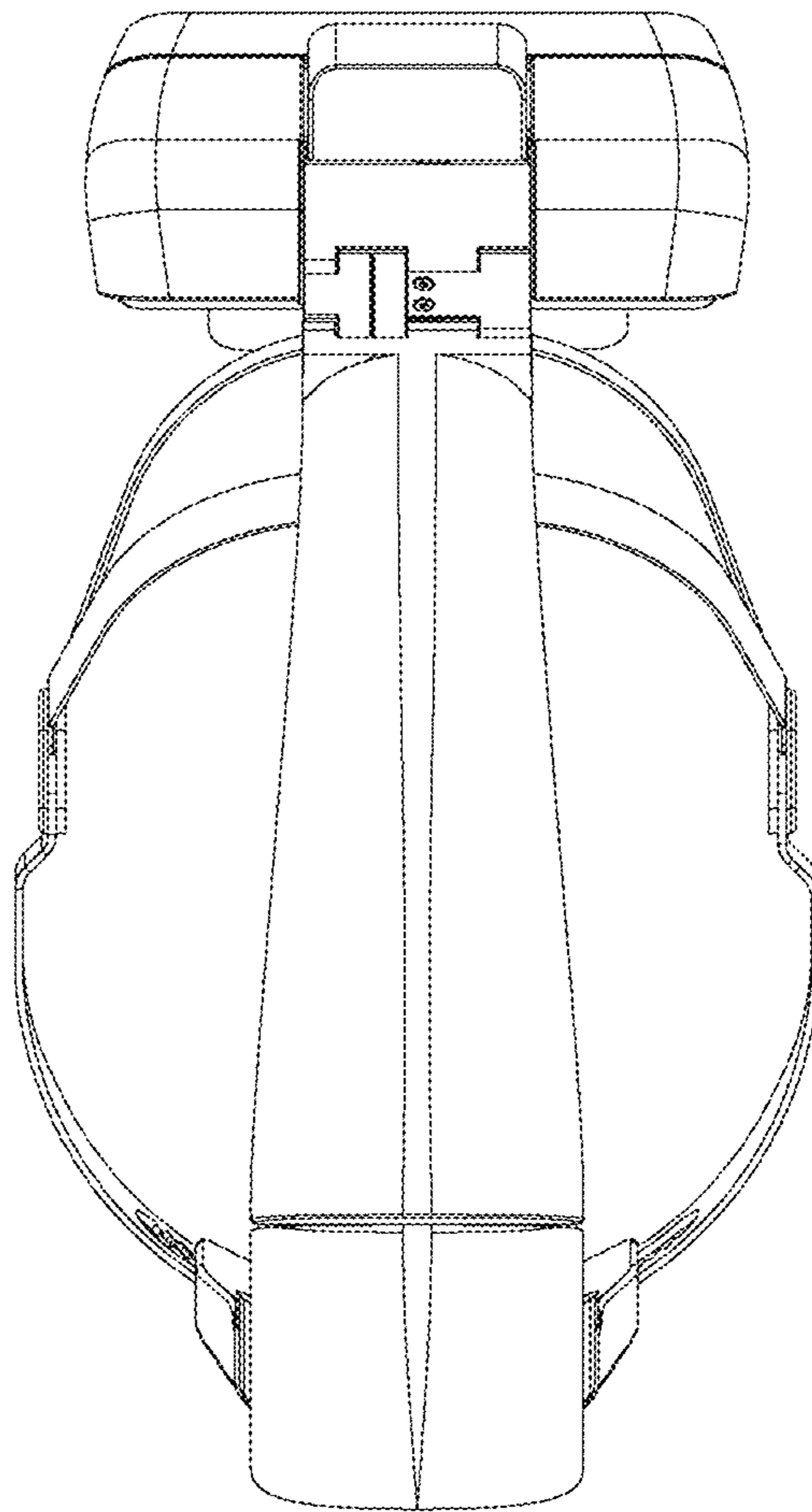


1.5

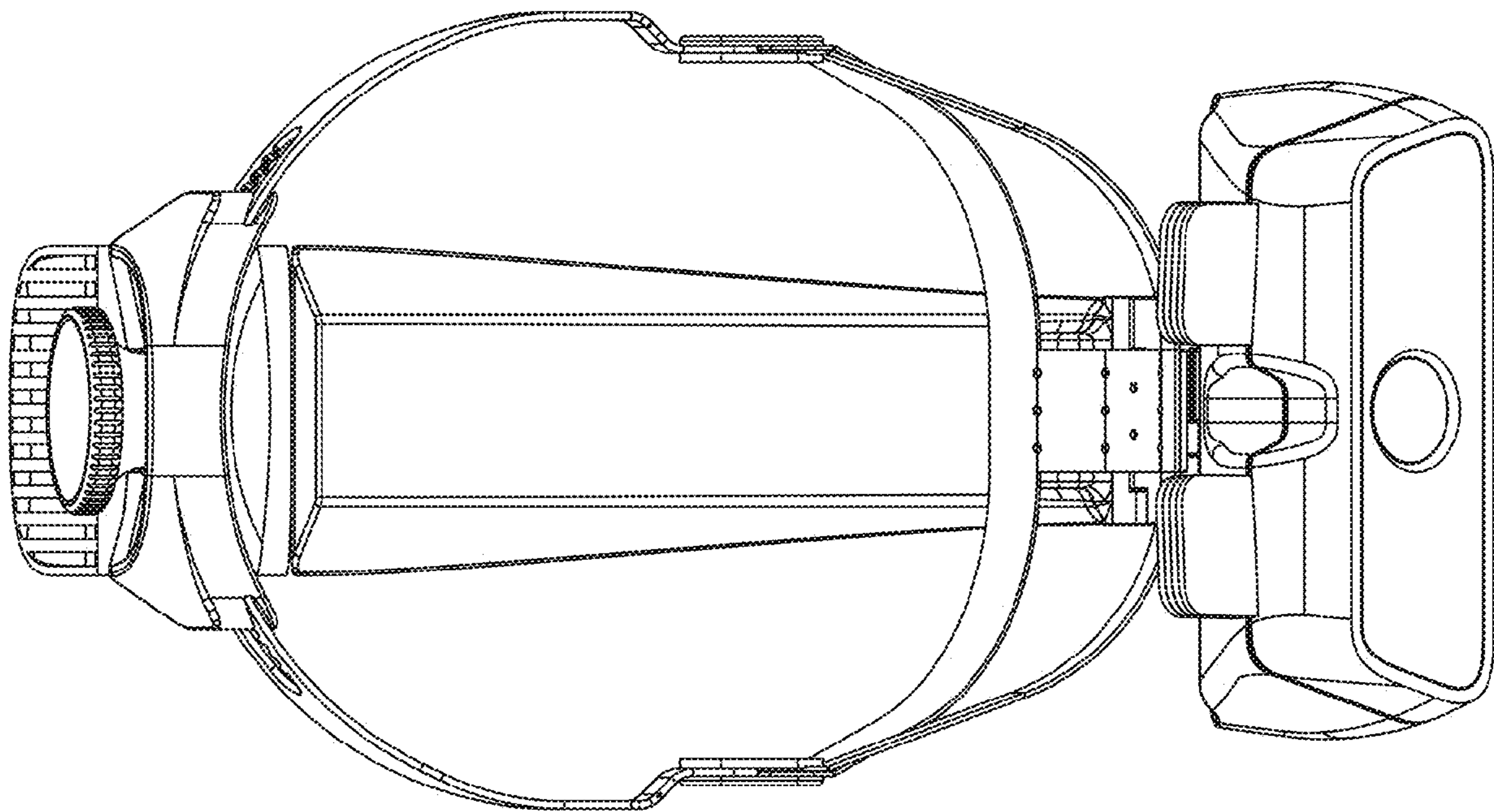




1.6



1.7



1.8