



US00D930160S

(12) **United States Design Patent** (10) **Patent No.:** **US D930,160 S**
Sin et al. (45) **Date of Patent:** **** Sep. 7, 2021**

(54) **END PLATE FOR A SPINAL FUSION CAGE**

(71) Applicants: **L&K BIOMED CO., LTD.**,
Gyeonggi-do (KR); **AEGIS SPINE, INC.**, Englewood, CO (US)

(72) Inventors: **Anthony Hunkyun Sin**, Shreveport, LA (US); **Tuan Le Anh Bui**, Lawrenceville, GA (US); **Tejpaul S. Pannu**, Birmingham, MI (US); **Gook Jin Kang**, Seoul (KR); **Youngbo Ahn**, Irvine, CA (US); **Sang Soo Lee**, Gyeonggi-do (KR); **Sun Kak Choi**, Gyeonggi-do (KR)

(**) Term: **15 Years**

(21) Appl. No.: **29/722,327**

(22) Filed: **Jan. 28, 2020**

(30) **Foreign Application Priority Data**

Sep. 11, 2019 (KR) 30-2019-0044024

(51) **LOC (13) Cl.** **24-03**

(52) **U.S. Cl.**
USPC **D24/155**

(58) **Field of Classification Search**
USPC D2/896, 902, 905, 906, 907, 908, 919,
D2/920, 921, 922, 923, 946, 947, 948,
(Continued)

(56) **References Cited**

U.S. PATENT DOCUMENTS

10,278,830 B1 * 5/2019 Walker A61F 2/4455
2011/0218629 A1 * 9/2011 Binder A61F 2/44
623/17.16

(Continued)

OTHER PUBLICATIONS

Orthoworld, "Aegis Spine Gains FDA Clearance for AccelFix Expandable Cage", first available Oct. 9, 2019. (<https://www.orthoworld.com/aegis-spine-gains-fda-clearance-for-accelfix-expandable-cage/>) (Year: 2019).*

(Continued)

Primary Examiner — April Rivas
Assistant Examiner — Justin A Johnson
(74) *Attorney, Agent, or Firm* — Medler Ferro Woodhouse & Mills PLLC

(57) **CLAIM**

The ornamental design for an end plate for a spinal fusion cage, as shown and described.

DESCRIPTION

FIG. 1 is perspective view of an end plate for a spinal fusion cage showing our new design.

FIG. 2 is a front view of the end plate for a spinal fusion cage of FIG. 1.

FIG. 3 is a rear view of the end plate for a spinal fusion cage of FIG. 1.

FIG. 4 is a left side view of the end plate for a spinal fusion cage of FIG. 1.

FIG. 5 is a right side view of the end plate for a spinal fusion cage of FIG. 1.

FIG. 6 is a top view of the end plate for a spinal fusion cage of FIG. 1.

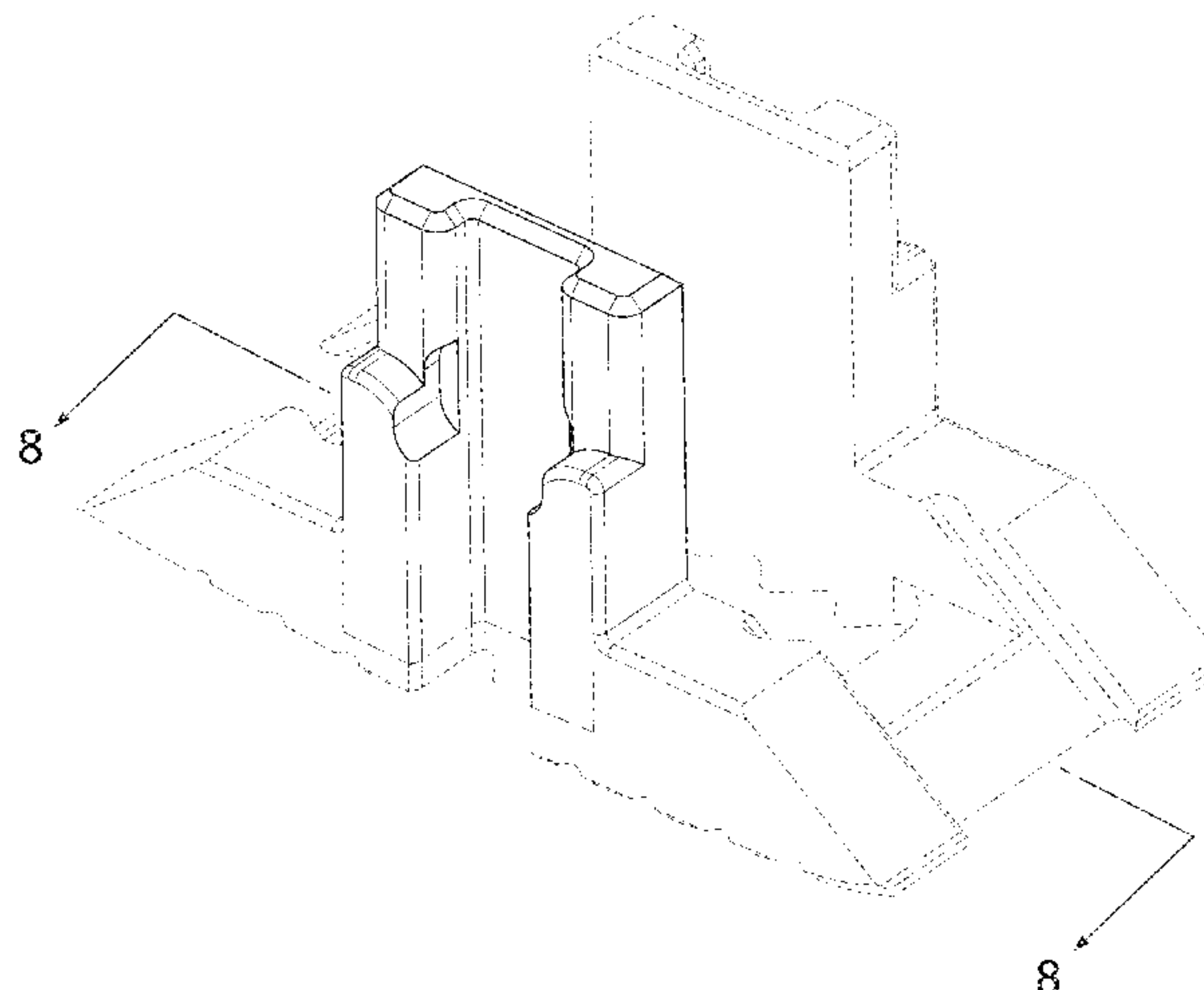
FIG. 7 is a bottom view of the end plate for a spinal fusion cage of FIG. 1.

FIG. 8 is a perspective cross-sectional view taken along line 8-8 of FIG. 1 showing the rear portion of the claimed portion of the end plate for the spinal fusion cage that is blocked by the unclaimed portion in the rear view of FIG. 3.

FIG. 9 is a perspective view of the end plate for a spinal fusion cage of FIG. 1 showing the end plate in the environment with a spinal fusion cage in an unexpanded state; and, FIG. 10 is a perspective view of the end plate for a spinal fusion cage of FIG. 1 showing the end plate in the environment with a spinal fusion cage in an expanded state.

The evenly spaced broken lines in FIGS. 1-8 illustrate portions of the end plate for a spinal fusion cage and form no part of the claimed design. The evenly spaced broken lines in FIGS. 9 and 10 illustrate portions of the end plate for a spinal fusion cage and the environment of the spinal fusion

(Continued)



cage for which the end plate is used, and form no part of the claimed design. The short-long-short broken lines in the drawings illustrate bounds of the claim and form no part of the claimed design.

2207/30052

See application file for complete search history.

1 Claim, 10 Drawing Sheets

(58) **Field of Classification Search**

USPC D2/949, 950, 951, 952, 953, 954, 960, D2/968, 980, 983; D8/349, 382, 387, 47, D8/388, 391, 392, 393, 394, 395, 396, D8/397, 398, 399, 721; D24/107, 133, D24/141, 143, 155, 171, 188, 190, 192, D24/213, 215
 CPC . A61B 17/151; A61B 17/154; A61B 17/8095; A61B 17/7058; A61B 17/58; A61F 2/00; A61F 2/0009; A61F 2/0022; A61F 2/0063; A61F 2/0077; A61F 2002/0081; A61F 2002/0086; A61F 2002/009; A61F 2002/0091; A61F 2/28; A61F 2/30; A61F 2002/30108; A61F 2002/30112; A61F 2002/30125; A61F 2002/30151; A61F 2002/30153; A61F 2002/30154; A61F 2002/30158; A61F 2002/30199; A61F 2002/30224; A61F 2002/30263; A61F 2002/30266; A61F 2002/30281; A61F 2/38; A61F 2/42; A61F 2/4225; A61F 2/44; A61F 2/4405; A61F 2/441; A61F 2002/4415; A61F 2/442; A61F 2/4425; A61F 2002/443; A61F 2/446; A61F 2/447; A61F 2/60; A61F 2002/6614; A61F 2002/6657; A61F 2002/665; A61F 2/78; A61L 27/00; A61L 2430/38; G06T

(56)

References Cited

U.S. PATENT DOCUMENTS

2013/0018466 A1* 1/2013 Yu A61F 2/4455
 623/17.16
 2016/0022438 A1* 1/2016 Lamborne A61F 2/447
 623/17.16
 2016/0199193 A1* 7/2016 Willis A61F 2/3094
 623/17.16
 2016/0213488 A1* 7/2016 Moore A61F 2/30771
 2016/0310294 A1* 10/2016 McConnell A61F 2/4684
 2017/0042696 A1* 2/2017 Larsson A61F 2/4455
 2018/0092754 A1* 4/2018 Jang A61F 2/4455
 2018/0116815 A1* 5/2018 Kuyler A61F 2/28
 2018/0221156 A1* 8/2018 Jones A61F 2/4465
 2019/0247197 A1* 8/2019 Jagannathan A61F 2/447
 2019/0388232 A1* 12/2019 Purcell A61F 2/447

OTHER PUBLICATIONS

Astura Medical, “Astura Medical Receives FDA 510”, first available May 6, 2019. (<https://asturamedical.com/press-item/asturamedical-receives-fda-510k-clearance-for-half-dome-x-expandable-posterior-lumbar-interbody-system/>) (Year: 2019).*
 Youtube, “AccelFix XT3”, first available Apr. 10, 2020. (<https://www.youtube.com/watch?v=UtPICj7NRV0>) (Year: 2020).*
 Ortho Spine News, “Safe and Efficacious Treatment of Spondylolisthesis”, first available Dec. 1, 2020. (<https://orthospinenews.com/2020/12/01/safe-and-efficacious-treatment-of-spondylolisthesis-via-mis-tlif-approach-with-the-flarehawk-expandable-cage/>) (Year: 2020).*

* cited by examiner

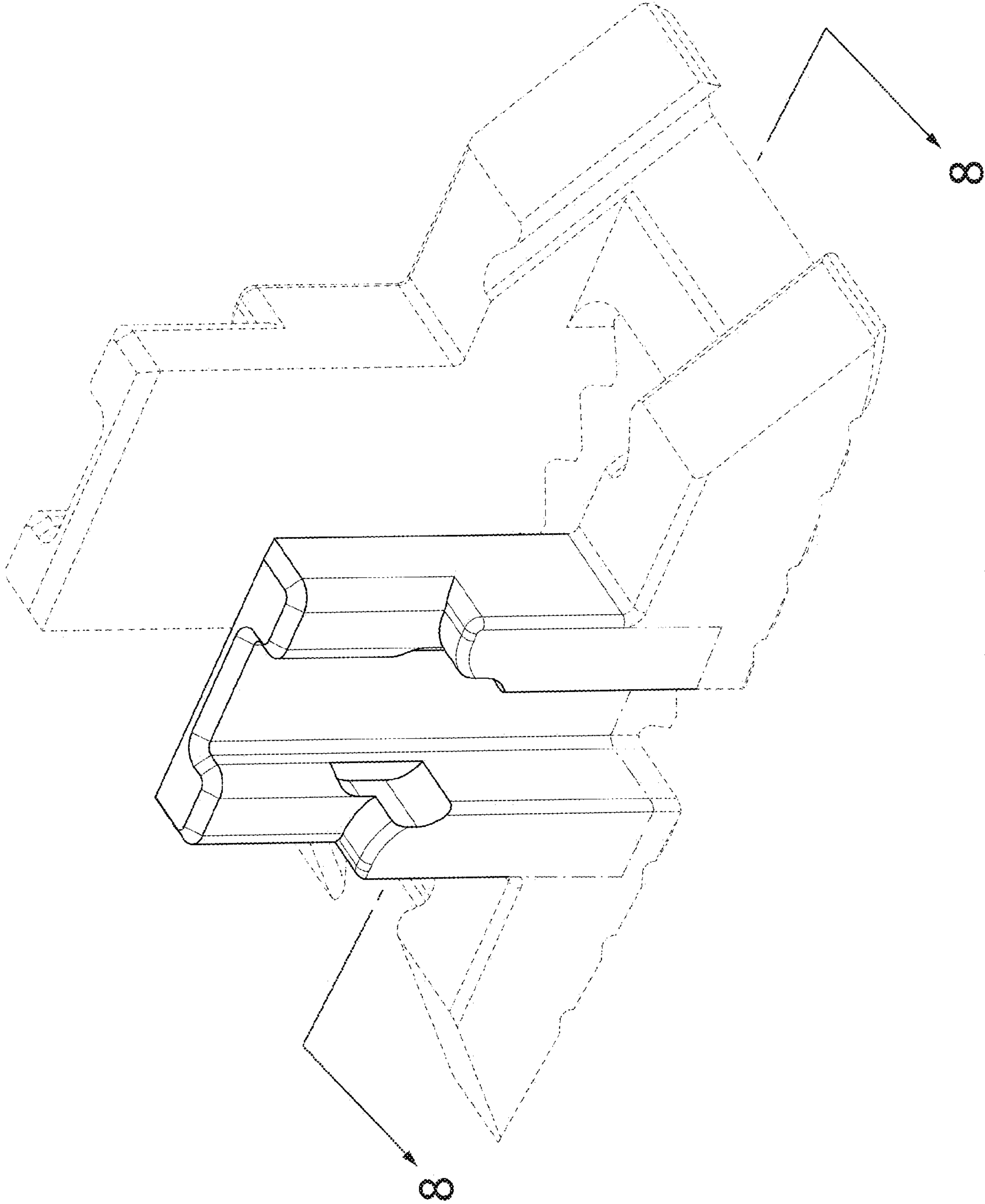


FIG. 1

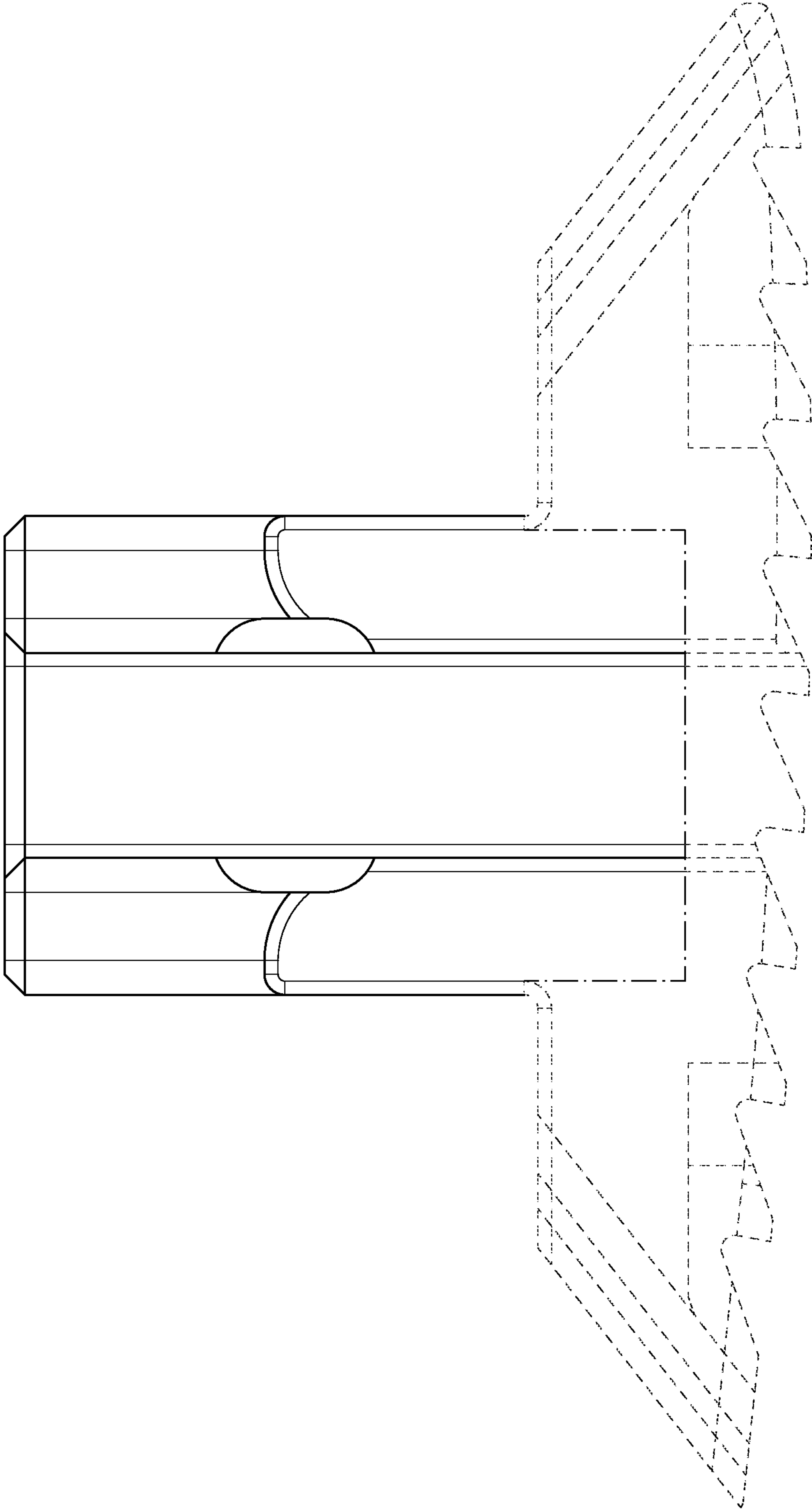


FIG. 2

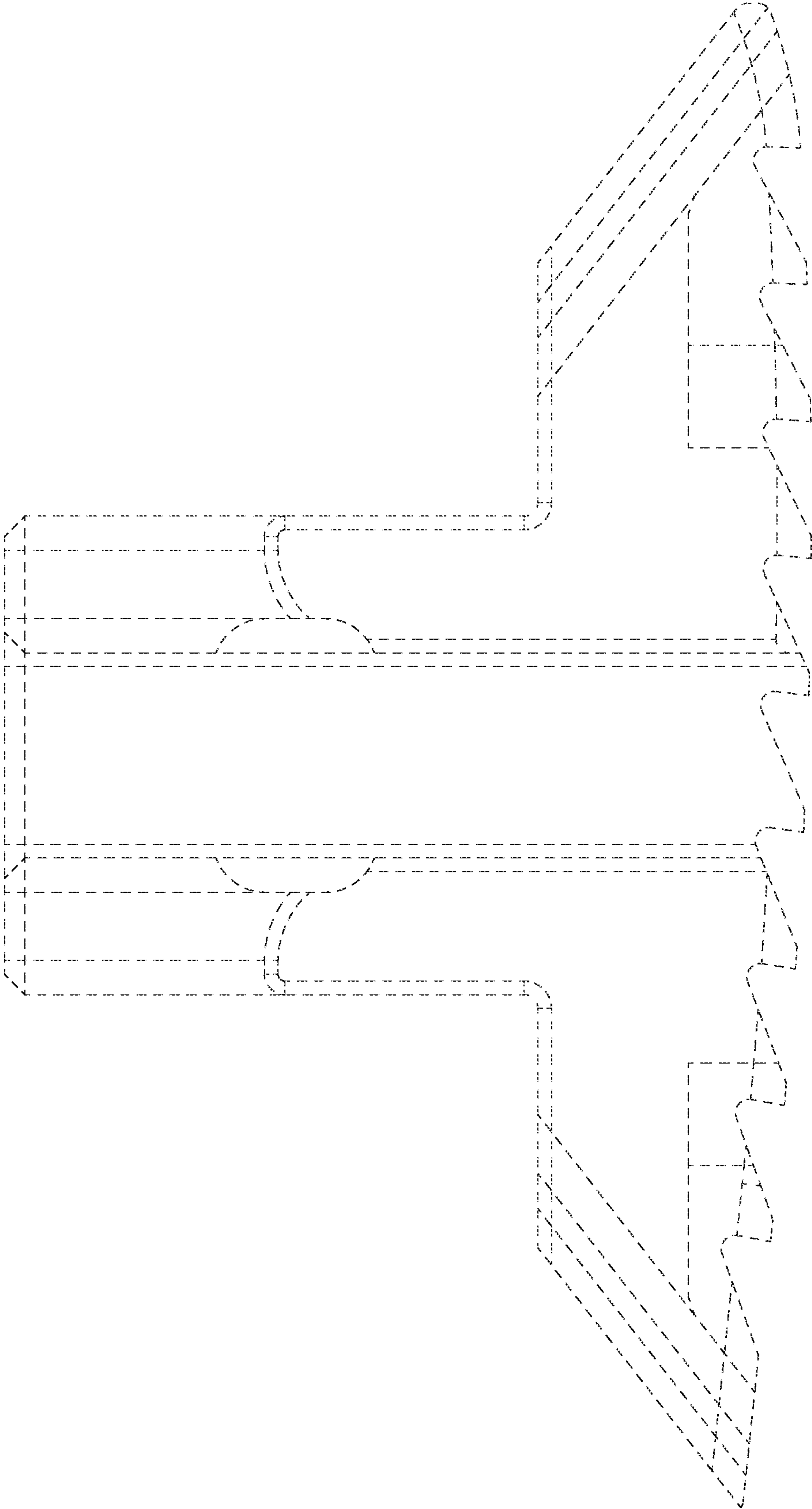


FIG. 3

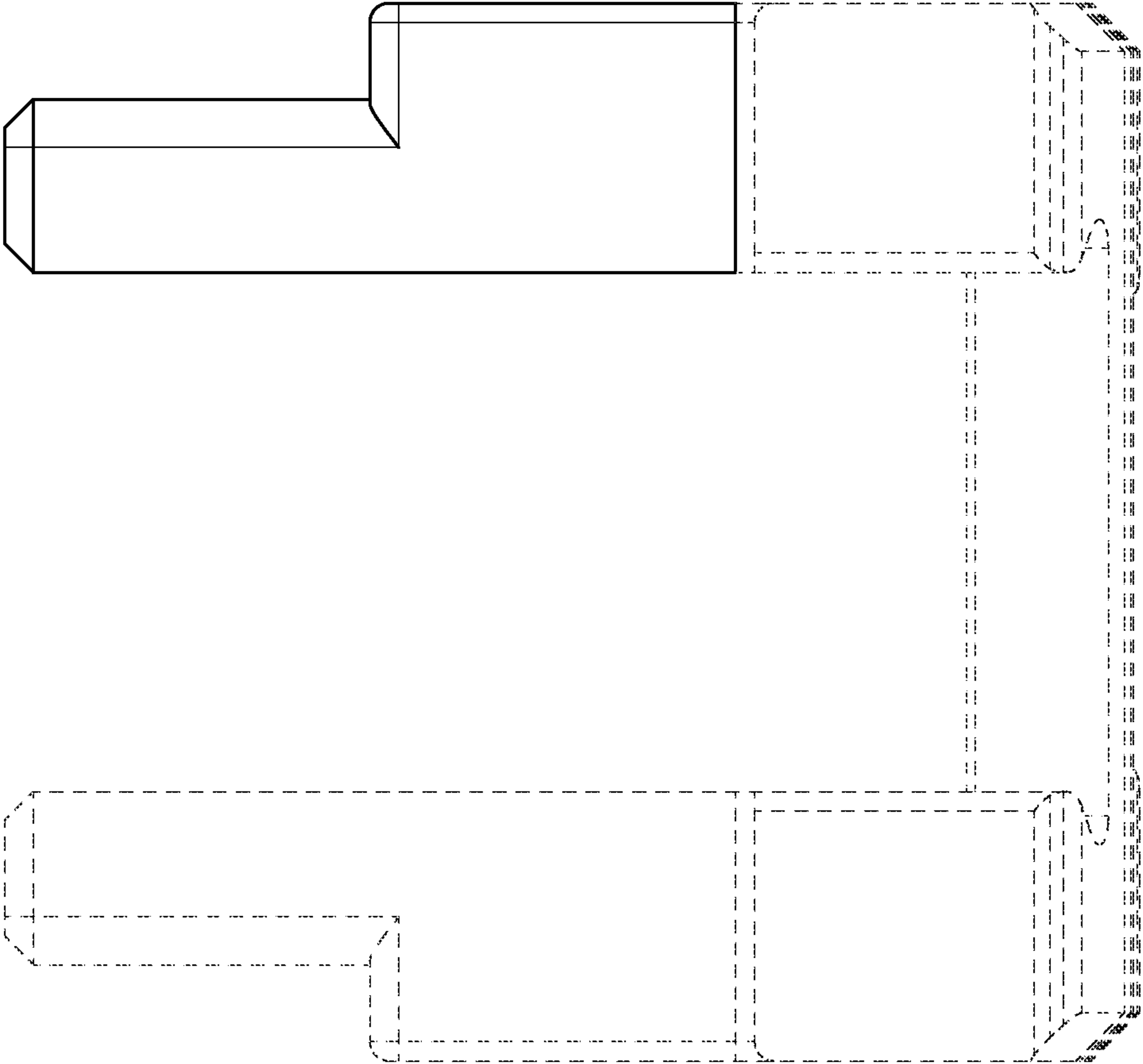


FIG. 4

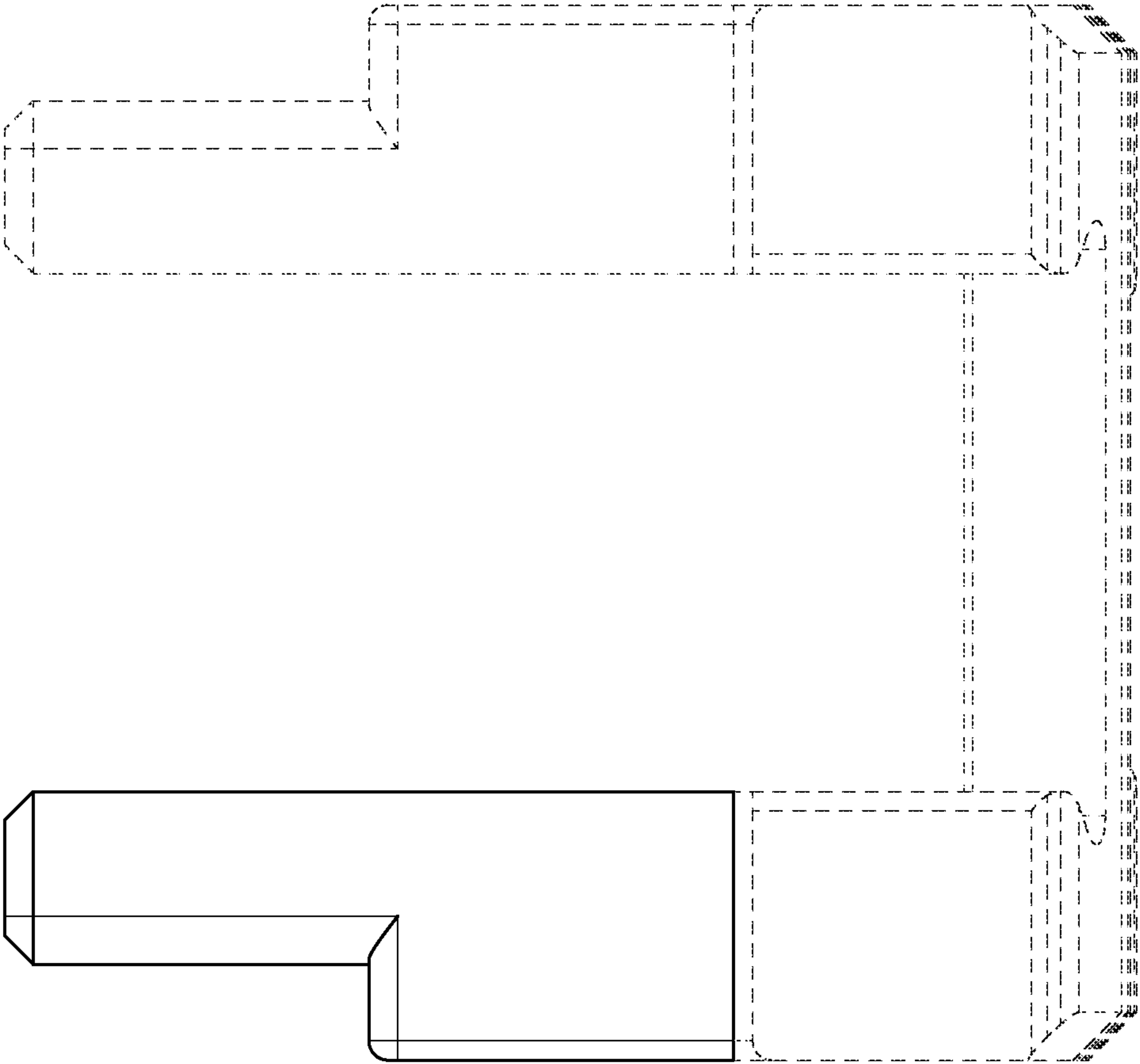


FIG. 5

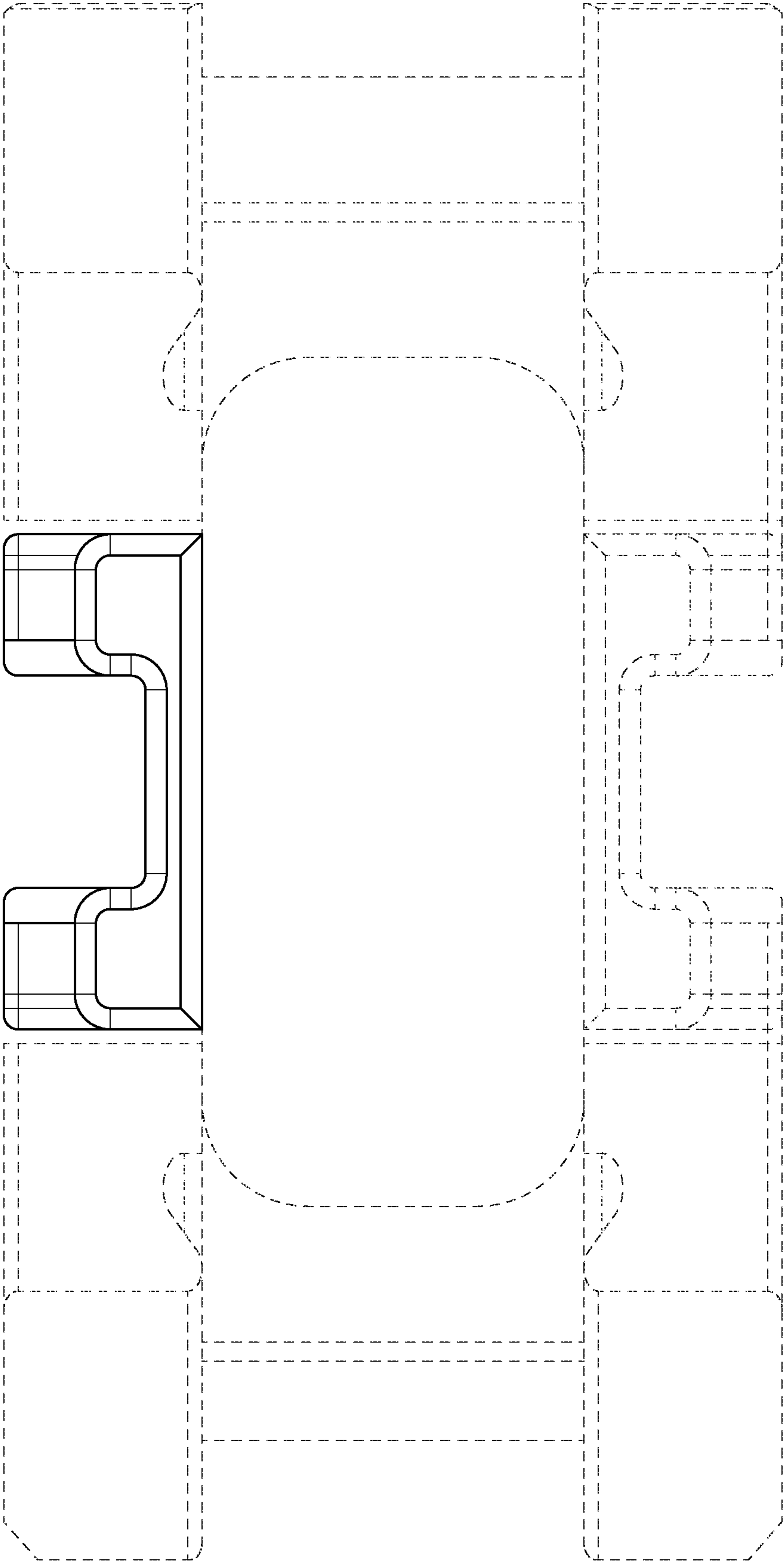


FIG. 6

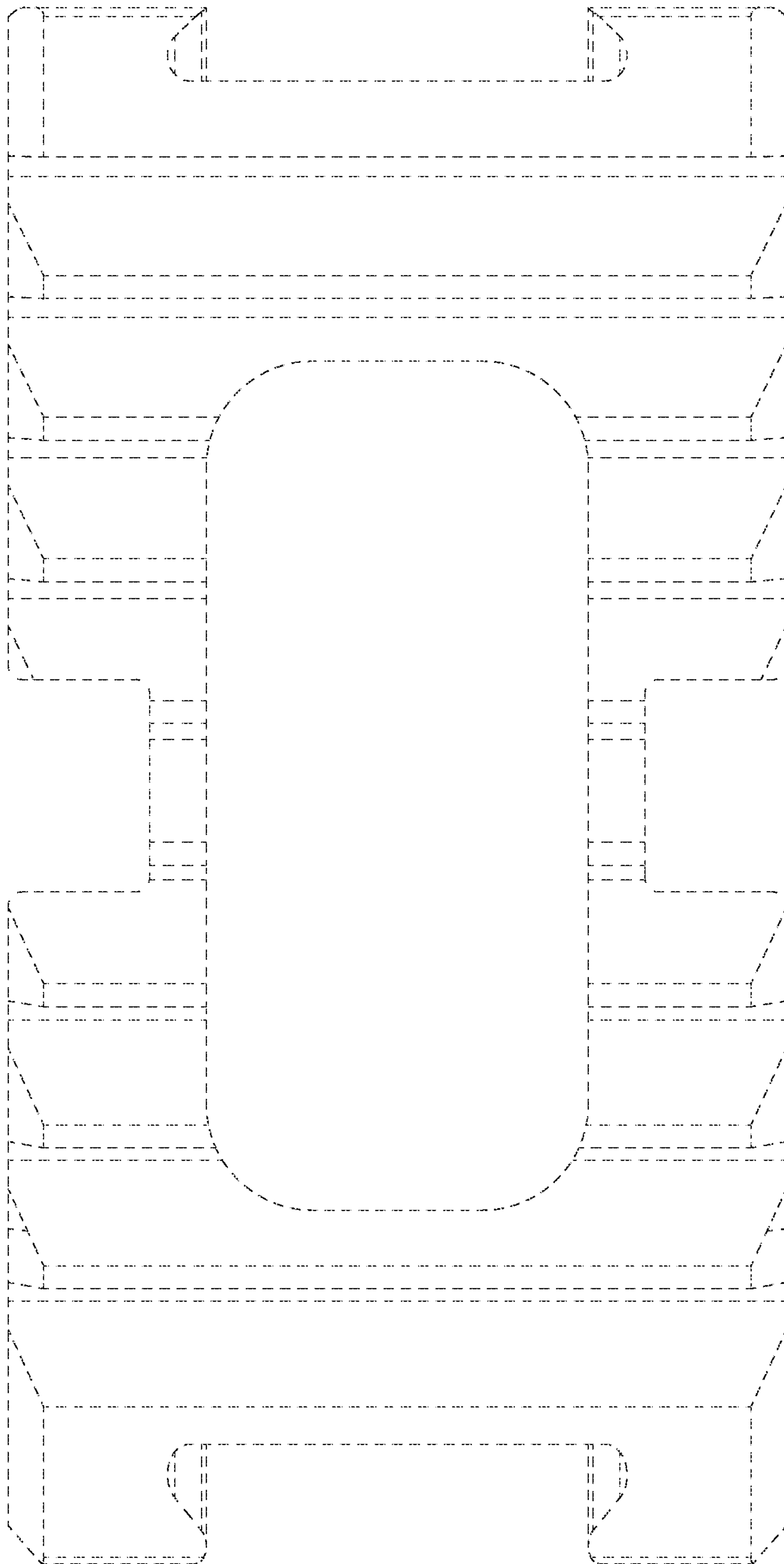


FIG. 7

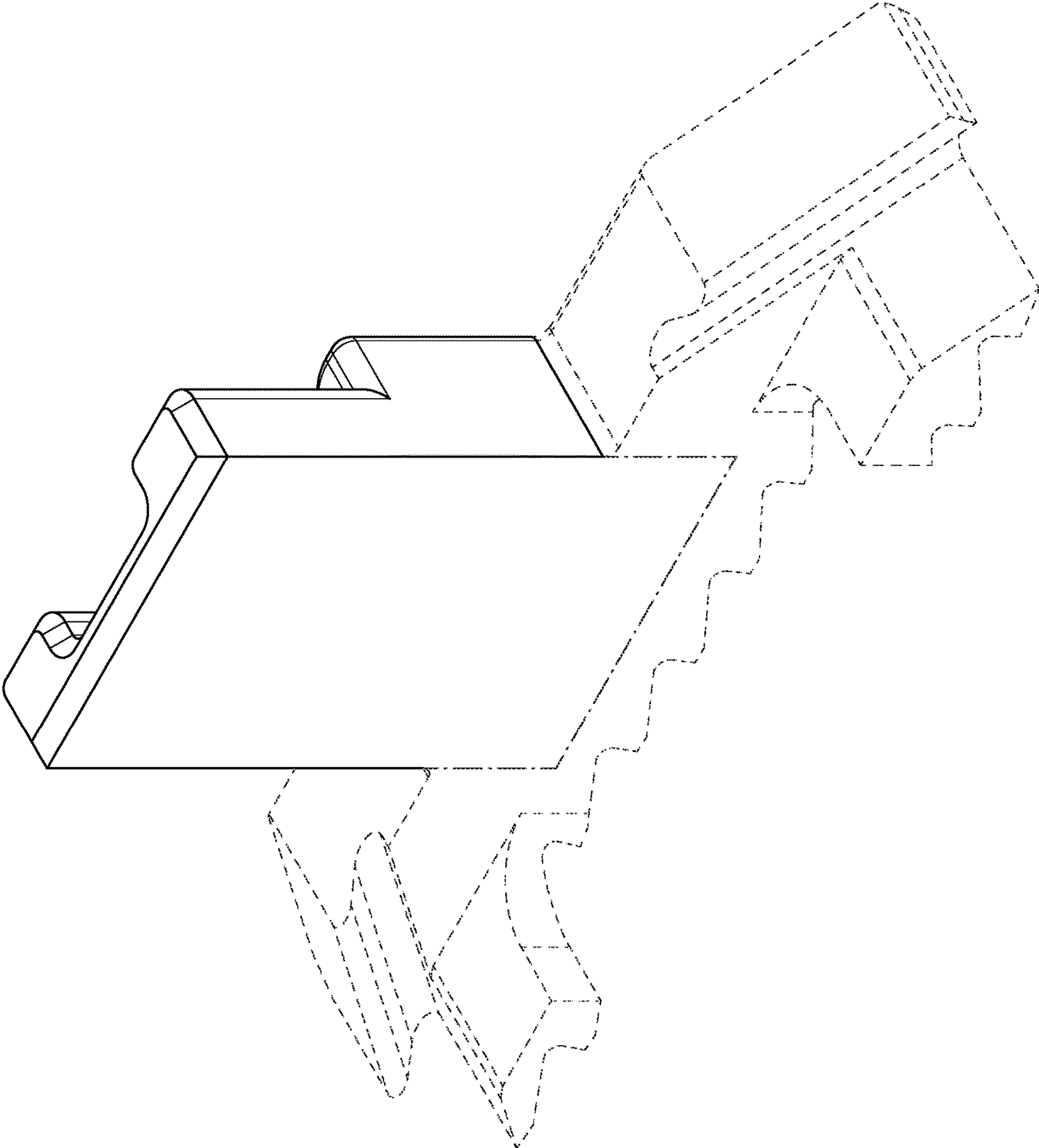


FIG. 8

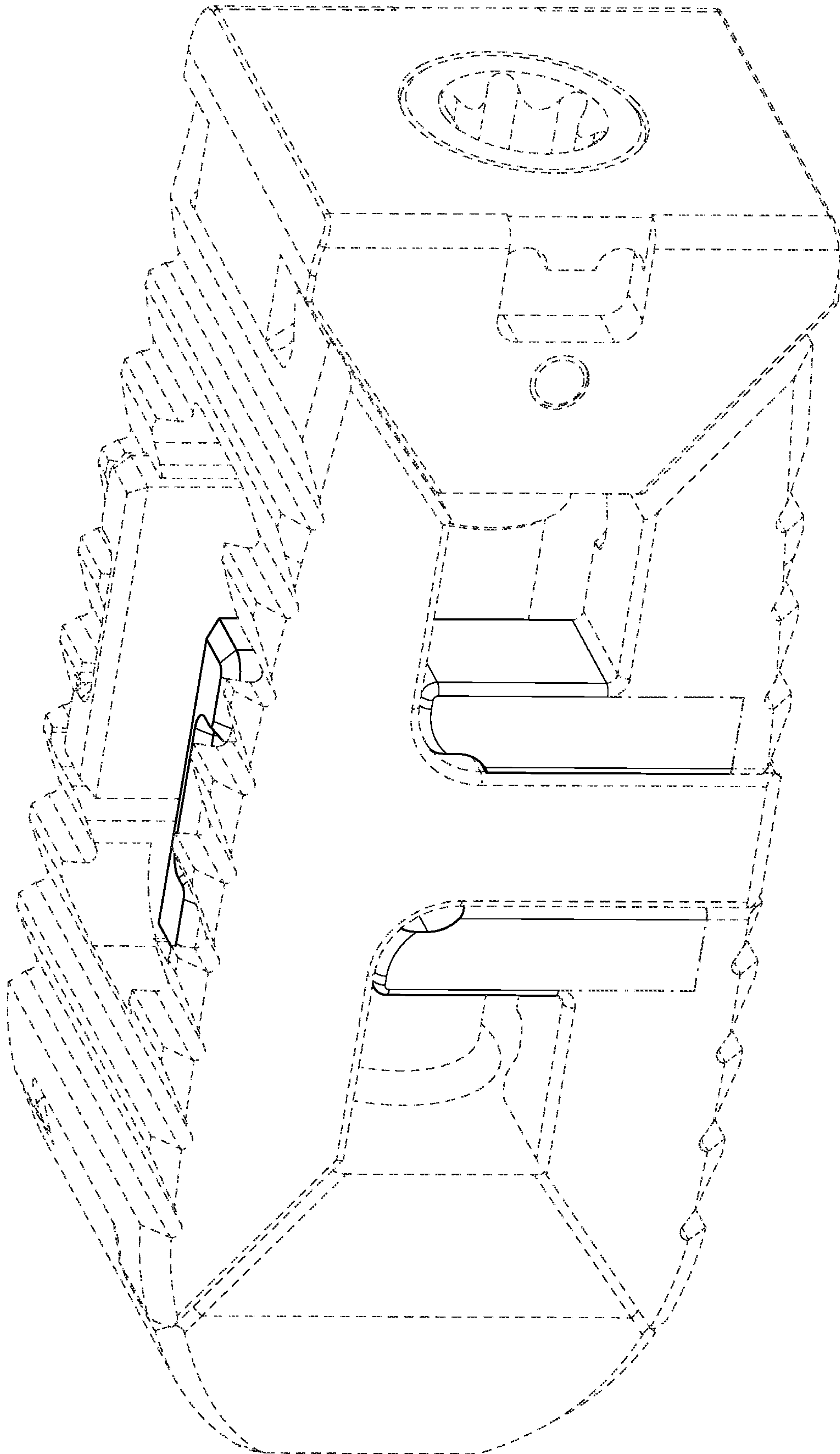


FIG. 9

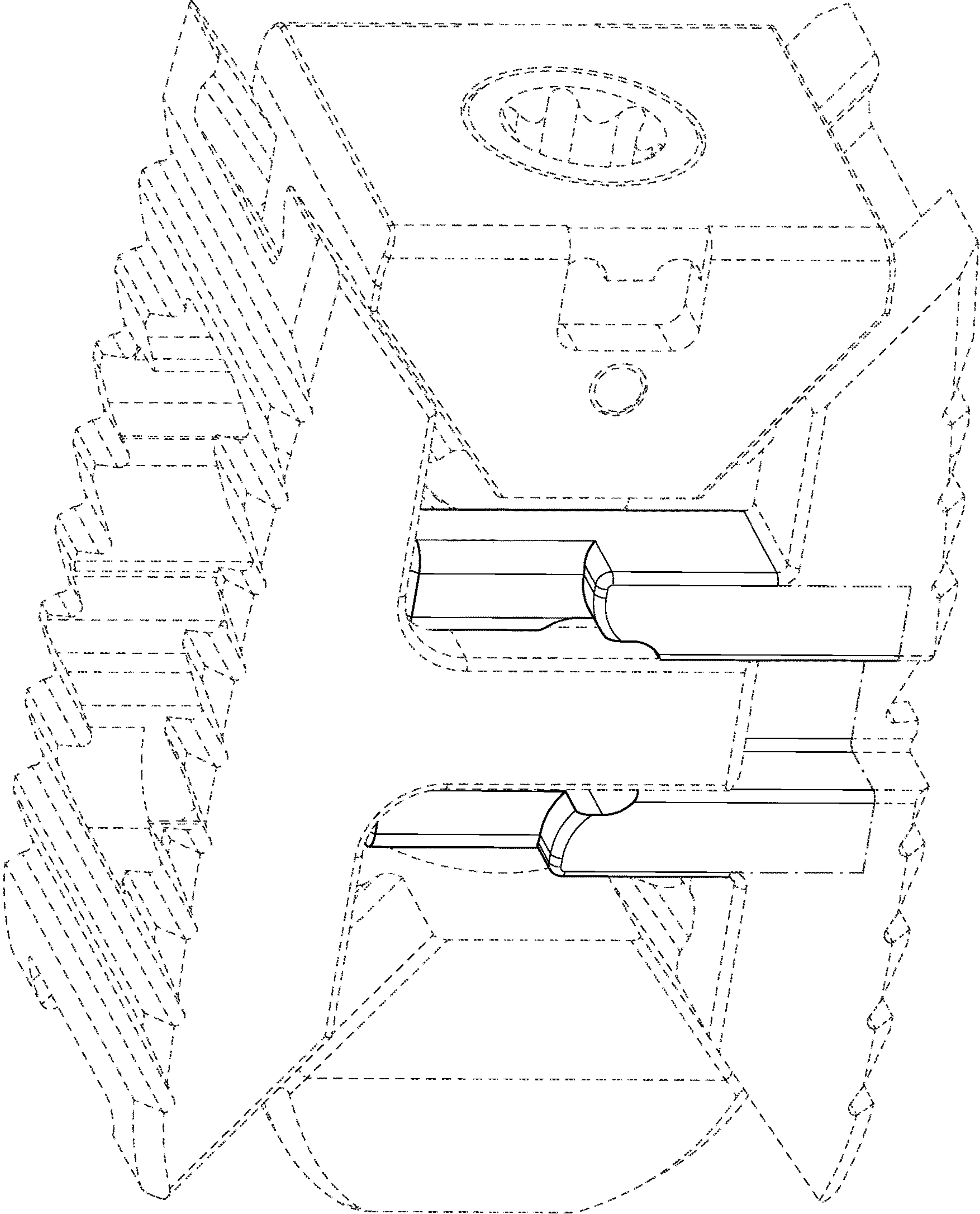


FIG. 10