

US00D930159S

(12) **United States Design Patent**
Hasbun

(10) **Patent No.:** **US D930,159 S**

(45) **Date of Patent:** **** Sep. 7, 2021**

(54) **H-STAPLER**

(71) Applicant: **William Miguel Hasbun**, Mount Laurel, NJ (US)

(72) Inventor: **William Miguel Hasbun**, Mount Laurel, NJ (US)

(**) Term: **15 Years**

(21) Appl. No.: **29/749,546**

(22) Filed: **Nov. 2, 2020**

(51) **LOC (13) Cl.** **24-02**

(52) **U.S. Cl.**
USPC **D24/145**

(58) **Field of Classification Search**
USPC D24/145
CPC A61B 17/064; A61B 17/068; A61B 17/07207; A61B 17/105; A61B 17/115; A61B 17/1155

See application file for complete search history.

(56) **References Cited**

U.S. PATENT DOCUMENTS

D273,130 S * 3/1984 Green D24/145
D277,029 S * 1/1985 Blake, III D24/145

D297,261 S * 8/1988 Blake, III D24/145
D318,529 S * 7/1991 Matsutani D24/145
7,438,208 B2 * 10/2008 Larson A61B 17/068
227/175.1
8,579,179 B2 * 11/2013 Larson A61B 17/068
227/177.1
9,241,726 B2 * 1/2016 Larson A61B 17/068
10,716,561 B2 * 7/2020 Gonzales A61B 17/064

* cited by examiner

Primary Examiner — Wan Laymon

(74) *Attorney, Agent, or Firm* — Kim IP Law Group LLC

(57) **CLAIM**

The ornamental design for an H-stapler, as shown and described.

DESCRIPTION

FIG. 1 is a side perspective view of an H-stapler in accordance with the new design; and, FIG. 2 is a partial enlarged top perspective view of the H-stapler of FIG. 1.

1 Claim, 2 Drawing Sheets

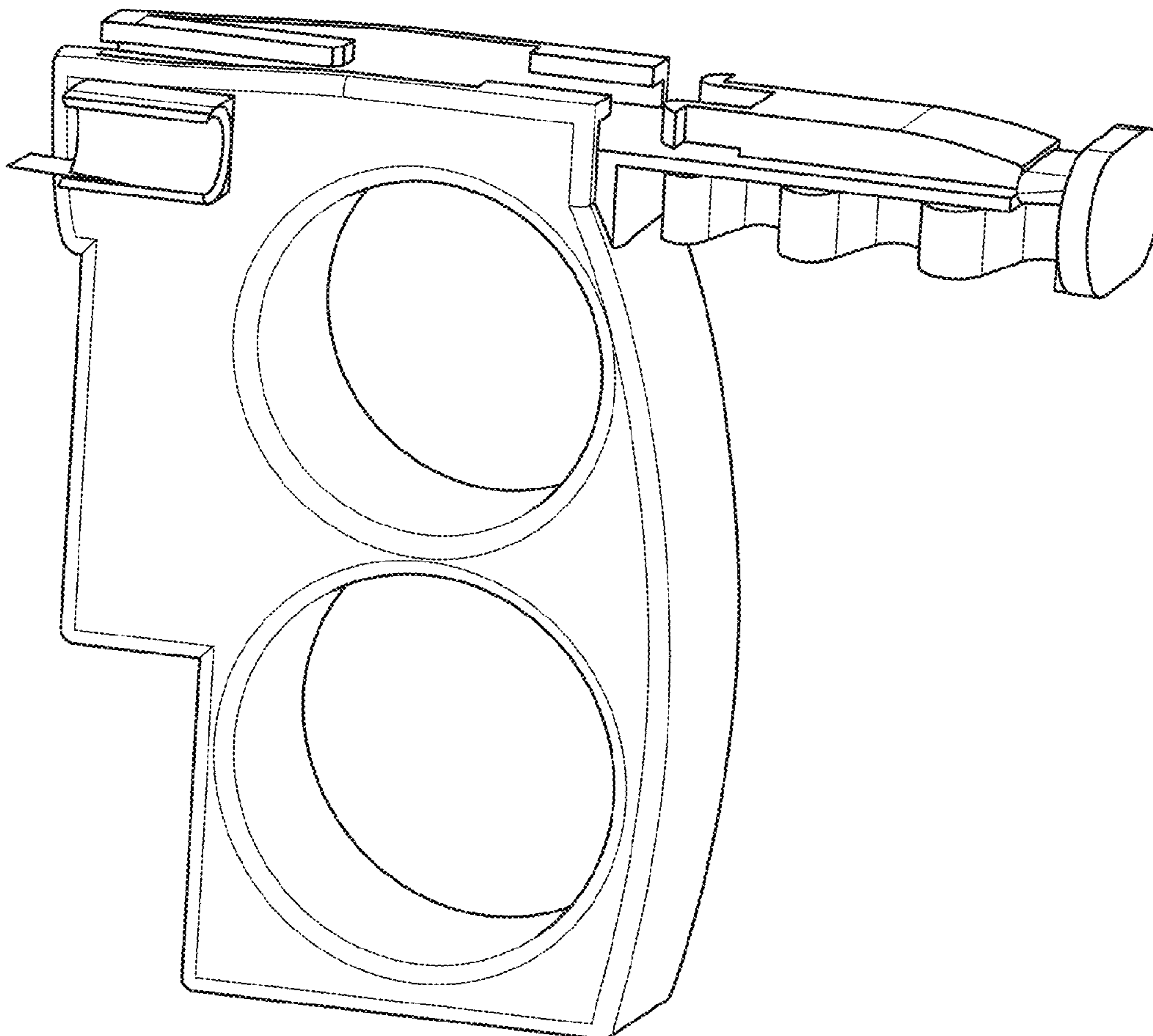


Figure 1

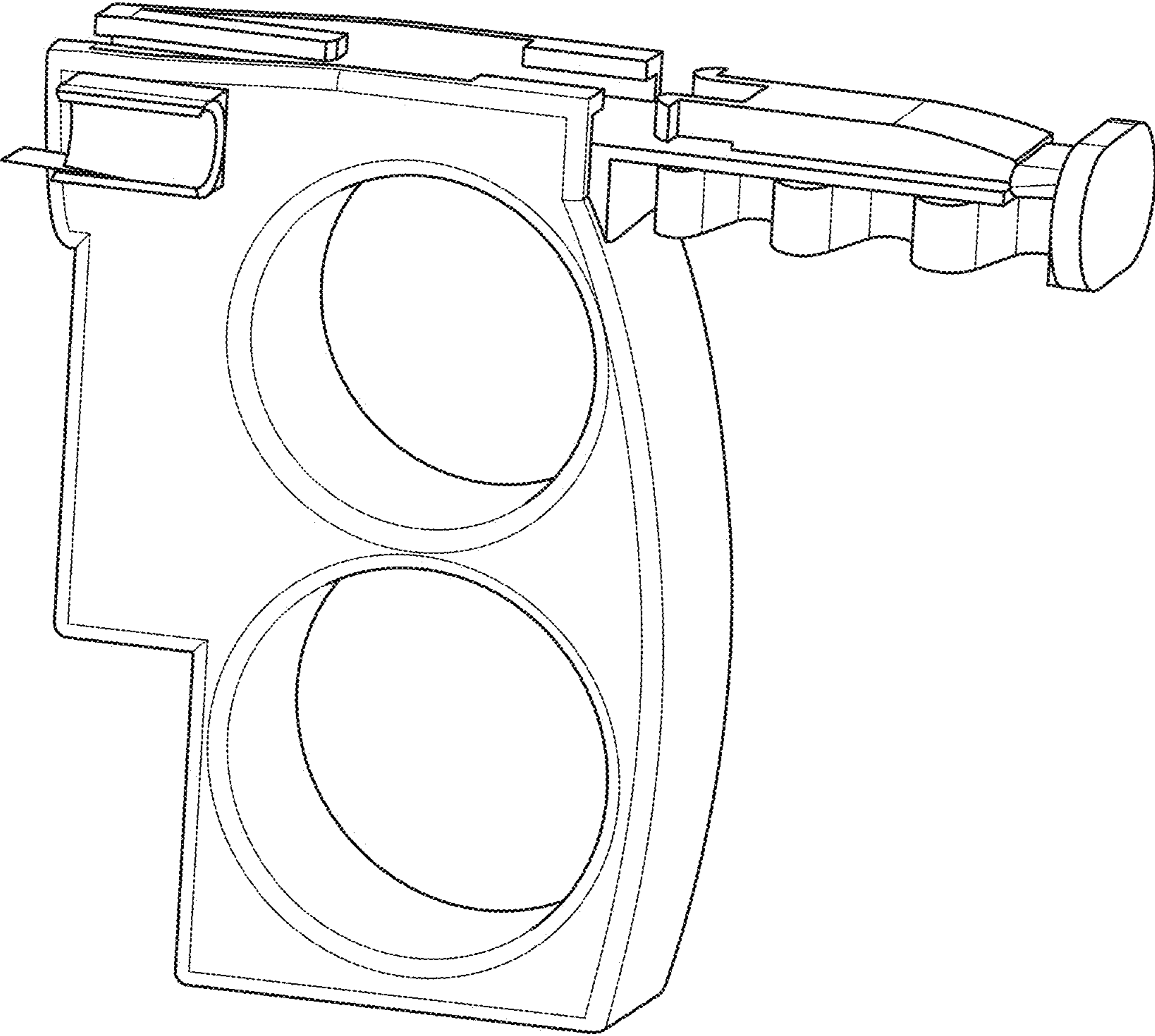


Figure 2

