



US00D930158S

(12) **United States Design Patent** (10) **Patent No.:** **US D930,158 S**
Quan (45) **Date of Patent:** **** Sep. 7, 2021**

(54) **SKIN TAG REMOVER**
(71) Applicant: **Chengjun Quan**, Shenzhen (CN)
(72) Inventor: **Chengjun Quan**, Shenzhen (CN)
(**) Term: **15 Years**
(21) Appl. No.: **29/760,675**
(22) Filed: **Dec. 3, 2020**
(51) **LOC (13) Cl.** **24-02**
(52) **U.S. Cl.**
USPC **D24/143**
(58) **Field of Classification Search**
USPC D8/374, 363, 366, 373, 376, 380, 381;
D24/143, 233, 214; D9/729
CPC A47B 91/00
See application file for complete search history.

2017/0273705 A1* 9/2017 Zallum A61B 17/32056
2018/0092646 A1* 4/2018 Copenspire A61B 17/12009
2019/0038293 A1* 2/2019 Madsen A61B 17/1227

OTHER PUBLICATIONS

<https://www.ulensy.com/product/704768272494/>; Jul. 30, 2020.
<https://www.amazon.com/dp/B082YJZJV8>; Jul. 30, 2020.

* cited by examiner

Primary Examiner — Eliza Z Bennett-Hattan
(74) *Attorney, Agent, or Firm* — Rumit Ranjit Kanakia

(57) **CLAIM**

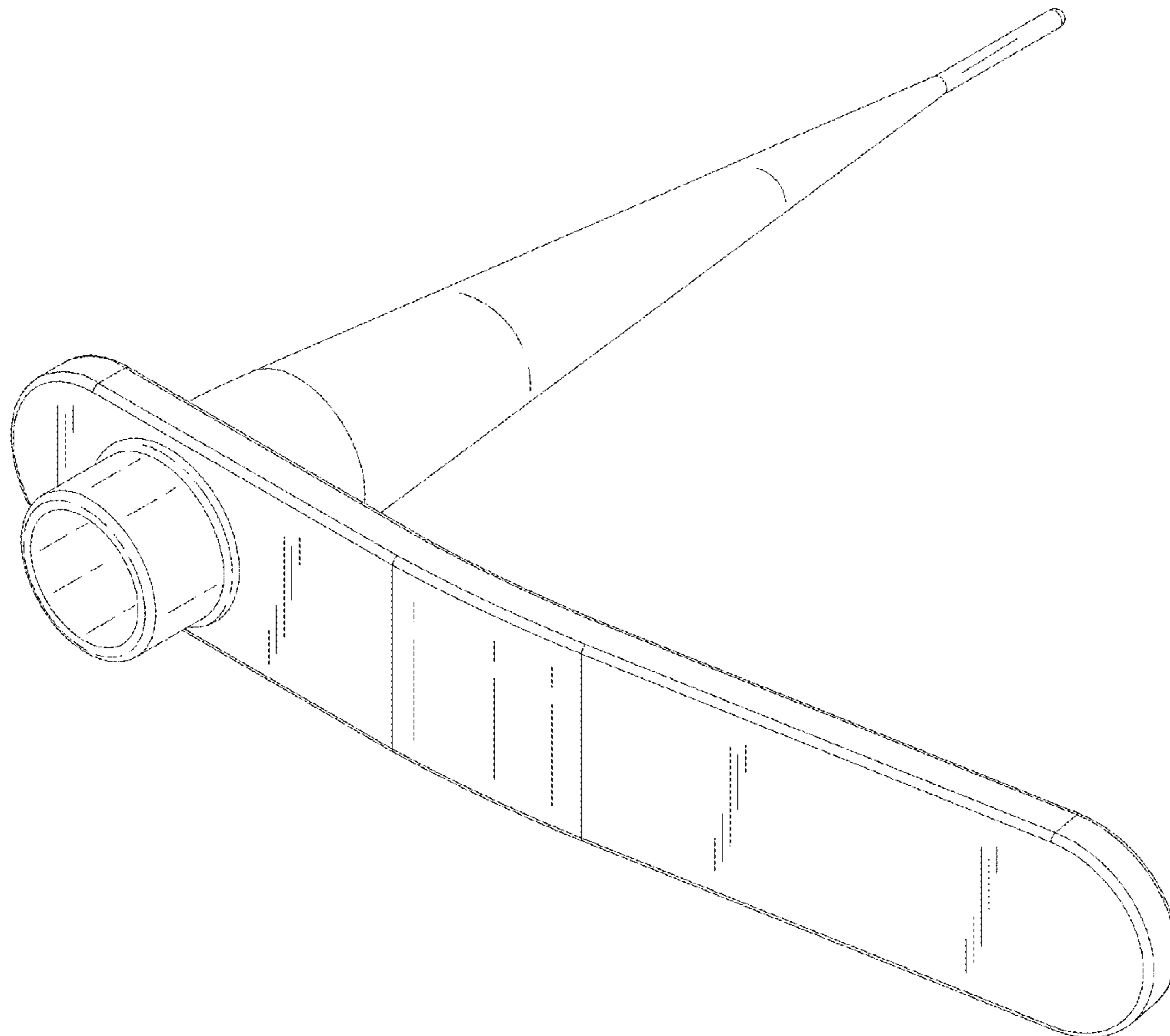
I claim the ornamental design for a skin tag remover, as shown and described.

DESCRIPTION

FIG. 1 is a Perspective view of a skin tag remover showing my new design;
FIG. 2 is a Front view thereof;
FIG. 3 is a Back view thereof;
FIG. 4 is a Right-side view thereof;
FIG. 5 is a Left-side view thereof;
FIG. 6 is a Top view thereof; and,
FIG. 7 is a Bottom view thereof.
The broken lines in the drawings depict portions of the skin tag remover that form no part of the claimed design.

(56) **References Cited**
U.S. PATENT DOCUMENTS
D749,729 S * 2/2016 Rains D24/143
D840,547 S 2/2019 Harle et al.
D865,990 S 11/2019 Ko
2010/0114131 A1* 5/2010 Rotunda A61B 17/083
606/157
2016/0143654 A1* 5/2016 Zantop A61B 17/32
606/131

1 Claim, 5 Drawing Sheets



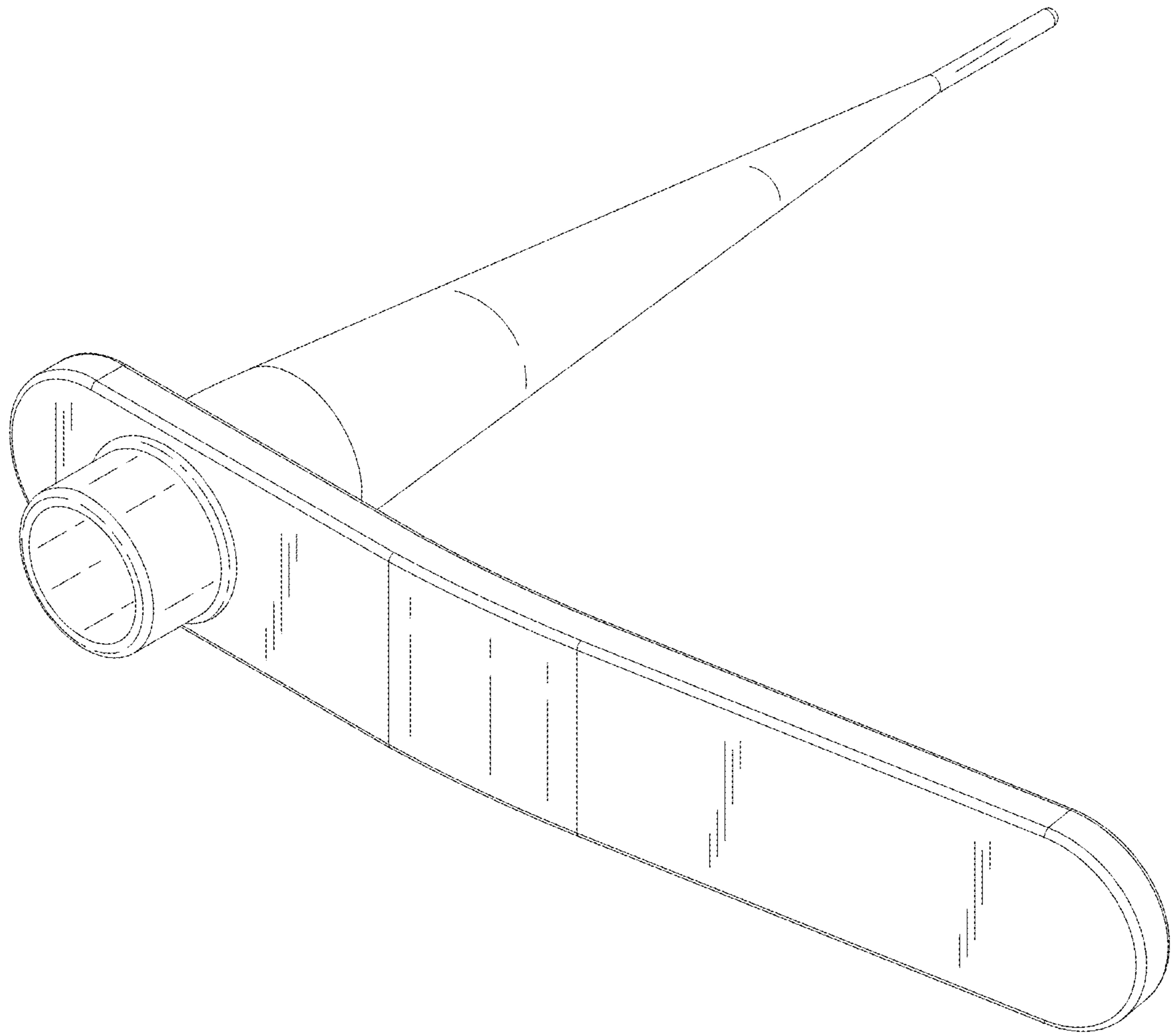


FIG. 1

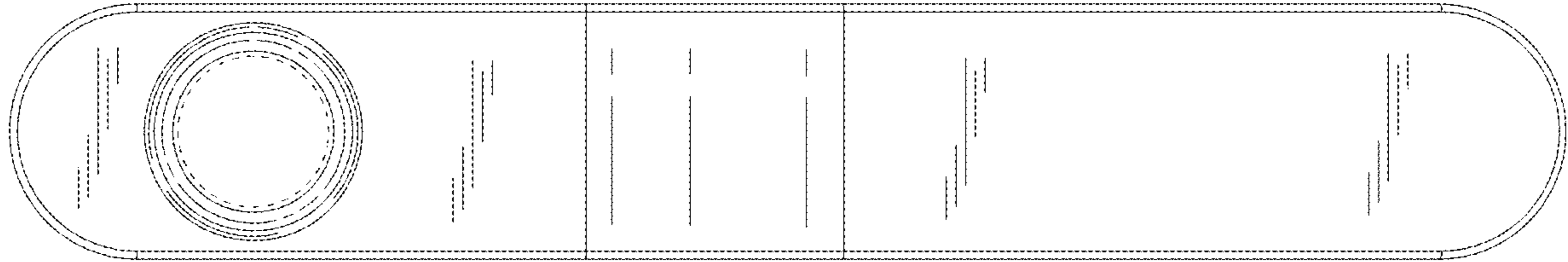


FIG. 2

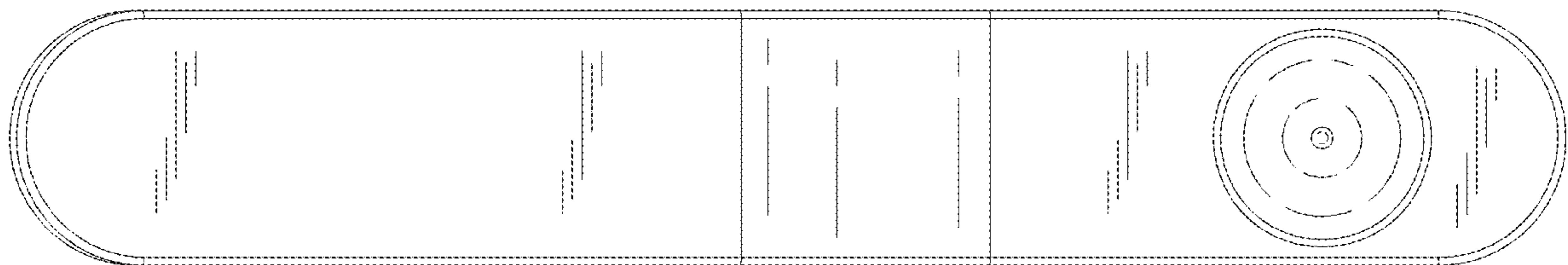


FIG. 3

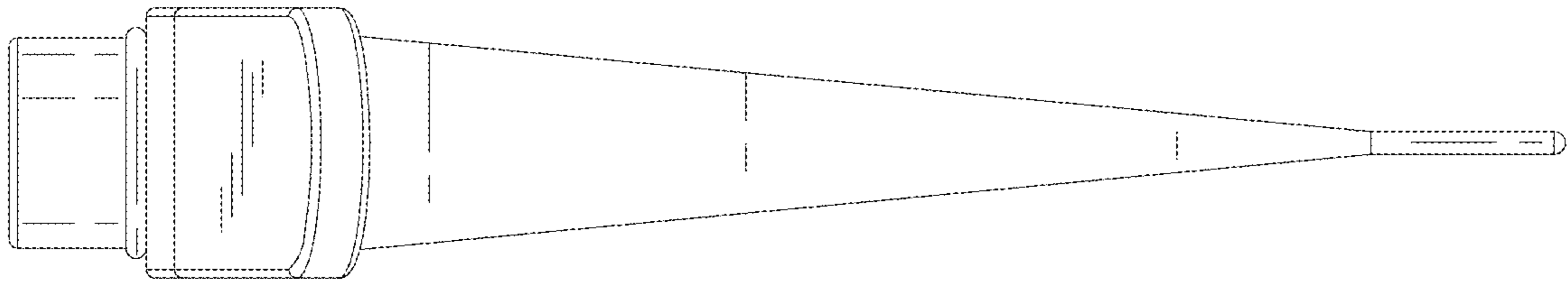


FIG. 4

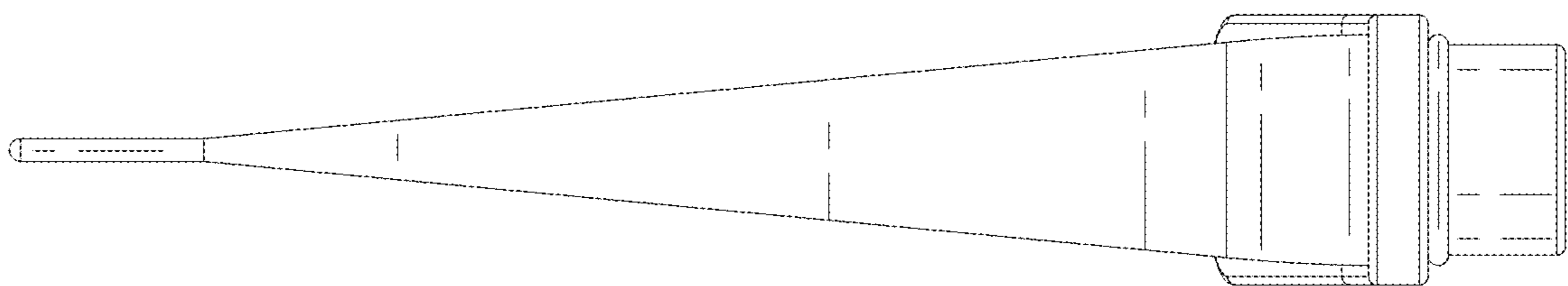


FIG. 5

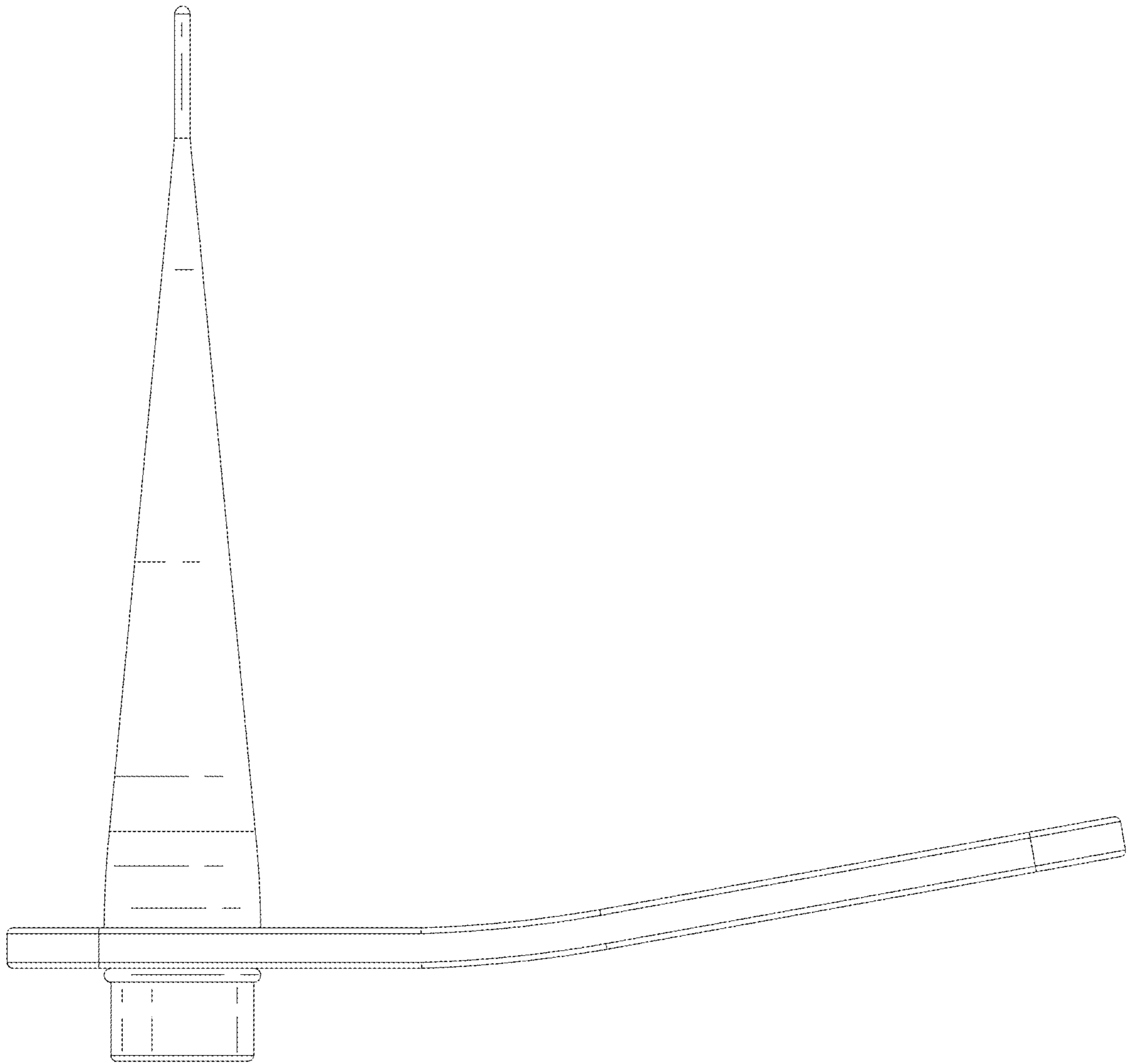


FIG. 6

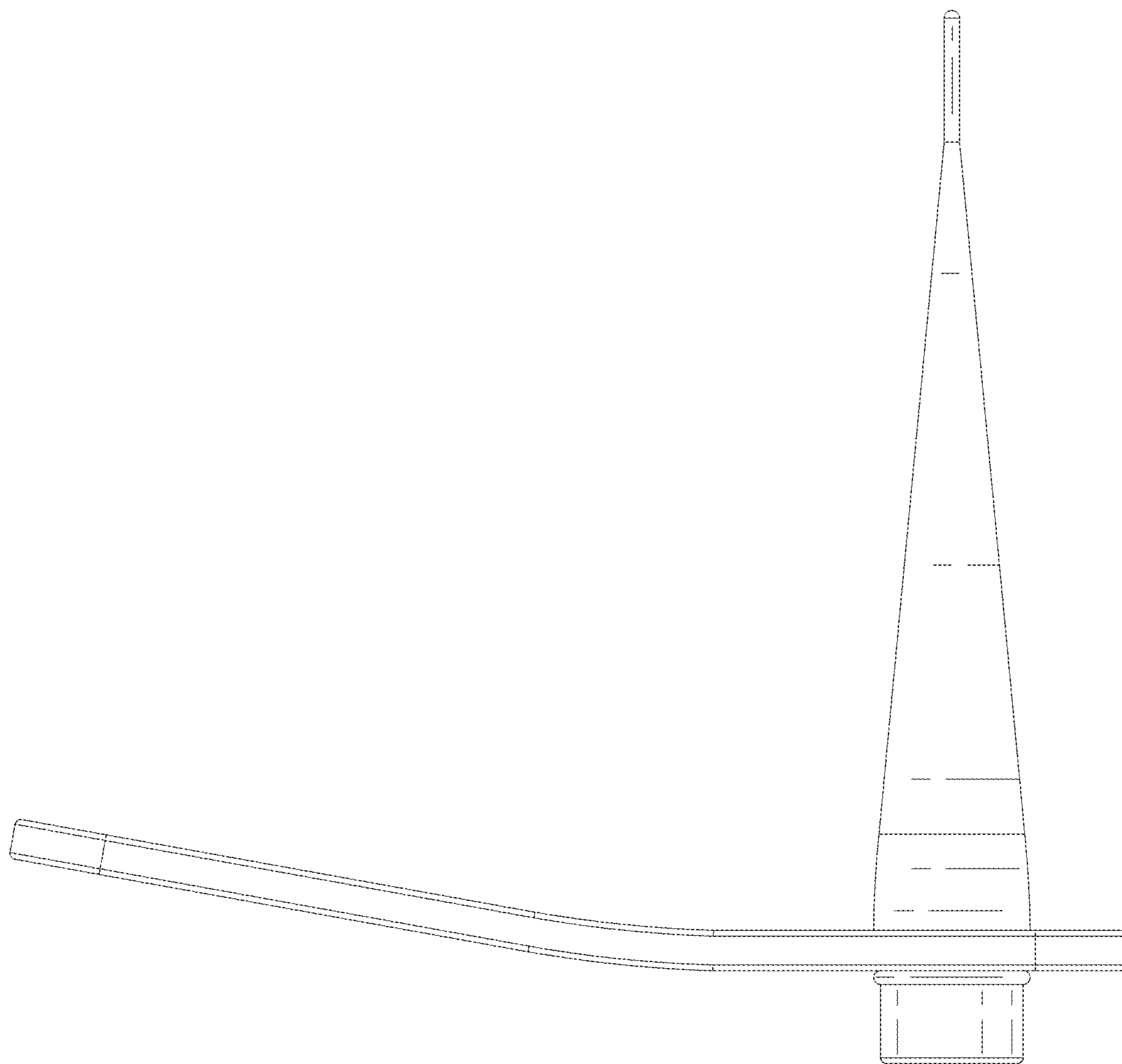


FIG. 7