



US00D930157S

(12) **United States Design Patent**
Chen

(10) **Patent No.:** **US D930,157 S**
(45) **Date of Patent:** **** Sep. 7, 2021**

- (54) **LARYNGOSCOPE BLADE**
- (71) Applicant: **Tien-Sheng Chen**, Taipei (TW)
- (72) Inventor: **Tien-Sheng Chen**, Taipei (TW)
- (**) Term: **15 Years**
- (21) Appl. No.: **29/723,486**
- (22) Filed: **Feb. 7, 2020**
- (51) **LOC (13) Cl.** **24-02**
- (52) **U.S. Cl.**
USPC **D24/137**
- (58) **Field of Classification Search**
USPC D24/133, 143, 145, 146, 147, 148, 137,
D24/138, 144, 108, 117, 135, 141, 222;
D8/51, 68, 107; 600/131, 132, 145, 146,
600/147, 185, 188, 197
CPC A61B 17/0684; A61B 17/068; A61B
17/0469; A61B 17/320092; A61B 17/32;
A61B 18/1445; A61B 1/00087; A61B
1/00098; A61B 1/0052; A61B 1/00101;
A61B 1/00066; A61B 1/0057; A61B
1/0011; A61B 1/00016; A61B 1/00; A61B
1/00052; A61B 1/267; A61B 1/04; A61B
1/06; A61B 1/2676; A61M 25/09; G06F
3/147; B29L 2031/753
See application file for complete search history.

(56) **References Cited**
U.S. PATENT DOCUMENTS

3,426,749	A *	2/1969	Jephcott	A61B 1/267 600/186
3,643,654	A *	2/1972	Felbarg	A61B 1/267 600/189
3,766,909	A *	10/1973	Ozbey	A61B 1/267 600/193
4,432,350	A *	2/1984	Breslau	A61M 19/00 600/187
4,557,256	A *	12/1985	Bauman	A61B 1/267 600/193

4,565,187	A *	1/1986	Soloway	A61B 1/267 600/193
4,573,451	A *	3/1986	Bauman	A61B 1/267 600/190
D297,363	S *	8/1988	Salerno	D24/135
4,924,855	A *	5/1990	Salerno	A61B 1/267 600/199
D316,898	S *	5/1991	Park	D24/138
5,063,907	A *	11/1991	Musicant	A61B 1/00142 600/186
D337,384	S *	7/1993	Schucman	D24/137
5,349,943	A *	9/1994	Ruiz	A61B 1/267 600/189
5,438,976	A *	8/1995	Nash	A61B 1/267 600/186
5,575,758	A *	11/1996	Easterbrook, III	A61B 1/267 600/190

(Continued)

Primary Examiner — T Chase Nelson
Assistant Examiner — Kelly L Gross
(74) *Attorney, Agent, or Firm* — Karin L. Williams; Alan D. Kamrath; Mayer & Williams PC

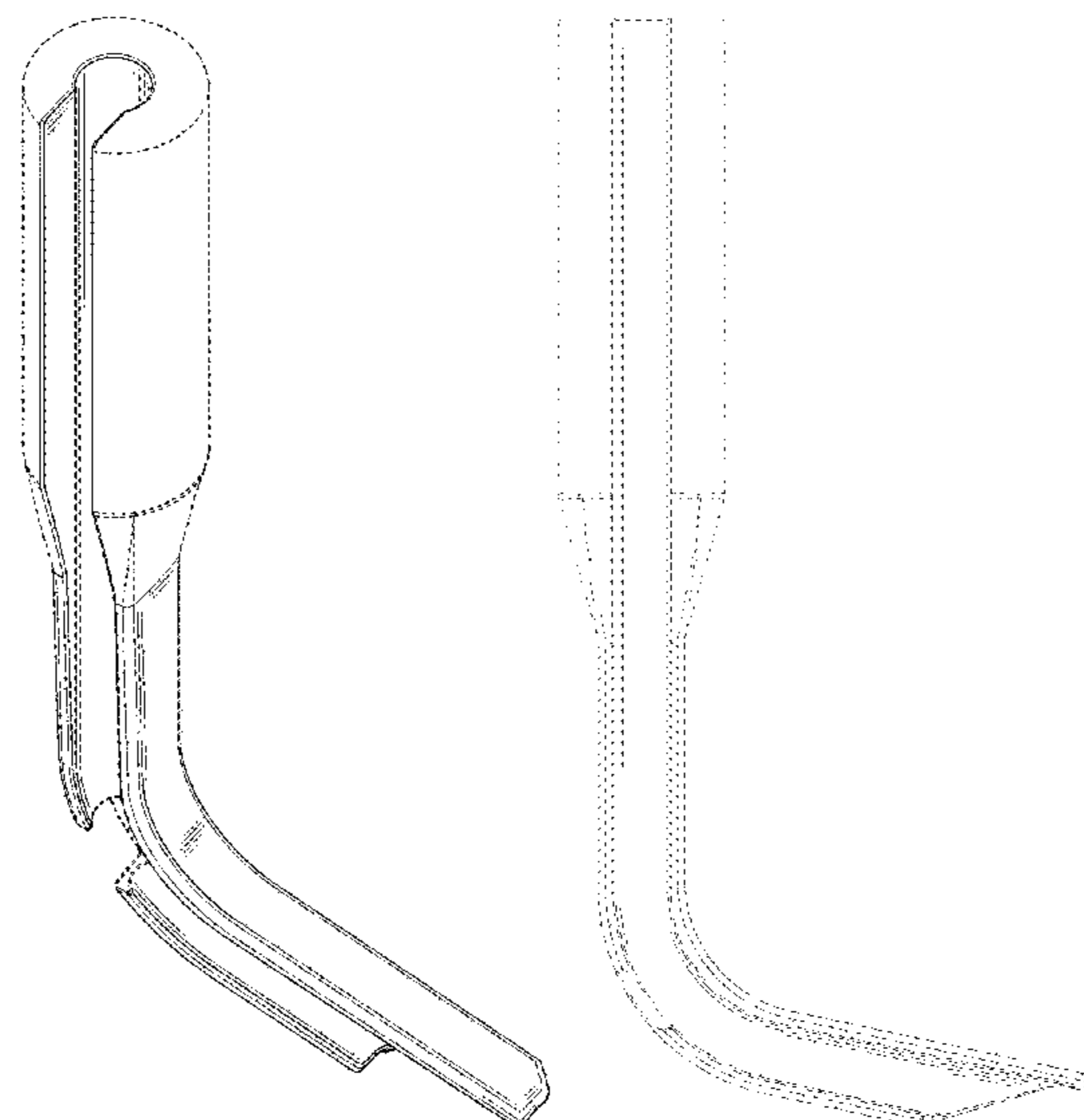
(57) **CLAIM**

The ornamental design for a laryngoscope blade, as shown and described.

DESCRIPTION

FIG. 1 is one perspective view of a laryngoscope blade with the design;
FIG. 2 is a right view thereof;
FIG. 3 is a left view thereof;
FIG. 4 is a rear view thereof;
FIG. 5 is a front view thereof;
FIG. 6 is a top view thereof; and,
FIG. 7 is a bottom view thereof.
The broken lines shown on the drawings are for the purpose of illustrating portions of the laryngoscope blade that form no part of the claimed design.

1 Claim, 5 Drawing Sheets



US D930,157 S

(56)

References Cited

U.S. PATENT DOCUMENTS

5,651,761	A *	7/1997	Upsher	A61B 1/267 600/190
D413,977	S *	9/1999	Cranton	D24/138
6,102,851	A *	8/2000	Mellin	A61B 1/267 600/193
D435,655	S *	12/2000	Tamirisa	D24/137
D491,267	S *	6/2004	Ashraf	D24/137
D512,778	S *	12/2005	Ashraf	D24/138
D534,652	S *	1/2007	McGrath	D24/135
D541,937	S *	5/2007	Yee	D24/136
D544,601	S *	6/2007	Iqbal	D24/137
D547,449	S *	7/2007	Ashraf	D24/137
D550,841	S *	9/2007	Berci	D24/133
D554,255	S *	10/2007	Iqbal	D24/137
D558,346	S *	12/2007	Darnold	D24/152
D558,347	S *	12/2007	Darnold	D24/152
D559,982	S *	1/2008	Iqbal	D24/137
D581,532	S *	11/2008	Cranton	D24/137
D584,817	S *	1/2009	Bigelow	D24/137
D605,759	S *	12/2009	Cuevas	D24/133
D608,889	S *	1/2010	Tenger	D24/137
D609,808	S *	2/2010	Tenger	D24/137
D615,645	S *	5/2010	Brigatti	D24/112
D616,087	S *	5/2010	Brigatti	D24/112
D616,088	S *	5/2010	Brigatti	D24/112
D616,540	S *	5/2010	Brigatti	D24/112
D617,444	S *	6/2010	McCauley	D24/108
7,736,304	B2 *	6/2010	Pecherer	A61B 1/267 600/197
D619,248	S *	7/2010	Yokota	D24/137
7,824,331	B1 *	11/2010	Cranton	A61B 1/0676 600/190
D630,737	S *	1/2011	Tenger	D24/137
D630,738	S *	1/2011	Tenger	D24/137
D630,739	S *	1/2011	Tenger	D24/137
D630,740	S *	1/2011	Tenger	D24/137
D630,741	S *	1/2011	Tenger	D24/137
D630,742	S *	1/2011	Tenger	D24/137
D630,743	S *	1/2011	Tenger	D24/137
D630,744	S *	1/2011	Tenger	D24/137
D630,745	S *	1/2011	Tenger	D24/137
D631,158	S *	1/2011	Doerges	D24/137
D634,008	S *	3/2011	Tenger	D24/137
D637,714	S *	5/2011	Clarke	D24/137
D637,715	S *	5/2011	Clarke	D24/137
D637,716	S *	5/2011	Clarke	D24/137
D637,717	S *	5/2011	Clarke	D24/137
D645,146	S *	9/2011	Lee	D24/137
D659,246	S *	5/2012	McGrath	D24/137
D663,026	S *	7/2012	McGrail	D24/137
D664,653	S *	7/2012	Doerges	D24/137
D683,443	S *	5/2013	Mullane	D24/110
D684,690	S *	6/2013	Senger	D24/140
D708,326	S *	7/2014	Wang	D24/137
D717,431	S *	11/2014	Cardinale	D24/133
D718,859	S *	12/2014	Pohlmann	D24/152
D724,208	S *	3/2015	Miller	D24/137
9,095,298	B2 *	8/2015	Ashcraft	A61B 1/267
D738,501	S *	9/2015	Renner	D24/146
D739,017	S *	9/2015	Renner	A61B 1/06 D24/146
D745,669	S *	12/2015	Swift	A61B 1/00045 D24/137
D746,451	S *	12/2015	Chen	A61B 1/00066 D24/137
D748,255	S *	1/2016	McGrath	A61B 1/00052 D24/137
D791,943	S *	7/2017	Cook	D24/137
D802,131	S *	11/2017	McGrath	D24/137
D812,224	S *	3/2018	McGrath	D24/137
D816,837	S *	5/2018	Fuhr	D24/137
D820,982	S *	6/2018	Miller	D24/137
D826,403	S *	8/2018	Huels	A61B 1/267 D24/137
D829,900	S *	10/2018	Huels	A61B 1/267 D24/137
D829,901	S *	10/2018	Huels	A61B 1/267 D24/137
10,334,687	B2 *	6/2019	Kwok	G02B 6/0005
D858,764	S *	9/2019	Zimmerli	A61B 1/267 D24/137
D859,655	S *	9/2019	Zimmerli	A61B 1/267 D24/137
D859,656	S *	9/2019	Zimmerli	D24/137
D862,696	S *	10/2019	Elbaz	A61B 1/267 D24/146
D863,555	S *	10/2019	Elbaz	A61B 1/267 D24/146
D865,959	S *	11/2019	Huels	A61B 1/00142 D24/137
D868,249	S *	11/2019	Chen	D24/137
D868,964	S *	12/2019	Huels	A61B 1/267 D24/137
10,524,651	B2 *	1/2020	McGrath	A61B 1/06
D877,330	S *	3/2020	McClunan	D24/135
10,729,317	B2 *	8/2020	Eggli	A61B 1/267
10,765,302	B2 *	9/2020	Rovira Soriano	...	A61B 1/2673
10,786,145	B2 *	9/2020	Pecherer	A61B 1/267
2002/0082477	A1 *	6/2002	Kim	A61B 1/00142 600/186
2003/0018239	A1 *	1/2003	Cartledge	A61B 1/267 600/195
2003/0092967	A1 *	5/2003	Fourie	A61B 1/267 600/191
2003/0120131	A1 *	6/2003	Pecherer	A61B 1/267 600/199
2005/0240081	A1 *	10/2005	Eliachar	A61B 1/0669 600/199
2007/0129606	A1 *	6/2007	Pecherer	A61B 1/267 600/193
2007/0167686	A1 *	7/2007	McGrath	A61B 1/00016 600/188
2008/0146878	A1 *	6/2008	Frost	A61B 1/267 600/188
2008/0188717	A1 *	8/2008	Chen	A61B 1/0676 600/199
2008/0234549	A1 *	9/2008	Geist	A61B 1/00101 600/194
2008/0249370	A1 *	10/2008	Birnkrant	A61B 1/0676 600/188
2009/0299145	A1 *	12/2009	Dzwonkiewicz	A61B 1/267 600/185
2009/0318769	A1 *	12/2009	Tenger	A61B 5/0071 600/199
2010/0036204	A1 *	2/2010	Anders	A61B 1/0011 600/190
2011/0306839	A1 *	12/2011	Young	A61B 1/00052 600/188
2012/0065471	A1 *	3/2012	McGrath	A61M 16/0418 600/114
2012/0071725	A1 *	3/2012	Plevnik	A61B 1/00103 600/188
2012/0190929	A1 *	7/2012	Patel	A61B 1/00183 600/189
2012/0316398	A1 *	12/2012	Ashcraft	A61B 1/00048 600/188
2012/0330103	A1 *	12/2012	Tenger	A61M 16/0427 600/188
2013/0060089	A1 *	3/2013	McGrath	A61B 1/267 600/187
2013/0060090	A1 *	3/2013	McGrath	A61B 1/00066 600/188
2014/0135582	A1 *	5/2014	Selcho	A61B 1/267 600/188
2014/0202459	A1 *	7/2014	Iqbal	A61B 1/267 128/200.26
2014/0228645	A1 *	8/2014	Pourshams	A61B 1/00071 600/190
2015/0051447	A1 *	2/2015	Swift	A61B 1/267 600/193

(56)

References Cited

U.S. PATENT DOCUMENTS

2015/0112146 A1* 4/2015 Donaldson A61B 1/00032
600/188
2016/0000305 A1* 1/2016 Elbaz A61B 1/00066
600/193
2017/0079518 A1* 3/2017 Elbaz A61B 1/0011
2018/0008137 A1* 1/2018 Poormand A61B 1/00103
2018/0132709 A1* 5/2018 Chen A61B 1/00045
2018/0296081 A1* 10/2018 Cook A61B 1/00066
2019/0053698 A1* 2/2019 Young A61B 1/015
2019/0174991 A1* 6/2019 Rovira Soriano A61B 1/06
2020/0288961 A1* 9/2020 Elbaz A61B 1/00124
2020/0375447 A1* 12/2020 Kotamarti A61B 1/00131
2020/0397274 A1* 12/2020 Velez Rivera A61B 1/0008

* cited by examiner

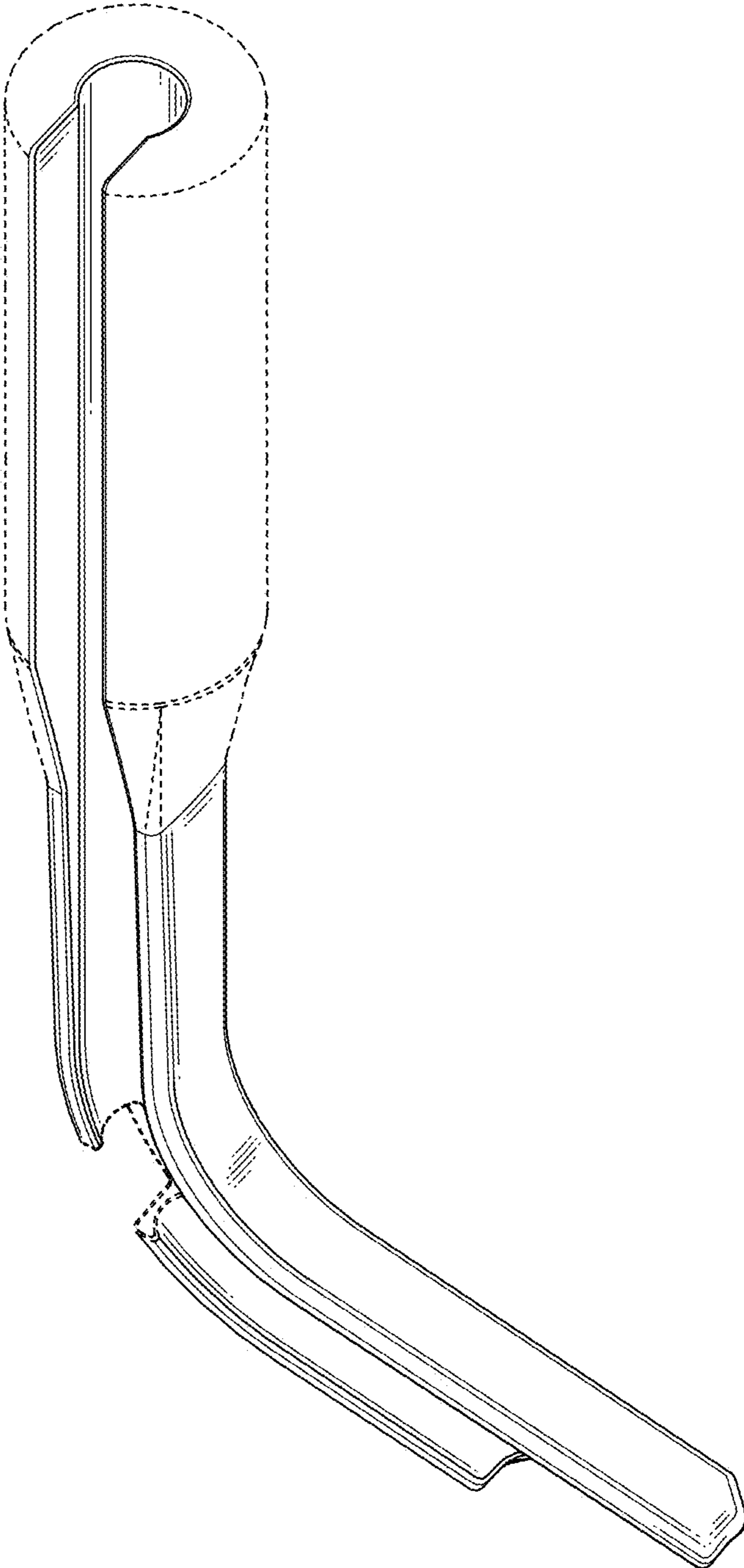


FIG. 1

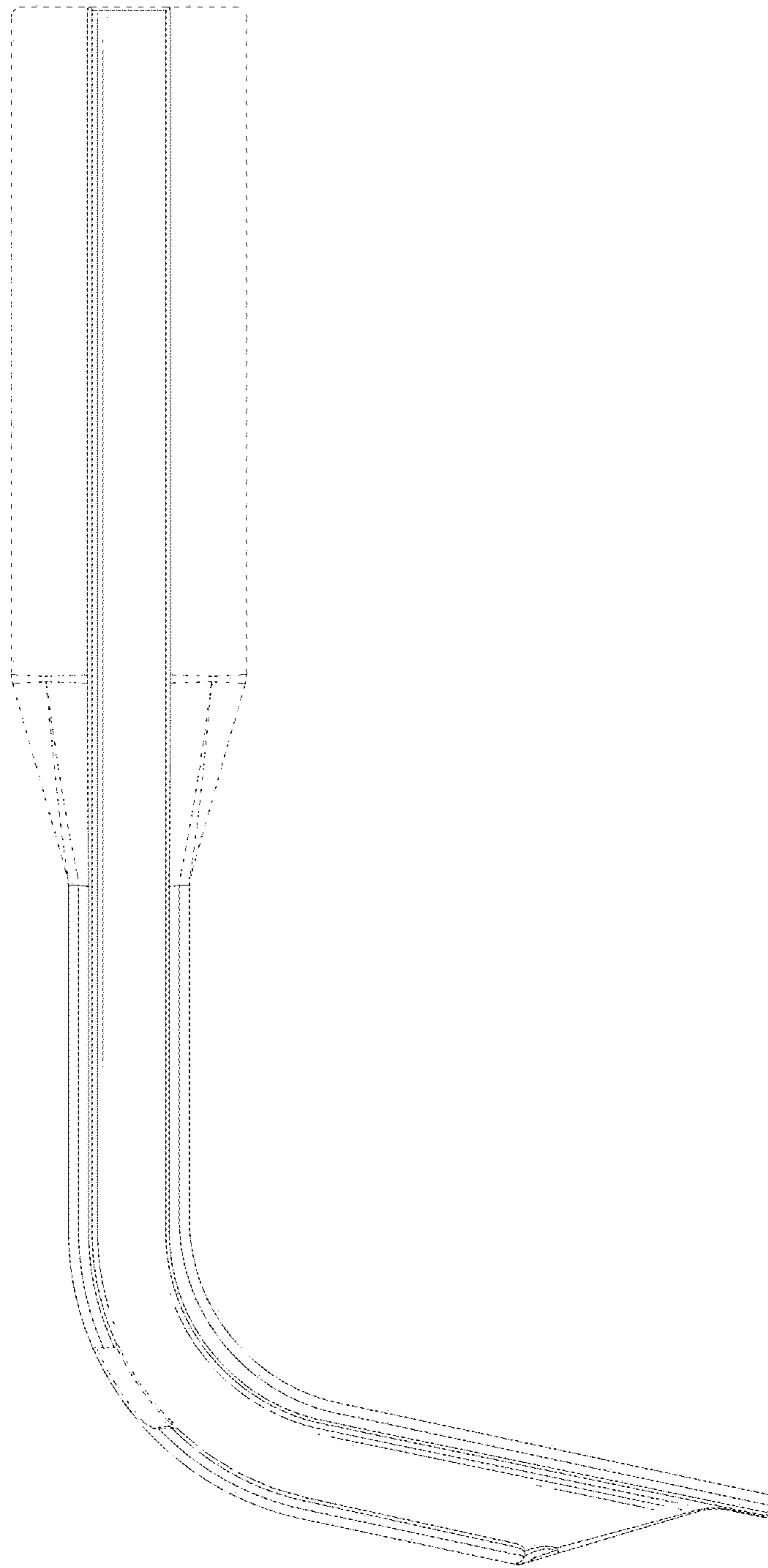


FIG. 2

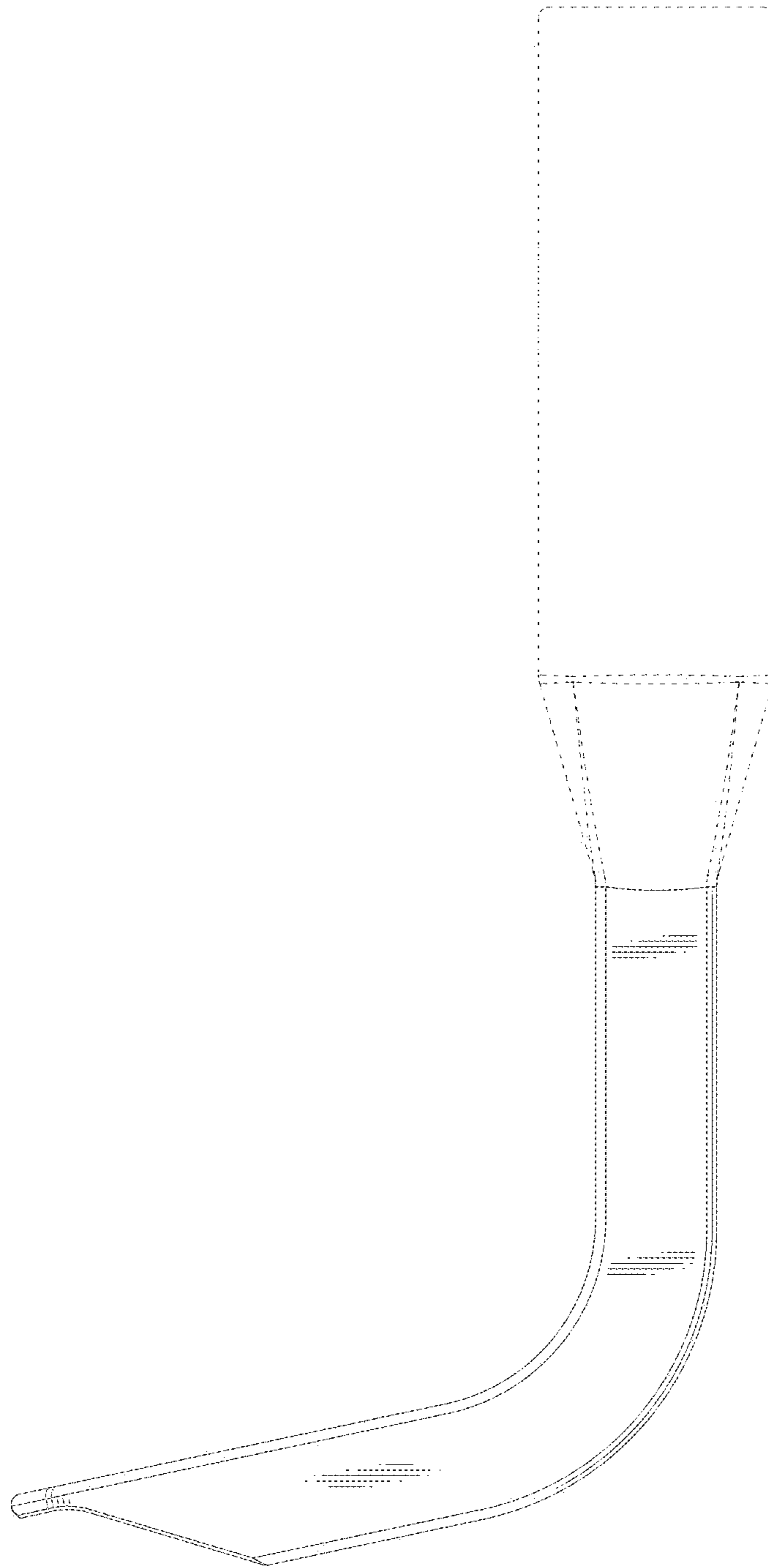


FIG. 3

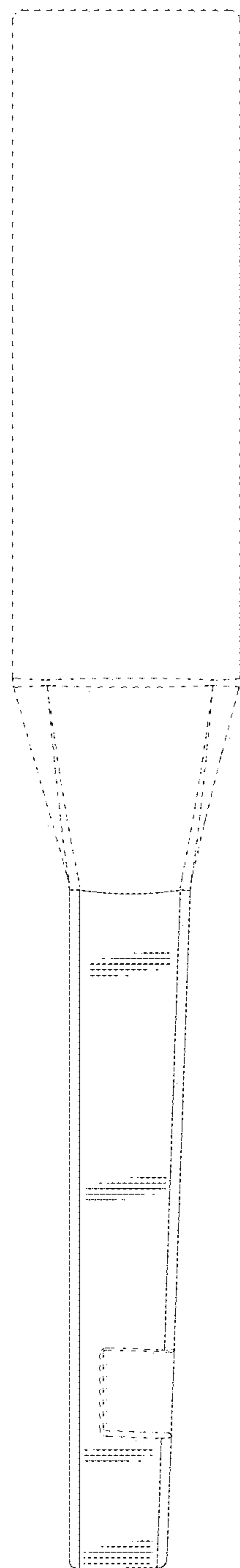


FIG. 4

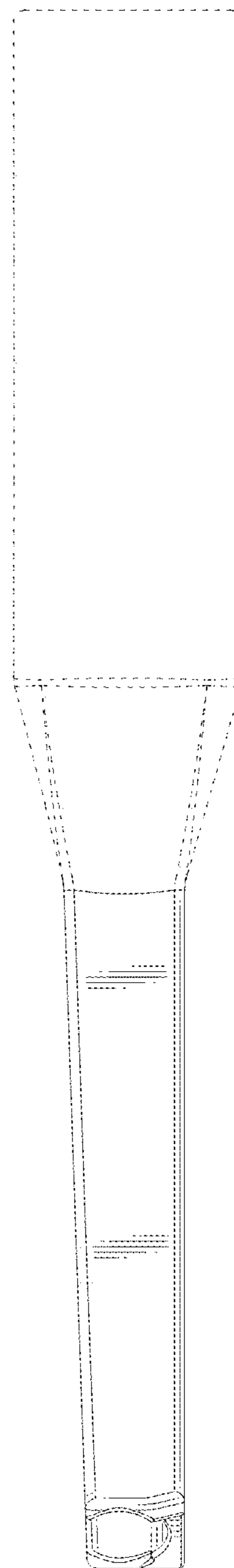


FIG. 5

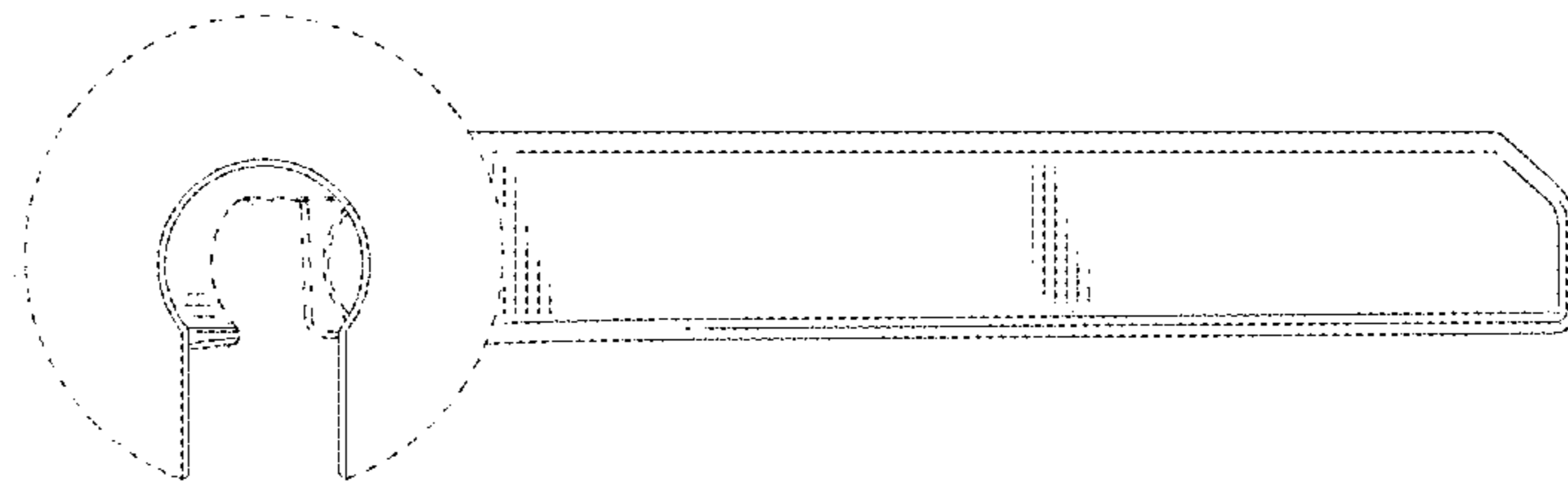


FIG. 6

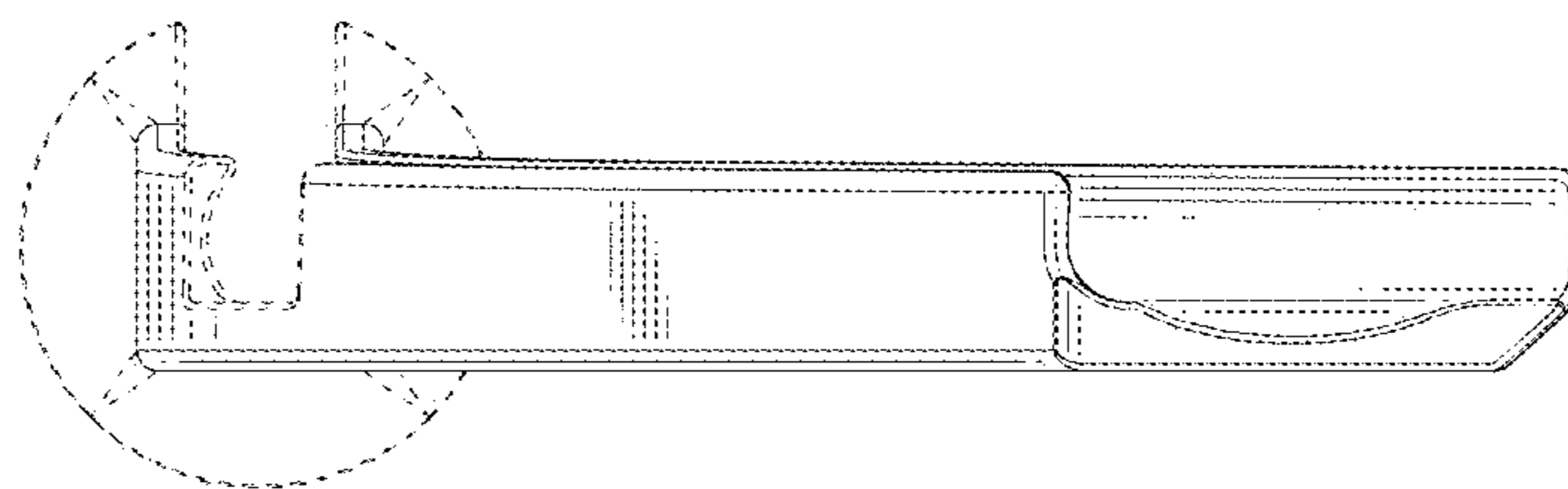


FIG. 7