



US00D930156S

(12) **United States Design Patent** (10) **Patent No.:** **US D930,156 S**
Wong (45) **Date of Patent:** **** Sep. 7, 2021**

(54) **STETHOSCOPE DIAPHRAGM** D750,241 S * 2/2016 Shan D24/134
 D837,979 S * 1/2019 Shan D24/134
 (71) Applicant: **CHIN KOU MEDICAL** D840,028 S * 2/2019 Shan D24/134
INSTRUMENT CO., LTD., New D847,986 S * 5/2019 Shan D24/134
 Taipei (TW) D858,760 S * 9/2019 Molinaro D24/134

(72) Inventor: **Chung-Jen Wong**, New Taipei (TW)

(73) Assignee: **CHIN KOU MEDICAL**
INSTRUMENT CO., LTD., New
Taipei (TW)

(**) Term: **15 Years**

(21) Appl. No.: **29/667,803**

(22) Filed: **Oct. 24, 2018**

(30) **Foreign Application Priority Data**

Apr. 26, 2018 (TW) 107302323

(51) **LOC (13) Cl.** **24-02**

(52) **U.S. Cl.**
USPC **D24/134**

(58) **Field of Classification Search**
USPC D24/133, 134, 137, 138, 200; D16/135;
181/131, 132, 133, 137
CPC .. A61B 7/00; A61B 7/02; A61B 7/003; A61B
7/04; H04R 1/46
See application file for complete search history.

(56) **References Cited**

U.S. PATENT DOCUMENTS

D277,890 S * 3/1985 Loughridge D24/134
6,510,918 B2 * 1/2003 Bates A61B 7/02
181/126

* cited by examiner

Primary Examiner — Manpreet S Matharu

Assistant Examiner — Yolanda Robinson

(74) *Attorney, Agent, or Firm* — Leong C. Lei

(57) **CLAIM**

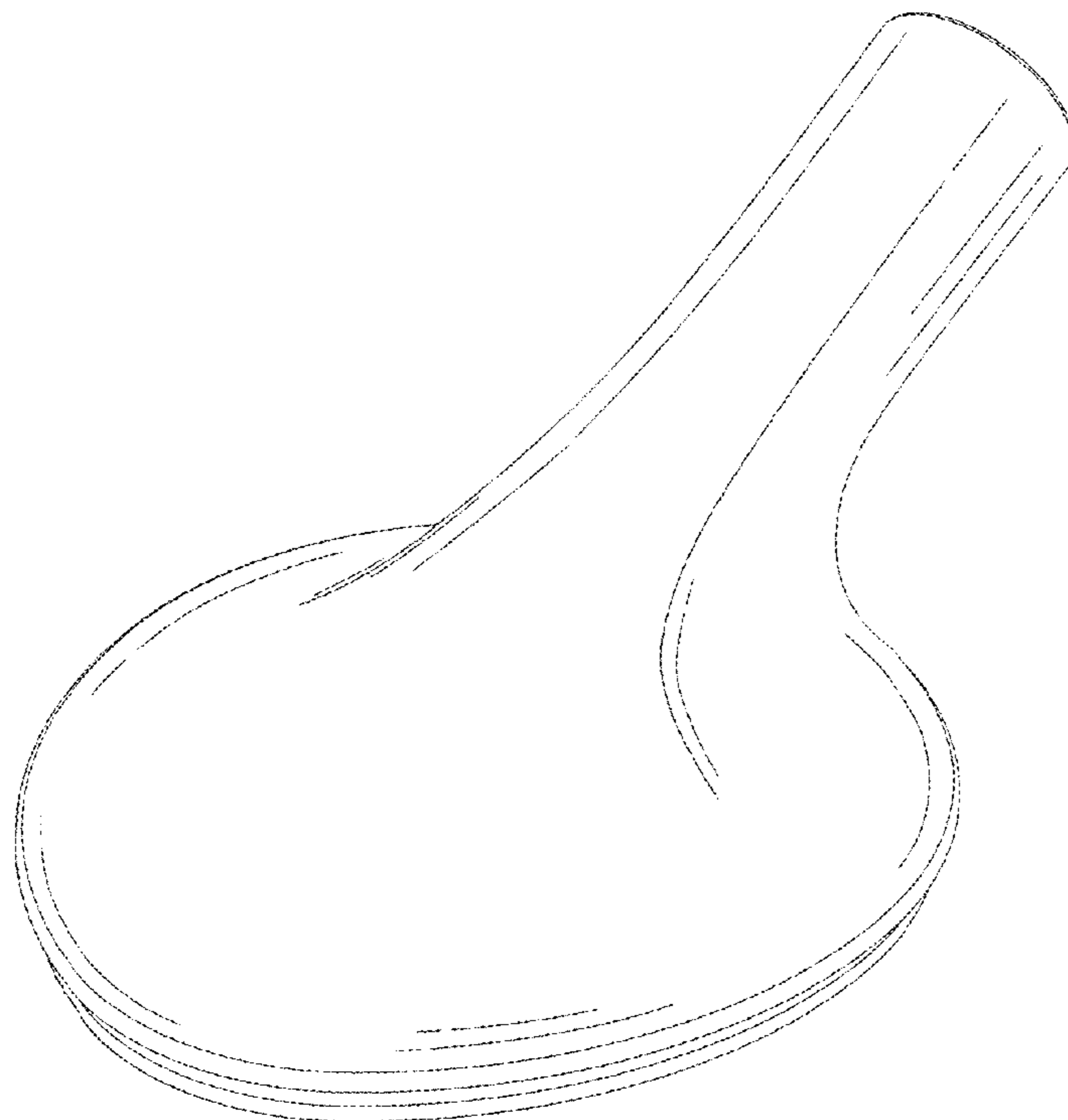
The ornamental design for a stethoscope diaphragm, as shown and described.

DESCRIPTION

FIG. 1 is a perspective view of a stethoscope diaphragm showing my new design;
 FIG. 2 is a front elevational view thereof;
 FIG. 3 is a rear elevational view thereof;
 FIG. 4 is a left side elevational view thereof;
 FIG. 5 is a right side elevational view thereof;
 FIG. 6 is a top plan view thereof; and,
 FIG. 7 is a bottom plan view thereof.

The broken lines shown in the stethoscope diaphragm are for portions that forms no part of the claimed design.

1 Claim, 7 Drawing Sheets



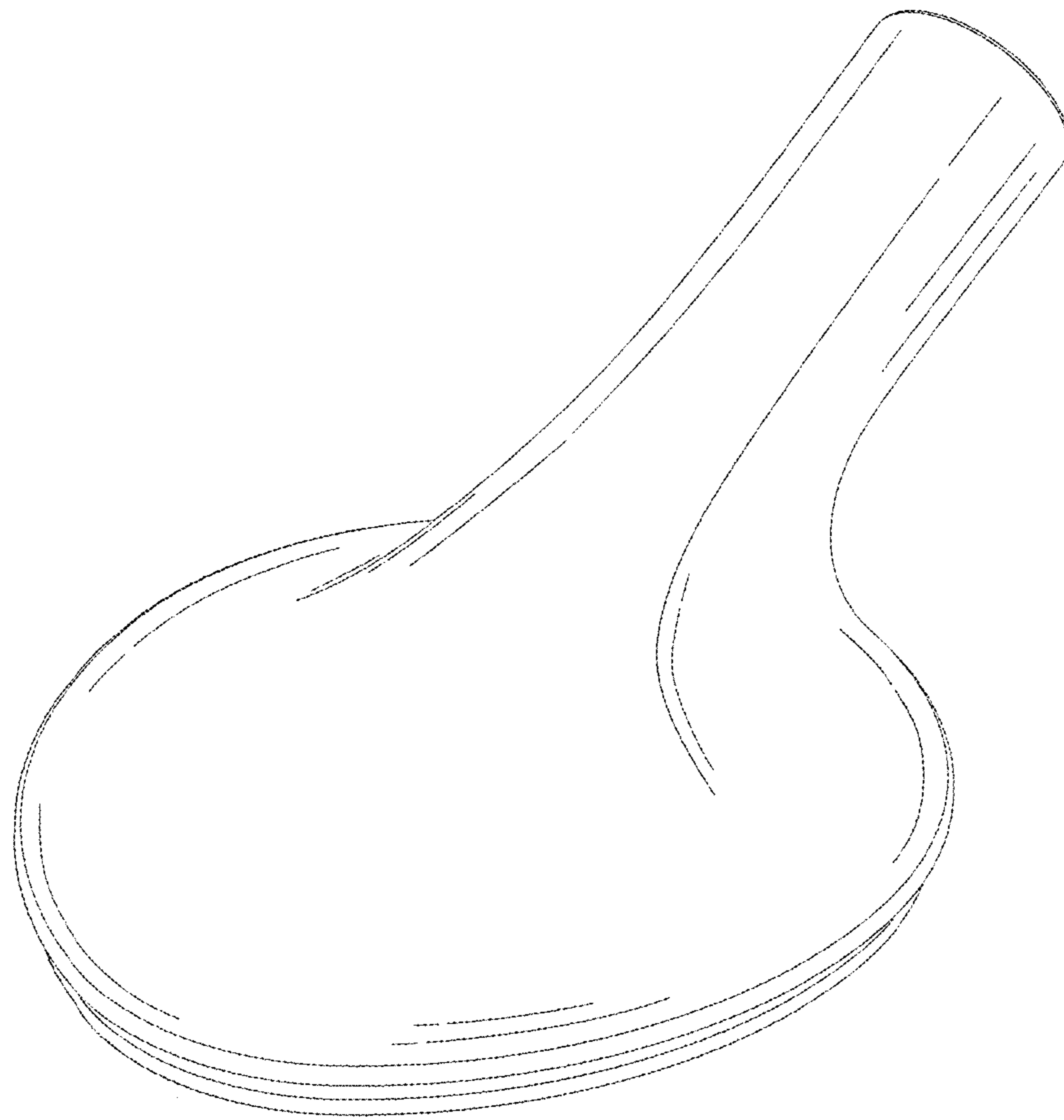


FIG. 1

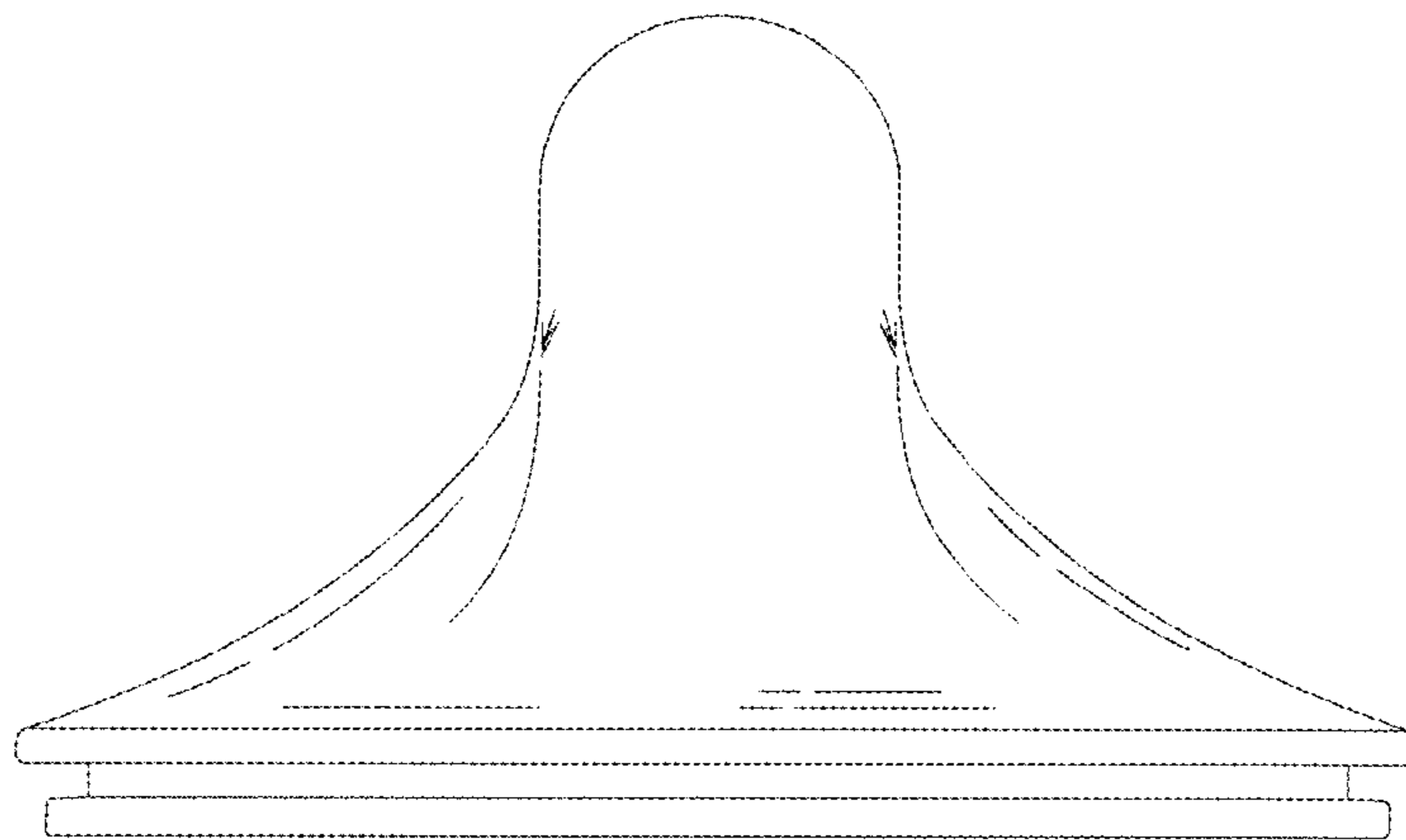


FIG. 2

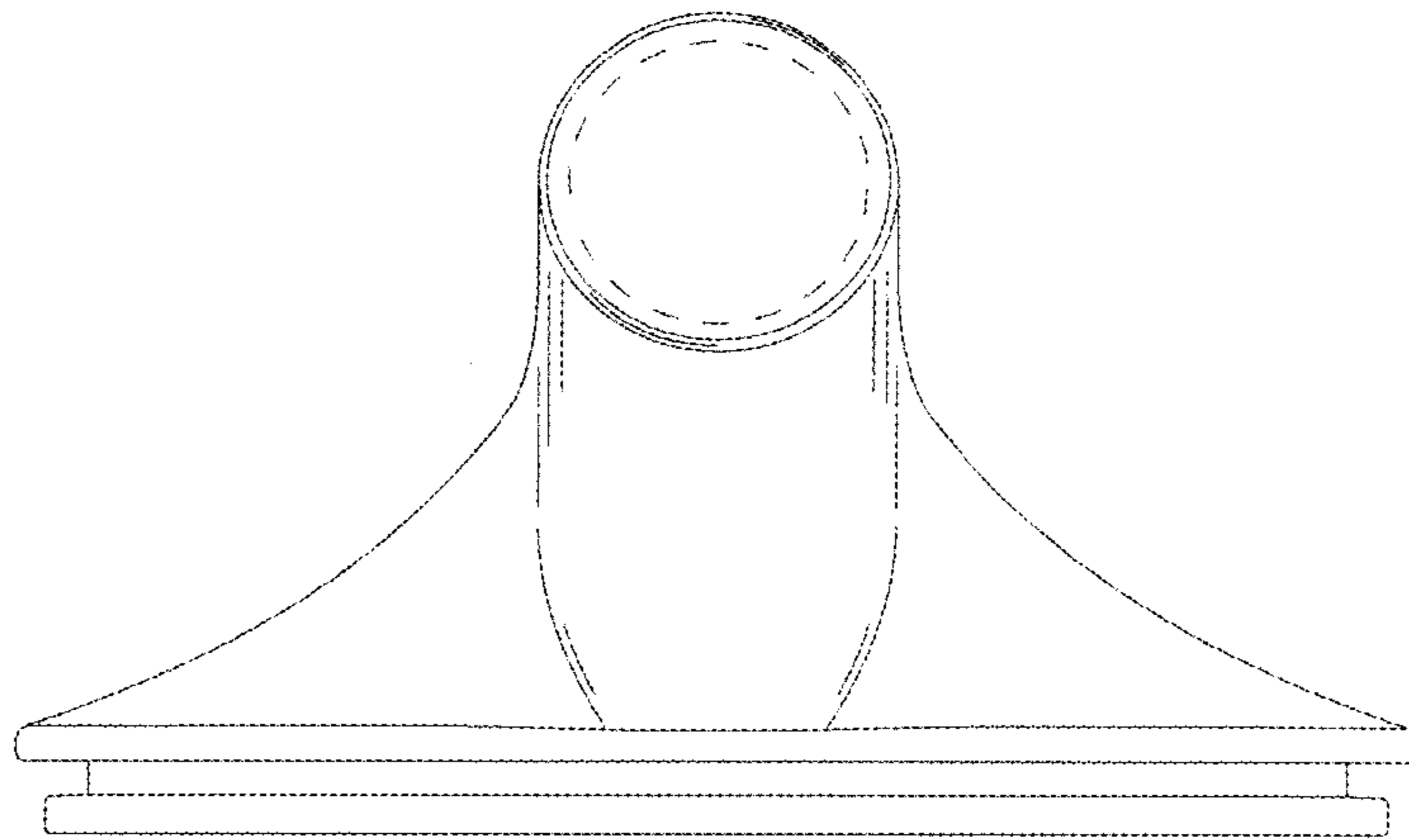


FIG. 3

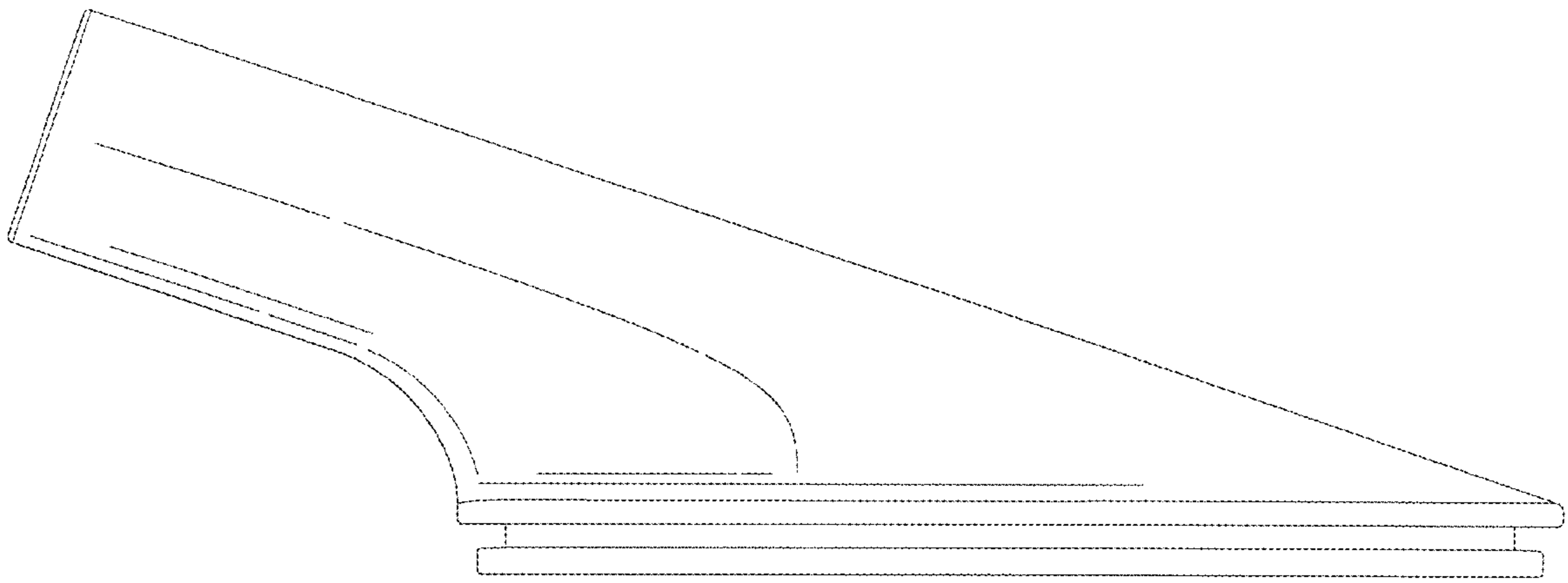


FIG. 4

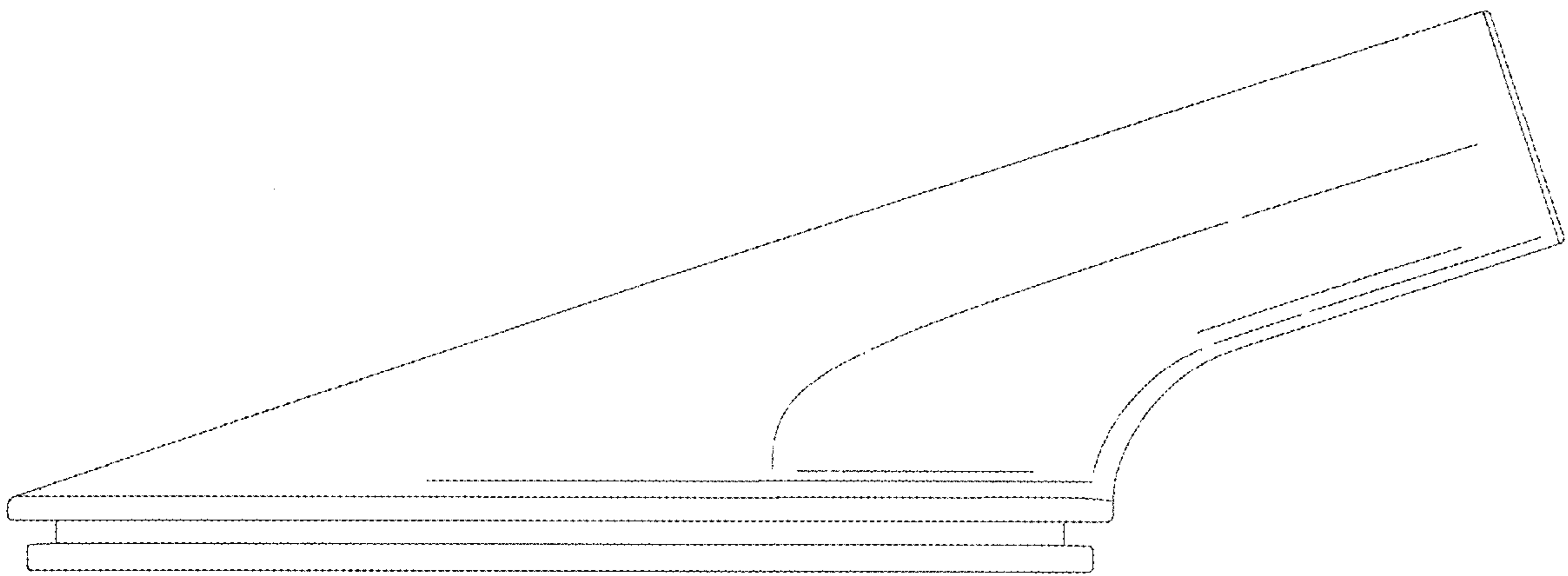


FIG. 5

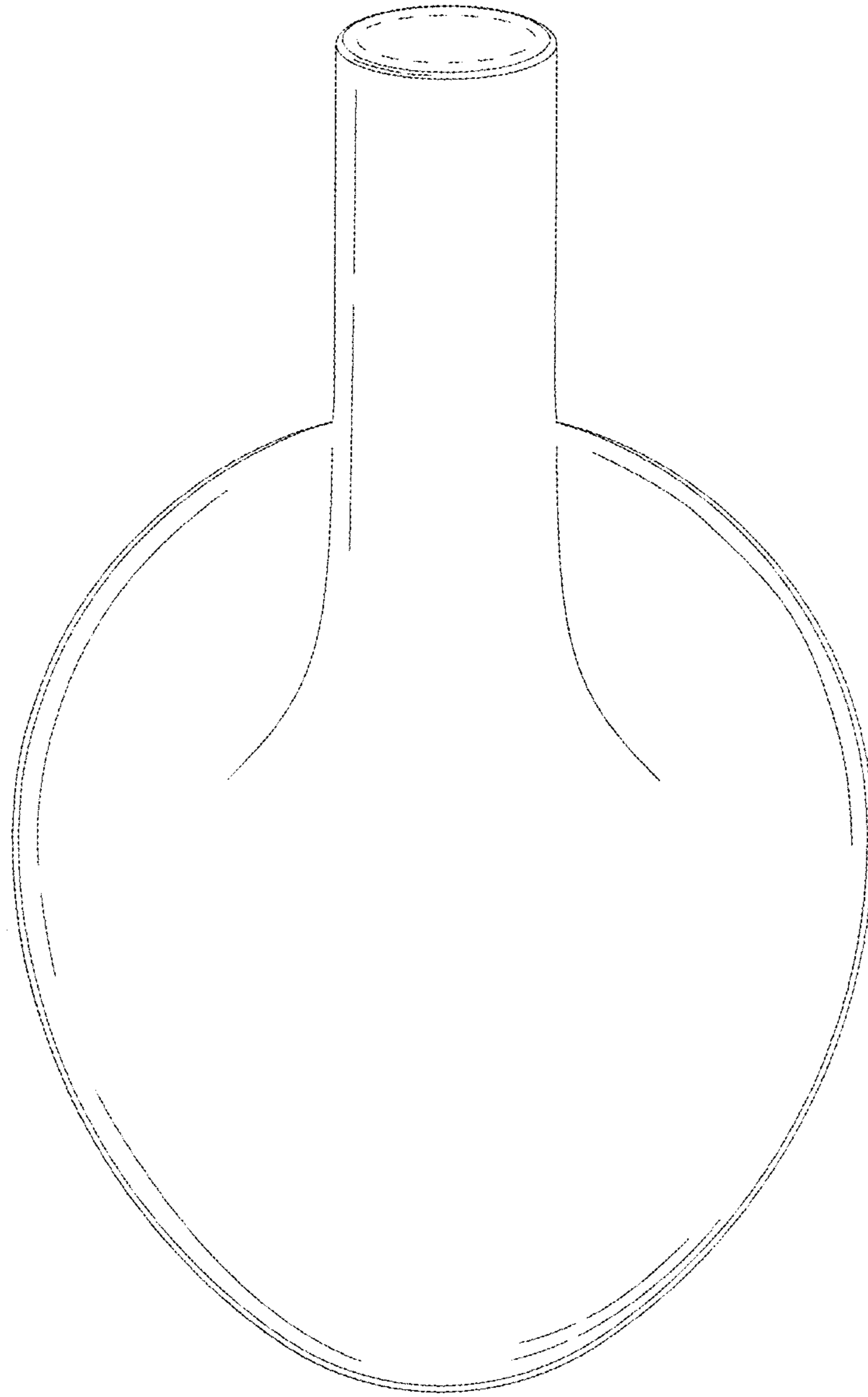


FIG. 6

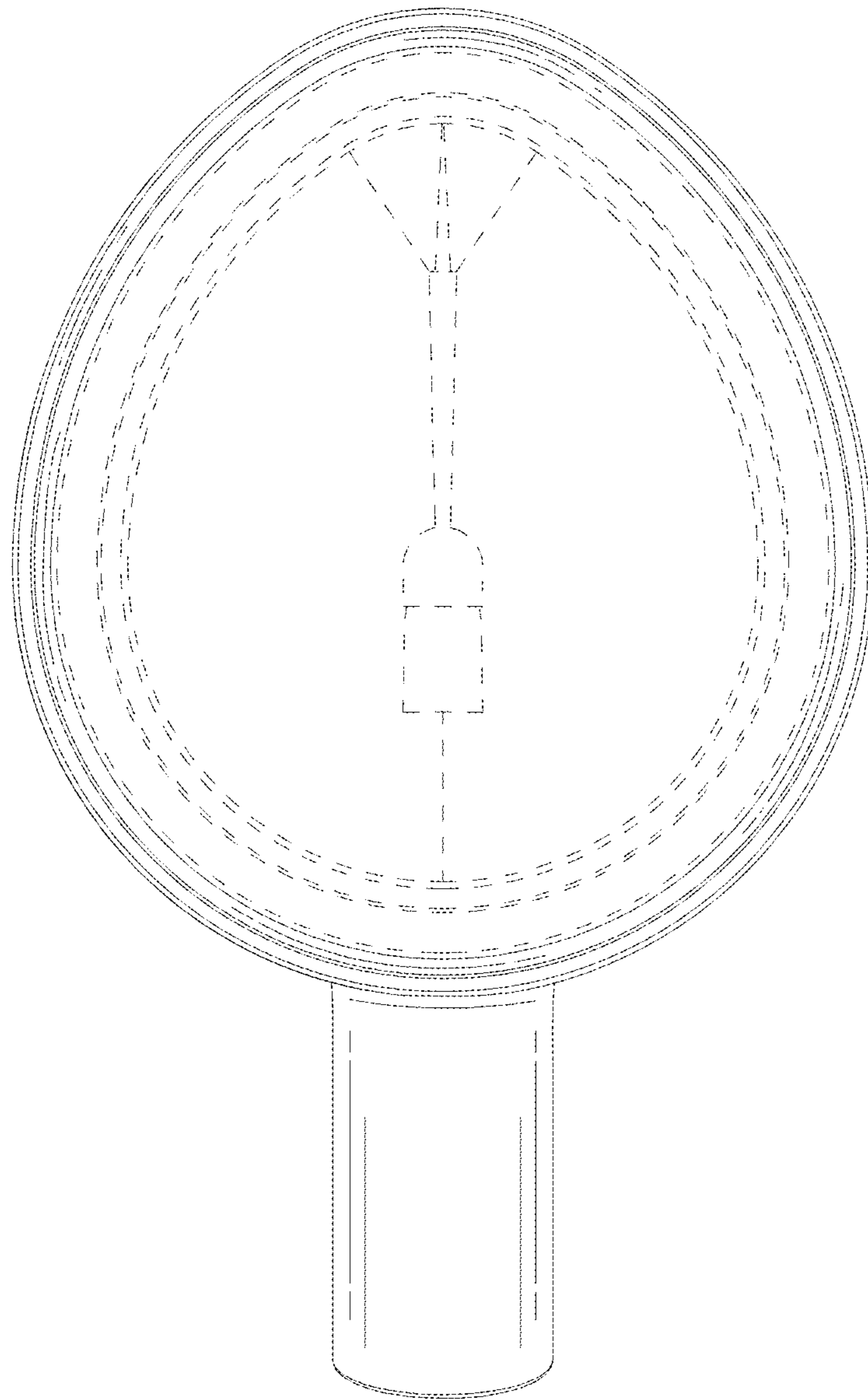


FIG. 7