



US00D930151S

(12) **United States Design Patent** (10) **Patent No.:** **US D930,151 S**
Pedro et al. (45) **Date of Patent:** **** Sep. 7, 2021**

(54) **SURGICAL MASK** D121,069 S * 6/1940 Hansen D24/110.4
2,452,816 A 11/1948 Wagner
(71) Applicant: **Revolutionary Medical Devices, Inc.,** 2,843,121 A 7/1958 Hudson
Tucson, AZ (US) 2,939,458 A 6/1960 Ltmdquist
3,013,556 A 12/1961 Galleher
(Continued)

(72) Inventors: **Michael J. Pedro**, Windham, NH (US);
Ryan G. Redford, Tucson, AZ (US);
David M. Kane, Tucson, AZ (US)

FOREIGN PATENT DOCUMENTS

(73) Assignee: **Revolutionary Medical Devices, Inc.,**
Tucson, AZ (US)

CN 202478364 10/2012
CN 202505937 10/2012
(Continued)

(**) Term: **15 Years**

OTHER PUBLICATIONS

(21) Appl. No.: **29/753,866**

Japanese Office Action issued in application No. 2016-005262,
dated June 30, 2016 (1 pg).

(22) Filed: **Oct. 2, 2020**

(Continued)

Related U.S. Application Data

(63) Continuation of application No. 29/626,489, filed on
Nov. 17, 2017, now Pat. No. Des. 898,188.

Primary Examiner — Aula Soroush

(51) **LOC (13) Cl.** **29-02**

(74) *Attorney, Agent, or Firm* — Morgan, Lewis &
Bockius LLP

(52) **U.S. Cl.**

(57) **CLAIM**

USPC **D24/110.4**

The ornamental design for a surgical mask, as shown and
described.

(58) **Field of Classification Search**

DESCRIPTION

USPC D24/110-110.6, 127, 129; D29/110
CPC A61M 16/0616; A61M 16/0633; A61M
16/06; A61M 16/0666; A61M 16/0683;
A61M 16/0605; A61M 16/0622; A61M
16/0644; A61M 16/0875; A61M 16/0816;
A61M 16/08; B63C 11/205; B63C 11/16;
B63C 11/186; B63C 11/12

FIG. 1 is top perspective view of a surgical mask in
accordance with our invention;
FIG. 2 is a side perspective view thereof;
FIG. 3 is a bottom perspective view thereof;
FIG. 4 is a front elevation view thereof;
FIG. 5 is a rear elevation view thereof;
FIG. 6 is left side elevation view thereof;
FIG. 7 is a right side elevation thereof;
FIG. 8 is a top plan view thereof; and,
FIG. 9 is a bottom plan view of thereof.
Portions of the article shown in broken lines form no part of
the claimed invention.

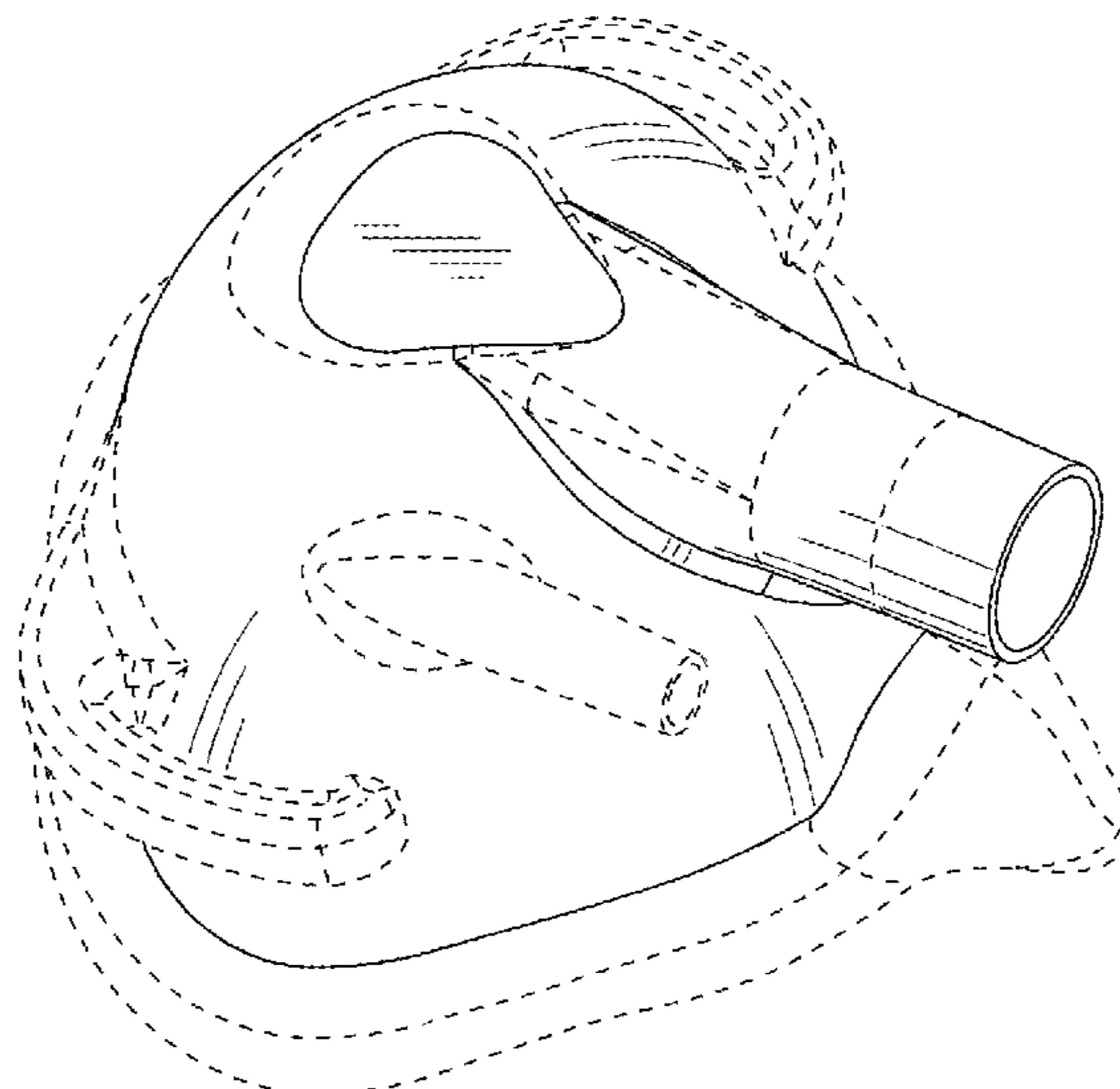
See application file for complete search history.

(56) **References Cited**

U.S. PATENT DOCUMENTS

1,050,621 A 1/1913 Ford
1,131,802 A 3/1915 Stenshoel
1,441,817 A 1/1923 McCullough
1,729,525 A 9/1929 Stenshoel
1,776,167 A 9/1930 Stenshoel

1 Claim, 7 Drawing Sheets



(56)

References Cited

U.S. PATENT DOCUMENTS

3,522,612 A	8/1970	Palmer	D435,650 S	12/2000	Kwok
3,556,097 A	1/1971	Wallace	6,192,886 B1	2/2001	Rudolph
3,779,164 A	12/1973	Study	6,216,691 B1	4/2001	Kenyon et al.
3,815,596 A	6/1974	Keener et al.	6,263,874 B1	7/2001	LeDez et al.
3,856,051 A	12/1974	Bain	6,342,040 B1	1/2002	Starr et al.
3,889,668 A	6/1975	Ochs et al.	6,357,441 B1	3/2002	Kwok et al.
3,897,777 A	8/1975	Morrison	6,397,847 B1	6/2002	Scarberry et al.
D242,490 S	11/1976	Belkin	6,401,713 B1	6/2002	Hill et al.
4,005,499 A	2/1977	Klein	6,412,487 B1	7/2002	Gunaratnam et al.
4,007,737 A	2/1977	Paluch	6,412,488 B1	7/2002	Barnett et al.
4,015,598 A	4/1977	Brown	6,439,230 B1	8/2002	Gunaratnam et al.
4,188,946 A	2/1980	Watson et al.	6,439,231 B1	8/2002	Fukunaga et al.
D256,161 S	7/1980	Oliver	6,446,288 B1	9/2002	Pi
4,231,363 A	11/1980	Grimes	6,459,923 B1	10/2002	Plewes et al.
4,232,667 A	11/1980	Chalon et al.	6,463,931 B1	10/2002	Kwok et al.
4,248,218 A	2/1981	Fischer	6,467,483 B1	10/2002	Kopacko et al.
4,259,757 A	4/1981	Watson	D467,345 S	12/2002	Gingles et al.
4,265,235 A	5/1981	Fukunaga	6,513,526 B2	2/2003	Kwok et al.
4,265,239 A	5/1981	Fischer, Jr. et al.	6,520,182 B1	2/2003	Gunaratnam
4,275,720 A	6/1981	Wichman	6,581,602 B2	6/2003	Kwok et al.
4,328,797 A	5/1982	Rollins	6,584,977 B1	7/2003	Serowski
4,457,026 A	7/1984	Morris	6,612,306 B1	9/2003	Mault
4,463,755 A	8/1984	Suzuki	6,615,835 B1	9/2003	Cise
4,471,769 A	9/1984	Lockhart	6,626,178 B2	9/2003	Morgan et al.
4,574,796 A	3/1986	Lundstrom	6,631,713 B1	10/2003	Christopher
4,596,246 A	6/1986	Lyall	6,631,718 B1	10/2003	Lovell
4,657,010 A	4/1987	Wright	6,634,358 B2	10/2003	Kwok et al.
4,700,691 A	10/1987	Tari et al.	6,651,663 B2	11/2003	Barnett et al.
4,770,169 A	9/1988	Schmoegner et al.	6,694,973 B1	2/2004	Dunhao et al.
4,905,712 A	3/1990	Bowlin et al.	6,701,927 B2	3/2004	Kwok et al.
5,046,200 A	9/1991	Feder	6,729,333 B2	5/2004	Barnett et al.
5,046,491 A	9/1991	Derrick	6,736,139 B1	5/2004	Wix
5,121,746 A	6/1992	Sikora	D493,523 S	7/2004	Barnett et al.
D333,404 S	2/1993	Thompson	6,779,524 B2	8/2004	Strawder et al.
5,243,971 A	9/1993	Sullivan et al.	6,792,943 B2	9/2004	Kumar et al.
5,255,303 A	10/1993	DiMaio et al.	6,796,308 B2	9/2004	Gunaratnam et al.
5,271,390 A	12/1993	Gray et al.	6,805,117 B1	10/2004	Ho et al.
5,284,160 A	2/1994	Dryden	6,832,610 B2	12/2004	Gradon et al.
D347,494 S	5/1994	Mustelier	6,863,071 B2	3/2005	Annett et al.
D354,128 S	1/1995	Rinehart	6,871,649 B2	3/2005	Kwok et al.
5,404,873 A	4/1995	Leagre et al.	6,892,729 B2	5/2005	Smith et al.
D362,061 S *	9/1995	McGinnis D24/110.4	6,895,965 B2	5/2005	Scarberry et al.
5,462,050 A	10/1995	Dahlstrand	6,931,664 B1	8/2005	Chen
5,474,060 A	12/1995	Evans	6,935,337 B2	8/2005	Virr et al.
5,485,837 A	1/1996	Solesbee et al.	6,981,503 B1	1/2006	Shapiro
5,524,639 A	6/1996	Lanier et al.	7,004,168 B2	2/2006	Mace et al.
D373,921 S	9/1996	Palomo et al.	7,007,696 B2	3/2006	Palkon et al.
5,557,049 A	9/1996	Ratner	7,013,896 B2	3/2006	Schmidt
RE35,339 E	10/1996	Rapoport	7,017,576 B2	3/2006	Olsen et al.
5,560,354 A	10/1996	Berthon-Jones et al.	7,021,311 B2	4/2006	Gunaratnam et al.
5,586,551 A	12/1996	Hilliard	7,036,508 B2	5/2006	Kwok
5,647,357 A	7/1997	Barnett et al.	7,047,971 B2	5/2006	Ho et al.
5,649,331 A	7/1997	Wilkinson et al.	7,066,179 B2	6/2006	Eaton et al.
5,660,174 A	8/1997	Iacobelli	7,069,932 B2	7/2006	Eaton et al.
5,661,859 A	9/1997	Schaefer	7,069,933 B2	7/2006	Kwok et al.
5,685,298 A	11/1997	Idris	7,114,498 B1	10/2006	Nashed
5,738,094 A	4/1998	Hoftman	7,159,587 B2	1/2007	Drew et al.
5,746,201 A	5/1998	Kidd	7,178,524 B2	2/2007	Noble
5,749,358 A	5/1998	Good et al.	7,178,527 B2	2/2007	Kwok et al.
5,778,872 A	7/1998	Fukunaga et al.	7,210,481 B1	5/2007	Lovell et al.
D402,755 S	12/1998	Kwok	7,219,669 B1	5/2007	Lovell et al.
5,884,624 A	3/1999	Barnett et al.	7,237,551 B2	7/2007	Ho et al.
5,933,886 A	8/1999	Washington	7,243,651 B2	7/2007	Kwok et al.
5,966,763 A	10/1999	Thomas et al.	7,287,528 B2	10/2007	Ho et al.
5,975,079 A	11/1999	Hellings et al.	7,341,060 B2	3/2008	Ging et al.
5,983,896 A	11/1999	Fukunaga et al.	7,383,839 B2	6/2008	Porat et al.
6,003,511 A	12/1999	Fukunaga et al.	7,445,602 B2	11/2008	Yamamori
6,019,101 A	2/2000	Cotner et al.	7,448,386 B2	11/2008	Ho et al.
6,035,852 A	3/2000	Hoftman	7,467,431 B2	12/2008	Weedling et al.
6,058,933 A	5/2000	Good et al.	7,487,772 B2	2/2009	Ging et al.
D428,987 S *	8/2000	Kwok D24/110.1	7,487,777 B2	2/2009	Gunaratnam et al.
6,112,746 A	9/2000	Kwok et al.	7,500,280 B2	3/2009	Dixon et al.
6,123,071 A	9/2000	Berthon-Jones et al.	7,500,482 B2	3/2009	Biederman
6,129,082 A	10/2000	Leagre	D598,537 S *	8/2009	Nashed A61M 16/06 D24/110.1
6,152,137 A	11/2000	Schwartz et al.	7,614,398 B2	11/2009	Virr et al.
			7,631,644 B2	12/2009	Ho et al.
			7,665,464 B2	2/2010	Kopacko et al.
			7,669,599 B2	3/2010	Gunaratnam et al.

(56)

References Cited

U.S. PATENT DOCUMENTS

7,700,129 B2	4/2010	Ito et al.	8,881,728 B2	11/2014	Sher et al.
7,743,767 B2	6/2010	Ging et al.	8,915,861 B2	12/2014	Yamamori et al.
7,753,051 B2	7/2010	Burrow et al.	8,939,151 B2	1/2015	McAuley et al.
7,779,832 B1	8/2010	Ho	8,944,061 B2	2/2015	D' Souza et al.
7,841,988 B2	11/2010	Yamamori	D726,303 S	4/2015	Rollins
7,870,859 B2	1/2011	Barnett et al.	9,010,330 B2	4/2015	Barlow et al.
7,874,292 B2	1/2011	Smith et al.	9,010,331 B2	4/2015	Lang et al.
7,913,337 B1	3/2011	Masson	9,022,029 B2	5/2015	Varga et al.
7,926,487 B2	4/2011	Drew et al.	9,027,556 B2	5/2015	Ng et al.
7,927,285 B2	4/2011	Yamamori	9,138,169 B2	9/2015	Beard
7,931,024 B2	4/2011	Ho et al.	9,186,474 B1	11/2015	Rollins
7,938,117 B2	5/2011	Chiesa et al.	9,295,799 B2	3/2016	McAuley et al.
7,950,392 B2	5/2011	Kwok et al.	9,295,800 B2	3/2016	Davidson et al.
7,975,694 B2	7/2011	Ho	D753,287 S *	4/2016	Darab D24/110.4
7,997,267 B2	8/2011	Ging et al.	D753,816 S	4/2016	Beard
8,001,968 B2	8/2011	Doty et al.	9,375,545 B2	6/2016	Darkin et al.
8,001,970 B2	8/2011	King et al.	D768,845 S *	10/2016	Burkes D24/110
8,028,699 B2	10/2011	Ho et al.	9,629,975 B1 *	4/2017	Pedro A61M 16/0683
8,042,539 B2	10/2011	Chandran et al.	2002/0074001 A1	6/2002	Kwok et al.
8,042,541 B2	10/2011	Amarasinghe et al.	2002/0174868 A1	11/2002	Kwok et al.
8,056,561 B2	11/2011	Kwok et al.	2003/0024533 A1	2/2003	Sniadach
8,132,270 B2	3/2012	Lang et al.	2003/0145859 A1	8/2003	Bohn et al.
8,161,971 B2	4/2012	Jaffe	2003/0183232 A1	10/2003	Fukunaga et al.
8,191,553 B2	6/2012	Haworth et al.	2004/0069306 A1	4/2004	Moening et al.
8,210,181 B2	7/2012	Gunaratnam et al.	2004/0221850 A1	11/2004	Ging et al.
8,261,745 B2	9/2012	Chandran et al.	2005/0028811 A1	2/2005	Nelson et al.
8,261,746 B2	9/2012	Lynch et al.	2005/0145247 A1	7/2005	Nashed
8,267,091 B2	9/2012	Smith et al.	2005/0160532 A1	7/2005	Froelich
8,302,224 B2	11/2012	Lehman	2005/0193493 A1	9/2005	Gabbay
8,312,883 B2	11/2012	Gunaratnam et al.	2006/0032500 A1	2/2006	Ghiron et al.
8,336,142 B1	12/2012	See et al.	2006/0042631 A1	3/2006	Martin et al.
8,336,549 B2	12/2012	Nashed	2006/0118117 A1	6/2006	Berthon-Jones et al.
8,347,889 B2	1/2013	Farnum	2006/0124131 A1	6/2006	Chandran et al.
8,365,734 B1	2/2013	Lehman	2006/0168730 A1	8/2006	Menkedick et al.
8,397,724 B2	3/2013	Sher et al.	2006/0174889 A1	8/2006	Noble
D681,383 S	5/2013	Derman et al.	2006/0231091 A1	10/2006	Camarillo
8,443,807 B2	5/2013	McAuley et al.	2007/0062536 A1	3/2007	McAuley et al.
8,485,190 B2	7/2013	Barnett et al.	2007/0113847 A1	5/2007	Acker et al.
8,485,192 B2	7/2013	Davidson et al.	2007/0113856 A1	5/2007	Acker et al.
8,490,623 B2	7/2013	Berthon-Jones et al.	2007/0267017 A1	11/2007	McAuley et al.
RE44,453 E	8/2013	Virr et al.	2007/0271699 A1	11/2007	Sacchetti
8,479,726 B2	9/2013	McAuley	2007/0295335 A1	12/2007	Nashed
8,522,783 B2	9/2013	Kwok et al.	2008/0053446 A1	3/2008	Sleeper et al.
8,528,558 B2	9/2013	Drew et al.	2008/0092898 A1	4/2008	Schneider et al.
8,550,081 B2	10/2013	Davidson et al.	2008/0196715 A1	8/2008	Yamamori
8,550,082 B2	10/2013	Davidson et al.	2008/0221470 A1	9/2008	Sather et al.
8,550,083 B2	10/2013	Davidson et al.	2008/0230067 A1	9/2008	Kwok et al.
8,555,885 B2	10/2013	Davidson et al.	2009/0084385 A1	4/2009	Lang
8,567,402 B2	10/2013	Gunaratnam et al.	2009/0114229 A1	5/2009	Frater et al.
8,567,404 B2	10/2013	Davidson et al.	2009/0114230 A1	5/2009	Hernandez et al.
D693,603 S	11/2013	Esquivel et al.	2009/0133696 A1	5/2009	Remmers et al.
8,573,211 B2	11/2013	Ho et al.	2009/0178680 A1	7/2009	Chang
8,573,212 B2	11/2013	Lynch et al.	2009/0250061 A1	10/2009	Marasigan
8,573,213 B2	11/2013	Davidson et al.	2009/0260628 A1	10/2009	Flynn, Sr.
8,573,214 B2	11/2013	Davidson et al.	2009/0301472 A1	12/2009	Kim et al.
8,573,215 B2	11/2013	Davidson et al.	2009/0320850 A1	12/2009	Wallnewitz et al.
8,573,217 B2	11/2013	Todd et al.	2010/0122701 A1	5/2010	Gunaratnam et al.
8,578,935 B2	11/2013	Davidson et al.	2010/0147313 A1	6/2010	Albrecht
8,578,939 B1	11/2013	Kimani Mwangi et al.	2010/0170513 A1	7/2010	Bowditch et al.
D695,888 S *	12/2013	Darab D24/110.4	2010/0170516 A1	7/2010	Grane
8,613,280 B2	12/2013	Davidson et al.	2010/0218316 A1	9/2010	Nissen et al.
8,613,281 B2	12/2013	Davidson et al.	2010/0224199 A1	9/2010	Smith et al.
8,616,211 B2	12/2013	Davidson et al.	2010/0275919 A1	11/2010	Sung
D697,202 S *	1/2014	Nashed D24/110.1	2010/0313891 A1	12/2010	Veliss et al.
8,631,792 B2	1/2014	Ho et al.	2011/0054366 A1	3/2011	Smith et al.
8,636,006 B2	1/2014	Kwok et al.	2011/0072582 A1	3/2011	Patterson et al.
8,667,965 B2	3/2014	Gunaratnam et al.	2011/0083670 A1	4/2011	Walacavage
8,684,004 B2	4/2014	Eifler	2011/0092930 A1	4/2011	Poorman
8,689,366 B2	4/2014	Ho	2011/0108035 A1	5/2011	Samaniago
8,707,950 B1	4/2014	Rubin	2011/0114099 A1	5/2011	Goldstein
8,714,157 B2	5/2014	McAuley et al.	2011/0155136 A1	6/2011	Lee
8,752,551 B2	6/2014	Chandran et al.	2011/0173750 A1	7/2011	Lehmann
8,807,134 B2	8/2014	Ho et al.	2011/0186050 A1	8/2011	Daly
8,807,135 B2	8/2014	Worboys et al.	2011/0214674 A1	9/2011	Ging et al.
8,813,748 B2	8/2014	Kwok et al.	2011/0253150 A1	10/2011	King
			2011/0265796 A1	11/2011	Amarasinghe et al.
			2011/0290253 A1	12/2011	McAuley et al.
			2012/0080035 A1	4/2012	Guney et al.
			2012/0111330 A1	5/2012	Gartner

(56)

References Cited

U.S. PATENT DOCUMENTS

2012/0144588 A1 6/2012 Heimbrock et al.
 2012/0180220 A1 7/2012 Popitz
 2012/0222680 A1 9/2012 Eves et al.
 2012/0227736 A1 9/2012 Bowsher
 2012/0234326 A1 9/2012 Mazzone et al.
 2012/0247475 A1 10/2012 Hernandez et al.
 2012/0285455 A1 11/2012 Varga et al.
 2012/0285466 A1 11/2012 Pierro et al.
 2013/0014760 A1 1/2013 Matula, Jr. et al.
 2013/0023729 A1 1/2013 Vazales et al.
 2013/0060157 A1 3/2013 Beard
 2013/0109992 A1 5/2013 Guyette
 2013/0146060 A1 6/2013 Ho et al.
 2013/0186413 A1 7/2013 Haines et al.
 2013/0190643 A1 7/2013 Brambilla
 2013/0192601 A1 8/2013 Reischl et al.
 2013/0192602 A1 8/2013 Leibitzki et al.
 2013/0199537 A1 8/2013 Formica et al.
 2013/0319417 A1 12/2013 Weinman
 2014/0076311 A1 3/2014 Darab
 2014/0083425 A1 3/2014 Moenning
 2014/0144448 A1 5/2014 Eifler
 2014/0158135 A1 6/2014 Shyong
 2014/0158136 A1 6/2014 Romagnoli et al.
 2014/0215687 A1 8/2014 Andrews
 2014/0243600 A1 8/2014 Eisenberger
 2014/0245537 A1 9/2014 Allen
 2014/0251333 A1 9/2014 Burk
 2014/0326246 A1 11/2014 Chodkowski et al.
 2014/0352072 A1 12/2014 Holladay
 2014/0360504 A1 12/2014 Kwok
 2015/0047647 A1 2/2015 Winer
 2015/0059759 A1 3/2015 Frater et al.
 2015/0144140 A1 5/2015 Eury
 2015/0217075 A1 8/2015 Nair
 2015/0238716 A1 8/2015 Budhiraja et al.
 2015/0250970 A1 9/2015 Bowsher
 2015/0250971 A1 9/2015 Bachelder et al.
 2015/0273170 A1 10/2015 Bachelder et al.

2015/0273171 A1 10/2015 Sullivan et al.
 2015/0335852 A1 11/2015 Miller
 2016/0015923 A1 1/2016 Chodkowski et al.
 2016/0022944 A1 1/2016 Chodkowski et al.
 2016/0038709 A1 2/2016 Beard
 2016/0067441 A1 3/2016 Bearne et al.
 2016/0184540 A1 6/2016 Kokko
 2016/0213871 A1 7/2016 Darab
 2016/0279368 A1 9/2016 Isenberg
 2017/0007795 A1* 1/2017 Pedro A61M 16/22

FOREIGN PATENT DOCUMENTS

DE	19947722	4/2001
EP	2433666	3/2012
GB	187863	11/1922
GB	2456136	7/2009
WO	WO-2010059592	5/2010
WO	WO-2013036839	3/2013
WO	WO-2013/064950	5/2013
WO	WO-2014038959	3/2014
WO	WO-2014210606	12/2014
WO	WO-2015063283	5/2015
WO	WO-2015131262	9/2015
WO	WO-2015147947	10/2015
WO	WO-2015187995	12/2015
WO	WO-2016007749	1/2016
WO	WO-2016097948	6/2016

OTHER PUBLICATIONS

Korean Design of Registration issued in Korean related Application Serial No. 30-2015-0029561, M001 (w/translation), dated Jun. 29, 2016 (3 pgs).
 Korean Office Action issued in application No. 30-2015-0029561, M002 (w/translation), dated Dec. 24, 2015 (7 pgs).
 Korean Office Action issued in application No. 30-2015-0029561, M001 (w/translation), dated Dec. 24, 2015 (12 pgs).
 Notice of Allowance (Corrected) issued in U.S. Appl. No. 15/288,973, dated Mar. 24, 2017 (9 pgs).

* cited by examiner

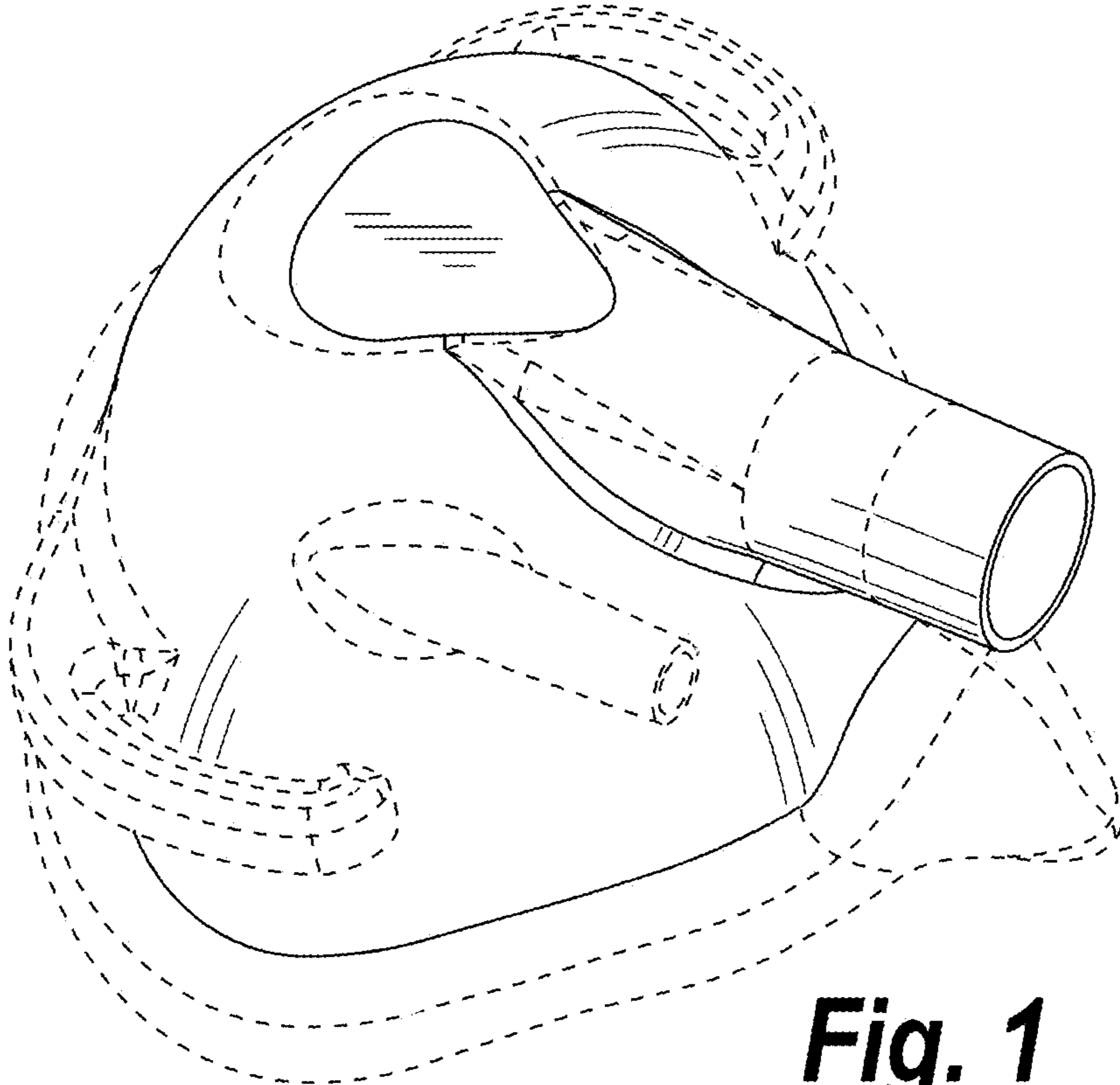


Fig. 1

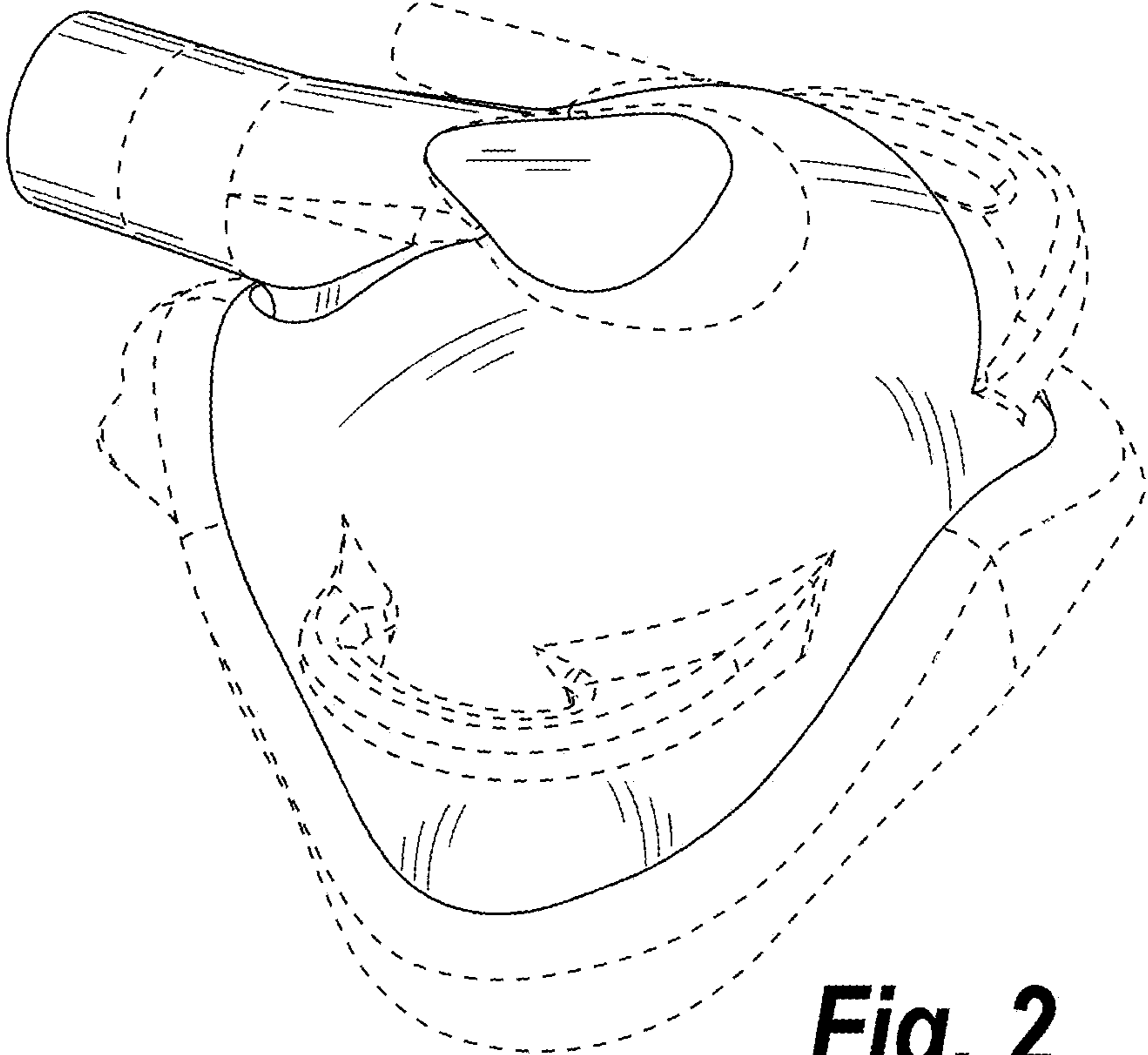


Fig. 2

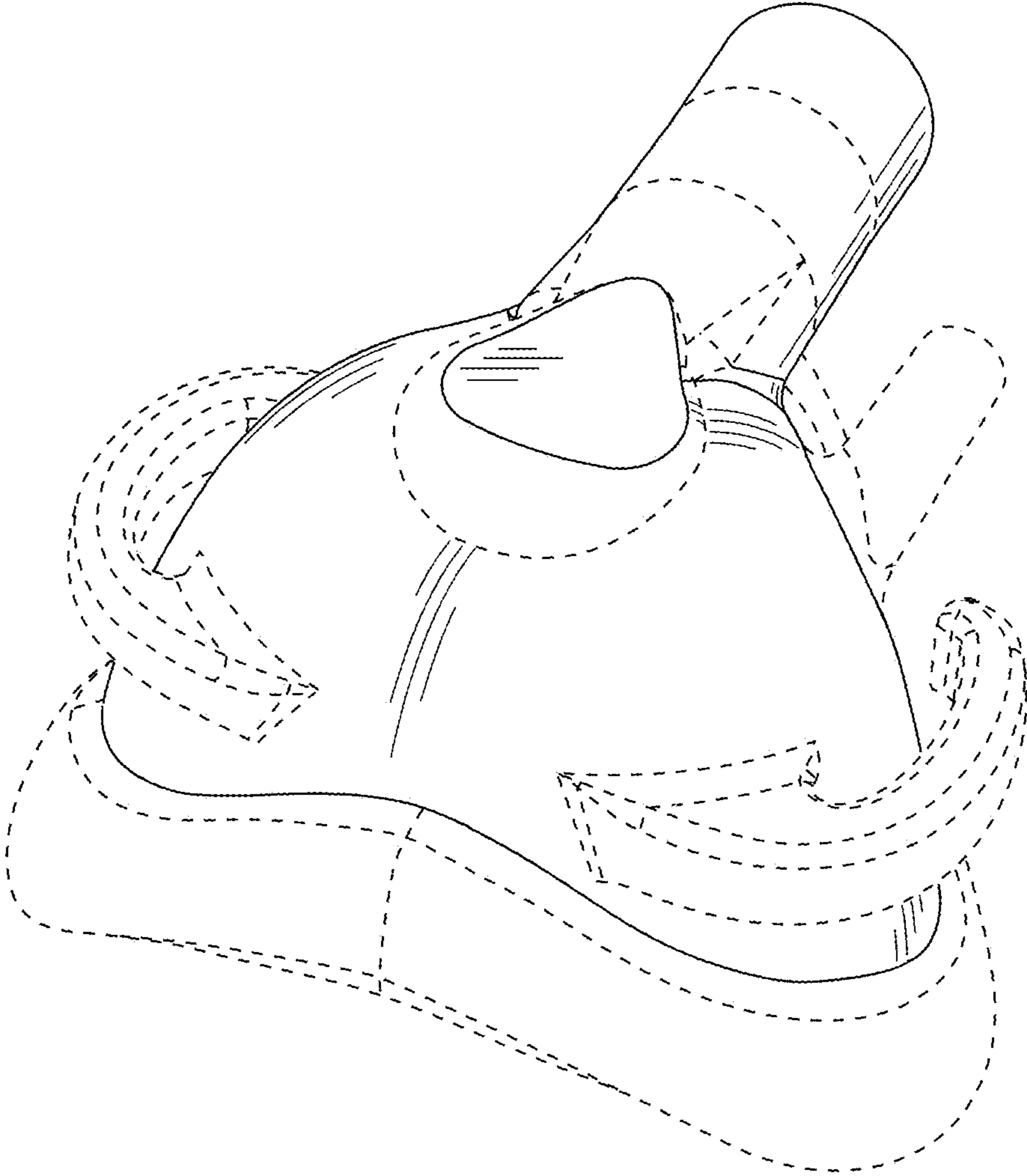


Fig. 3

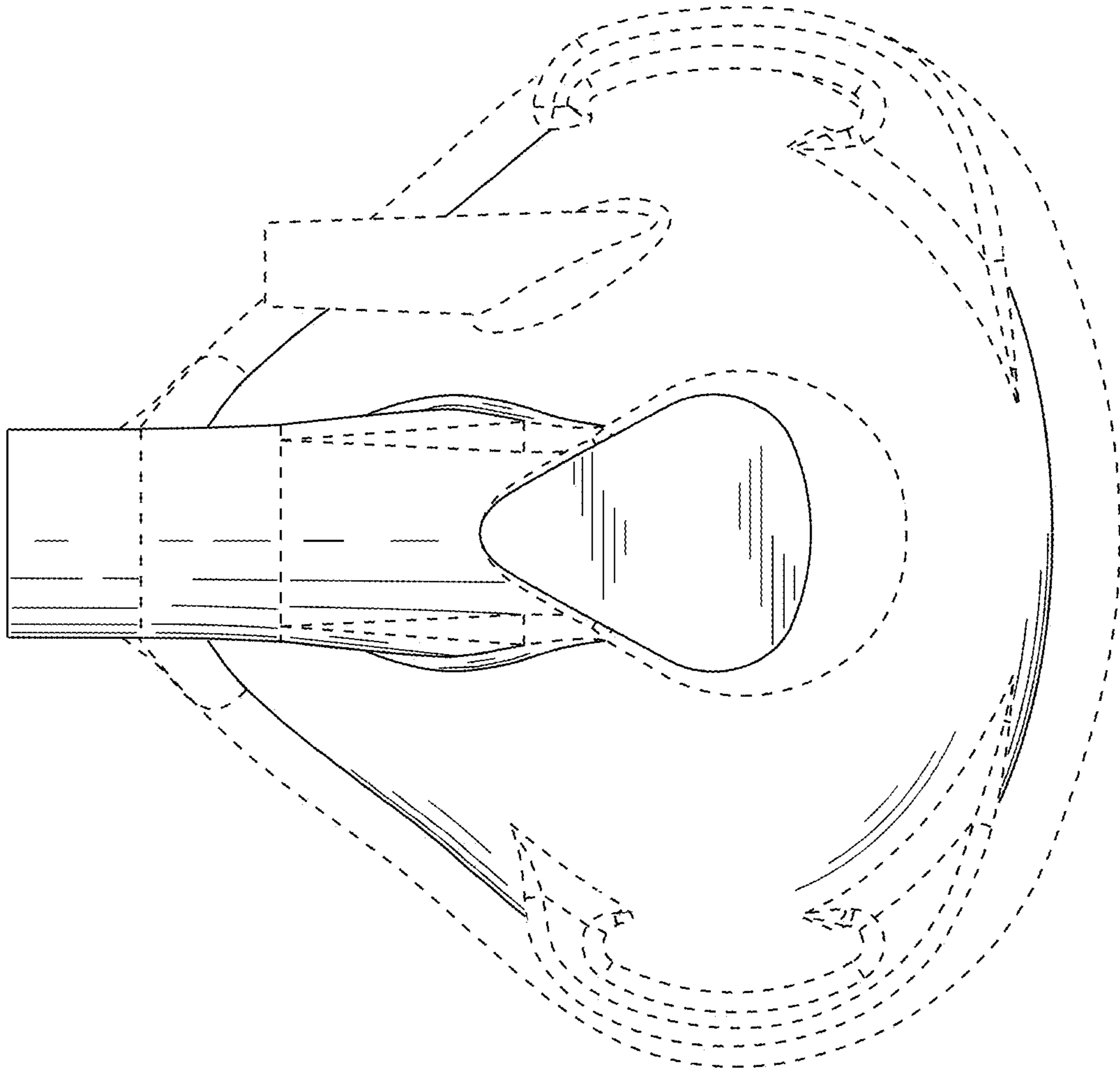


Fig. 4

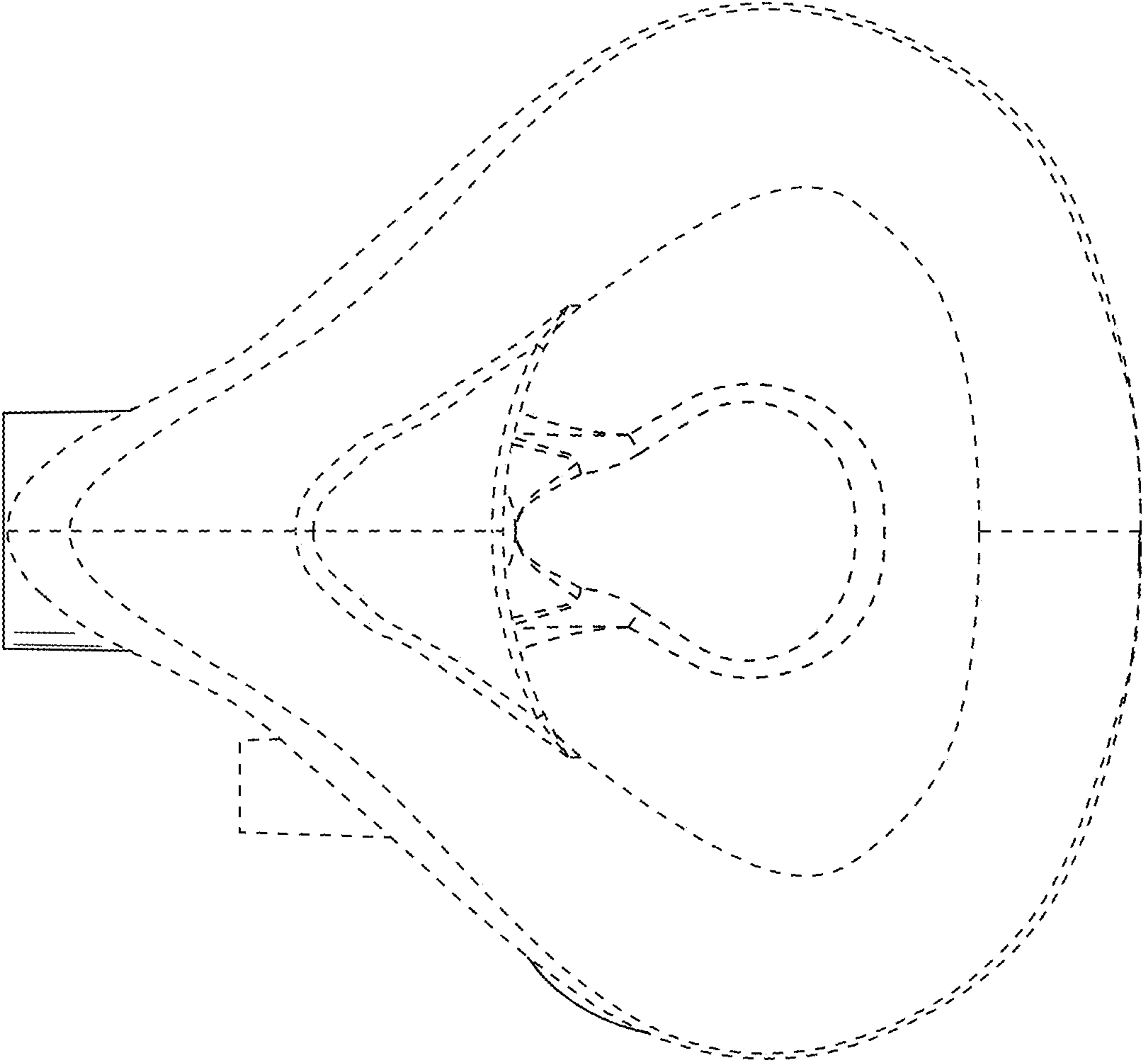


Fig. 5

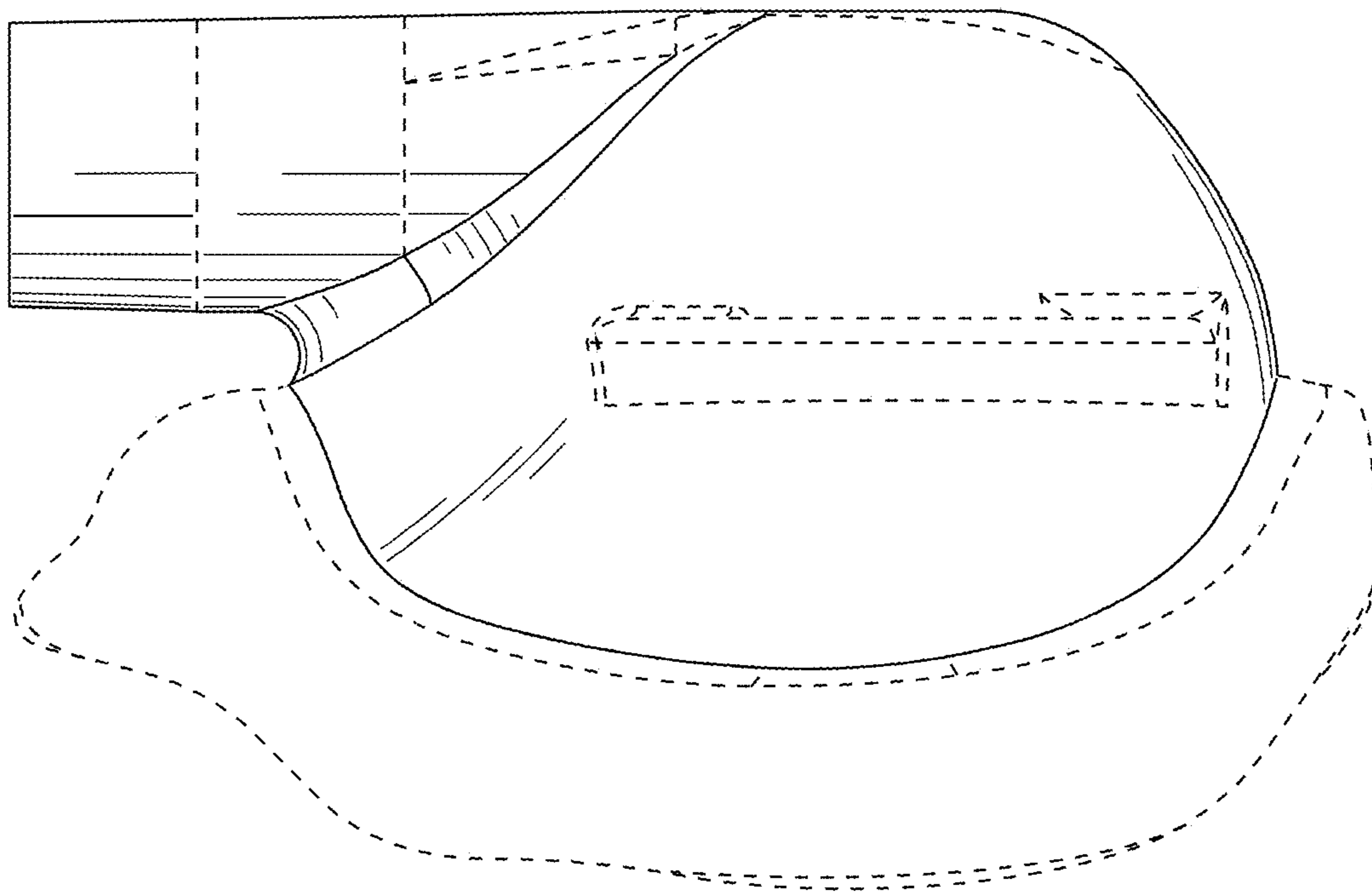


Fig. 6

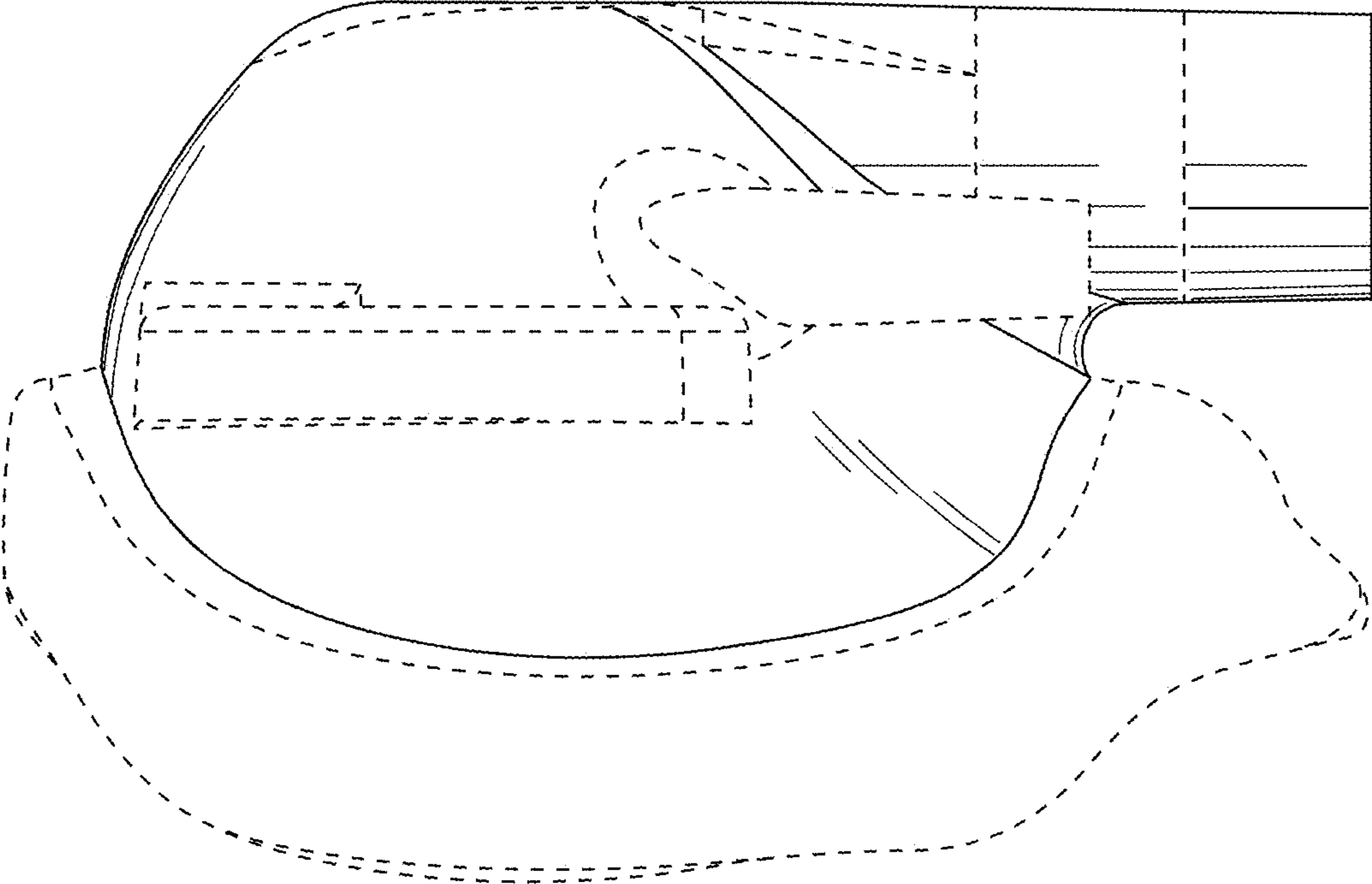


Fig. 7

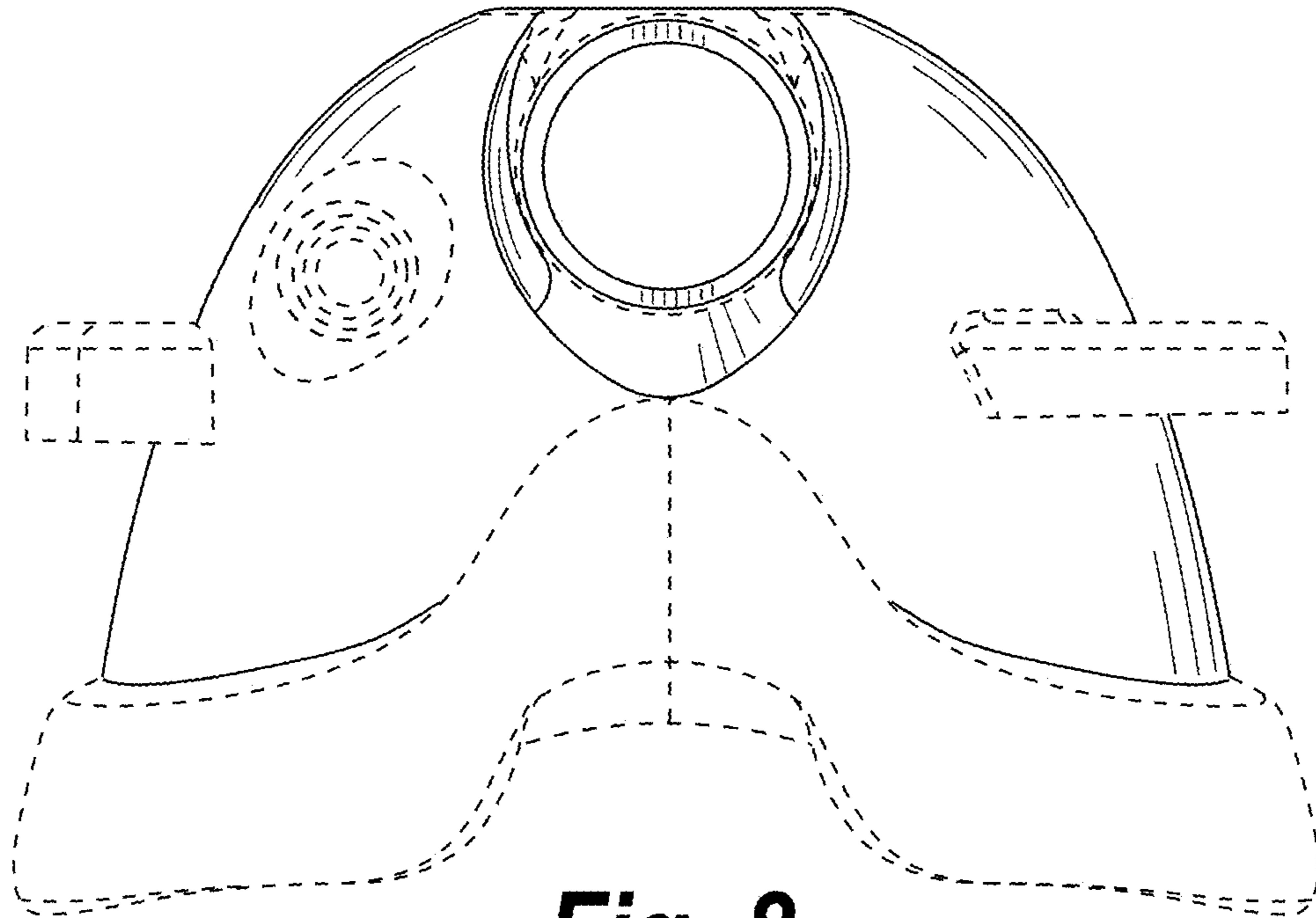


Fig. 8

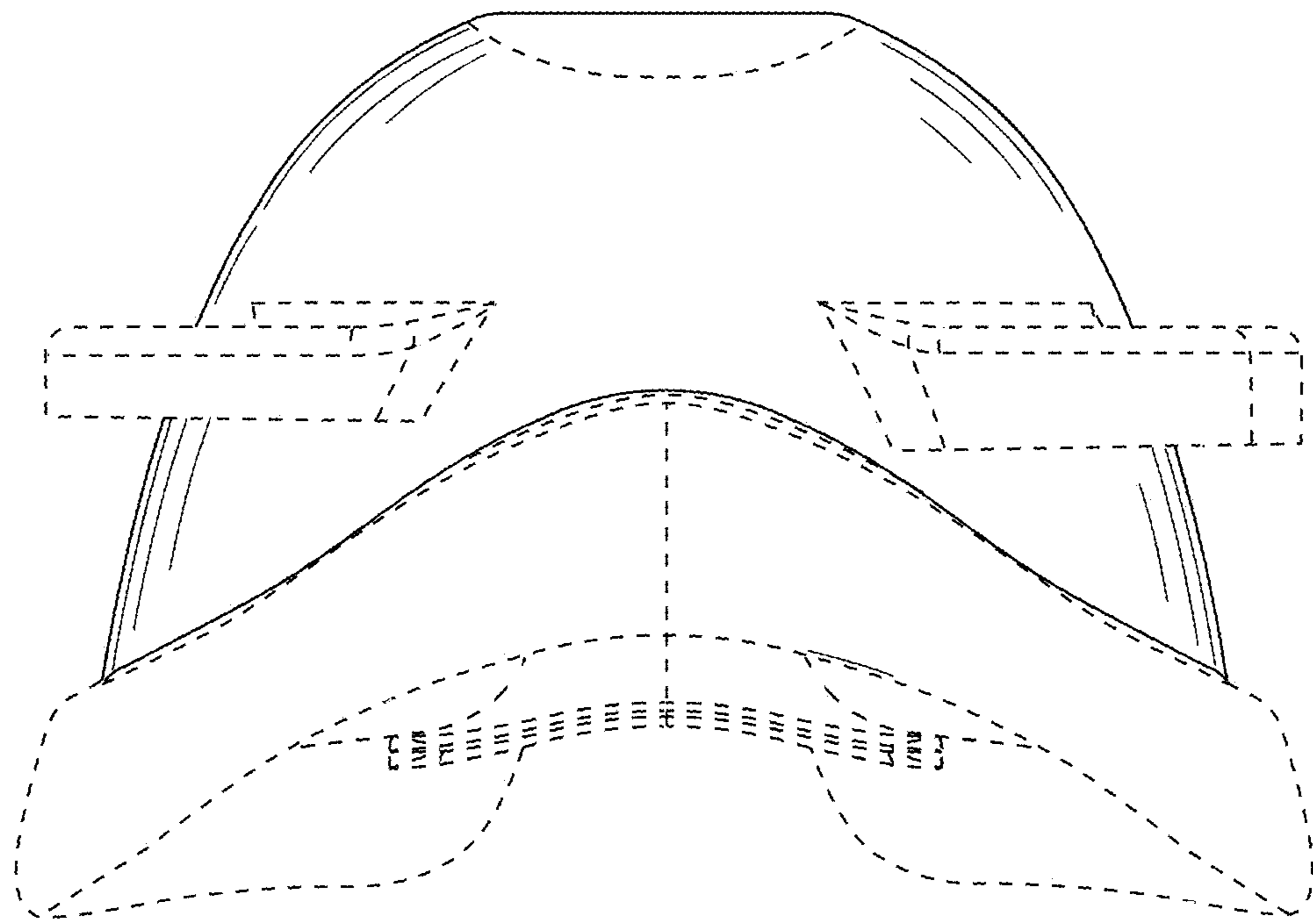


Fig. 9