



US00D930149S

(12) **United States Design Patent** (10) **Patent No.:** **US D930,149 S**  
**Huang** (45) **Date of Patent:** **\*\* Sep. 7, 2021**

(54) **MASK BRACKET**  
(71) Applicant: **Mingzong Huang**, Xiamen (CN)  
(72) Inventor: **Mingzong Huang**, Xiamen (CN)  
(\*\*) Term: **15 Years**

D812,737 S \* 3/2018 Moulton ..... D24/110.1  
D838,836 S 1/2019 Liu  
10,561,181 B2 \* 2/2020 Pearson ..... A41D 31/102  
D897,606 S \* 9/2020 Oliver ..... D29/108  
2003/0205231 A1 \* 11/2003 Shigematsu ..... A41D 13/11  
128/206.21  
2009/0235934 A1 \* 9/2009 Martin ..... A62B 18/10  
128/206.15

(Continued)

(21) Appl. No.: **29/748,398**  
(22) Filed: **Aug. 28, 2020**

FOREIGN PATENT DOCUMENTS

(30) **Foreign Application Priority Data**  
Jun. 17, 2020 (CN) ..... 202030311178.4

CN 306134494 \* 10/2020  
CN 306145240 \* 10/2020

(Continued)

(51) **LOC (13) Cl.** ..... **29-02**  
(52) **U.S. Cl.**  
USPC ..... **D24/110.1**

OTHER PUBLICATIONS

(58) **Field of Classification Search**  
USPC .... D24/110-110.4, 127, 164, 128; D29/110,  
D29/108, 111, 129  
CPC ..... A61M 16/06; A61M 16/0622; A41D  
13/1138; A41D 13/1107; A41D 13/11;  
A41D 13/113; A62B 18/025; A62B  
23/025; A62B 18/02; A62B 7/10; A62B  
18/10; A62B 18/00; A62B 23/00; A62B  
23/02  
See application file for complete search history.

Breathable Face Mask Support. Shopee. Earliest Review date: Aug. 21, 2020. Retrieved from Internet: <https://shopee.ph/Breathable-Face-Mask-Support-i.63369825.5143444552> (Year: 2020).\*

(Continued)

*Primary Examiner* — Lilyana Bekic  
(74) *Attorney, Agent, or Firm* — ScienBiziP, P.C.

(57) **CLAIM**

The ornamental design for a mask bracket, as shown and described.

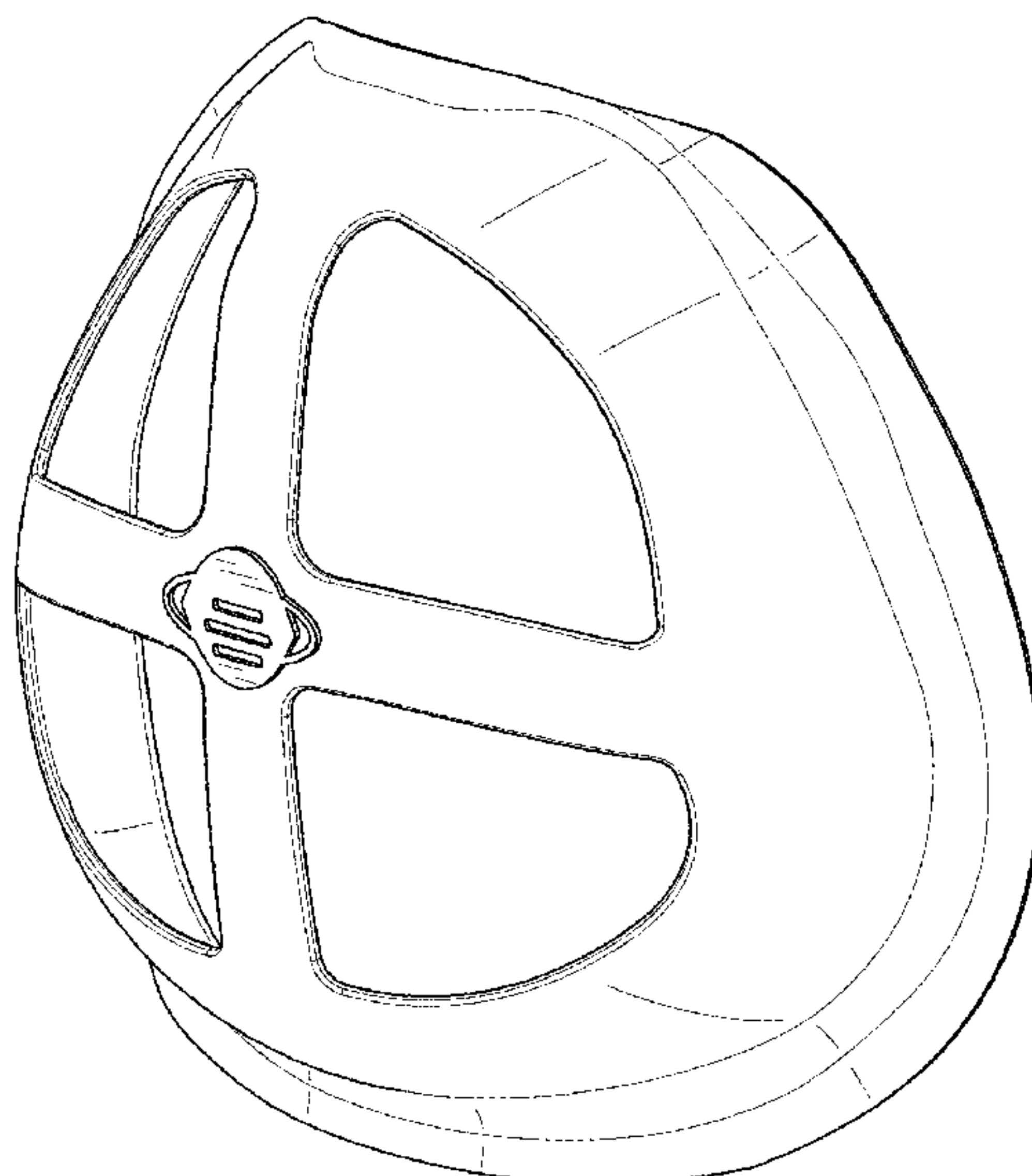
(56) **References Cited**  
U.S. PATENT DOCUMENTS

**DESCRIPTION**

2,149,067 A \* 2/1939 Otero ..... A41D 13/11  
128/863  
D198,359 S \* 6/1964 Wallace ..... D29/111  
6,817,362 B2 \* 11/2004 Gelinas ..... A62B 18/025  
128/206.12  
6,968,844 B2 \* 11/2005 Liland ..... A61M 16/0605  
128/206.16  
8,066,006 B2 \* 11/2011 Daugaard ..... A41D 13/11  
128/206.16  
D805,256 S 12/2017 Yang  
D811,582 S \* 2/2018 Moulton ..... D24/110.1

FIG. 1 is a front perspective view of a mask bracket, showing my design.  
FIG. 2 is a rear perspective view thereof.  
FIG. 3 is a front elevation view thereof.  
FIG. 4 is a rear elevation view thereof.  
FIG. 5 is a left side elevation view thereof.  
FIG. 6 is a right side elevation view thereof.  
FIG. 7 is a top plan view thereof; and,  
FIG. 8 is a bottom plan view thereof.

**1 Claim, 8 Drawing Sheets**



(56)

References Cited

U.S. PATENT DOCUMENTS

2012/0042878 A1\* 2/2012 Woo ..... A41D 13/1138  
128/206.15  
2013/0139823 A1\* 6/2013 Lee ..... A62B 23/025  
128/206.19  
2014/0216479 A1\* 8/2014 Jeong ..... A41D 13/1138  
128/863  
2018/0008848 A1\* 1/2018 Moulton ..... A41D 13/1138

FOREIGN PATENT DOCUMENTS

CN 306170558 \* 11/2020  
CN 306178253 \* 11/2020  
CN 306206962 \* 12/2020  
CN 306226100 \* 12/2020  
CN 306258537 \* 12/2020  
CN 306287449 \* 1/2021  
CN 306339146 \* 2/2021  
CN 306355284 \* 2/2021  
CN 306355286 \* 2/2021  
CN 306386210 \* 3/2021  
CN 306407123 \* 3/2021  
EM 008165468-0001 \* 9/2020  
EM 008165468-0002 \* 9/2020

OTHER PUBLICATIONS

12 Face Brackets that Will Make Your Kids' Face Masks More Comfortable. Popsugar. Date published: Sep. 8, 2020. Retrieved from Internet: <https://www.popsugar.com/family/best-brackets-for-kids-face-masks-47768600/print> (Year: 2020).\*

4 Styles 3D Mask Bracket. DHGate. Earliest Date: Jul. 8, 2020. Retrieved from Internet: <https://www.dhgate.com/product/harry-potter-magic-wand-cosplay-toys-core/476410090.html> (Year: 2020).\*

Cool Protection Stand—3D Mask Bracket. Amazon. Earliest review date: Jul. 1, 2020. Retrieved from Internet: [https://www.amazon.com/Cool-Protection-Stand-Comfortable-Breathing/dp/B088CT535G/ref=cm\\_cr\\_ar\\_p\\_d\\_product\\_top?ie=UTF8](https://www.amazon.com/Cool-Protection-Stand-Comfortable-Breathing/dp/B088CT535G/ref=cm_cr_ar_p_d_product_top?ie=UTF8) (Year: 2020).\*

Silicone Mask Bracket. Anesidora. Amazon. Date first available: May 23, 2020. Retrieved from Internet: [https://www.amazon.com/Silicone-Homemade-Comfortable-Breathing-Washable/dp/B08931ZQZC/ref=sr\\_1\\_6?dchild=1&keywords=ANESIDORA&q%2E%80%A6](https://www.amazon.com/Silicone-Homemade-Comfortable-Breathing-Washable/dp/B08931ZQZC/ref=sr_1_6?dchild=1&keywords=ANESIDORA&q%2E%80%A6) (Year: 2020).\*

Face Mask Inner Support Frame. DHGate. Earliest date: Aug. 10, 2020. Retrieved from Internet: <https://www.dhgate.com/product/face-mask-inner-support-frame-homemade-cloth/565288651.html?skuid=752697636780843014> (Year: 2020).\*

\* cited by examiner

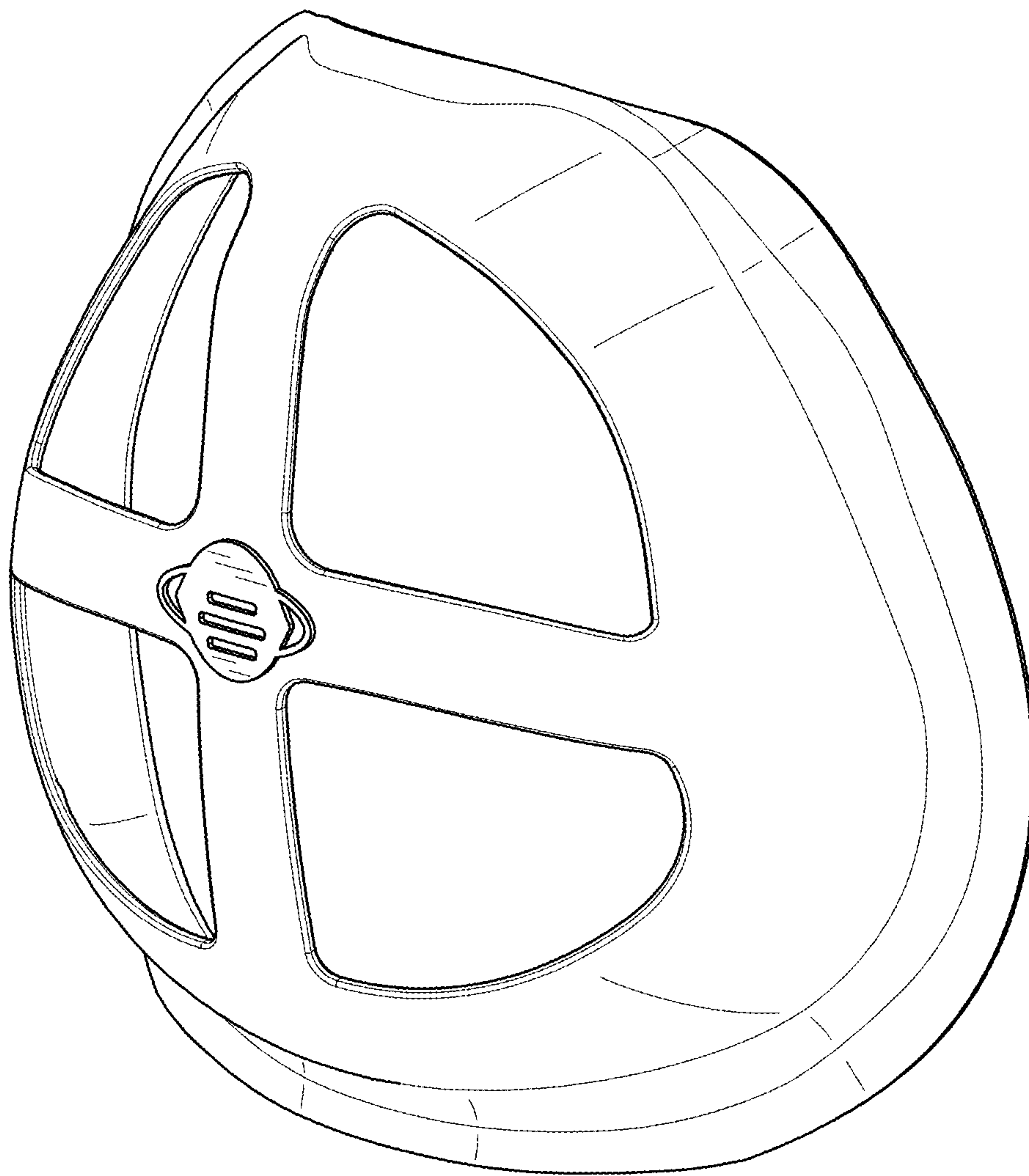


FIG.1

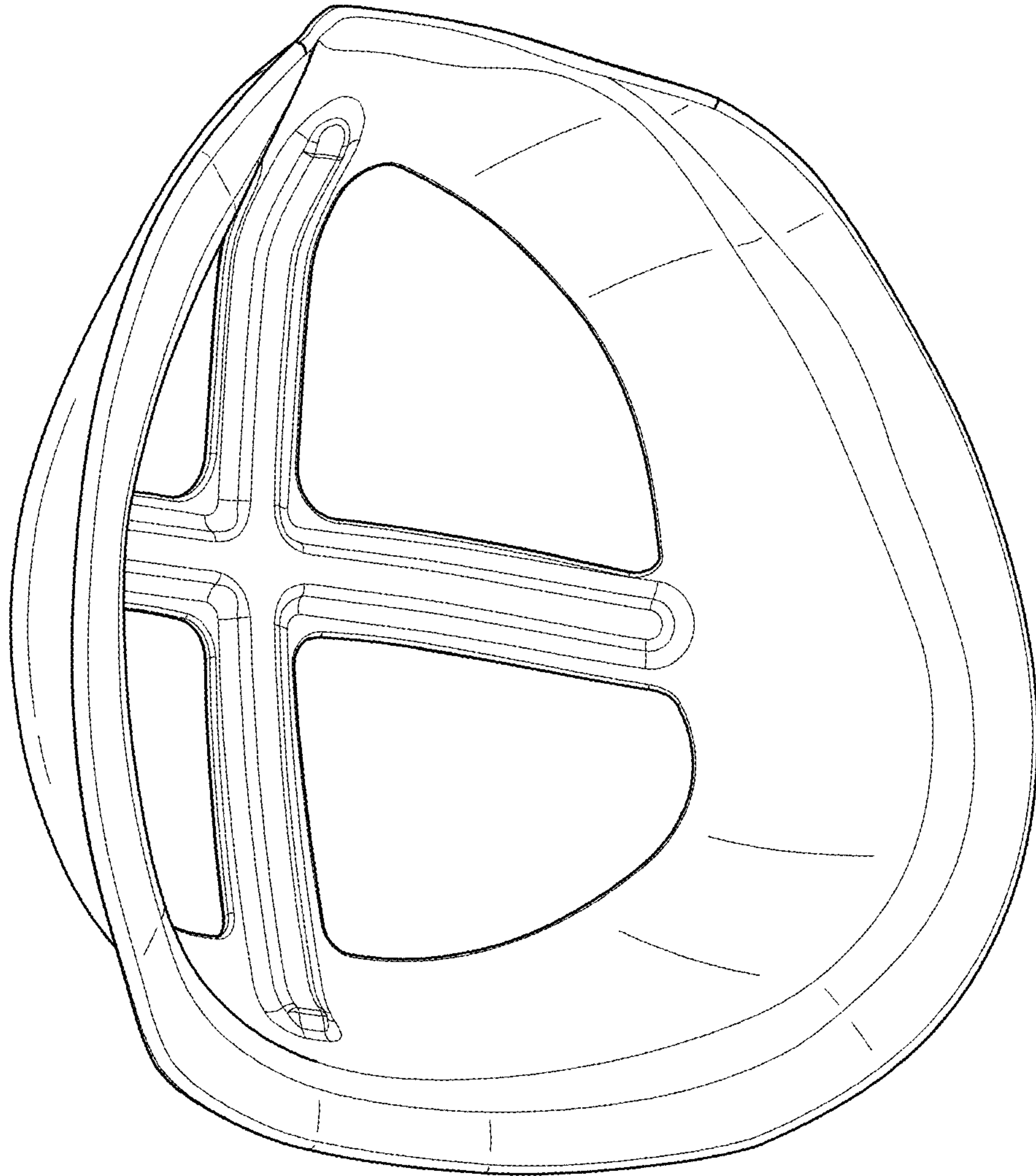


FIG.2



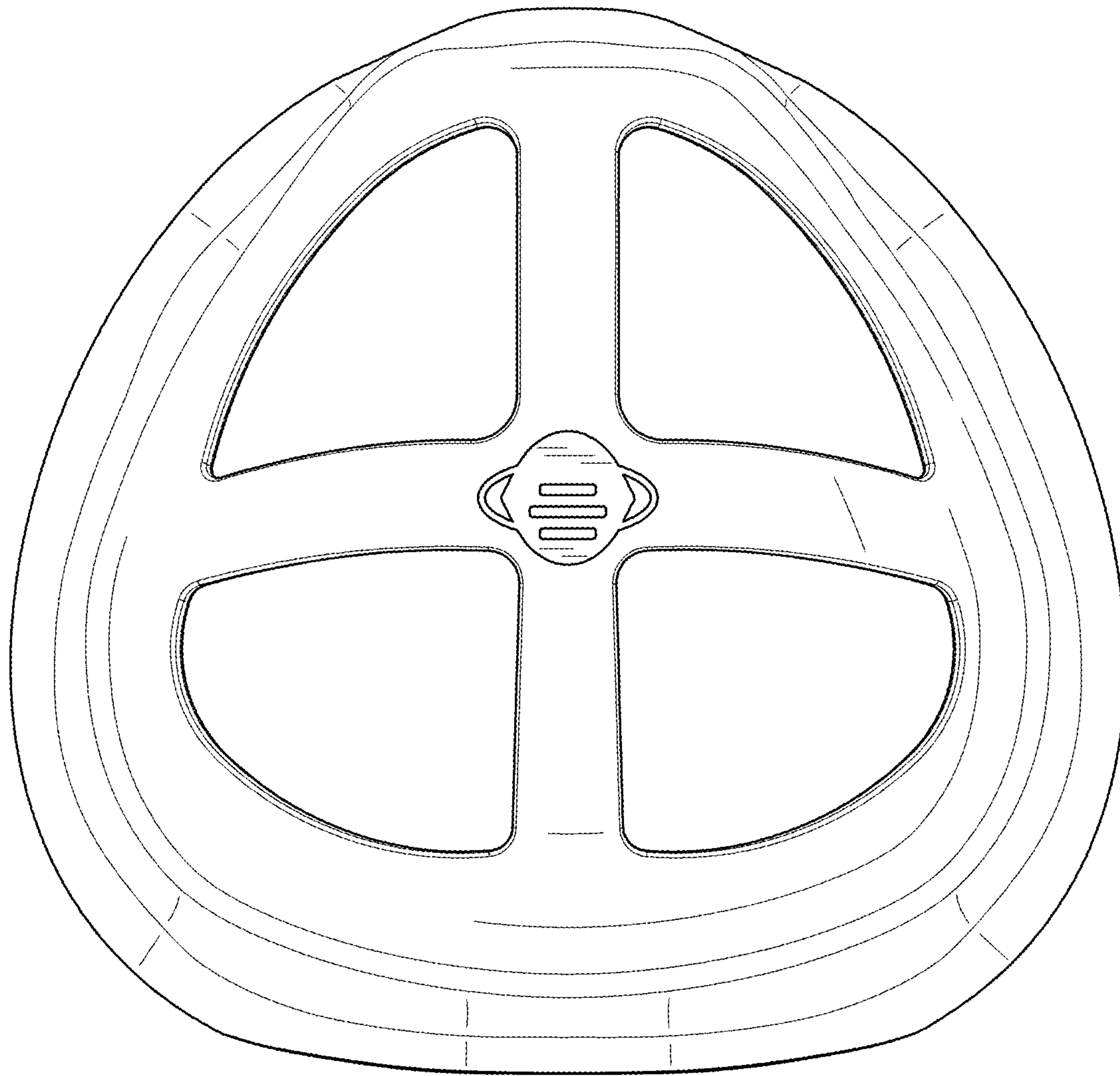


FIG.3

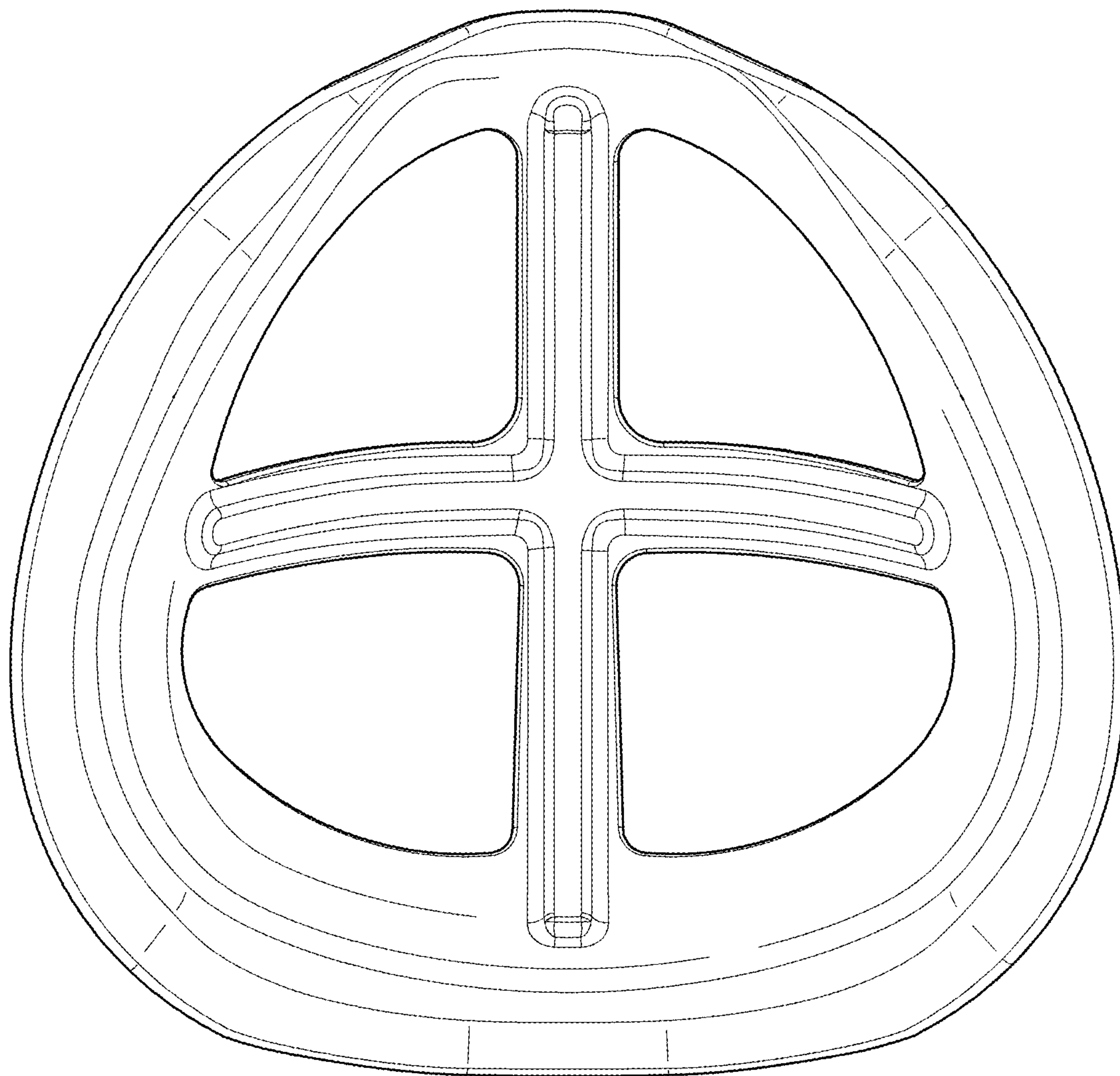


FIG.4

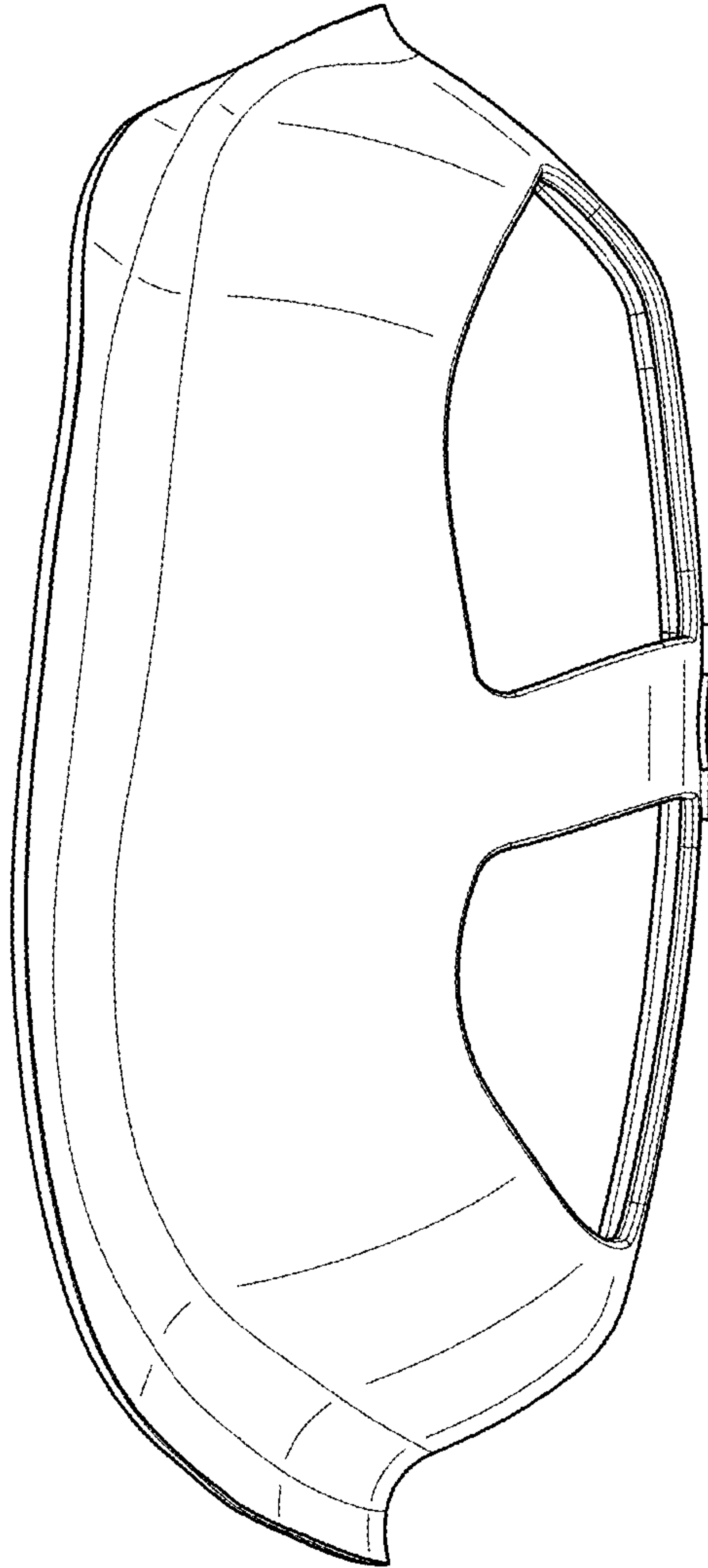


FIG.5

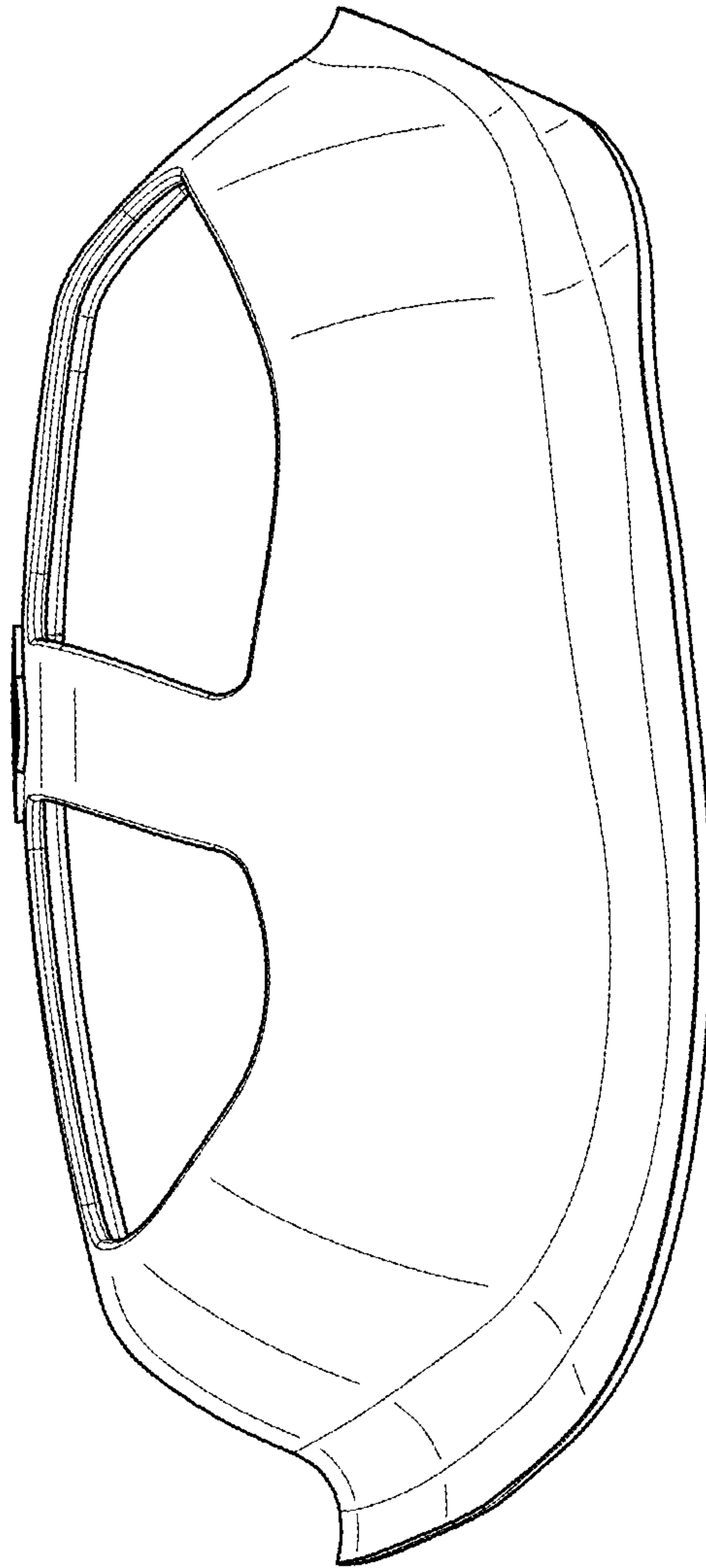


FIG.6



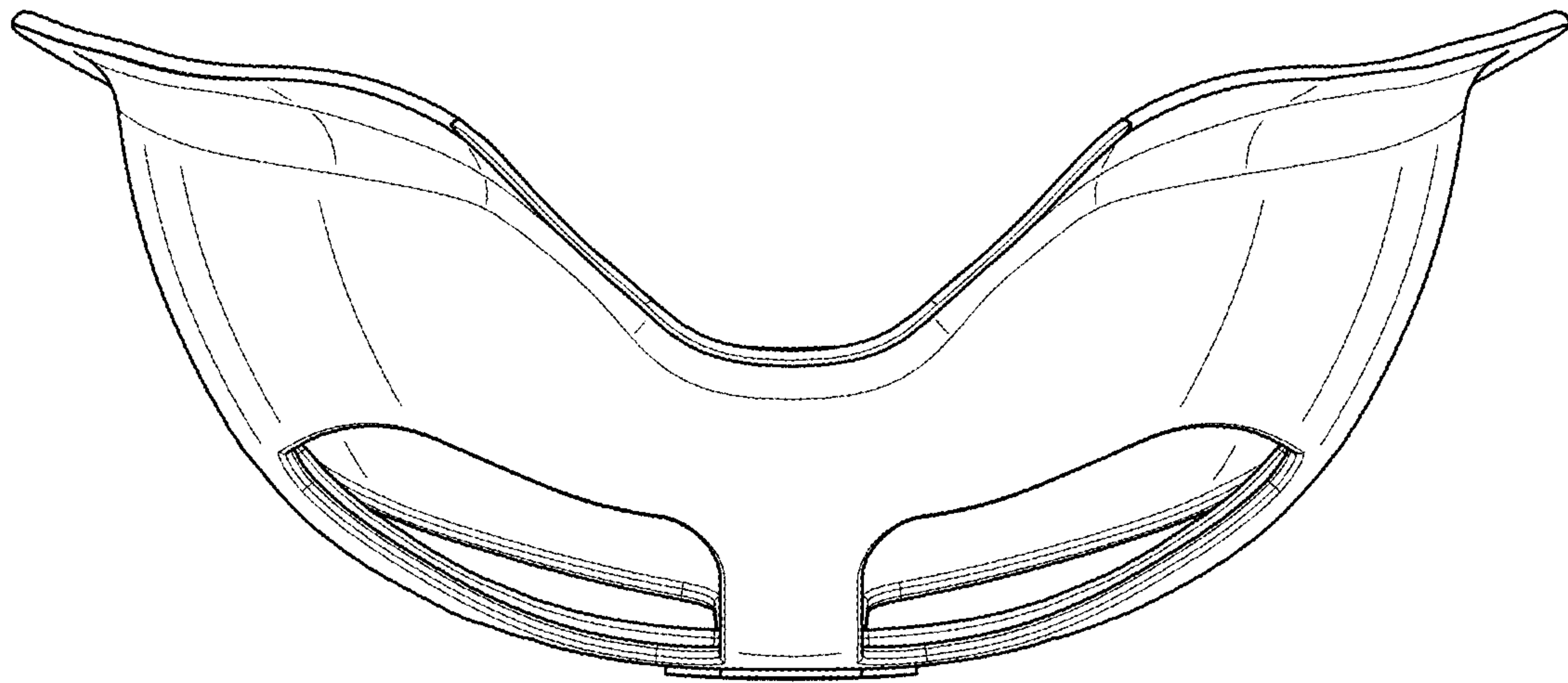


FIG.7

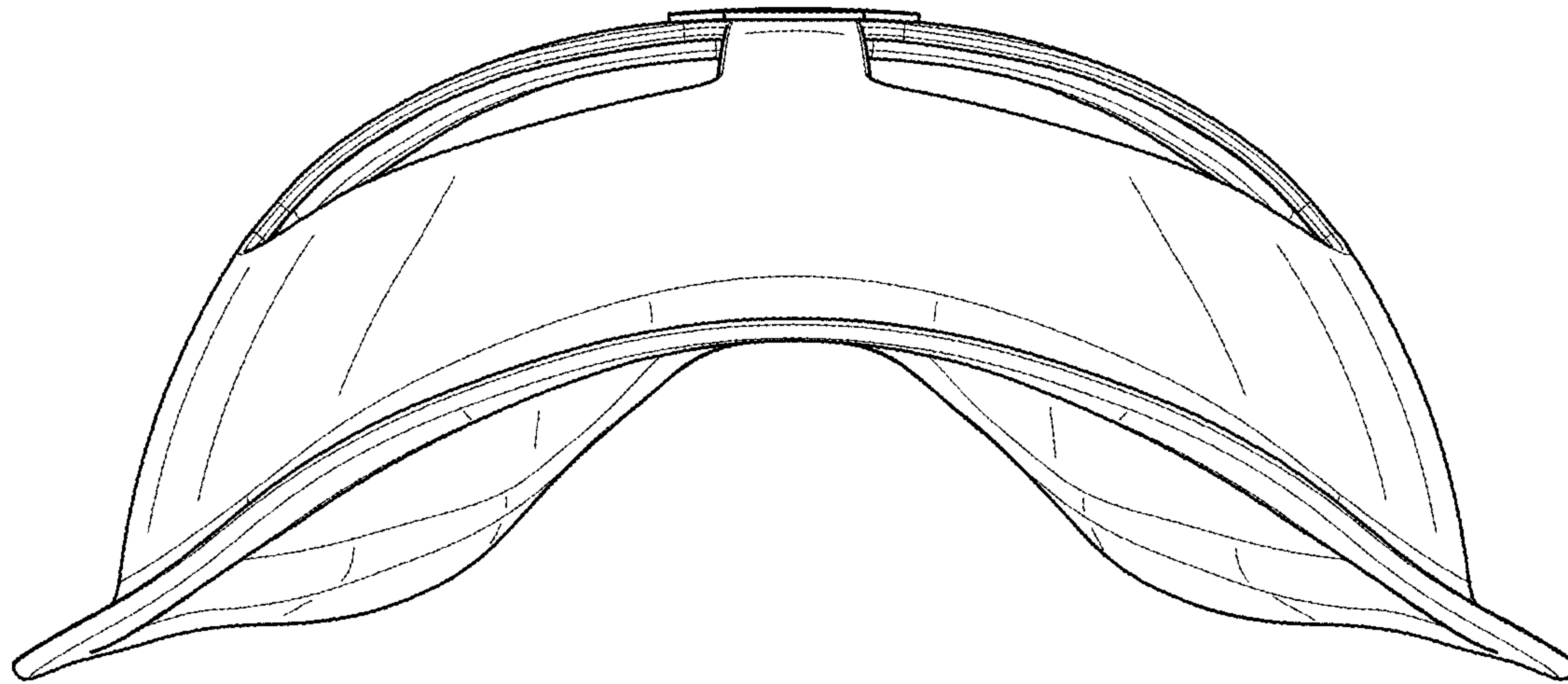


FIG.8