



US00D930148S

(12) **United States Design Patent**
Dantanarayana et al.

(10) **Patent No.:** **US D930,148 S**
(45) **Date of Patent:** **** Sep. 7, 2021**

(54) **COMBINATION CUSHION FRAME AND RIGIDIZER ARMS FOR RESPIRATORY MASK**

(71) Applicant: **ResMed Pty Ltd**, Bella Vista (AU)

(72) Inventors: **Muditha Pradeep Dantanarayana**, Sydney (AU); **Charles Harry Finch**, Sydney (AU); **Chia Ik Tan**, Sydney (AU); **Stewart Joseph Wagner**, Hawkesbury (AU)

(73) Assignee: **ResMed Pty Ltd**, Bella Vista (AU)

(**) Term: **15 Years**

(21) Appl. No.: **29/748,056**

(22) Filed: **Aug. 27, 2020**

Related U.S. Application Data

(60) Continuation of application No. 29/666,398, filed on Oct. 12, 2018, now Pat. No. Des. 895,103, which is a division of application No. 29/585,943, filed on Nov. 30, 2016, now Pat. No. Des. 882,757.

(51) **LOC (13) Cl.** **29-02**

(52) **U.S. Cl.**
USPC **D24/110.1**

(58) **Field of Classification Search**
USPC D24/110–110.6, 127, 129; D29/110
CPC A61M 16/0616; A61M 16/0633; A61M 16/06; A61M 16/0666; A61M 16/0683; A61M 16/0605; A61M 16/0622; A61M 16/0644; A61M 16/0875; A61M 16/0816; A61M 16/08; B63C 11/205; B63C 11/16; B63C 11/186; B63C 11/12
See application file for complete search history.

(56) **References Cited**

U.S. PATENT DOCUMENTS

D586,907 S 2/2009 Judson
D623,288 S 9/2010 Lubke
D656,231 S 3/2012 Henry
D659,237 S 5/2012 Lubke

(Continued)

OTHER PUBLICATIONS

Dantanarayana et al., U.S. Appl. No. 29/666,398, filed Oct. 12, 2018 for “Respiratory Mask and/or Components Thereof,” (parent application).

Primary Examiner — Aula Soroush

(74) *Attorney, Agent, or Firm* — Nixon & Vanderhye P.C.

(57) **CLAIM**

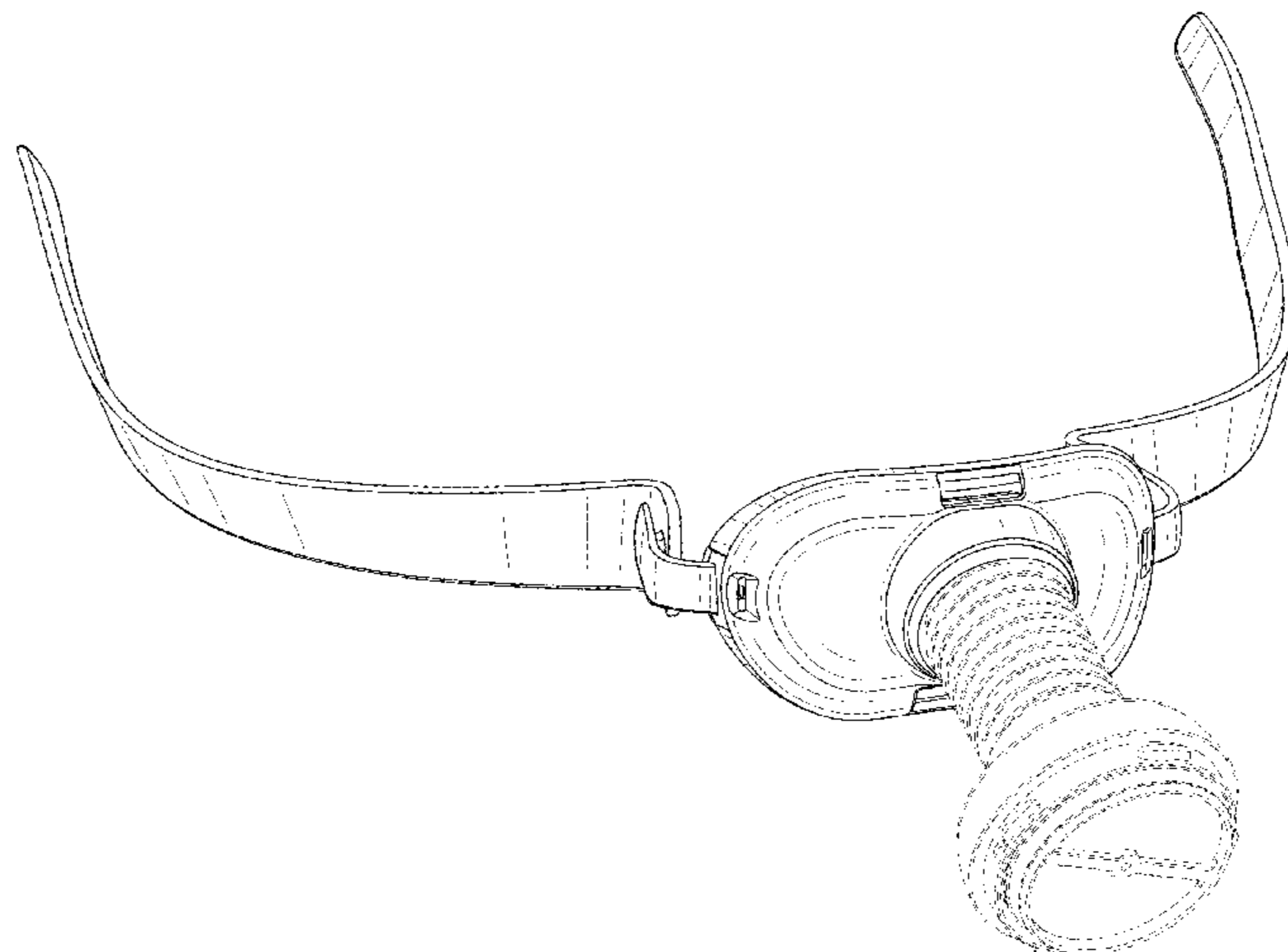
The ornamental design for a combination cushion frame and rigidizer arms for respiratory mask, as shown and described.

DESCRIPTION

FIG. 1 is a front perspective view of a combination cushion frame and rigidizer arms for respiratory mask showing a first embodiment of our new design; FIG. 2 is a front view thereof; FIG. 3 is a rear view thereof; FIG. 4 is a top view thereof; FIG. 5 is a bottom view thereof; FIG. 6 is a left side view thereof; FIG. 7 is a right side view thereof; FIG. 8 is a front perspective view of a combination cushion frame and rigidizer arms for respiratory mask showing a second embodiment of our new design; FIG. 9 is a front view thereof; FIG. 10 is a rear view thereof; FIG. 11 is a top view thereof; FIG. 12 is a bottom view thereof; FIG. 13 is a left side view thereof; and, FIG. 14 is a right side view thereof.

The broken lines in the drawings depict portions of the combination cushion frame and rigidizer arms for respiratory mask that form no part of the claimed design.

1 Claim, 10 Drawing Sheets



(56)

References Cited

U.S. PATENT DOCUMENTS

D664,250 S 7/2012 Scheiner
 8,534,285 B2* 9/2013 Lee A61M 16/0633
 128/206.25
 D691,712 S 10/2013 Judson
 D692,554 S 10/2013 Siew
 8,573,201 B2* 11/2013 Rummery A62B 9/04
 128/202.27
 D704,329 S 5/2014 Collazo
 D708,736 S 7/2014 Judson
 D737,953 S 9/2015 Wells
 D740,935 S 10/2015 Cullen
 D743,535 S 11/2015 Wells
 D751,687 S 3/2016 Daly
 D757,252 S 5/2016 Von Moger
 D764,049 S 8/2016 Cullen
 D770,036 S 10/2016 Walls
 D771,238 S * 11/2016 Scheiner D24/110.1
 D787,661 S 5/2017 Edwards
 D787,662 S * 5/2017 Guney D24/110.4
 D794,772 S 8/2017 Cullen
 9,784,387 B2* 10/2017 Kaye F16L 33/34
 9,802,015 B2* 10/2017 Virr A61M 16/1095
 D805,630 S 12/2017 Formica
 D808,516 S * 1/2018 Edwards D24/110.4
 9,872,967 B2* 1/2018 Sims A61M 16/024

9,903,371 B2* 2/2018 Row A61M 16/0816
 10,105,510 B2* 10/2018 Buechi A61M 16/1065
 D865,158 S * 10/2019 Khera D24/110.4
 D878,546 S * 3/2020 Formica D24/110
 D880,686 S * 4/2020 Stoks D24/110
 D882,757 S 4/2020 Dantanarayana et al.
 D895,103 S 9/2020 Dantanarayana et al.
 2005/0155604 A1* 7/2005 Ging A44B 11/266
 128/206.21
 2007/0181130 A1* 8/2007 Worley A61M 16/0875
 128/207.14
 2010/0116272 A1* 5/2010 Row F04D 1/00
 128/204.17
 2012/0090622 A1 4/2012 Chang
 2012/0227738 A1* 9/2012 Virr A61M 16/0051
 128/204.21
 2014/0000614 A1 1/2014 Chang
 2016/0051784 A1* 2/2016 Eury A61M 16/0666
 128/207.18
 2016/0151596 A1* 6/2016 Slight A61M 16/06
 128/207.18
 2016/0213878 A1* 7/2016 Browning, Jr. A61M 16/06
 2017/0000964 A1 1/2017 Shafer
 2017/0100556 A1* 4/2017 Munkelt A61M 16/0808
 2017/0368285 A1 12/2017 Wood
 2018/0001044 A1 1/2018 Stephens

* cited by examiner

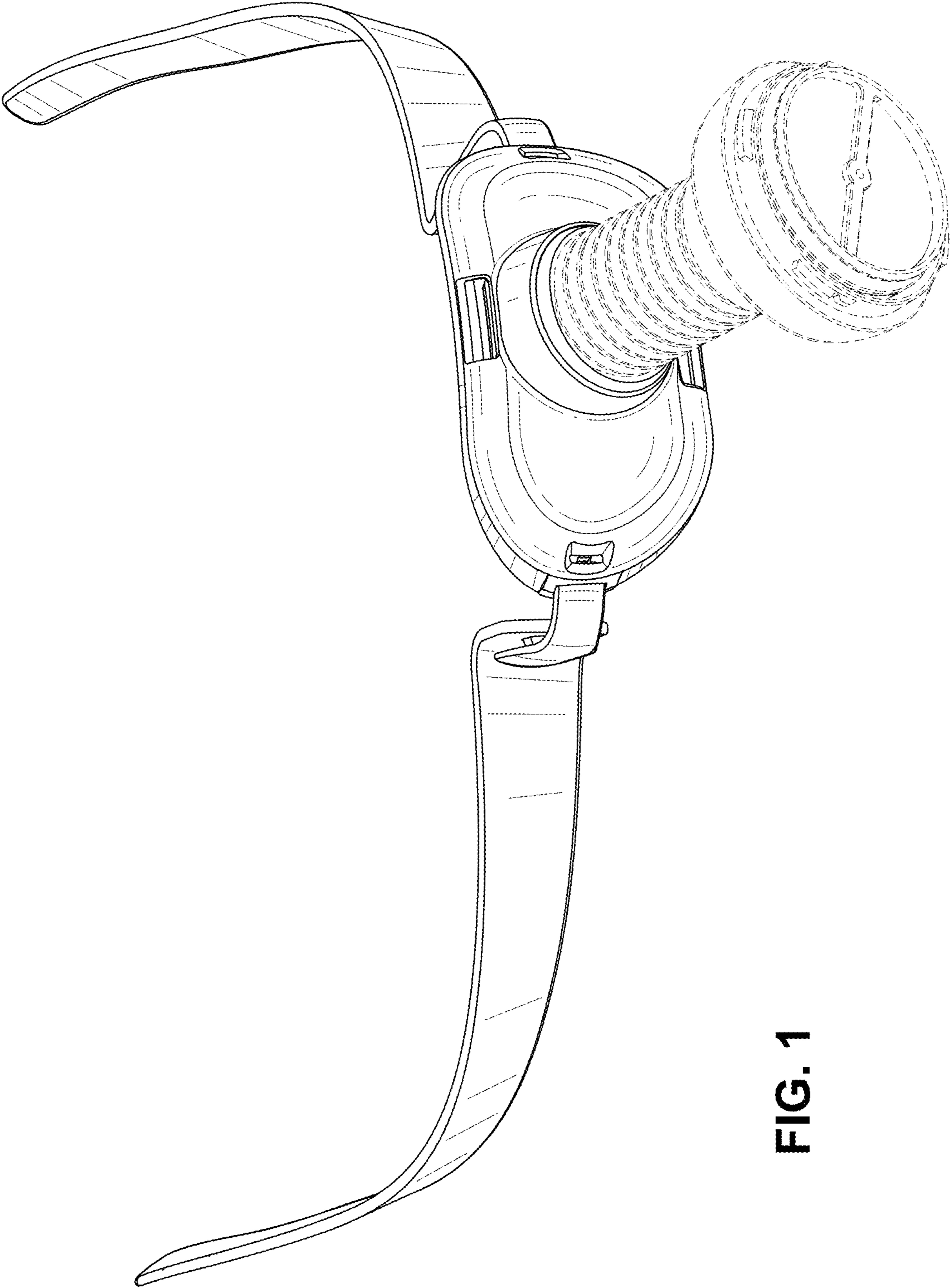


FIG. 1

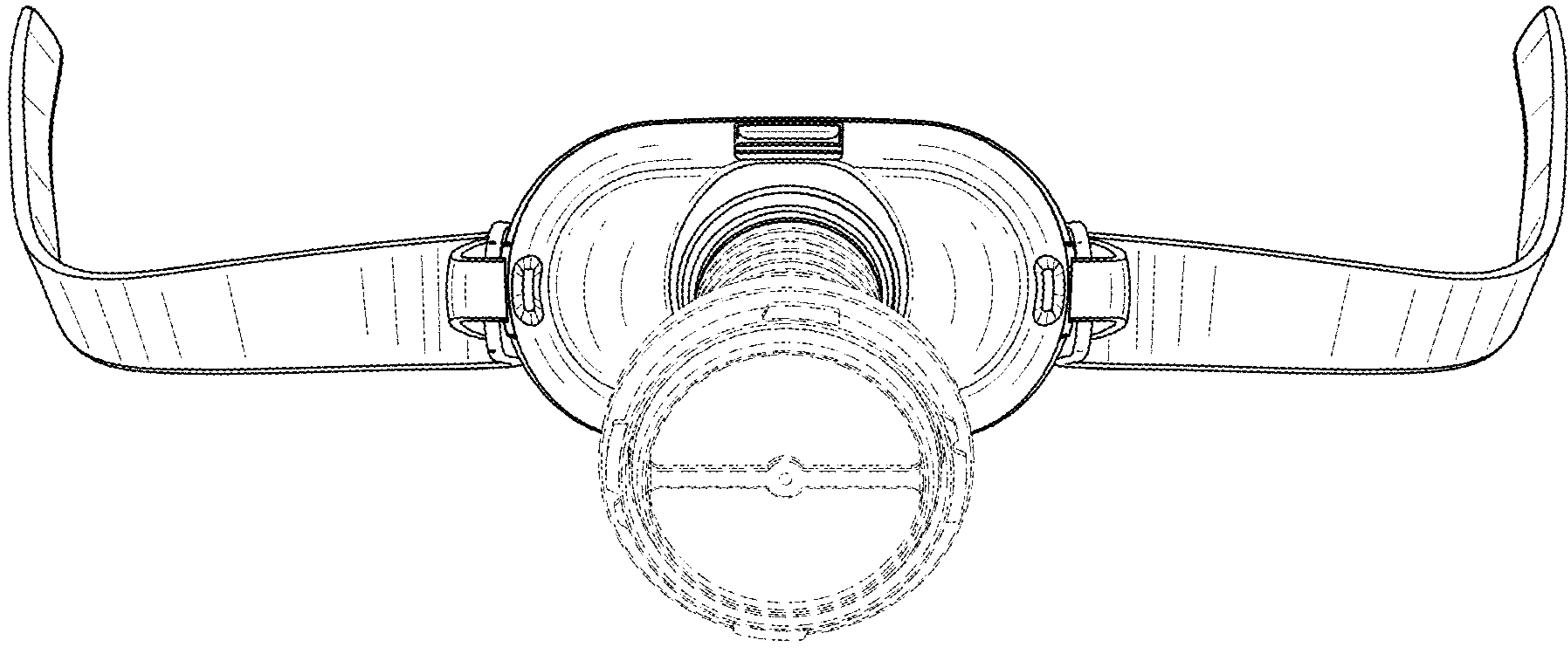


FIG. 2

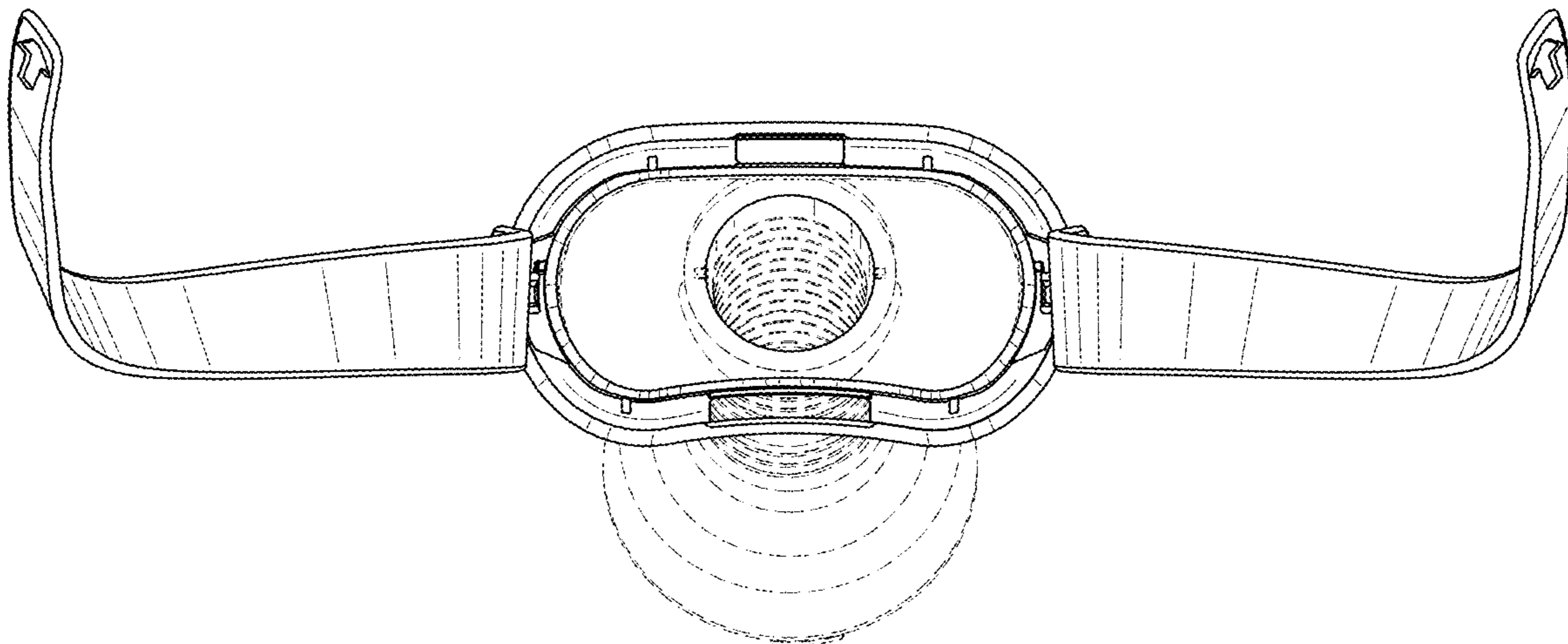


FIG. 3

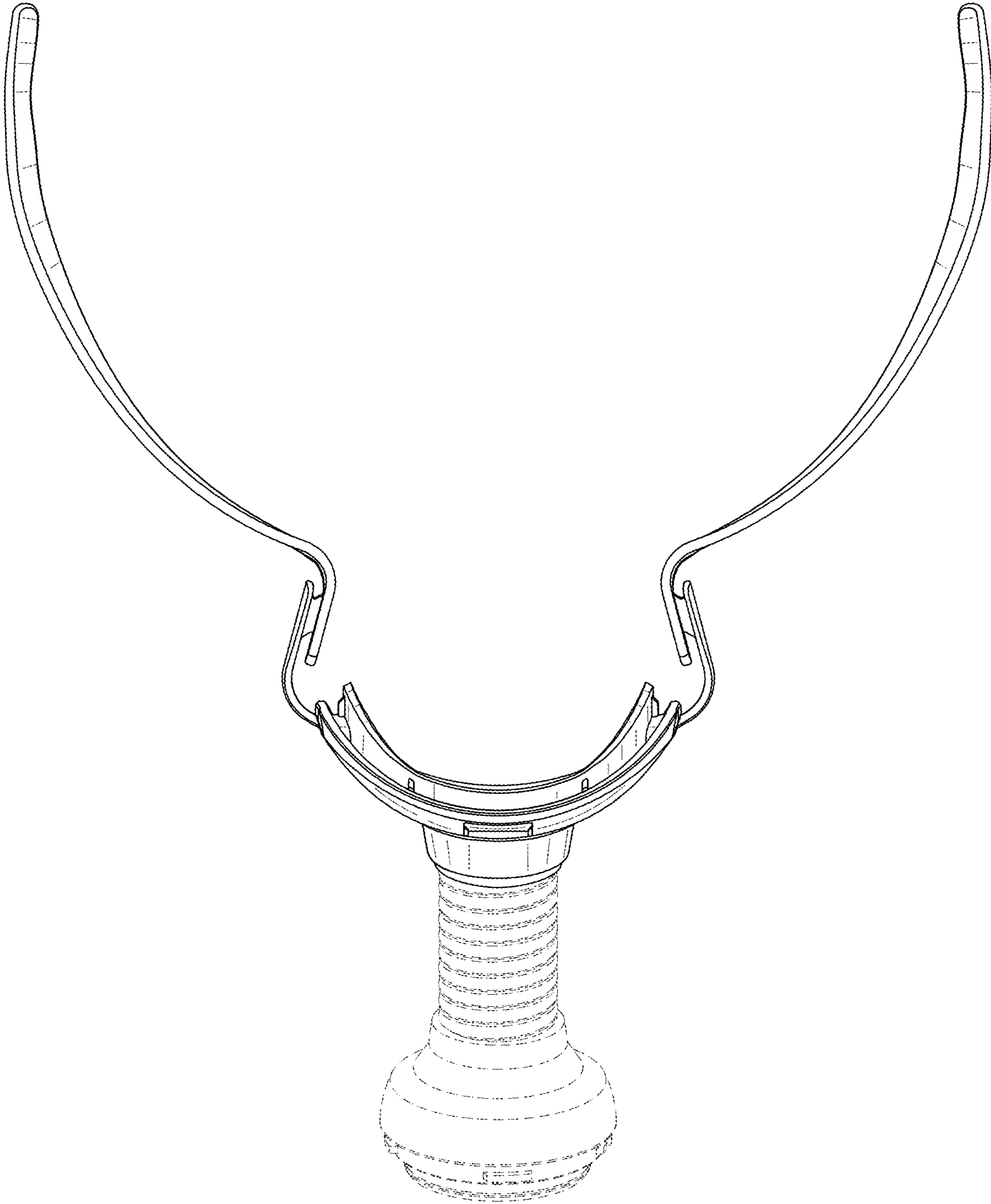


FIG. 4

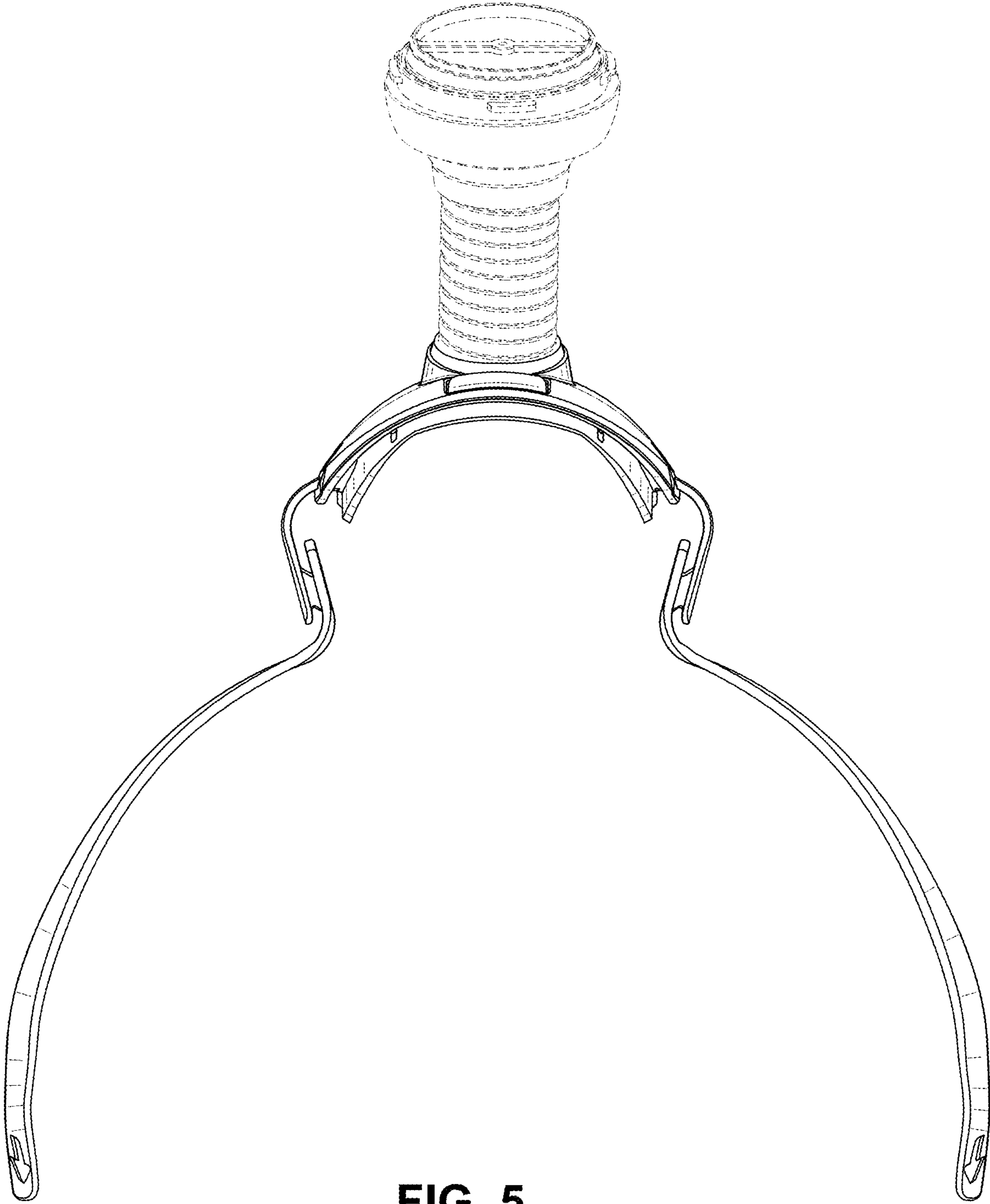


FIG. 5

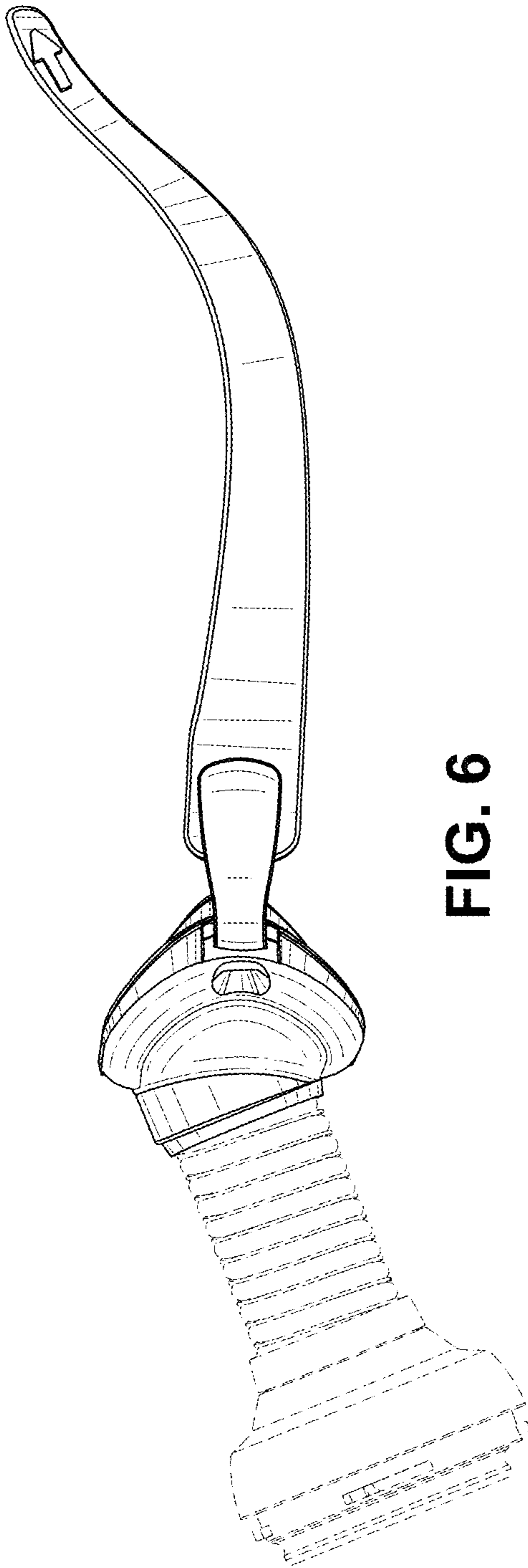


FIG. 6

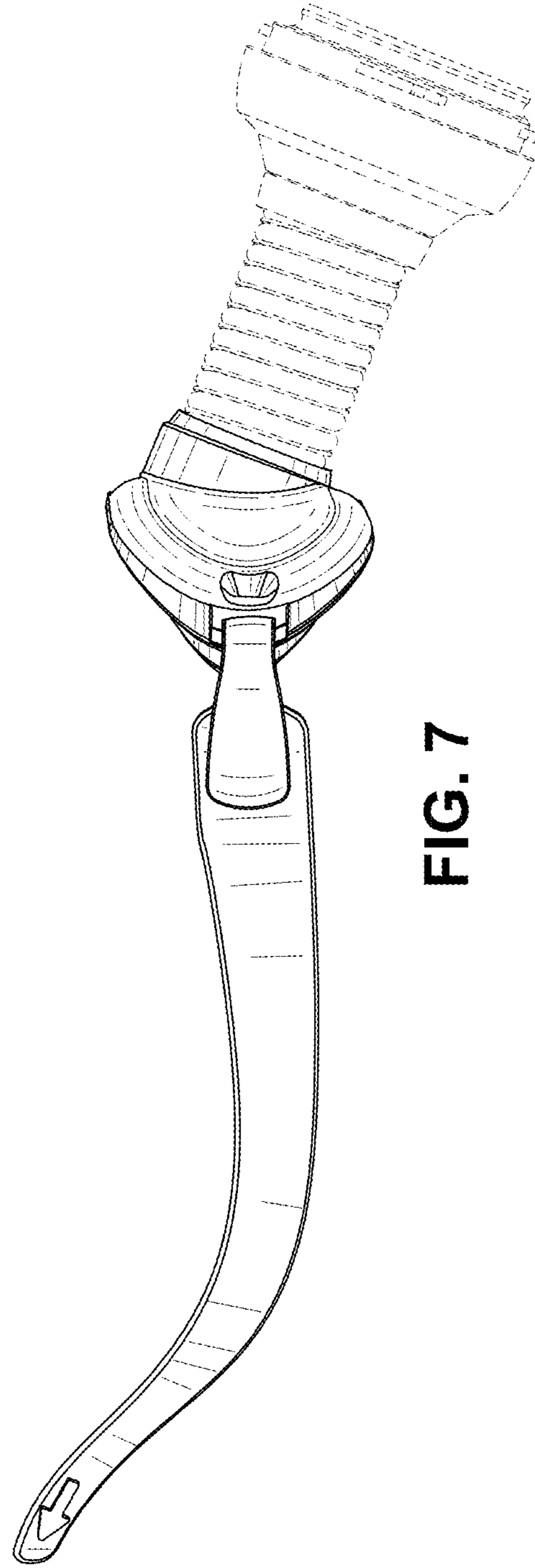


FIG. 7

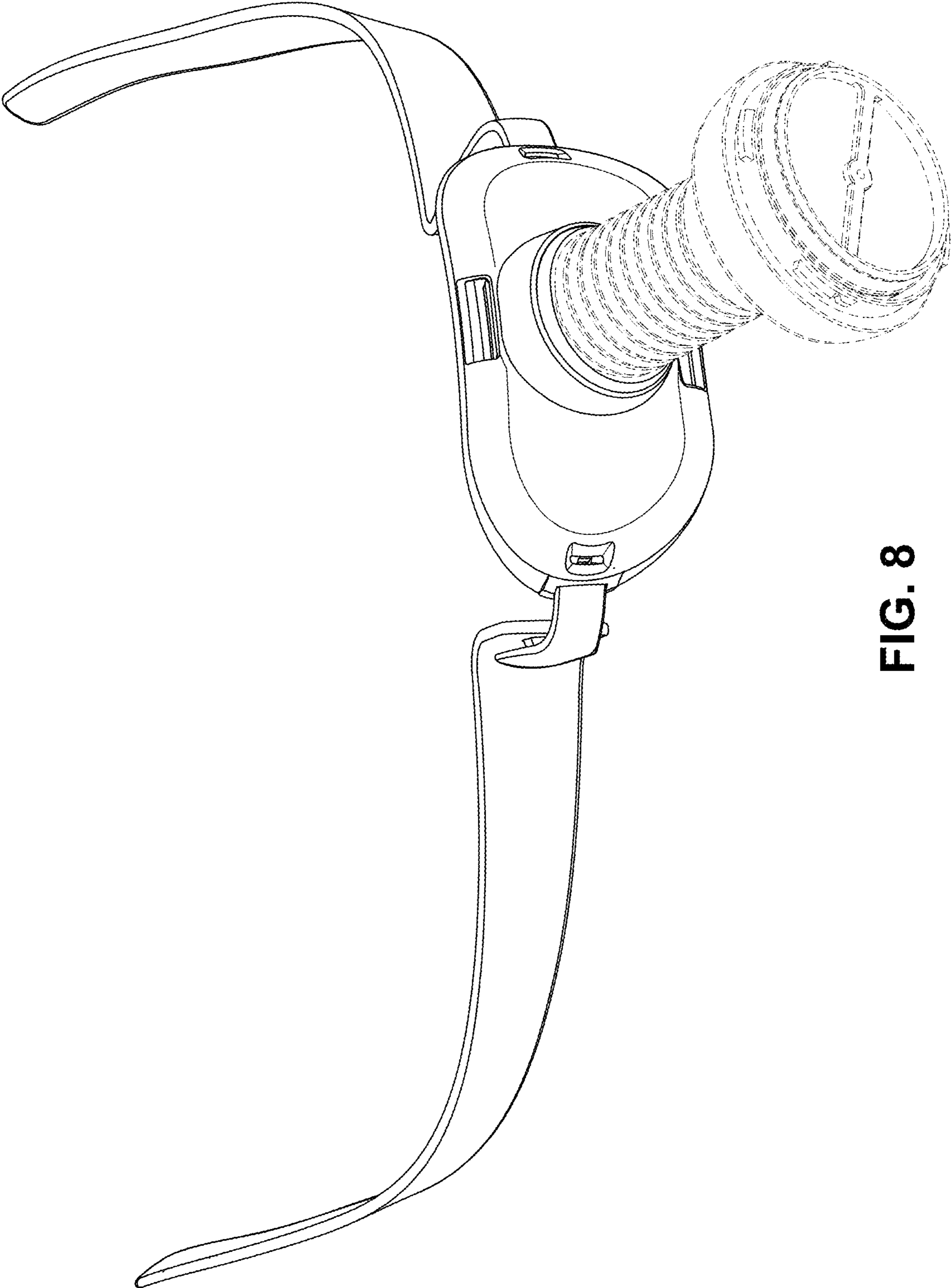


FIG. 8

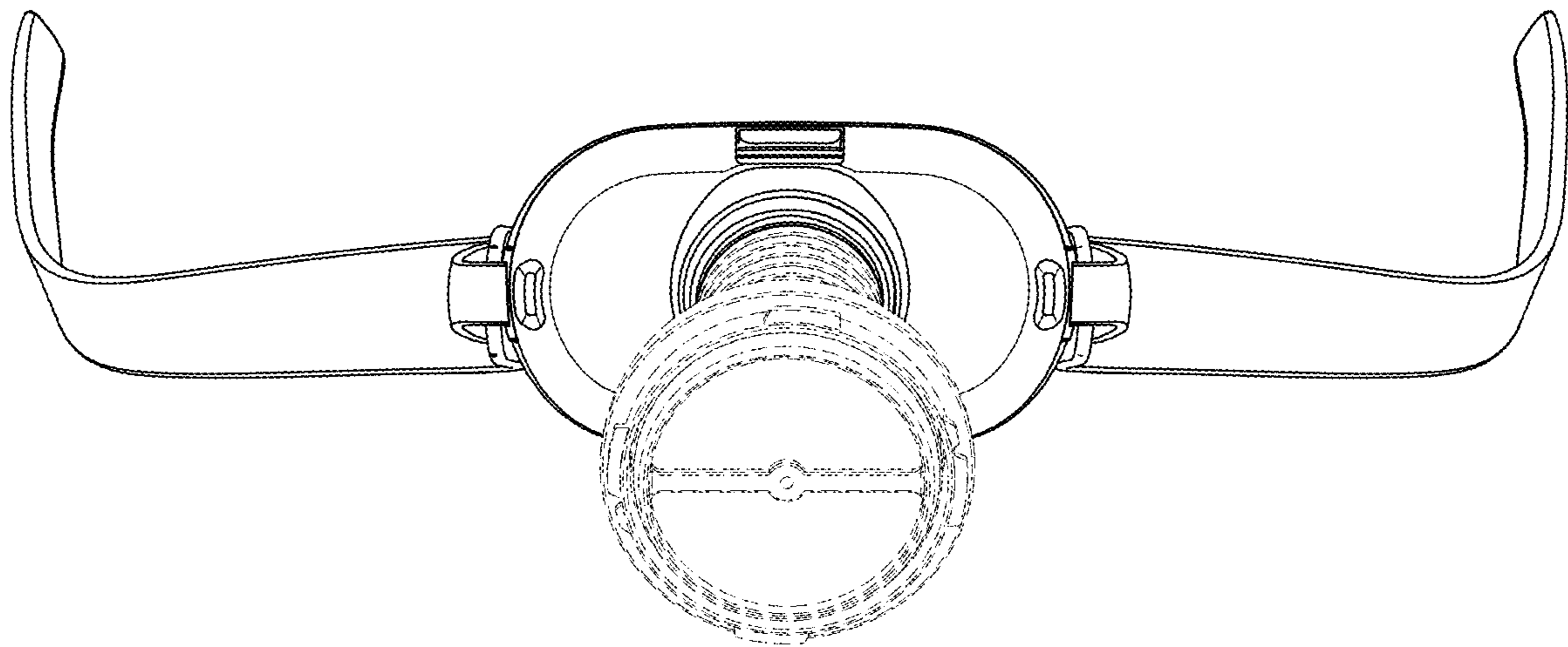


FIG. 9

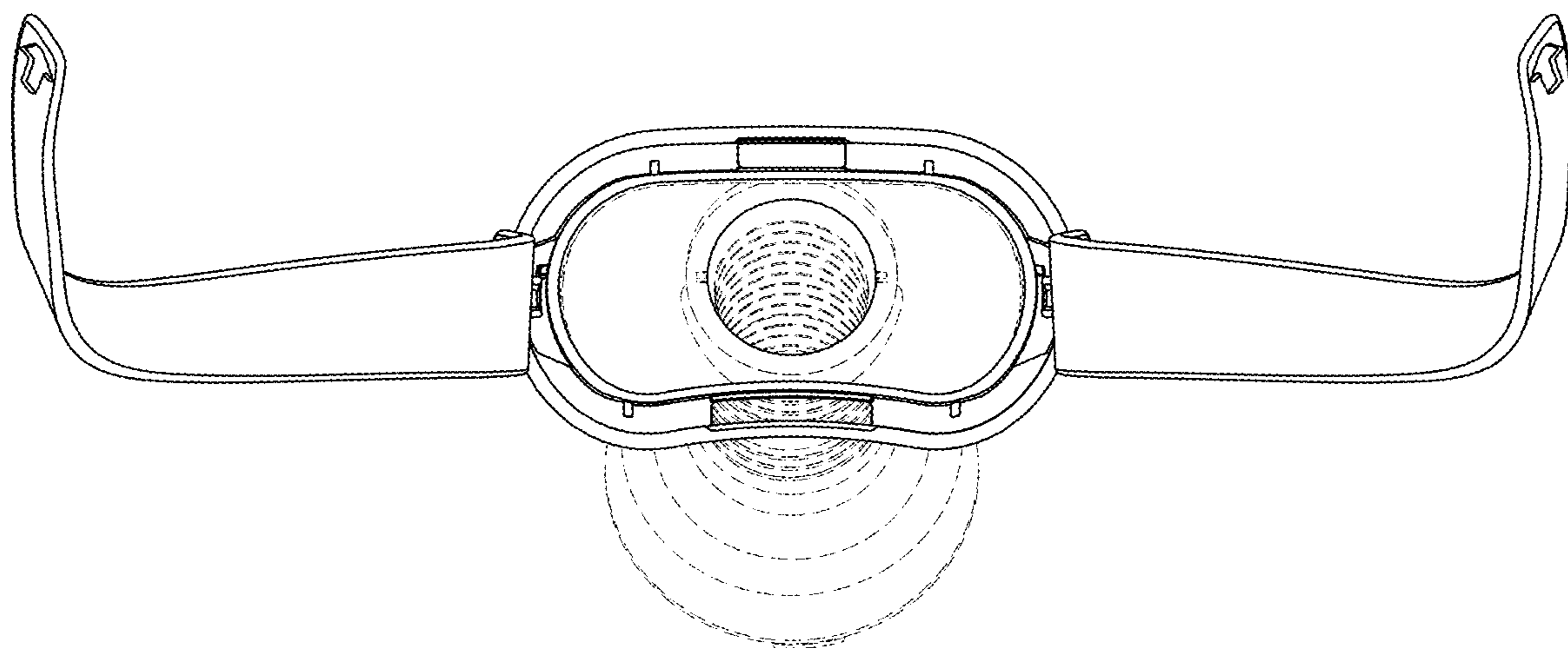


FIG. 10



FIG. 11

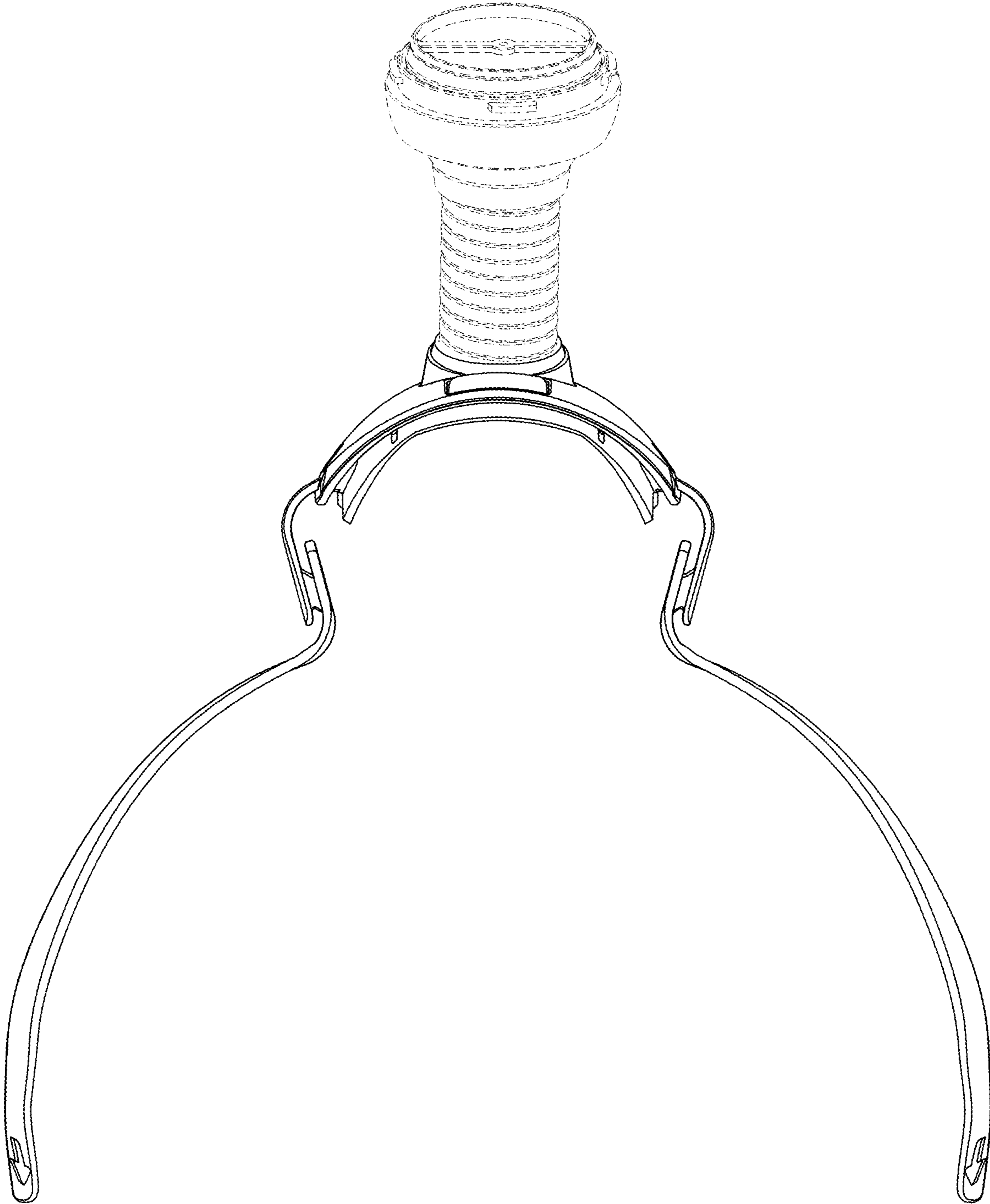


FIG. 12

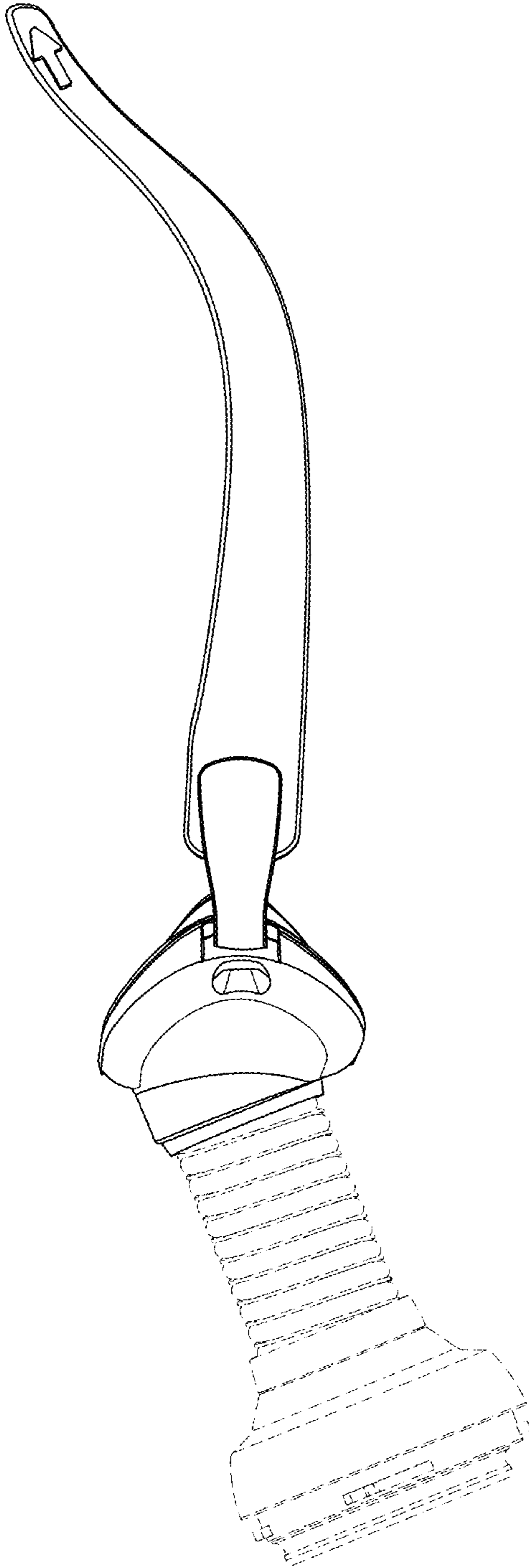


FIG. 13

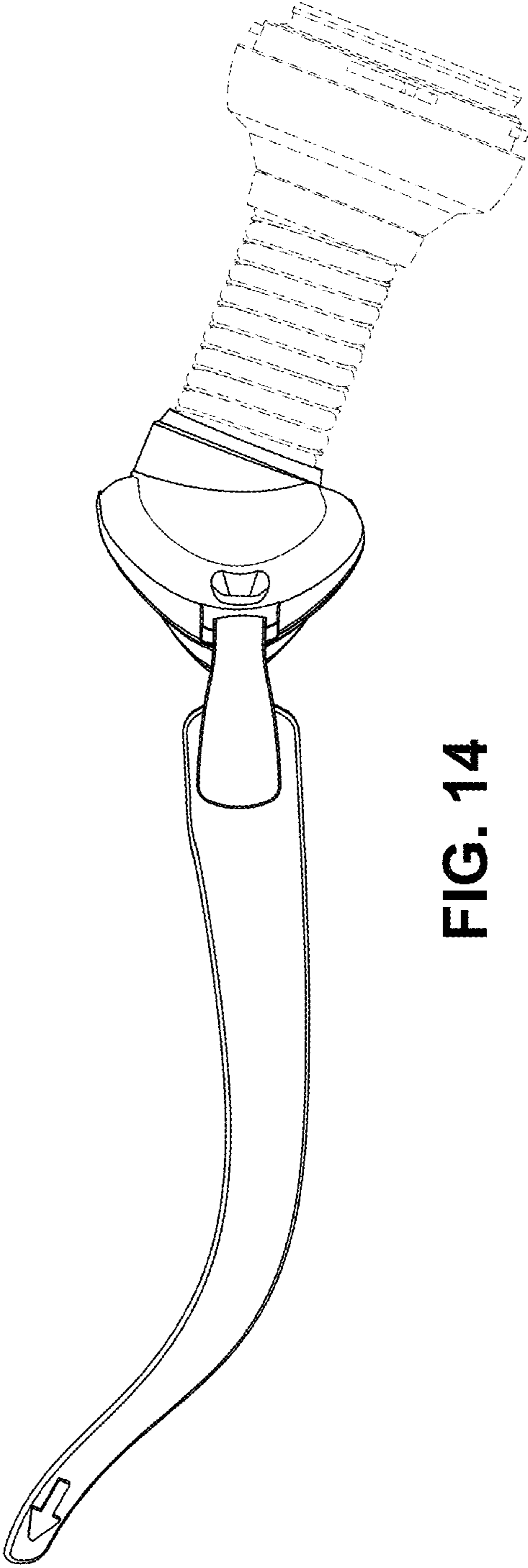


FIG. 14