



US00D930147S

(12) **United States Design Patent** (10) **Patent No.:** **US D930,147 S**  
**Allum et al.** (45) **Date of Patent:** **\*\* Sep. 7, 2021**

(54) **NASAL INTERFACE FOR VENTILATION**  
(71) Applicant: **INOGEN, INC.**, Goleta, CA (US)  
(72) Inventors: **Todd Allum**, Livermore, CA (US);  
**Gregory J. Kapust**, San Ramon, CA (US)  
(73) Assignee: **INOGEN, INC.**, Goleta, CA (US)  
(\*\*) Term: **15 Years**  
(21) Appl. No.: **29/725,327**  
(22) Filed: **Feb. 24, 2020**

9,027,553 B2 5/2015 Witt et al.  
D770,608 S \* 11/2016 Allum ..... D24/110.1  
D849,238 S \* 5/2019 Collazo ..... D24/110.1  
D849,929 S \* 5/2019 Collazo ..... D24/110.1  
D852,948 S \* 7/2019 Collazo ..... D24/110.1  
D859,639 S \* 9/2019 Collazo ..... D24/110.1  
D859,640 S \* 9/2019 Collazo ..... D24/110.1  
D859,641 S \* 9/2019 Collazo ..... D24/110.1  
D859,646 S \* 9/2019 Scampoli ..... D24/110  
D863,535 S \* 10/2019 Collazo ..... D24/110.1  
D863,536 S \* 10/2019 Collazo ..... D24/110.1  
D863,537 S \* 10/2019 Collazo ..... D24/110.1  
D863,538 S \* 10/2019 Collazo ..... D24/110.1  
D863,539 S \* 10/2019 Collazo ..... D24/110.1  
D863,540 S \* 10/2019 Collazo ..... D24/110.1

(Continued)

*Primary Examiner* — Aula Soroush  
(74) *Attorney, Agent, or Firm* — Artegis Law Group, LLP

**Related U.S. Application Data**

(63) Continuation of application No. 29/602,544, filed on May 1, 2017, now Pat. No. Des. 876,615.  
(51) **LOC (13) Cl.** ..... **29-02**  
(52) **U.S. Cl.**  
USPC ..... **D24/110**  
(58) **Field of Classification Search**  
USPC ..... D24/110-110.6, 127, 129; D29/110  
CPC ..... A61M 16/0616; A61M 16/0633; A61M 16/06; A61M 16/0666; A61M 16/0683; A61M 16/0605; A61M 16/0622; A61M 16/0644; A61M 16/0875; A61M 16/0816; A61M 16/08; B63C 11/205; B63C 11/16; B63C 11/186; B63C 11/12  
See application file for complete search history.

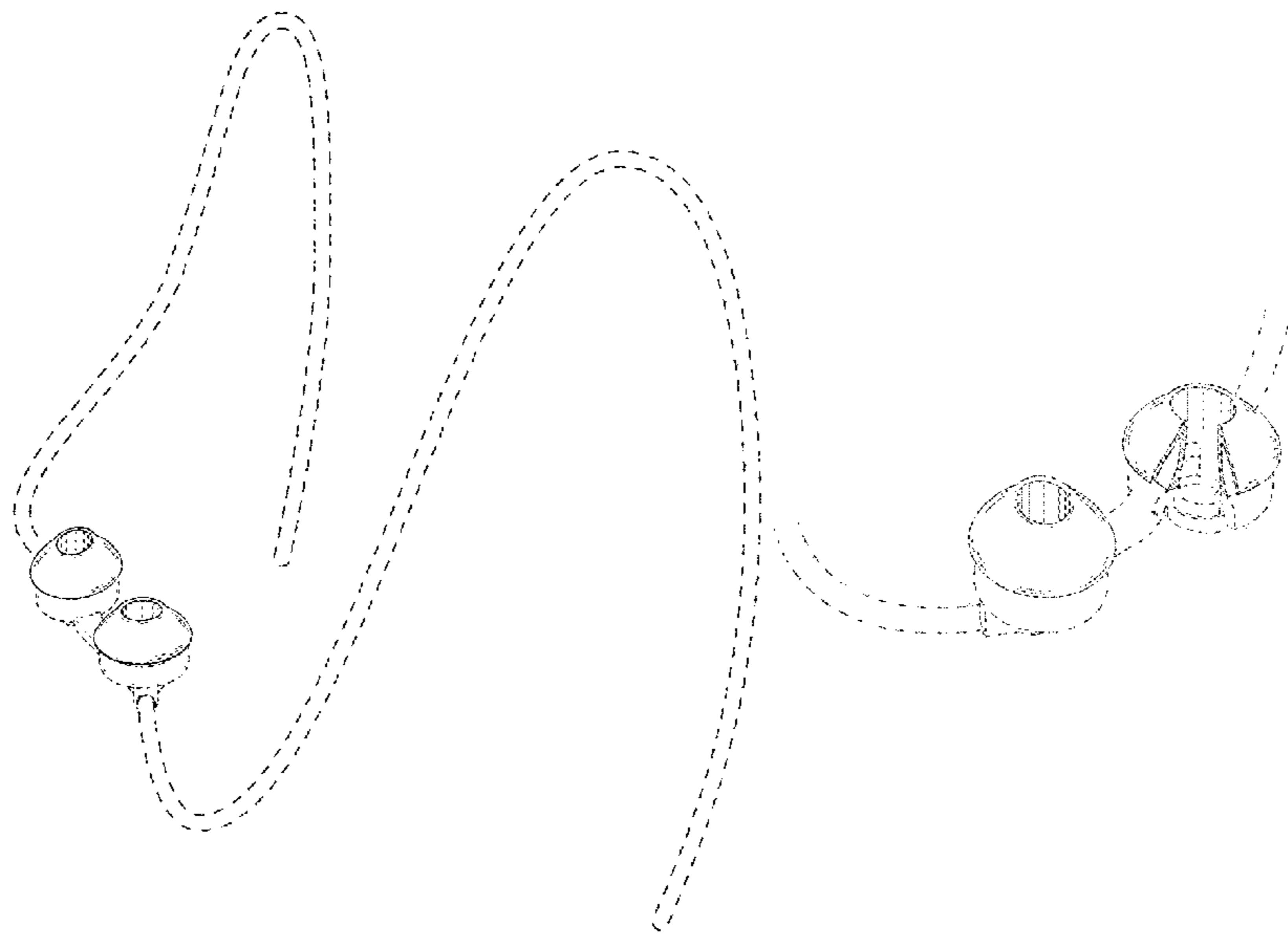
(57) **CLAIM**  
The ornamental design for a nasal interface for ventilation, as shown and described.

**DESCRIPTION**

FIG. 1 is a top perspective view of a nasal interface for ventilation, showing our new design;  
FIG. 2 is a front elevational view thereof;  
FIG. 3 is a rear elevational view thereof;  
FIG. 4 is a left side elevational view thereof, the right side being a mirror image;  
FIG. 5 is a top plan view thereof;  
FIG. 6 is a bottom plan view thereof;  
FIG. 7 is an enlarged top perspective view thereof;  
FIG. 8 is a left side view thereof as would be positioned in a nostril, the right side being a mirror image; and  
FIG. 9 is an enlarged top perspective view thereof; and,  
FIG. 10 is an enlarged cross-sectional view taken in the direction of lines 10-10 of FIG. 9.  
The broken lines in the figures form no part of the claimed design.

(56) **References Cited**  
U.S. PATENT DOCUMENTS  
D589,139 S 3/2009 Guney et al.  
D595,848 S 7/2009 Dolezal et al.  
D627,059 S 11/2010 Wood et al.  
D634,838 S 3/2011 Dolezal  
D645,557 S 9/2011 Scheiner et al.  
D662,200 S 6/2012 Eghbal et al.

**1 Claim, 10 Drawing Sheets**



(56)

**References Cited**

U.S. PATENT DOCUMENTS

D863,541	S	*	10/2019	Collazo	.....	D24/110.1
D863,542	S	*	10/2019	Collazo	.....	D24/110.1
D864,377	S	*	10/2019	Collazo	.....	D24/110.1
D868,237	S	*	11/2019	Collazo	.....	D24/110.1
D868,238	S	*	11/2019	Collazo	.....	D24/110.1
D868,239	S	*	11/2019	Collazo	.....	D24/110.1
D868,240	S	*	11/2019	Collazo	.....	D24/110.1
D876,615	S	*	2/2020	Allum	.....	D24/110.1
D878,545	S	*	3/2020	Scheiner	.....	D24/110
D879,945	S	*	3/2020	Gunaratnam	.....	D24/110.1
D879,947	S	*	3/2020	Collazo	.....	D24/110.1
D880,687	S	*	4/2020	Collazo	.....	D24/110.1
2006/0266361	A1		11/2006	Hernandez		
2011/0259340	A1		10/2011	Witt et al.		
2015/0250973	A1		9/2015	Allum et al.		
2017/0246413	A1		8/2017	Peets		

\* cited by examiner

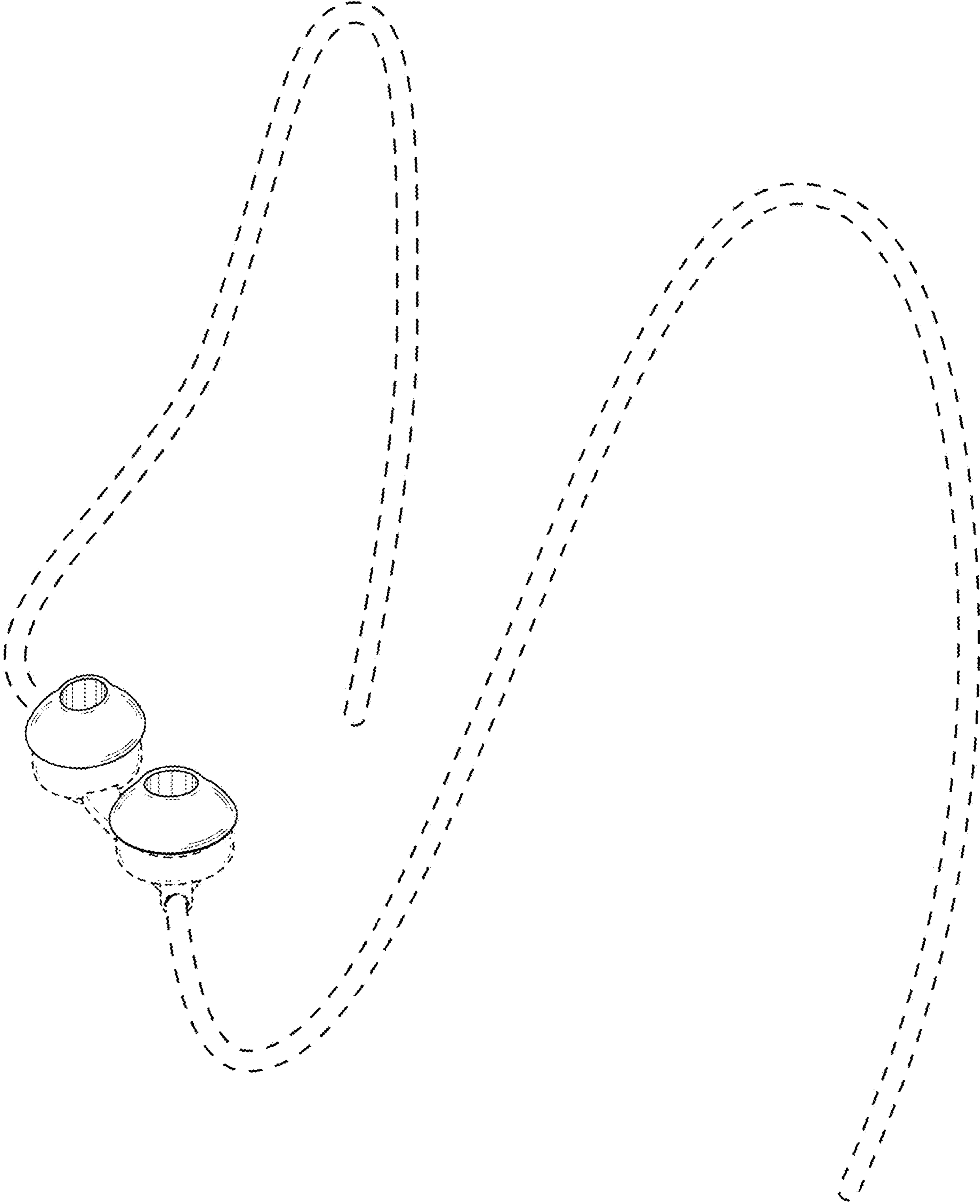


FIG. 1

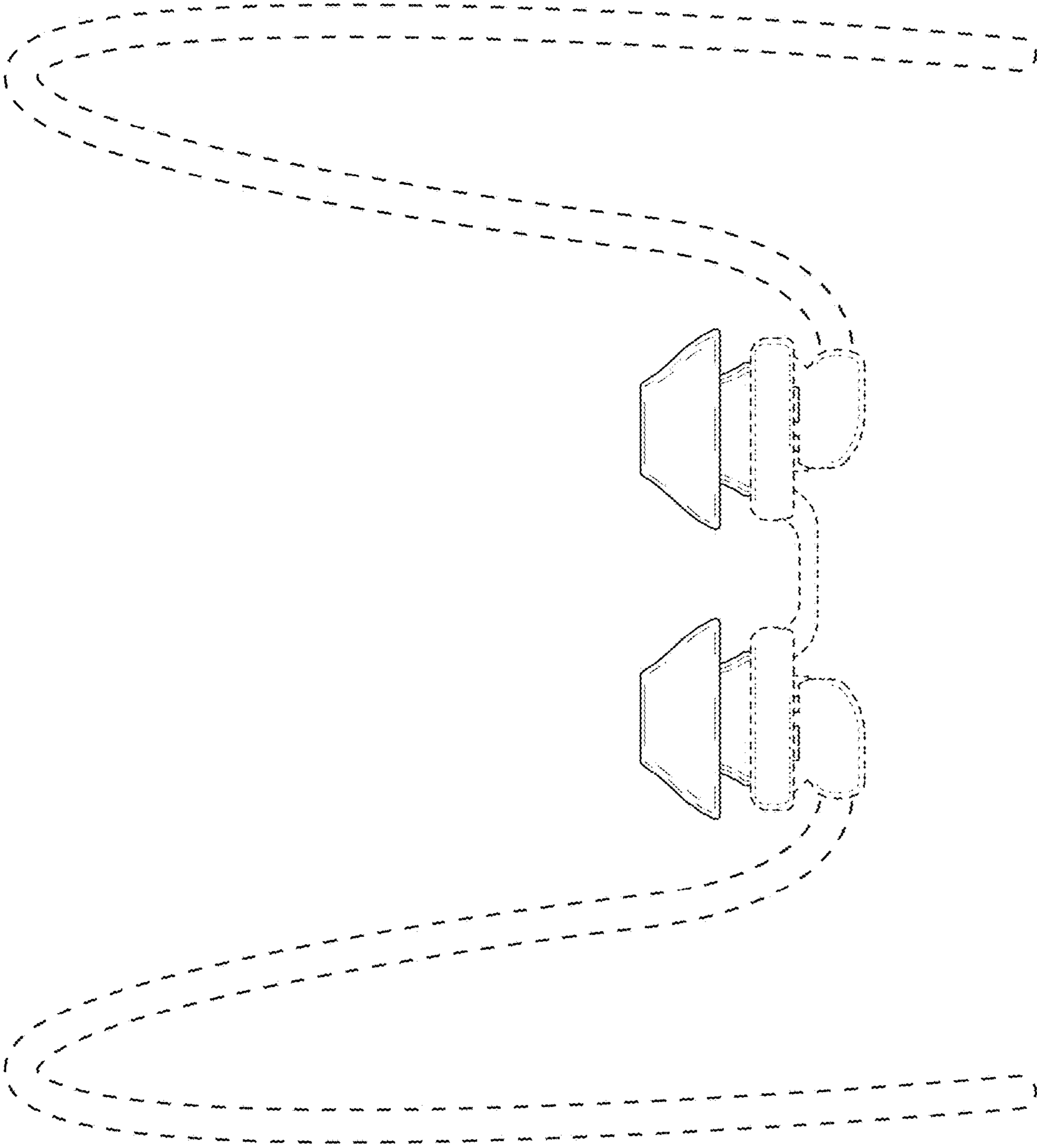


FIG. 2

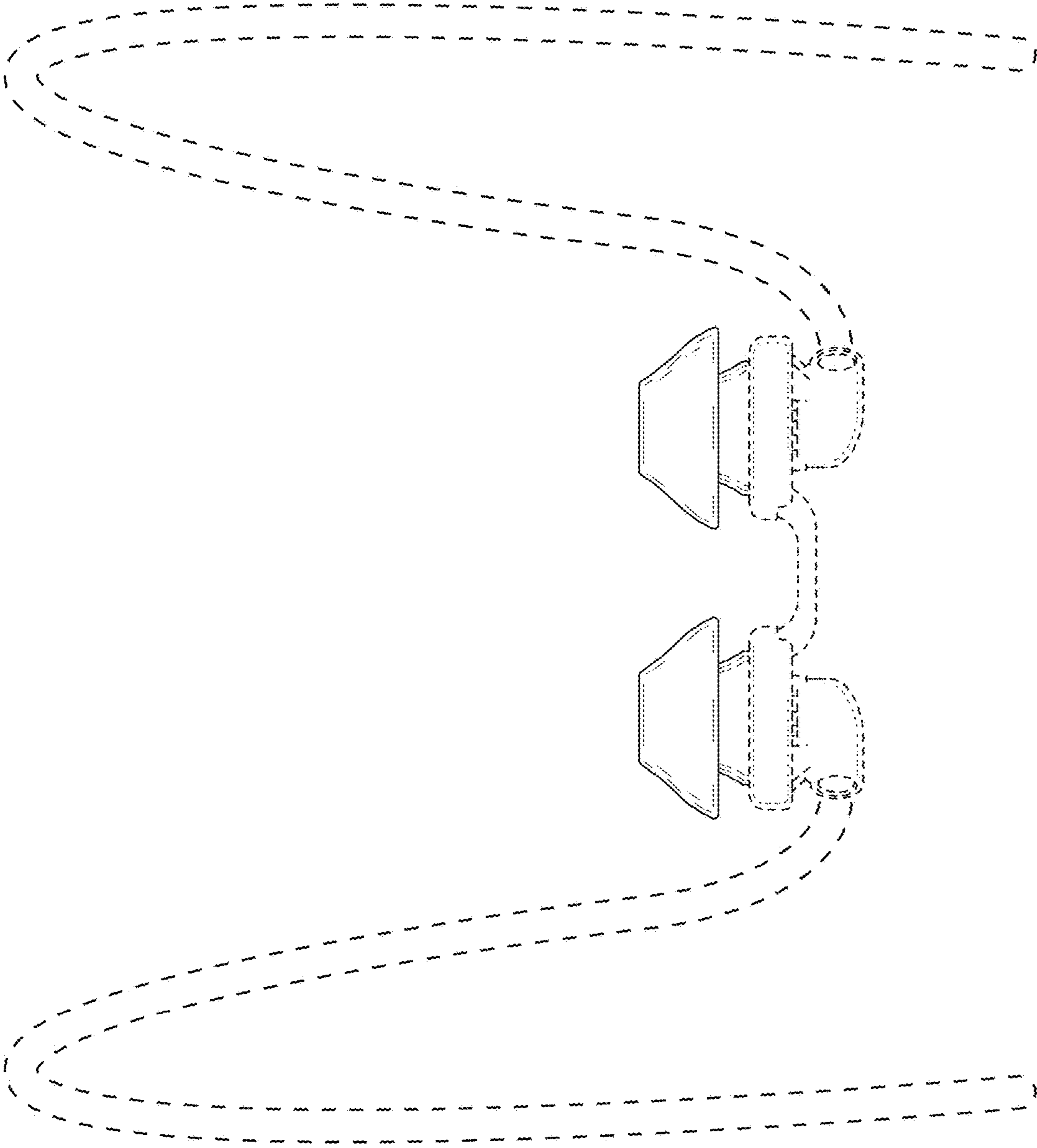


FIG. 3

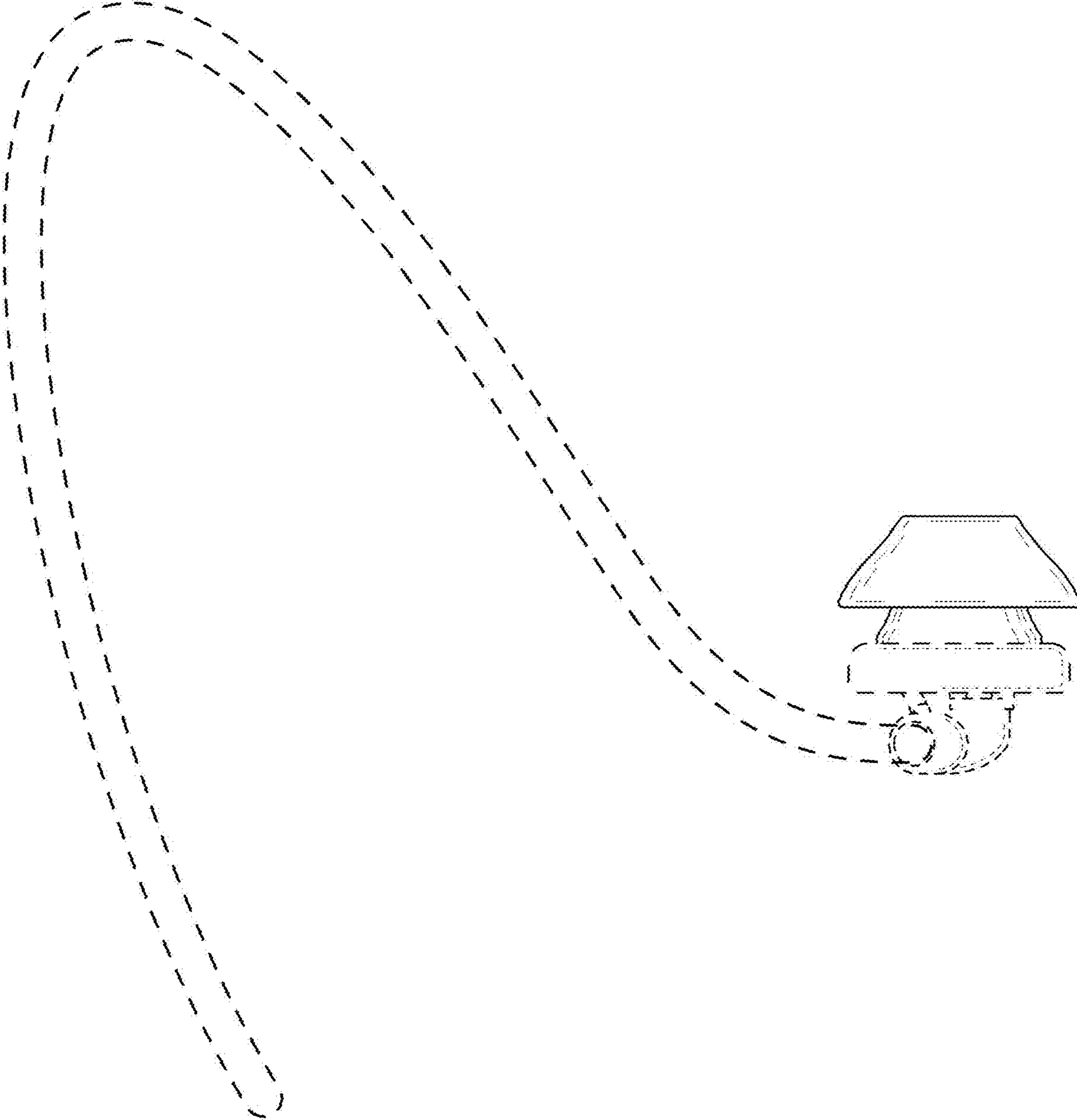


FIG. 4

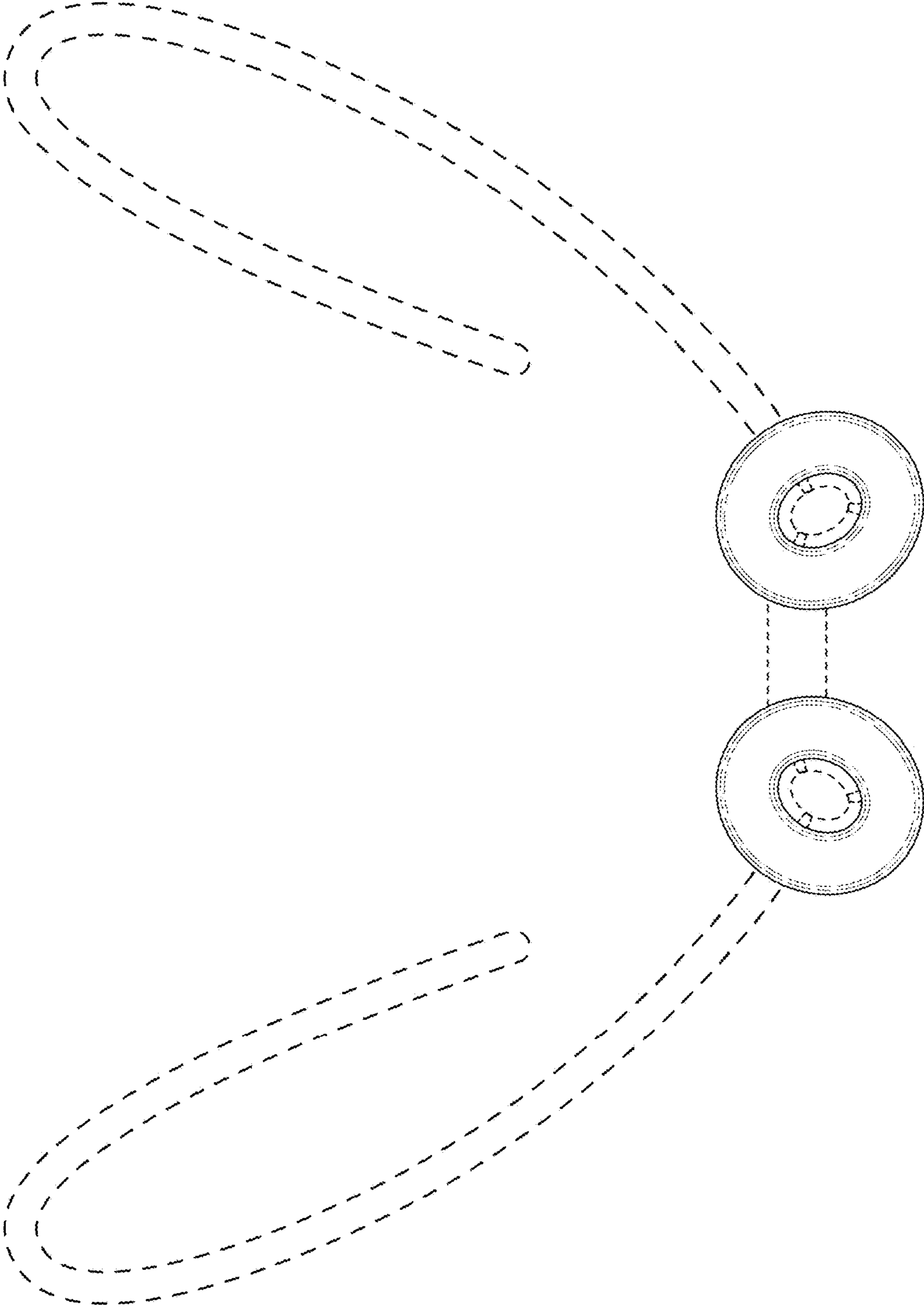


FIG. 5

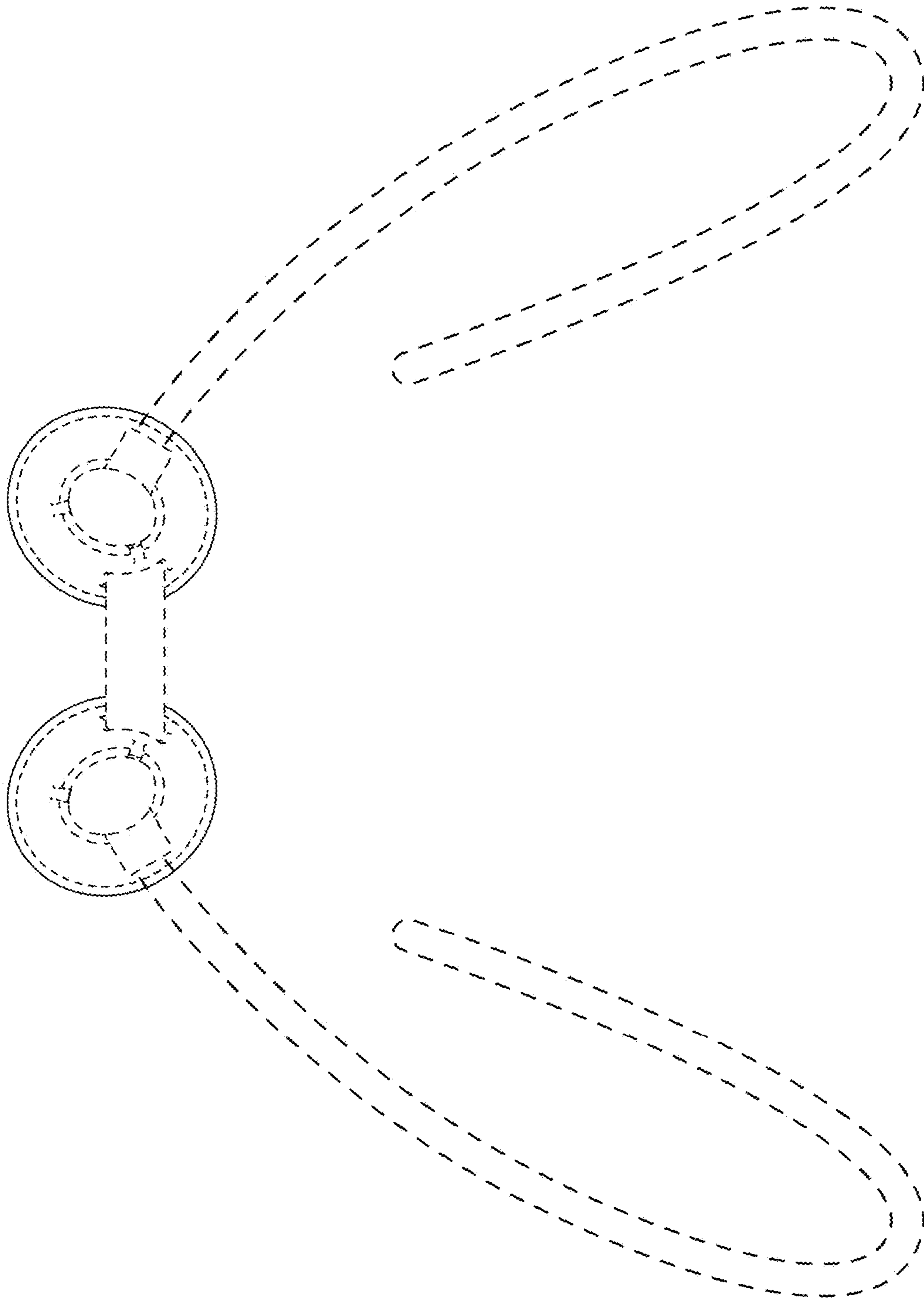


FIG. 6



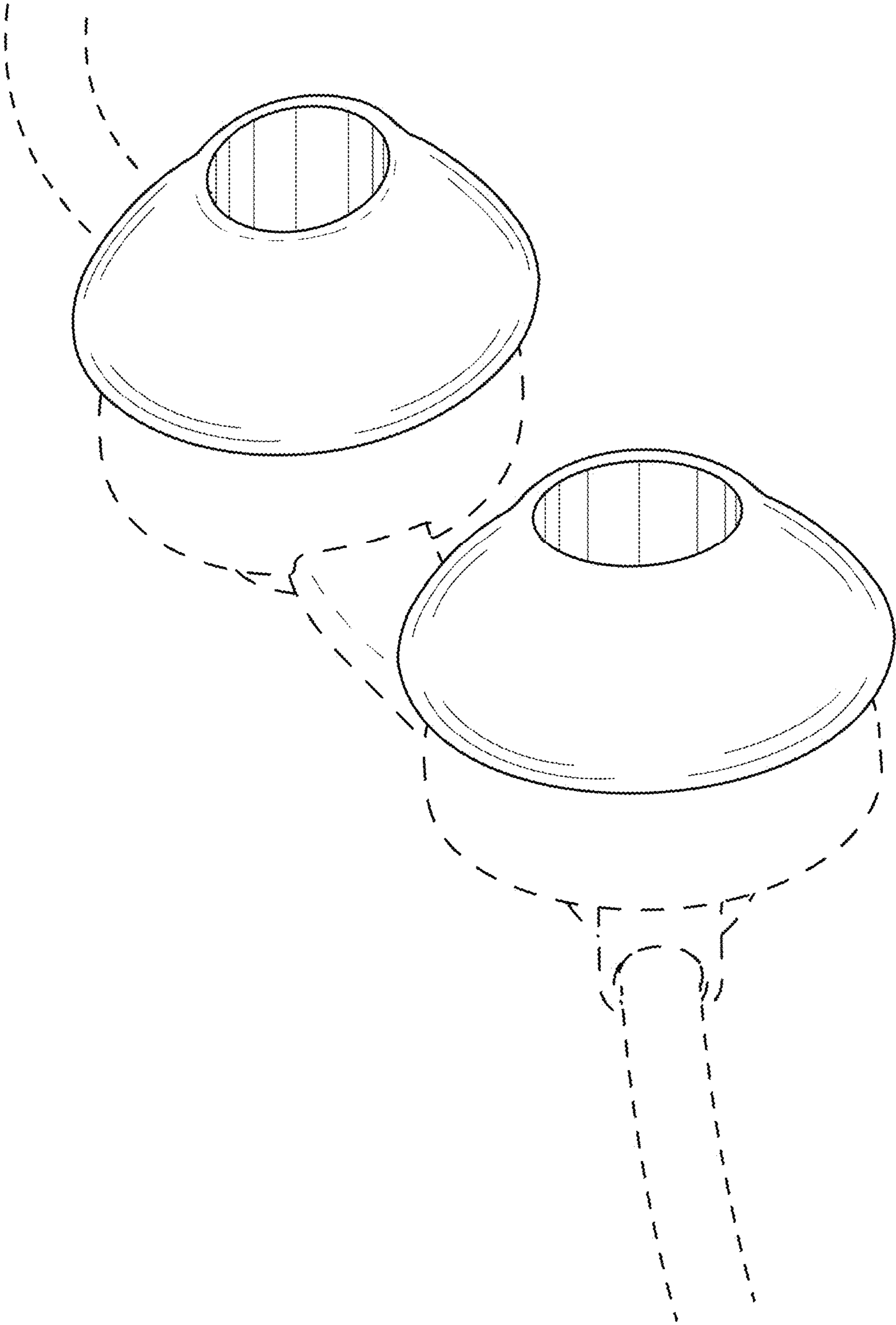


FIG. 7

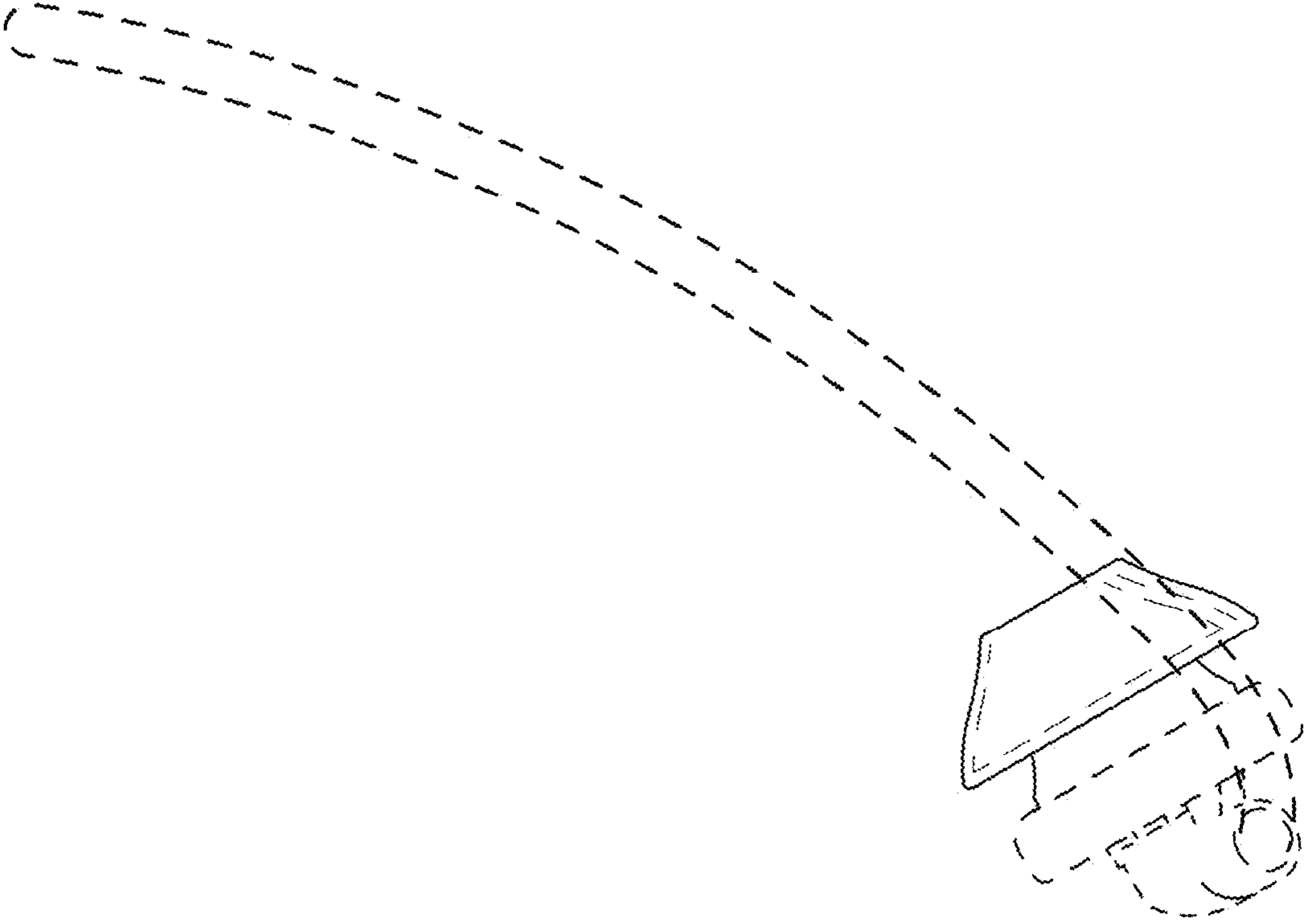


FIG. 8

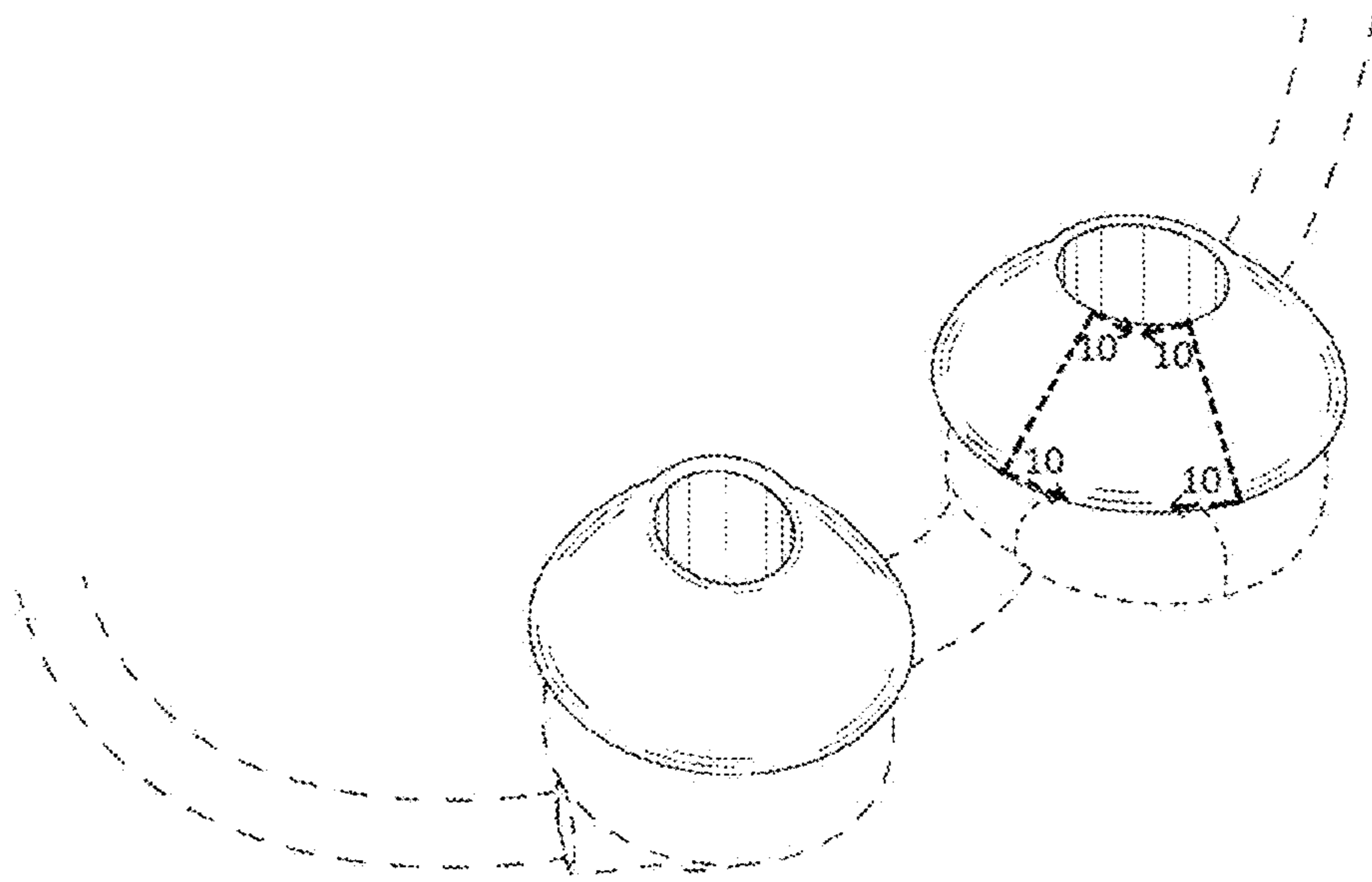


FIG. 9

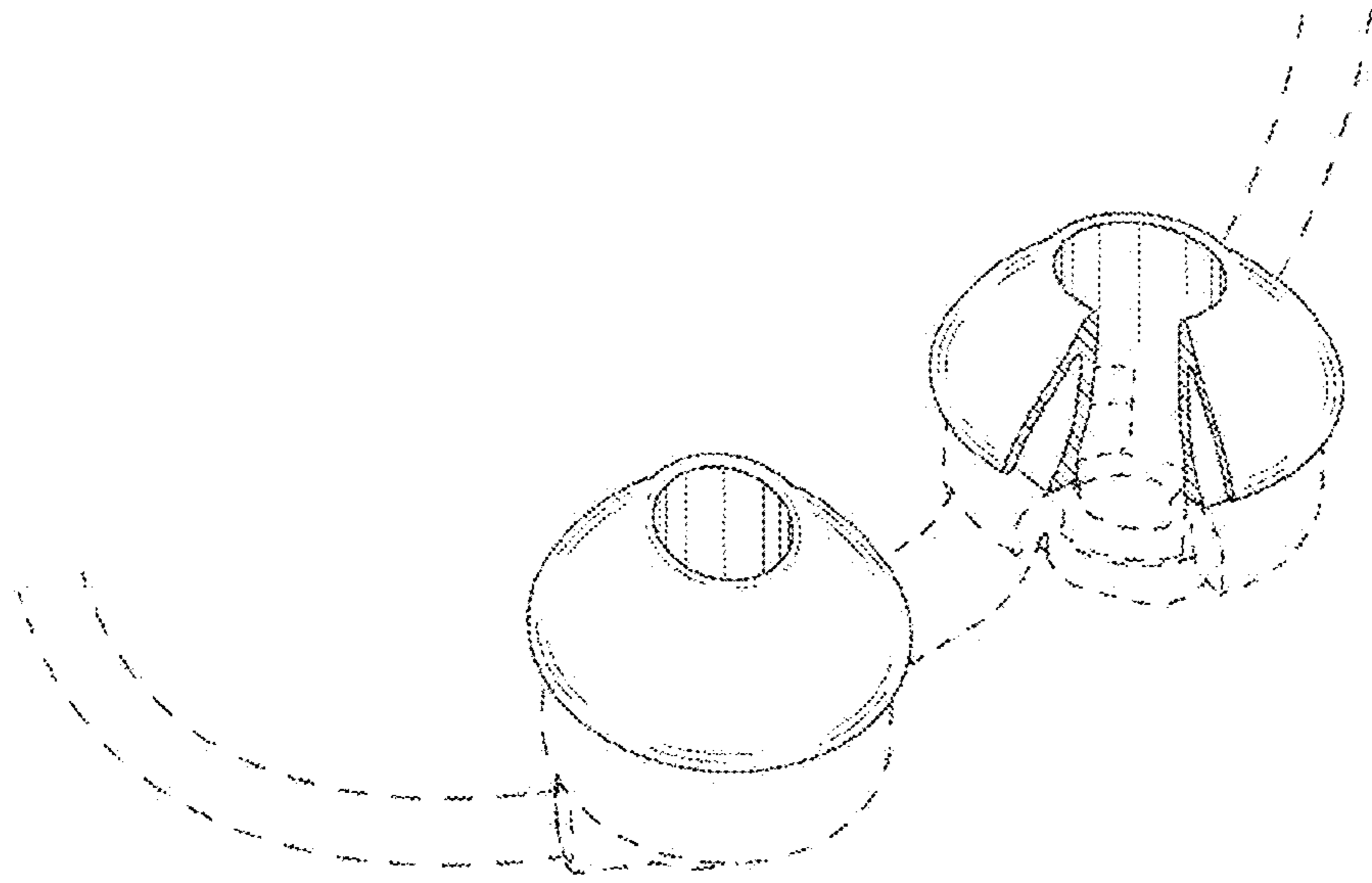


FIG. 10