

US00D930145S

(12) **United States Design Patent** (10) **Patent No.:** **US D930,145 S**
Fujino et al. (45) **Date of Patent:** **** Sep. 7, 2021**

(54) **INHALER**

(71) Applicant: **OMRON HEALTHCARE Co., Ltd.**,
Muko (JP)

(72) Inventors: **Minoru Fujino**, Muko (JP); **Tsuyoshi Ogihara**, Muko (JP); **Shusuke Eshita**, Muko (JP); **Masahiko Yumoto**, Muko (JP); **Tadashi Koike**, Muko (JP); **Yukiko Mitsunami**, Muko (JP); **Sunao Ouchida**, Osaka (JP); **Yoshiaki Iida**, Moriguchi (JP)

(73) Assignee: **OMRON HEALTHCARE Co., Ltd.**,
Kyoto (JP)

(**) Term: **15 Years**

(21) Appl. No.: **29/681,427**

(22) Filed: **Feb. 26, 2019**

Related U.S. Application Data

(62) Division of application No. 29/608,797, filed on Jun. 26, 2017, now Pat. No. Des. 848,603.

(30) **Foreign Application Priority Data**

Dec. 28, 2016 (JP) 2016-028541
Dec. 28, 2016 (JP) 2016-028542

(51) **LOC (13) Cl.** **29-02**

(52) **U.S. Cl.**
USPC **D24/110**

(58) **Field of Classification Search**
USPC D24/107, 108, 110, 110.1-110.5, 127,
D24/164; D29/108

(Continued)

(56) **References Cited**

U.S. PATENT DOCUMENTS

D424,236 S 5/2000 Reed
D441,071 S 4/2001 Attolini
(Continued)

Primary Examiner — Aula Soroush

(74) *Attorney, Agent, or Firm* — Capitol City TechLaw

(57) **CLAIM**

The ornamental design for an inhaler, as shown and described.

DESCRIPTION

FIG. 1 is a front, top, and right side perspective view of an inhaler showing our new design in which a nozzle cap is installed;

FIG. 2 is a rear, top, and left side perspective view thereof;

FIG. 3 is a front view thereof;

FIG. 4 is a rear view thereof;

FIG. 5 is a top view thereof;

FIG. 6 is a bottom view thereof;

FIG. 7 is a right side view thereof;

FIG. 8 is a left side view thereof;

FIG. 9 is a front, top, and right side perspective view showing an alternate configuration of the inhaler in which the nozzle cap is removed;

FIG. 10 is a rear, top, and left side perspective view thereof;

FIG. 11 is a front view thereof;

FIG. 12 is a rear view thereof;

FIG. 13 is a top view thereof;

FIG. 14 is a bottom view thereof;

FIG. 15 is a right side view thereof;

FIG. 16 is a left side view thereof;

FIG. 17 is a front, top, and right side perspective view showing an alternate configuration of the inhaler in which the nozzle cap is removed and a cover is opened;

FIG. 18 is a rear, top, and left side perspective view thereof;

FIG. 19 is a front view thereof;

FIG. 20 is a rear view thereof;

FIG. 21 is a top view thereof;

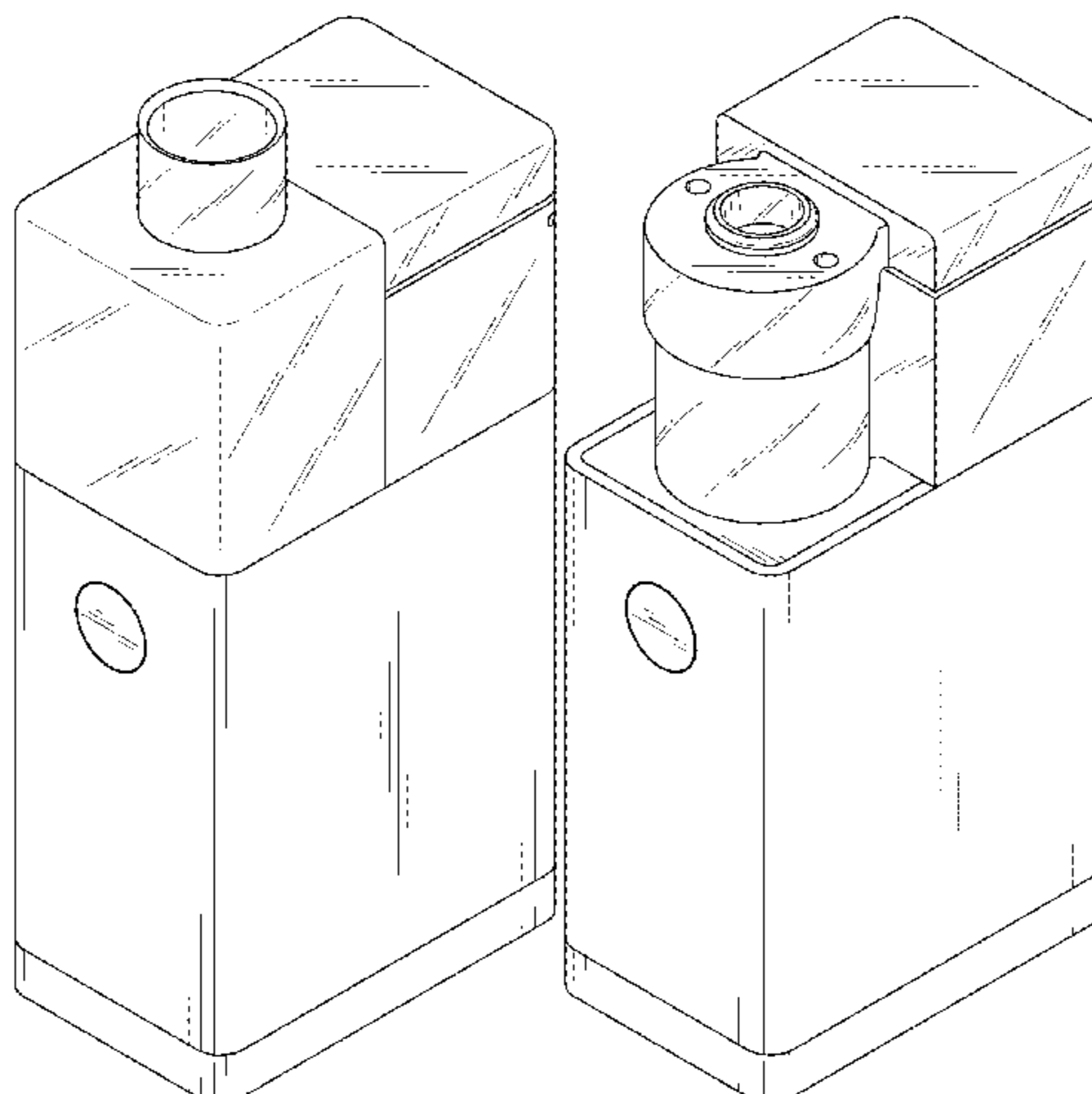
FIG. 22 is a bottom view thereof;

FIG. 23 is a right side view thereof;

FIG. 24 is a left side view thereof;

FIG. 25 is a front, top, and right side perspective view showing the nozzle cap of the inhaler; and,
FIG. 26 is a rear, bottom, and left side perspective view thereof.

(Continued)



The broken lines in the figures illustrate portions of the inhaler that form no part of the claimed design.

1 Claim, 26 Drawing Sheets

(58) Field of Classification Search

CPC A61M 15/0085; A61M 15/0005; A61M 11/005; A61M 11/00; A61M 11/02; A61M 11/04; A61M 5/087; A61M 5/0871; A61M 5/091; A61M 5/097; A61M 15/00; A61M 15/0065; A61M 15/0091; A61M 15/0021; A61M 15/0026; A61M 15/008; A61M 15/007; A63B 23/18

See application file for complete search history.

(56) References Cited

U.S. PATENT DOCUMENTS

D512,777 S 12/2005 Beisner et al.
 D549,341 S 8/2007 Ross et al.

D549,342 S	8/2007	Ross et al.	
D558,330 S	12/2007	Chang	
D613,395 S	4/2010	Nakao et al.	
D613,396 S	4/2010	Nakao et al.	
D656,606 S	3/2012	Palmer-Felgate et al.	
D729,444 S	5/2015	Leidel	
D748,802 S	2/2016	Koester	
D753,336 S	4/2016	Chen	
D758,656 S	6/2016	Freshwater et al.	
D761,999 S	7/2016	Liu	
D771,867 S *	11/2016	Leidel	D27/163
D773,114 S *	11/2016	Leidel	D27/163
D775,762 S	1/2017	Chen	
D777,315 S *	1/2017	Christman	A61B 5/097 D24/110
D788,362 S *	5/2017	Qiu	D27/101
D788,363 S *	5/2017	Chen	D27/163
D788,364 S *	5/2017	Chen	D27/163
D799,746 S *	10/2017	Leidel	D27/163
D800,377 S *	10/2017	Liu	D27/101
D802,834 S *	11/2017	Mathias	D27/163
D809,191 S *	1/2018	Li	D27/101
D828,622 S *	9/2018	Chen	D27/162
D871,666 S *	12/2019	Qiu	D27/163
2001/0037807 A1	11/2001	Kong	

* cited by examiner

FIG. 1

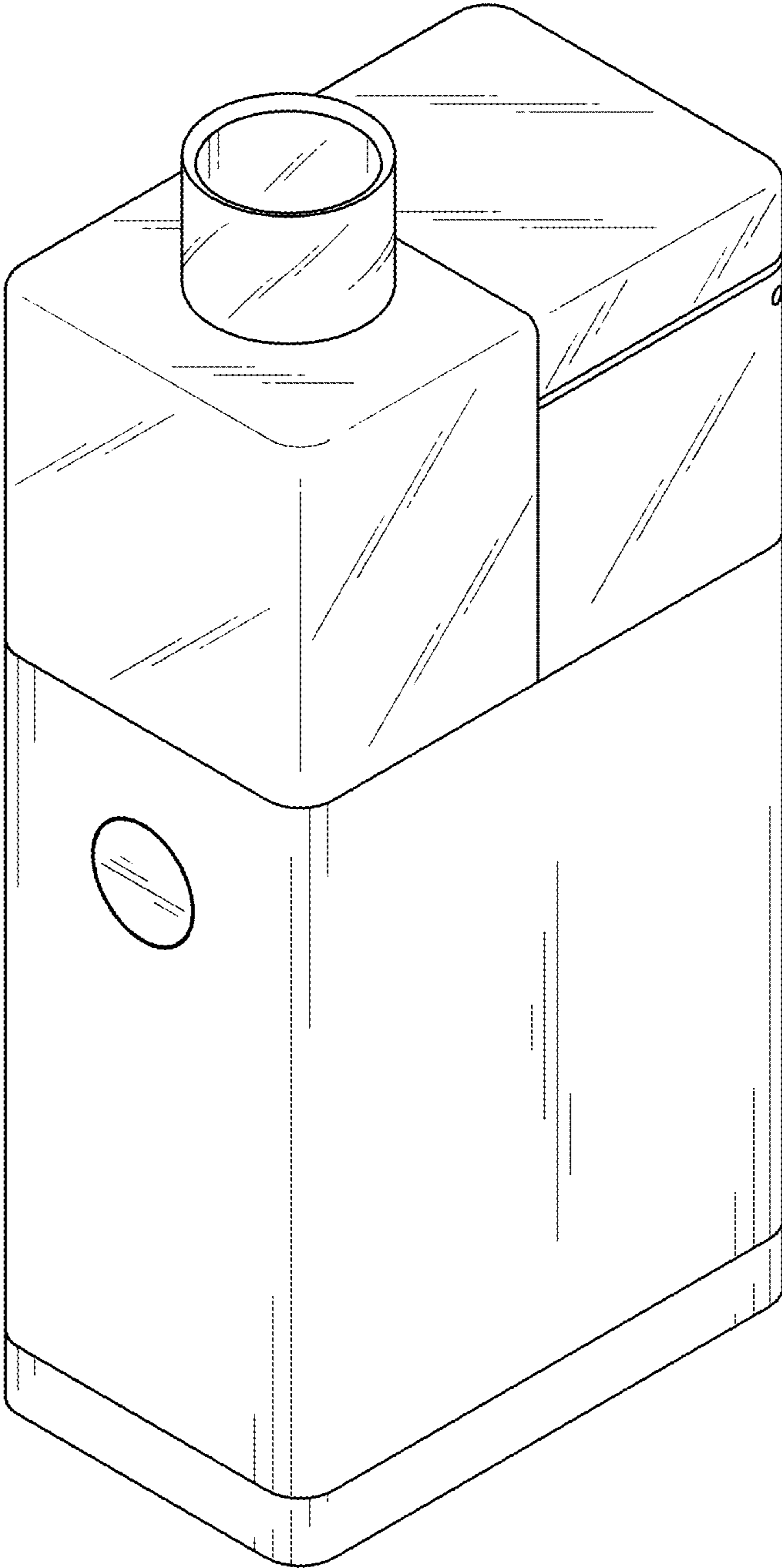


FIG. 2

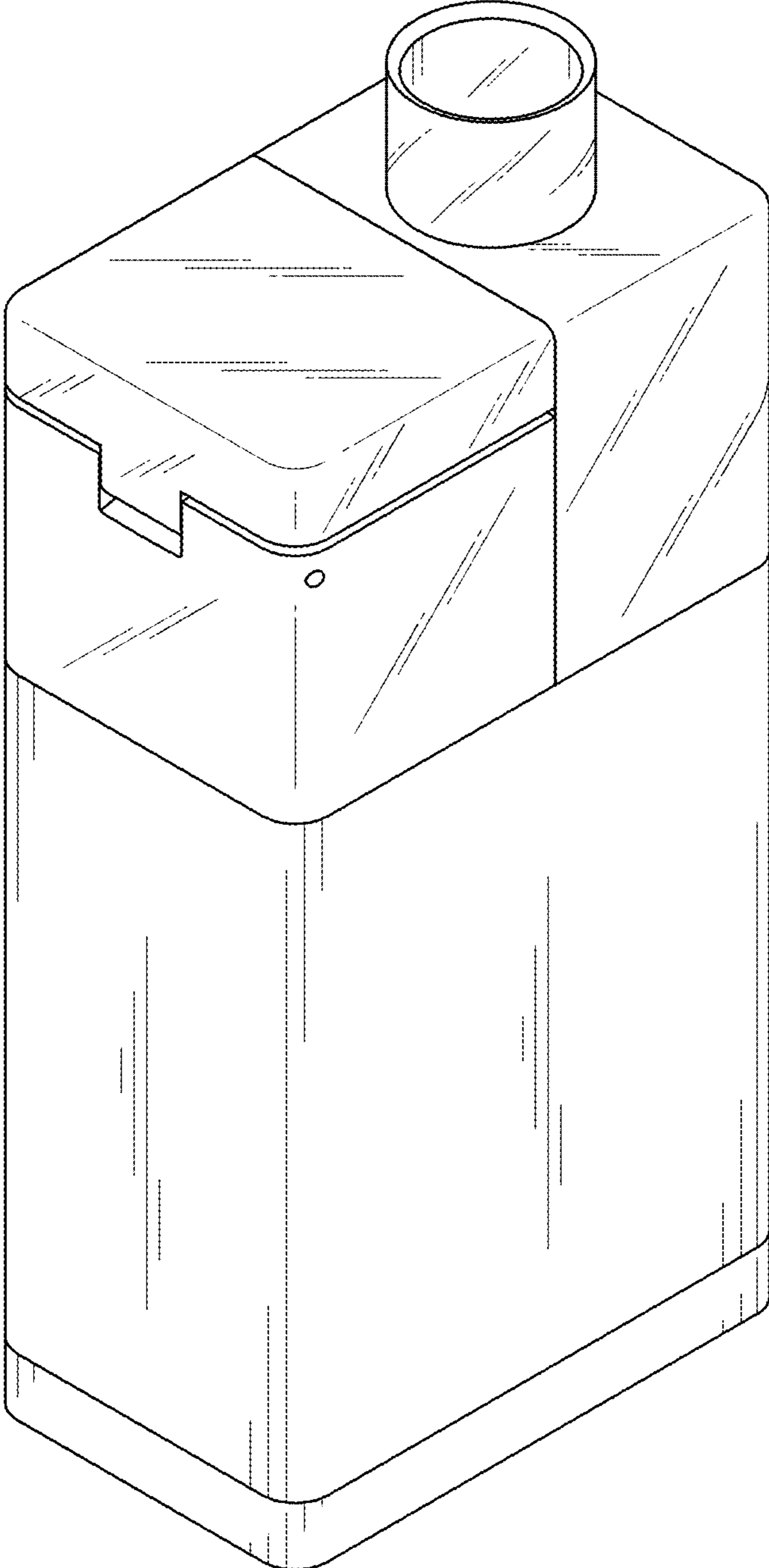


FIG. 3

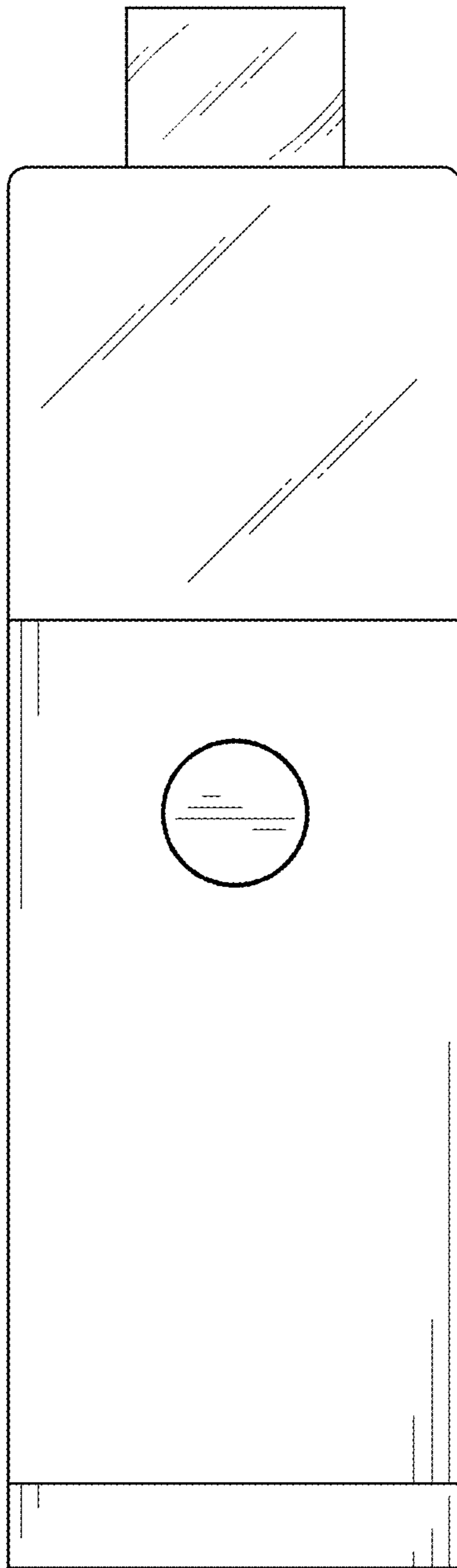


FIG. 4

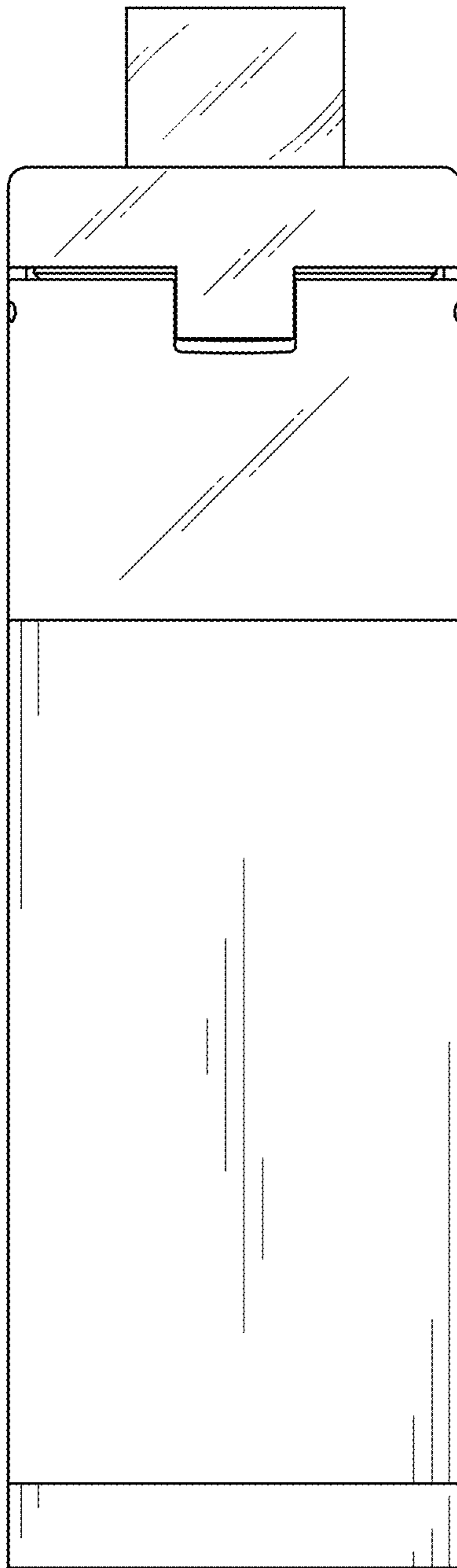


FIG. 5

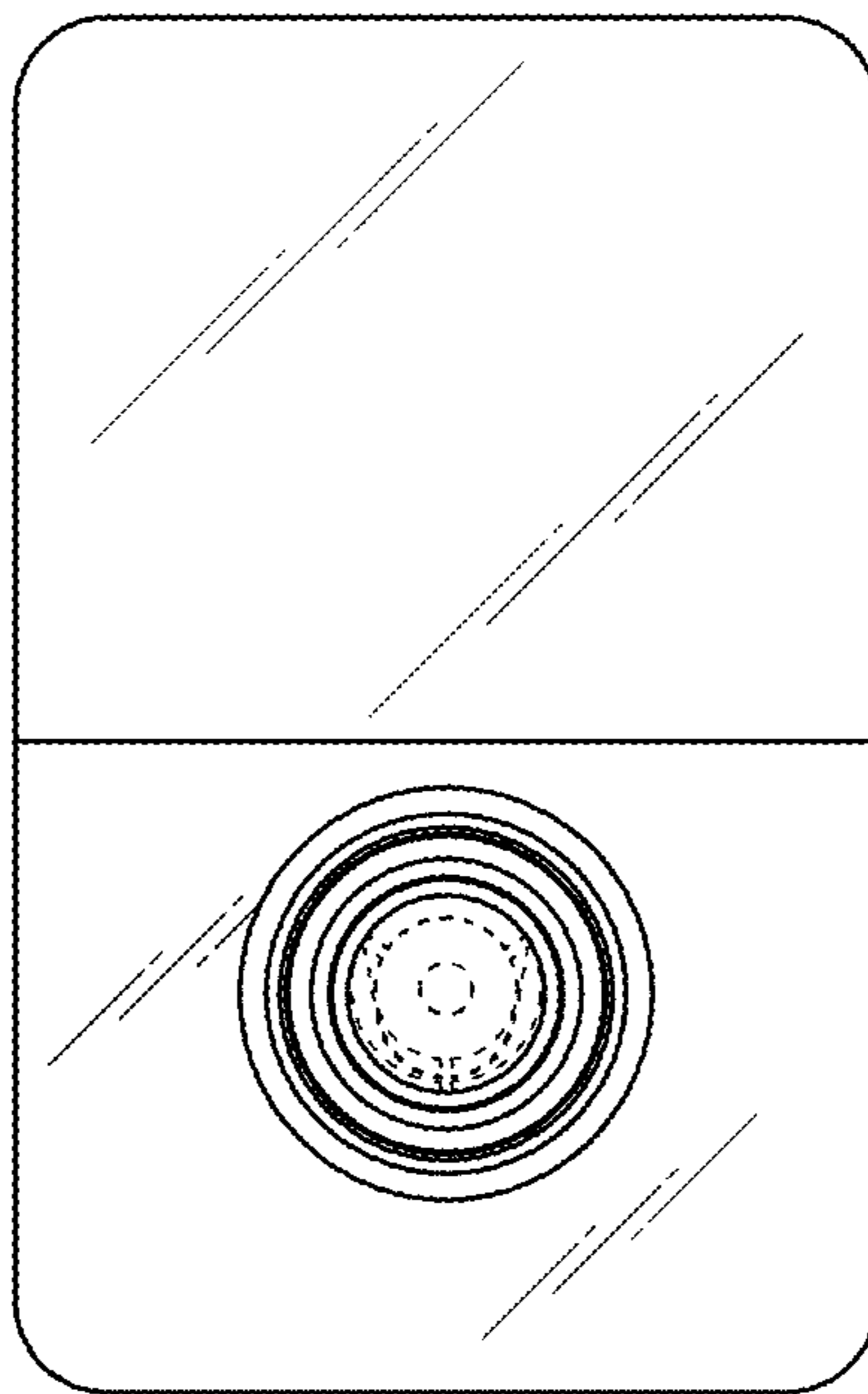


FIG. 6

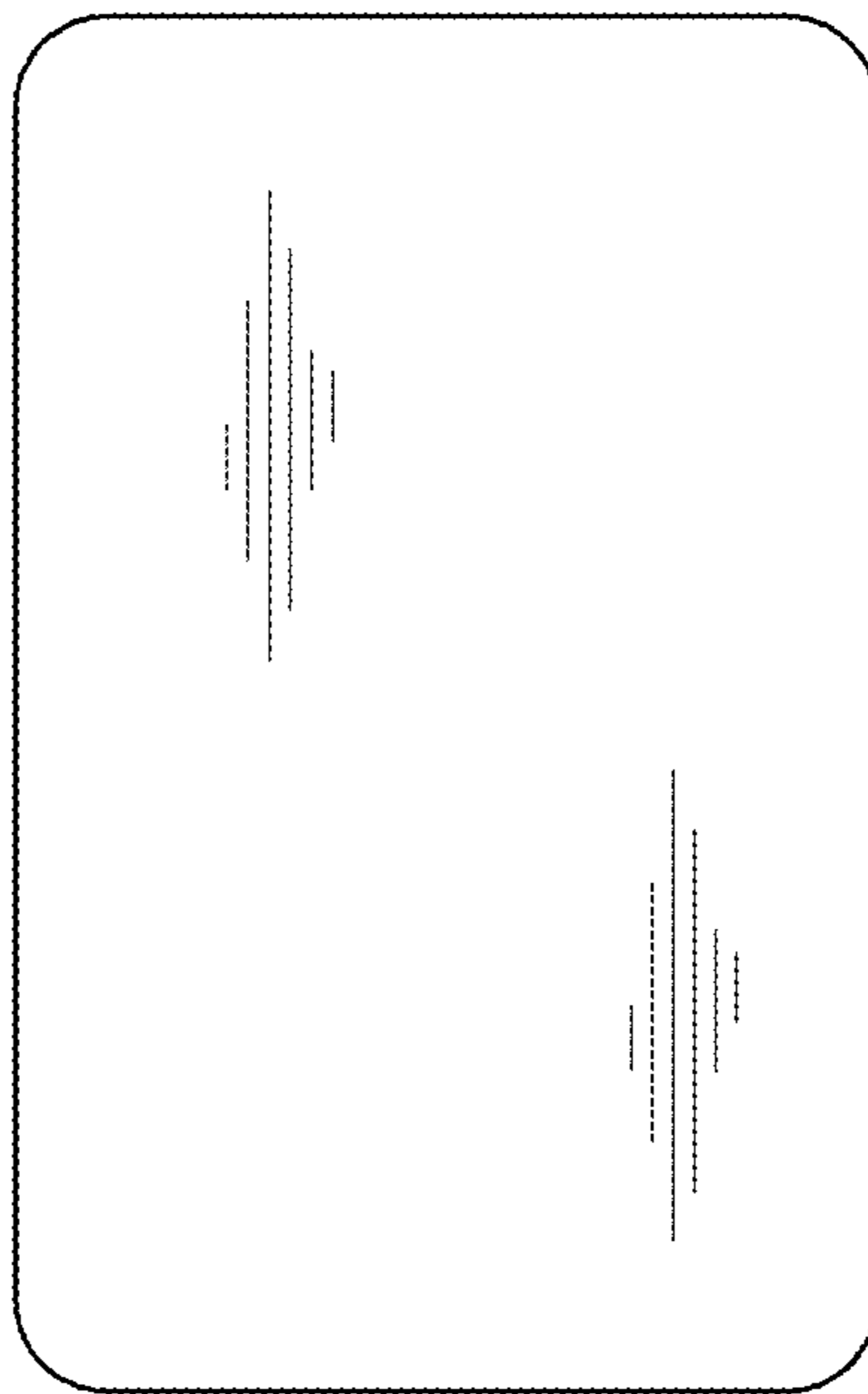


FIG. 7

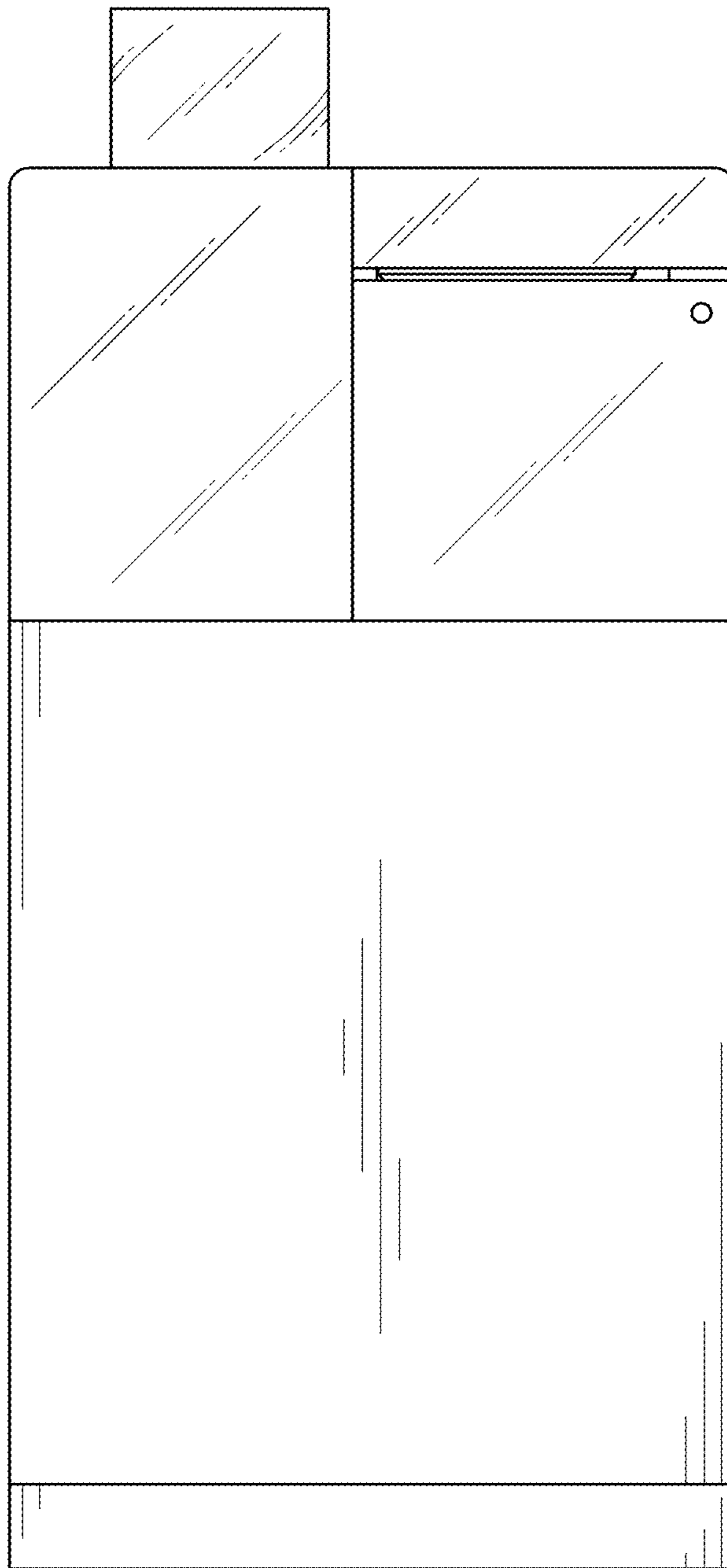


FIG. 8

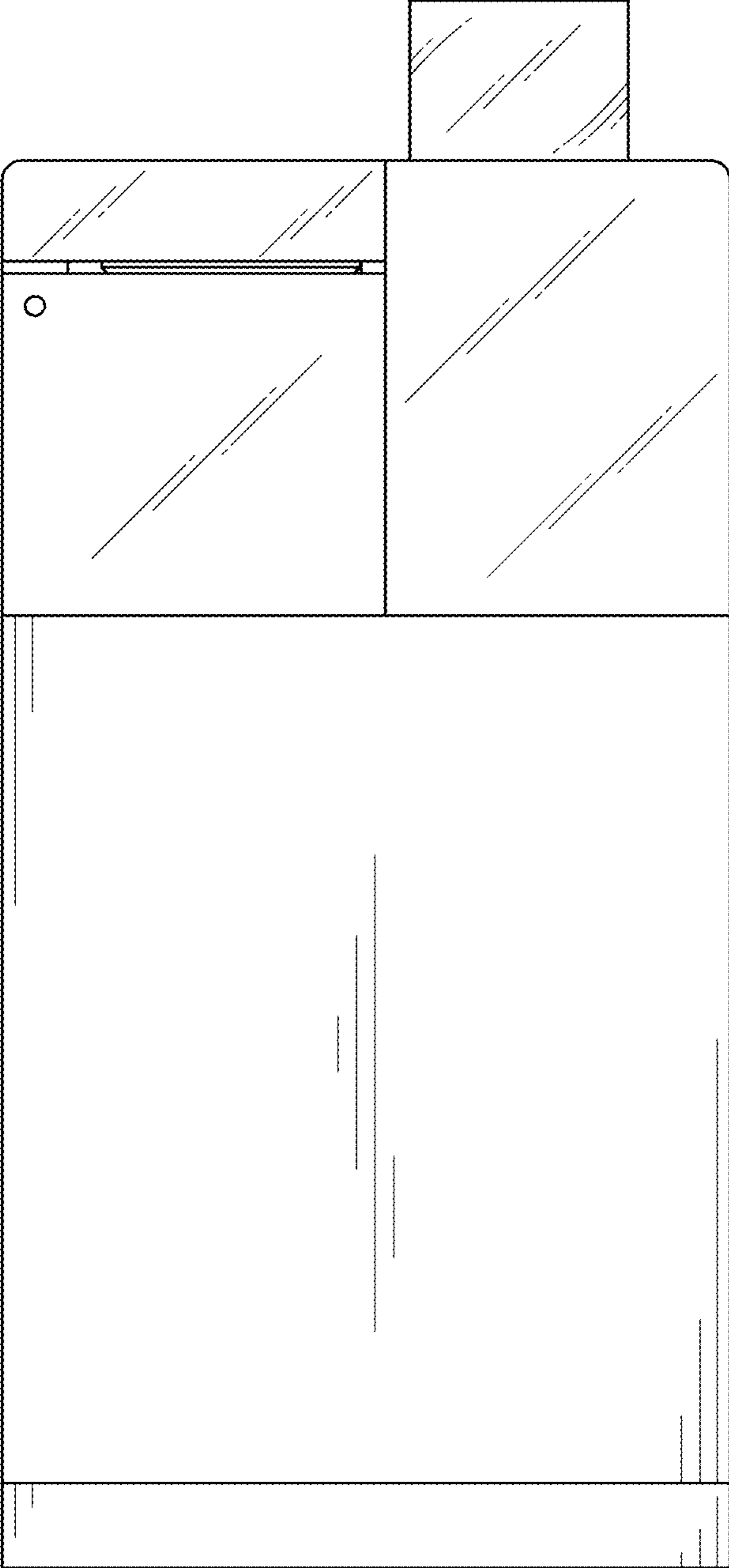


FIG. 9

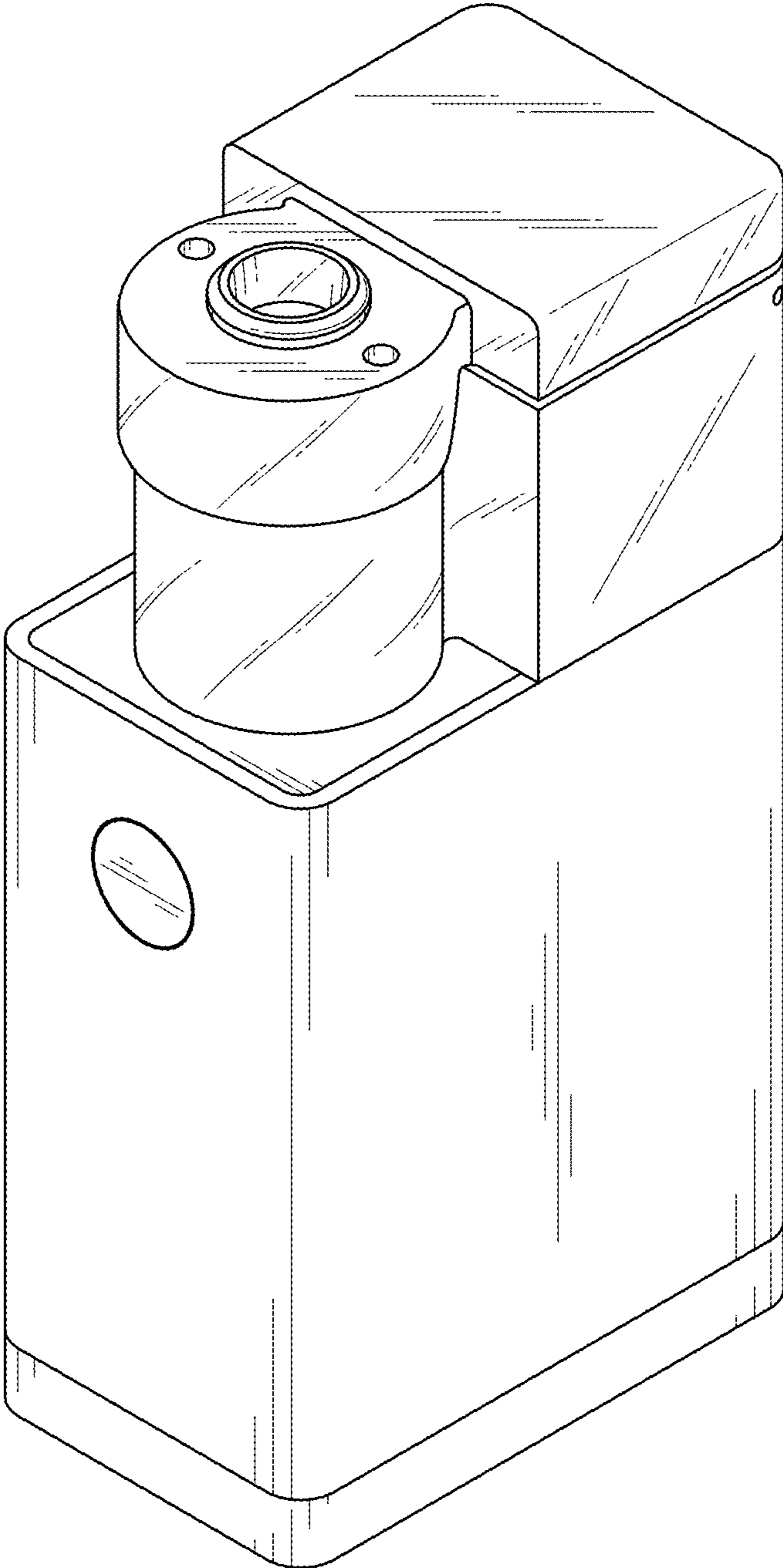


FIG. 10

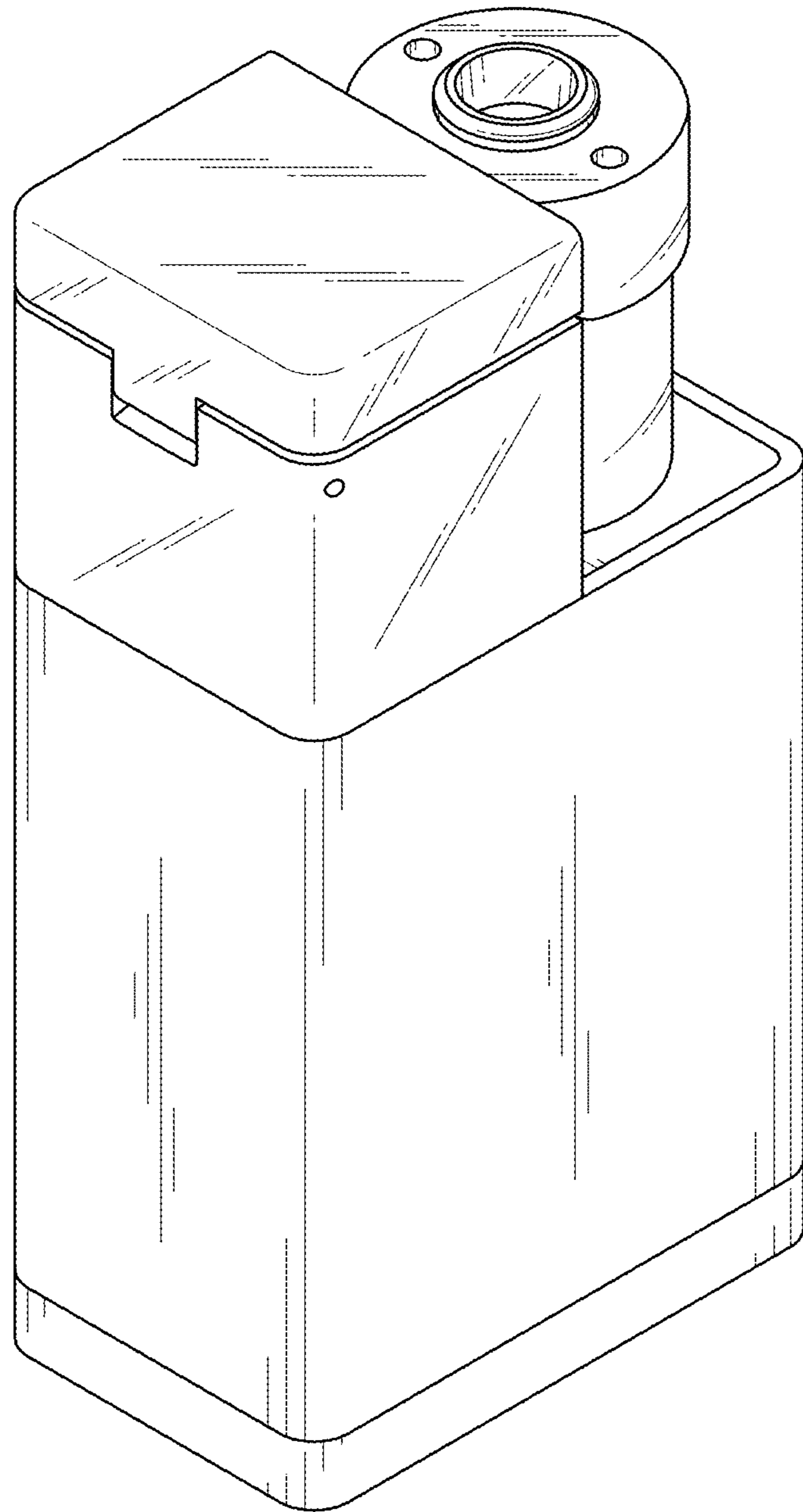


FIG. 11

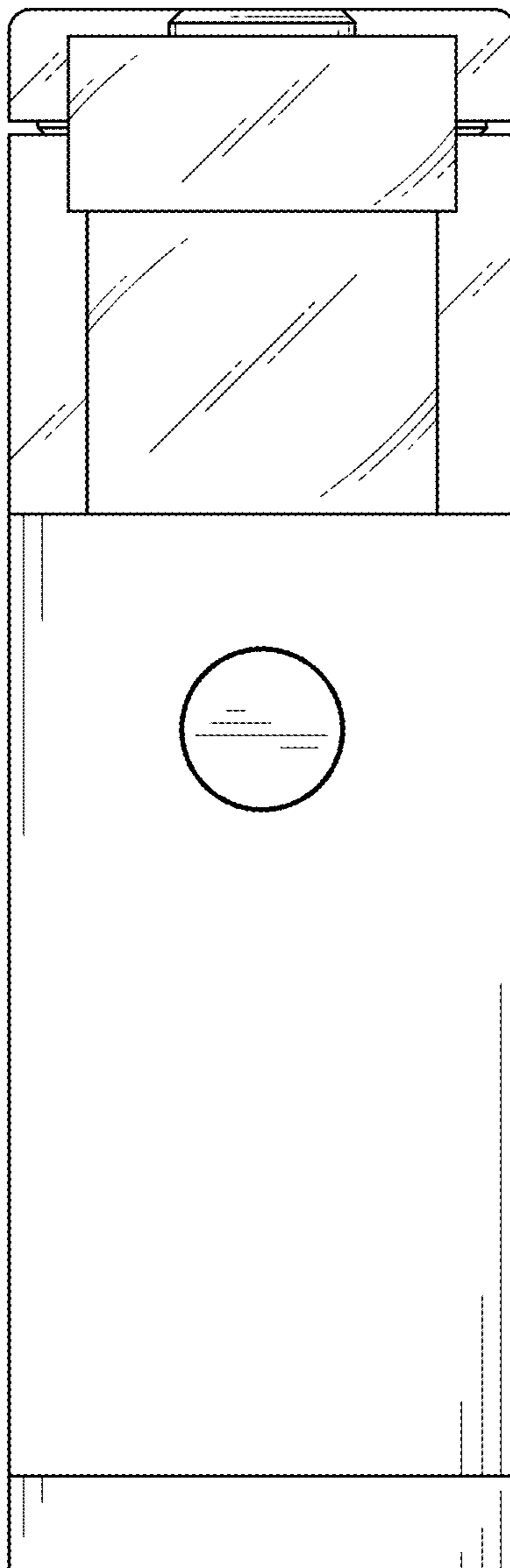


FIG. 12

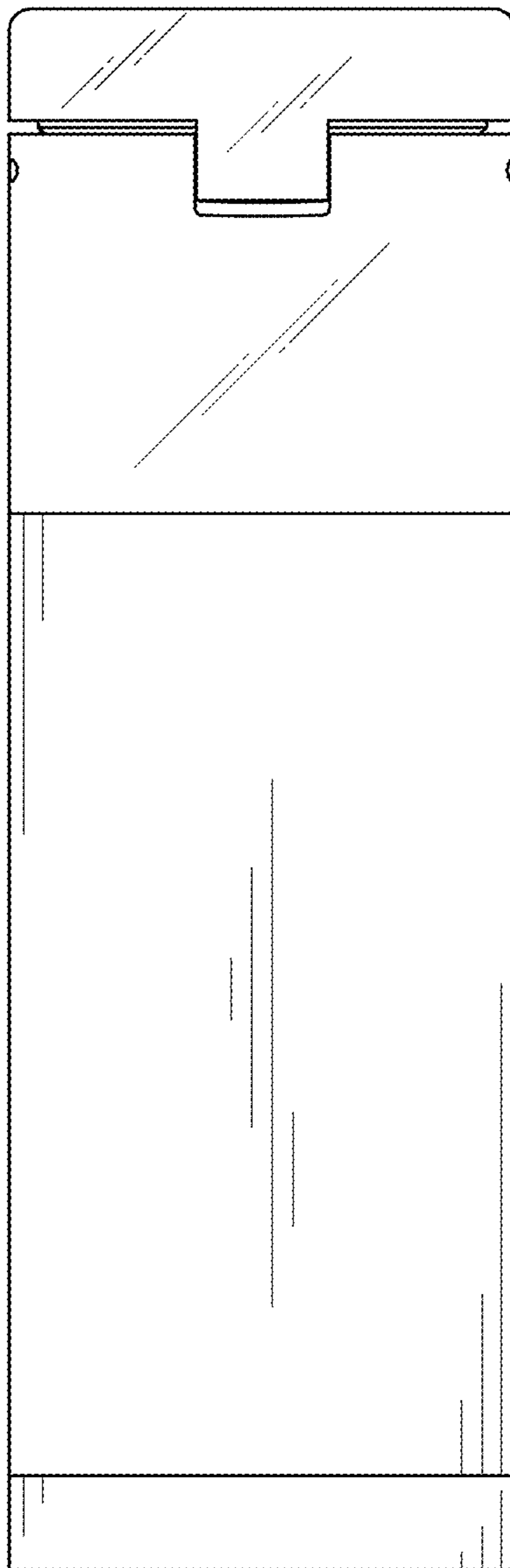


FIG. 13

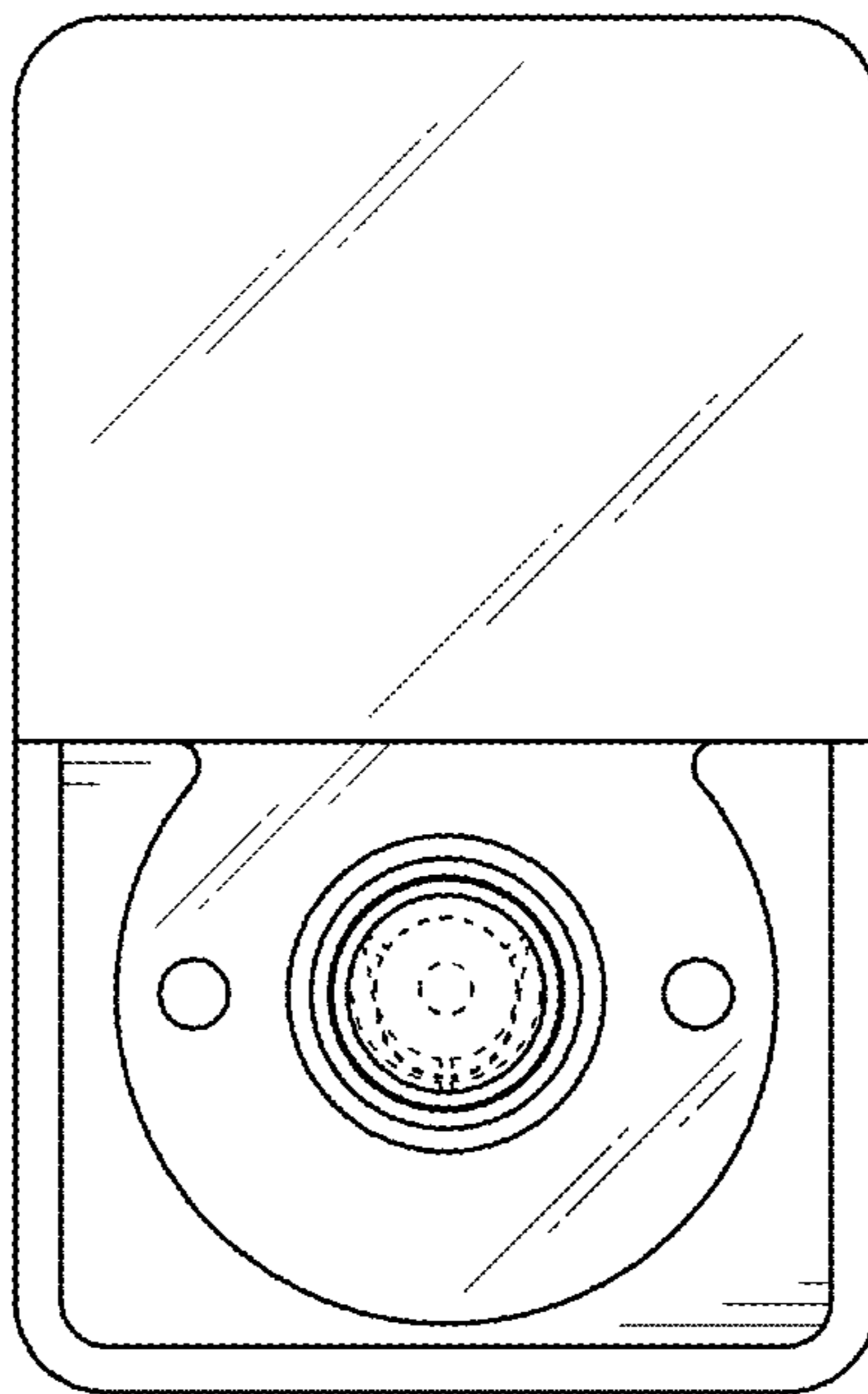


FIG. 14

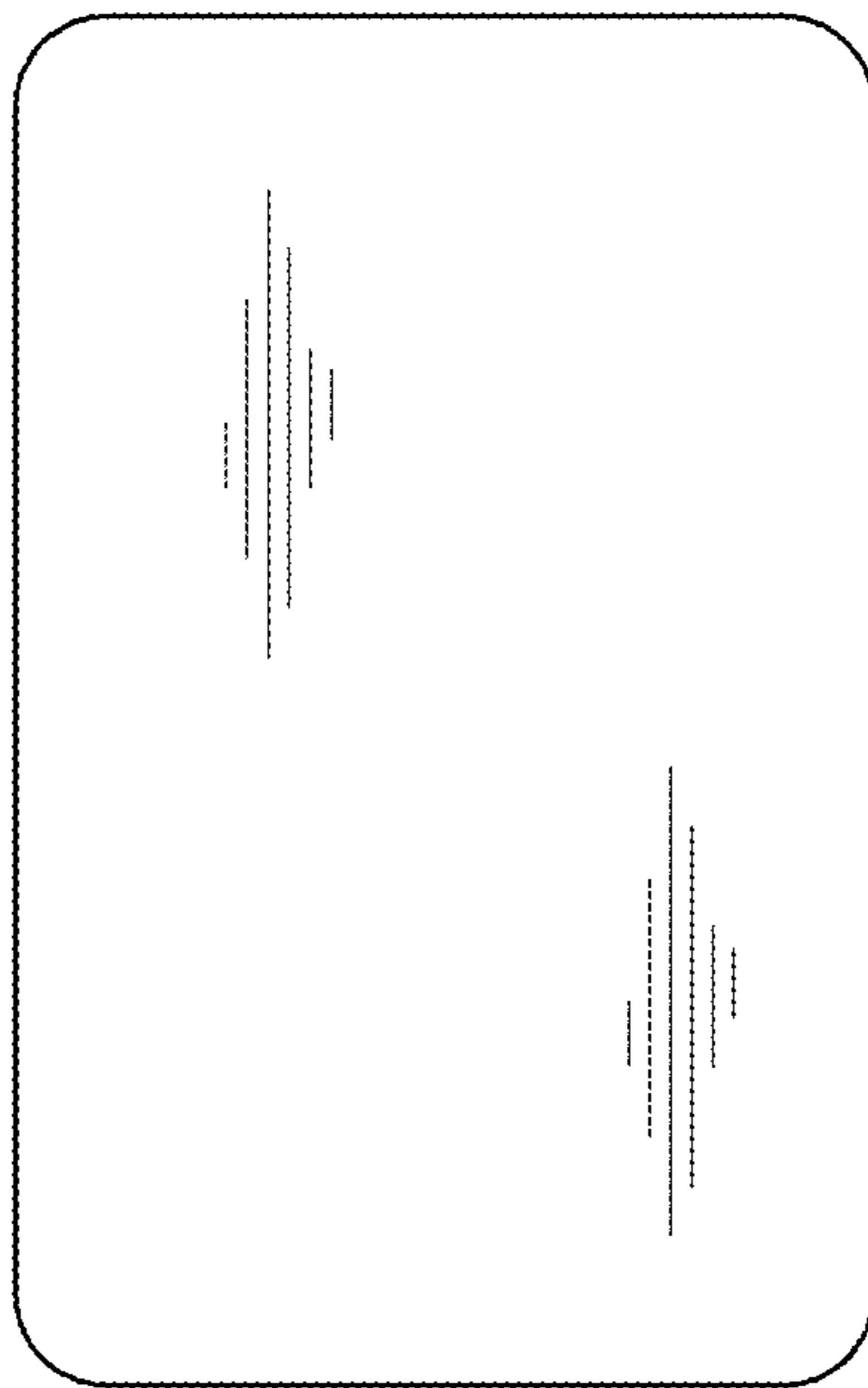


FIG. 15

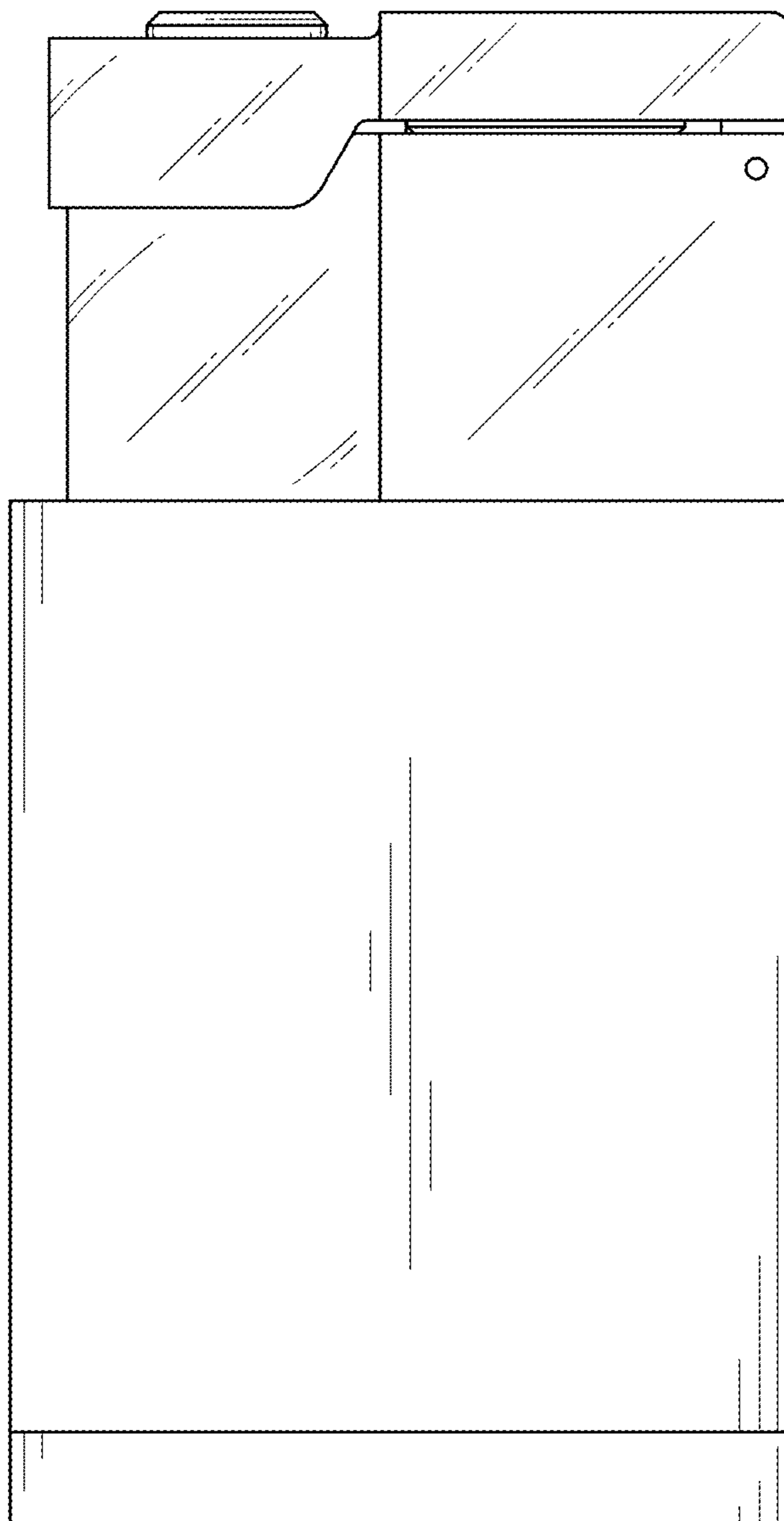


FIG. 16

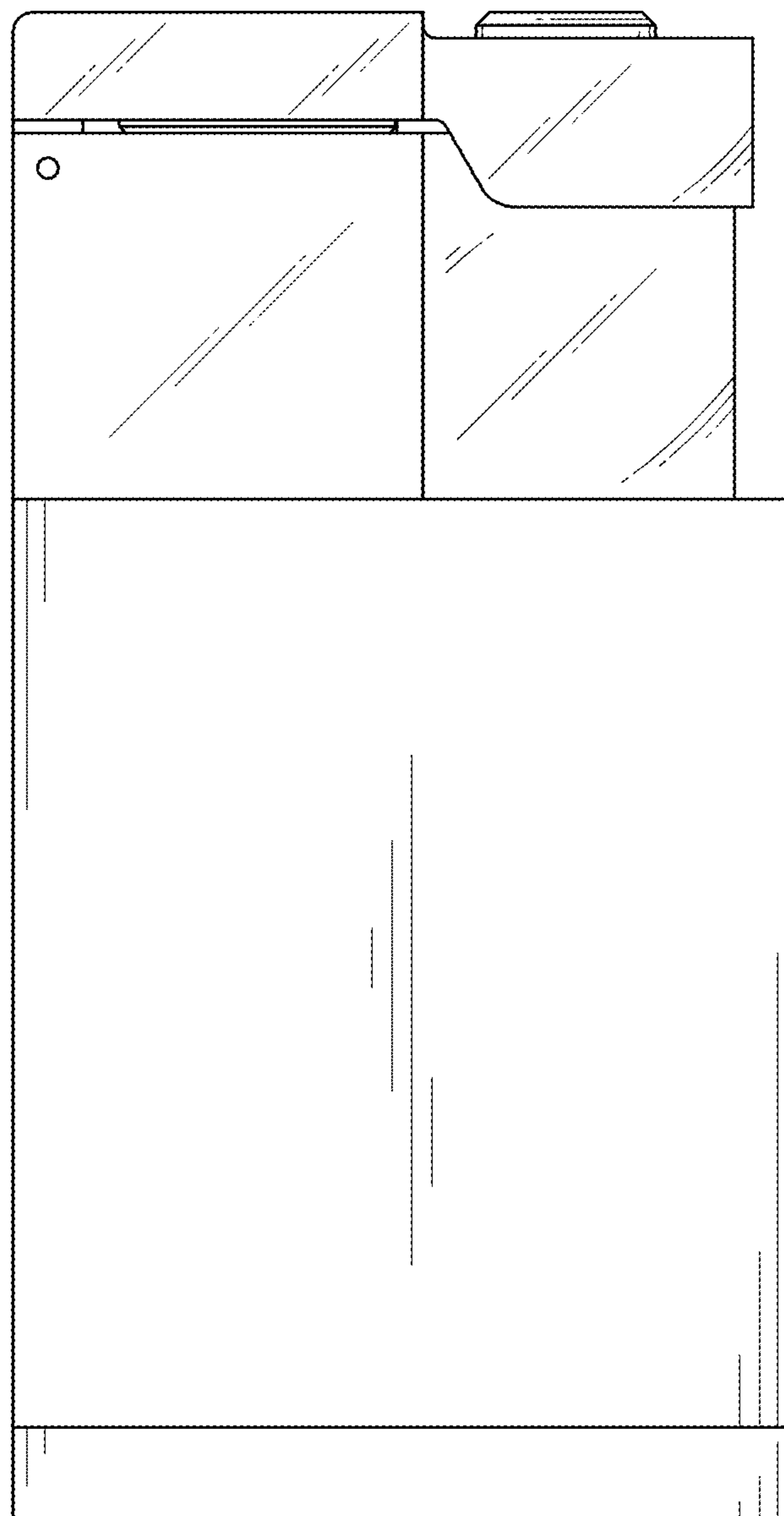


FIG. 17

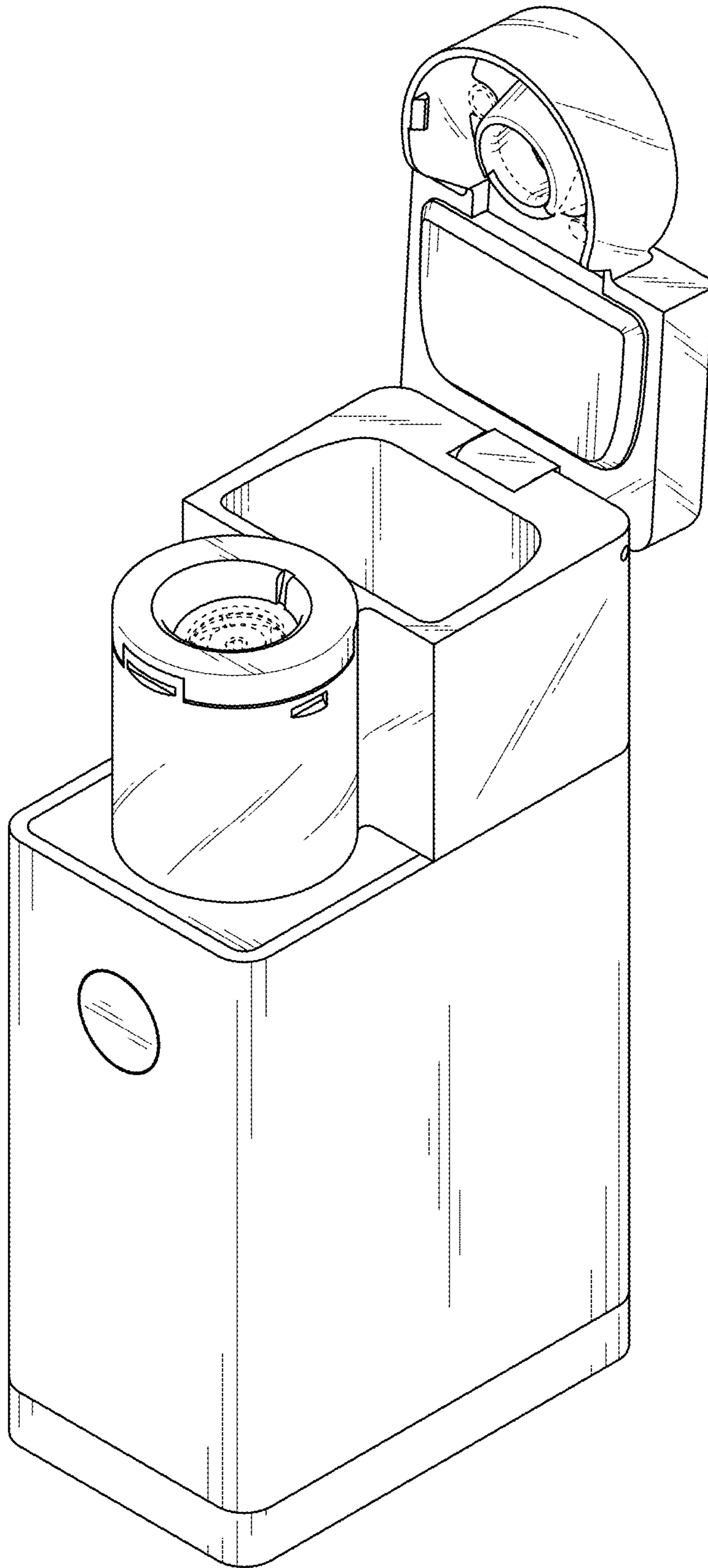


FIG. 18

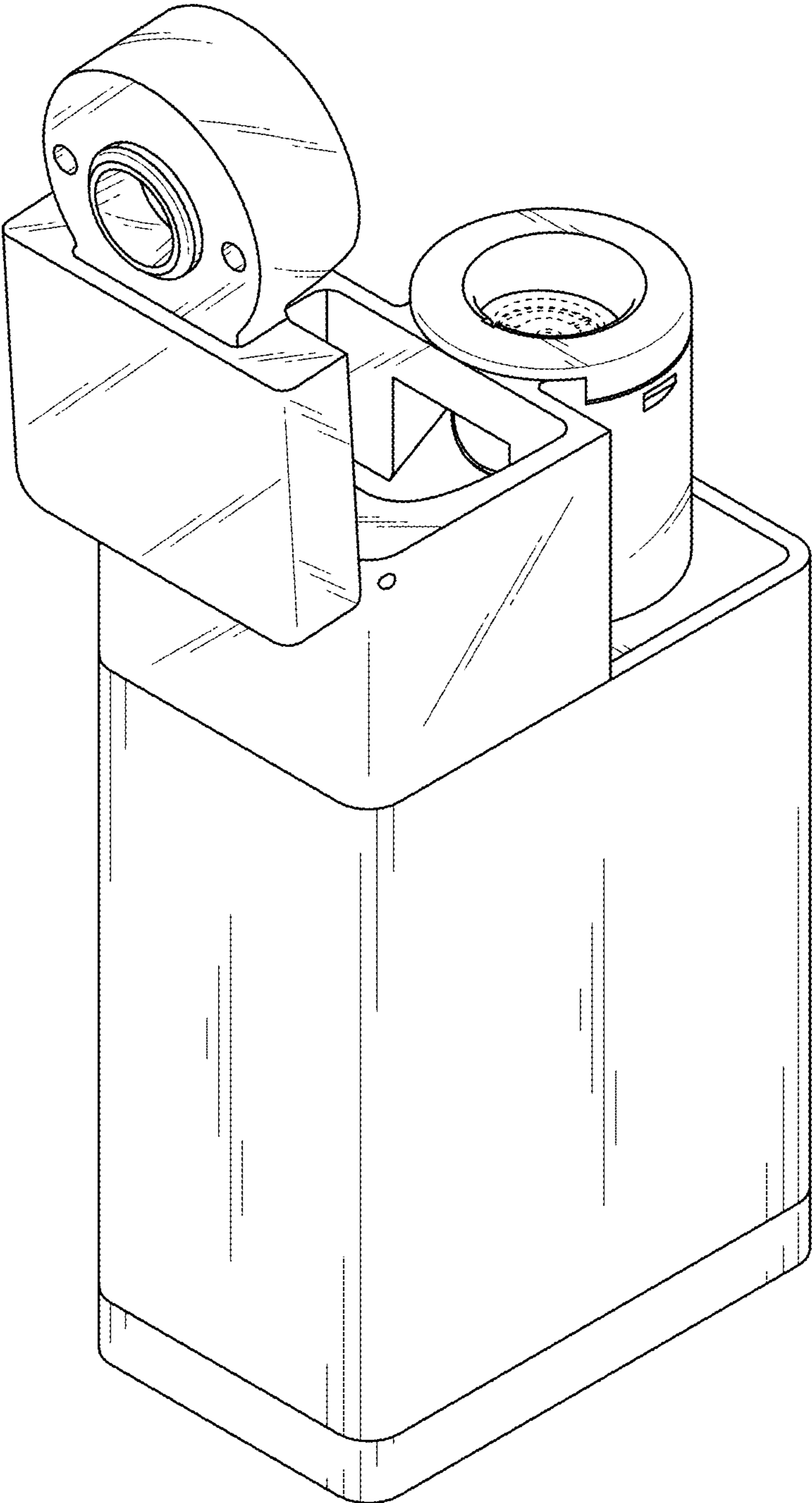


FIG. 19

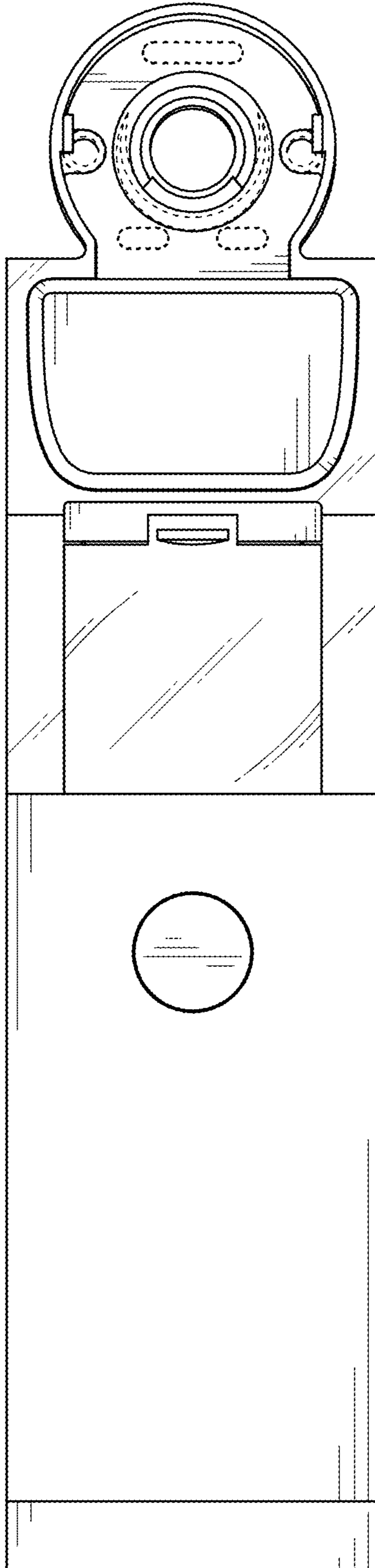


FIG. 20

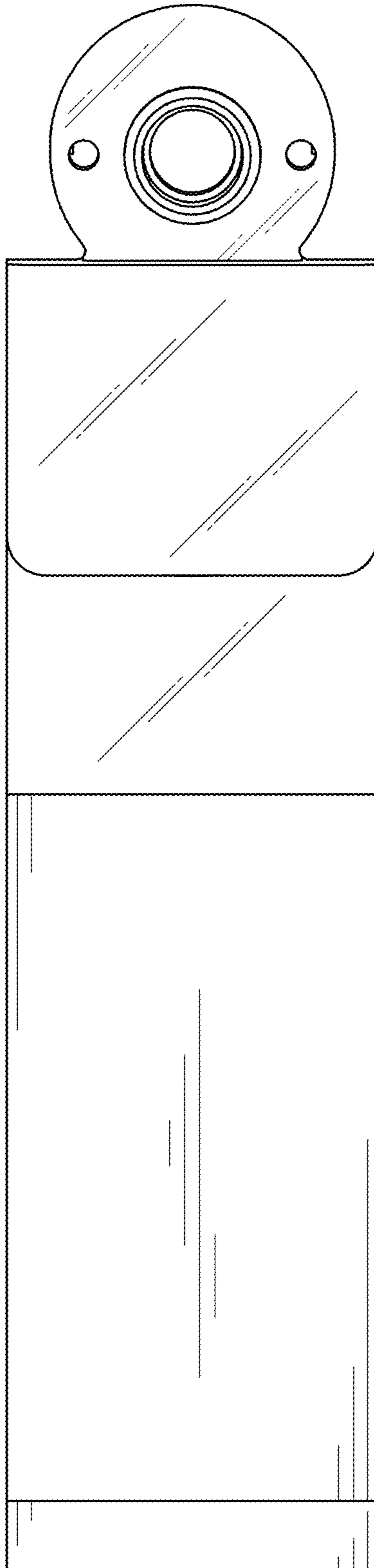


FIG. 21

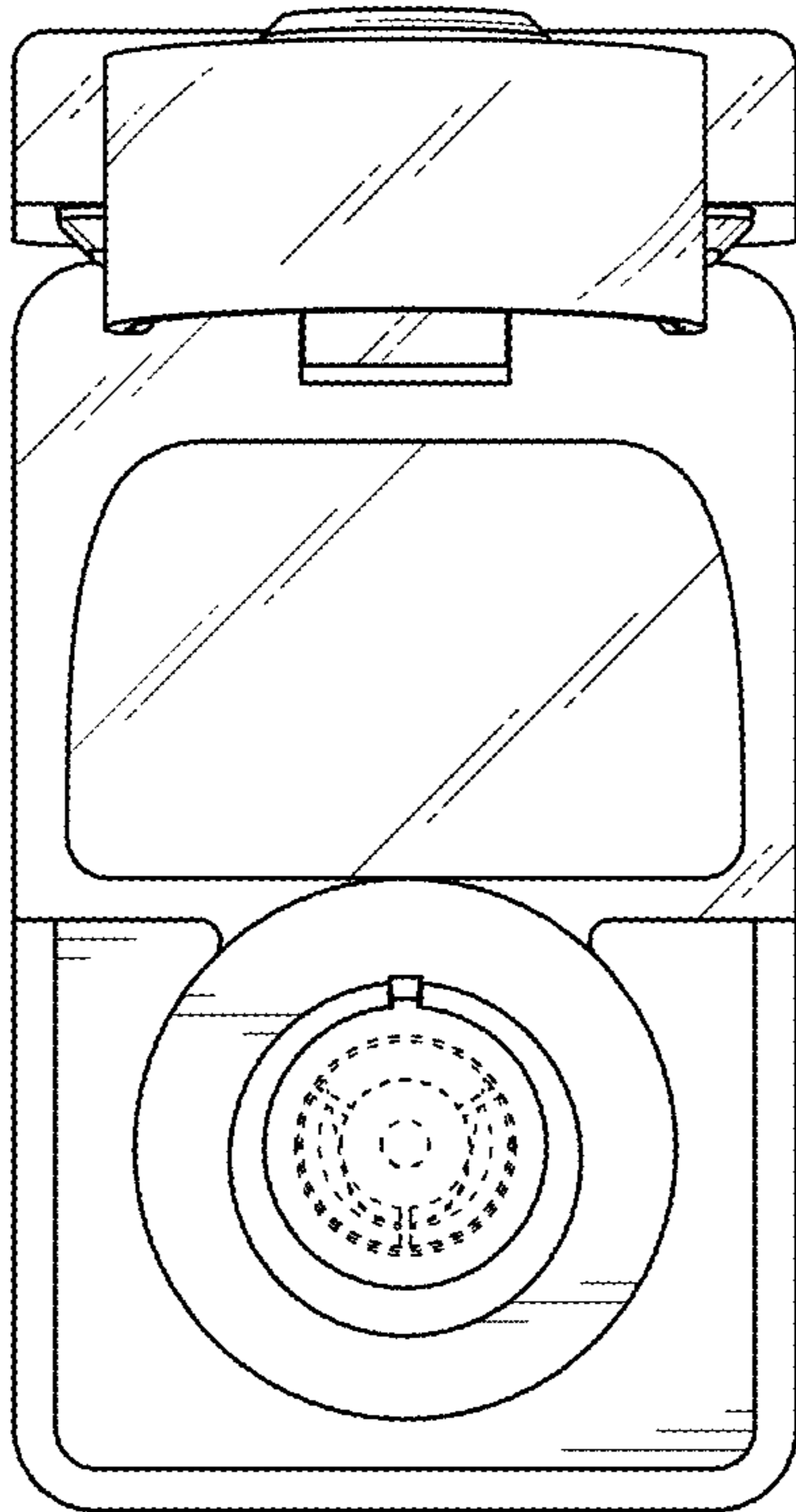


FIG. 22

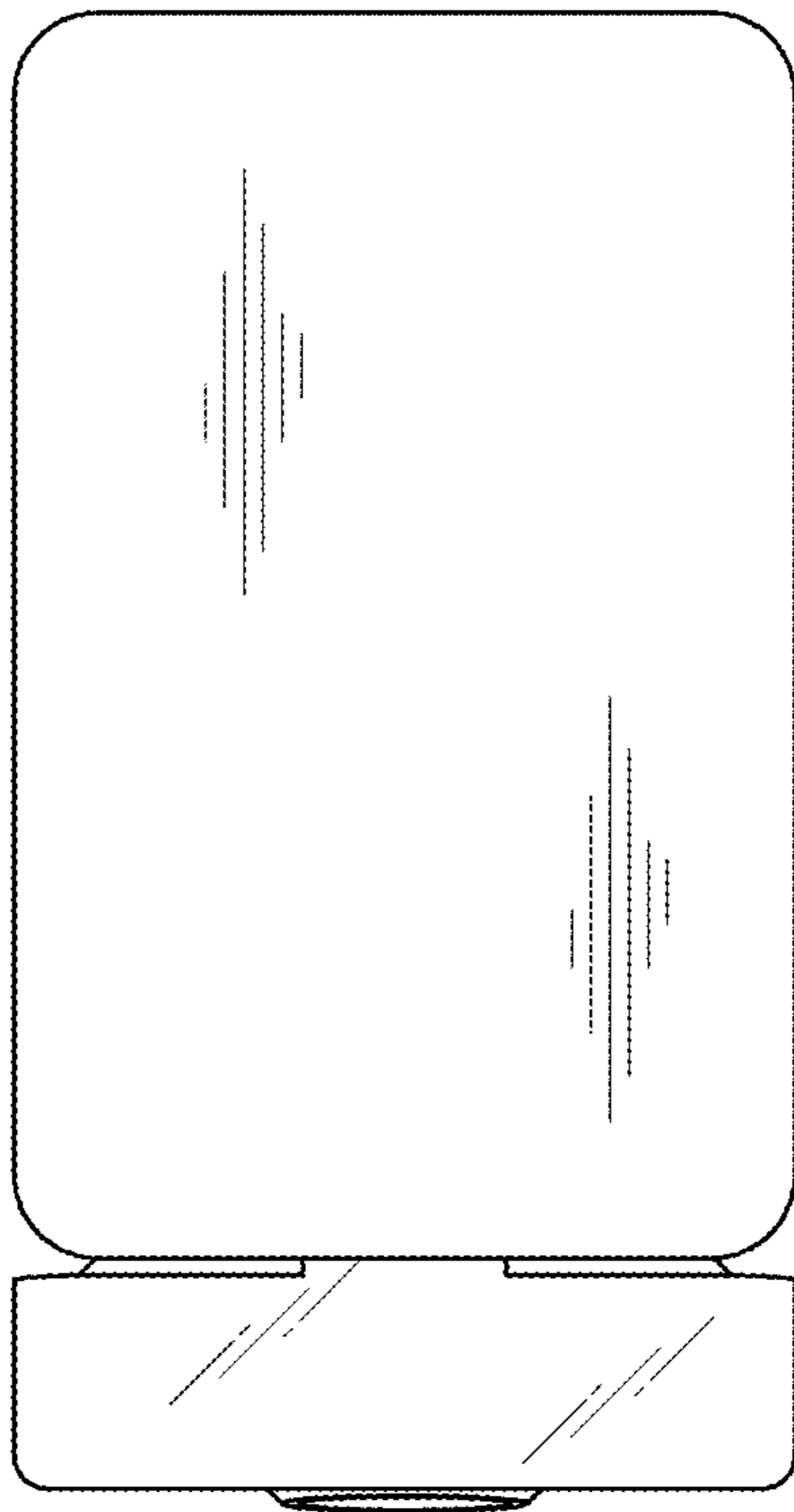


FIG. 23

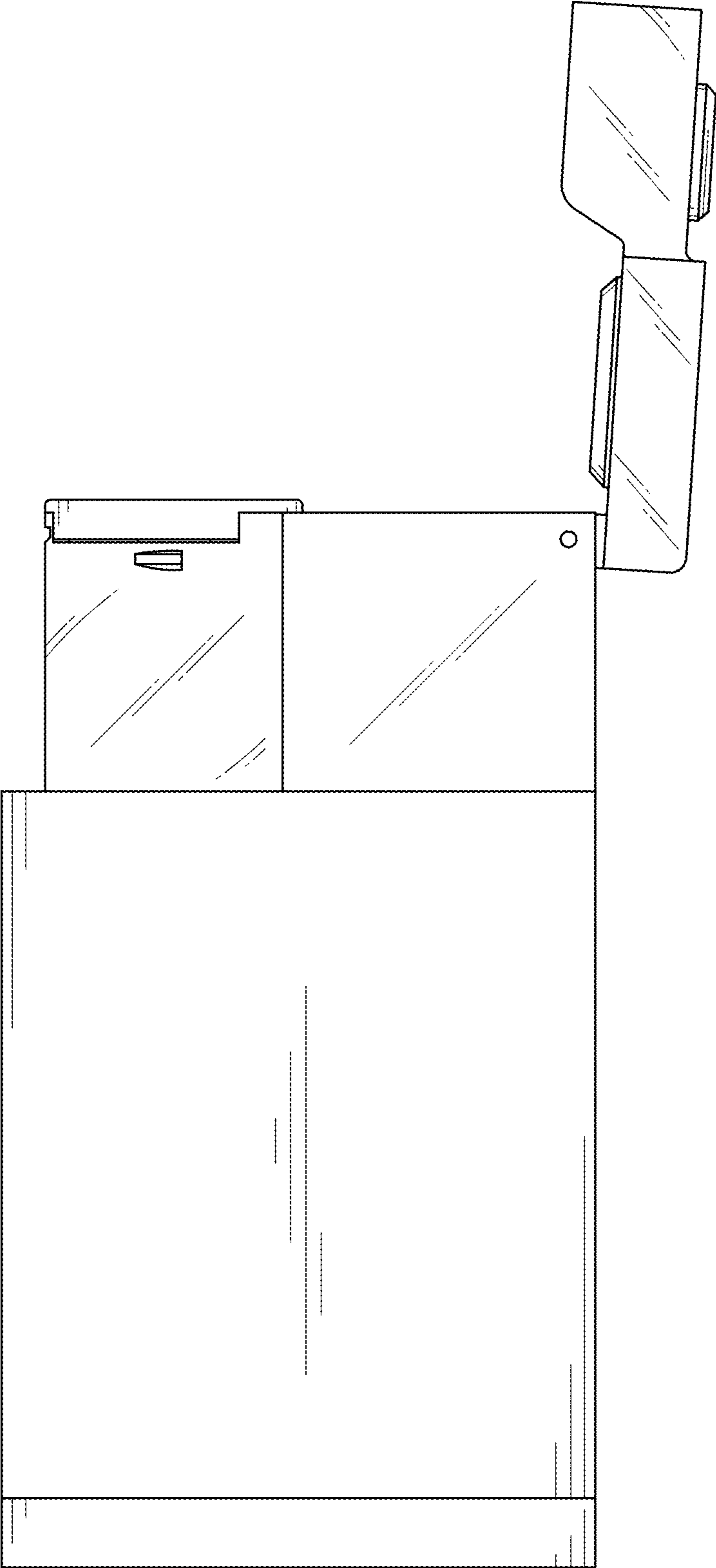


FIG. 24

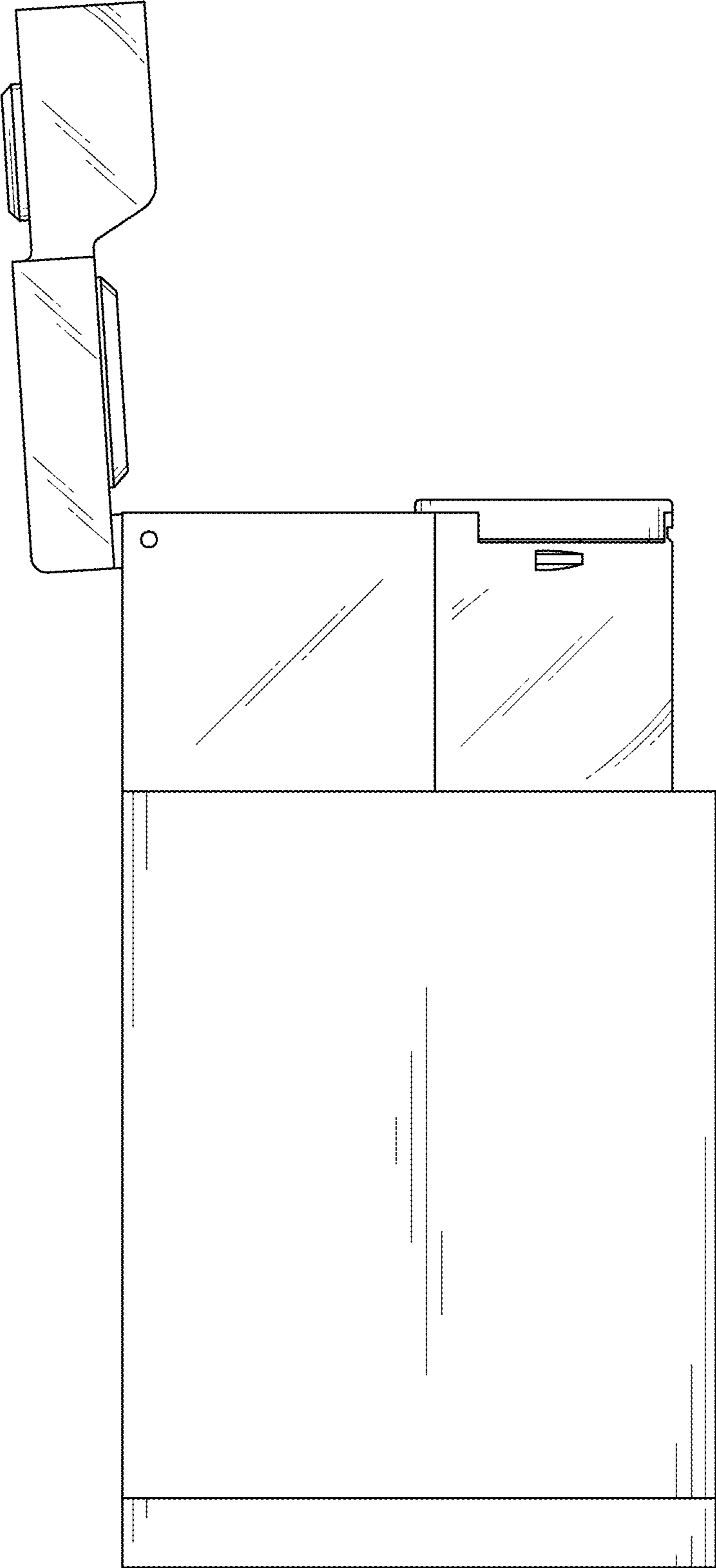


FIG. 25

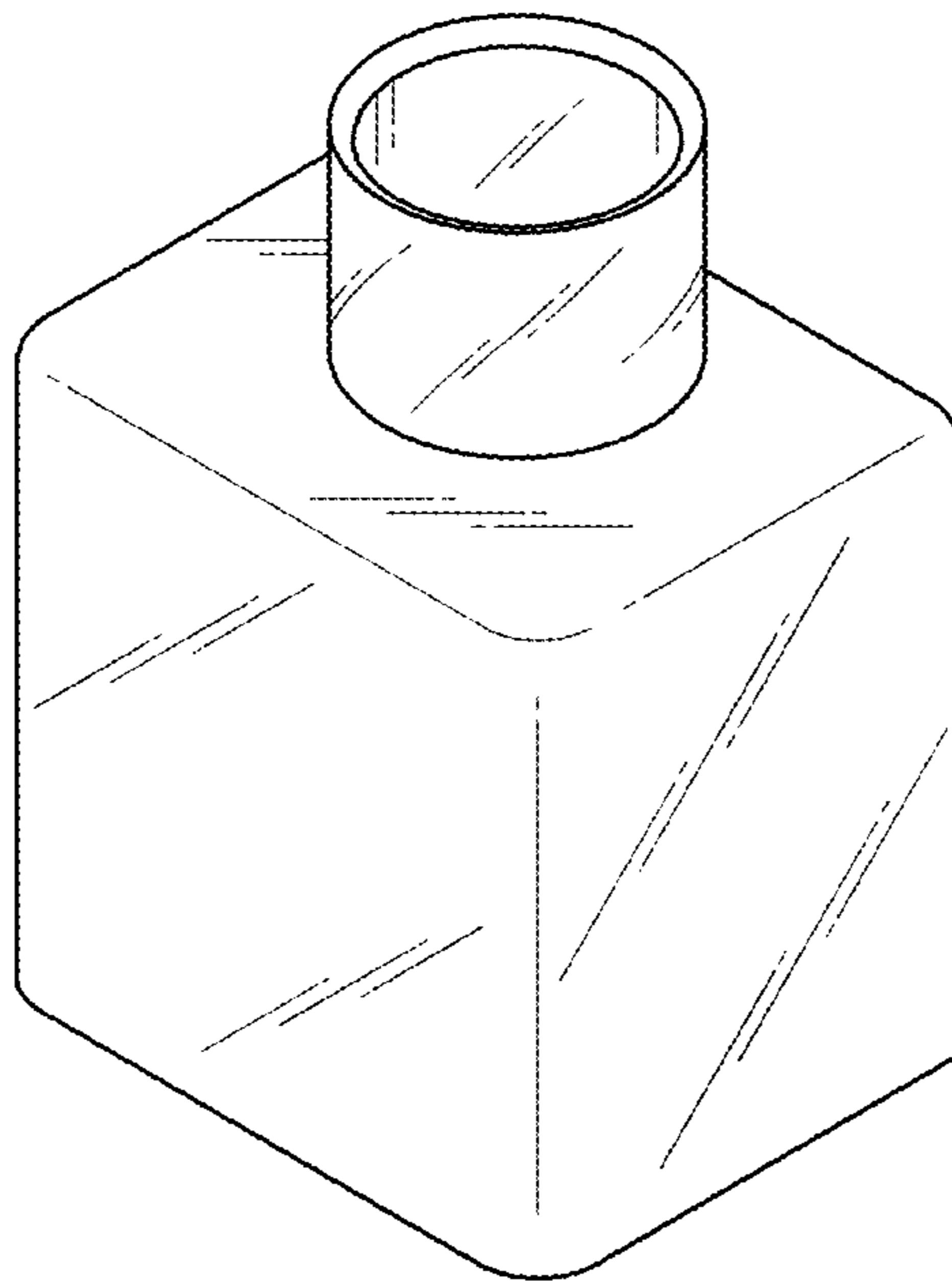


FIG. 26

