



US00D930144S

(12) **United States Design Patent** (10) **Patent No.:** **US D930,144 S**
Lee (45) **Date of Patent:** **** Sep. 7, 2021**

(54) **BREAST PUMP**

D719,928 S * 12/2014 Birger D14/203.3
D776,270 S * 1/2017 Wilcox D24/127
D794,770 S * 8/2017 Wu D24/108

(71) Applicant: **PUMPABLES PTE. LTD**, Singapore (SG)

(72) Inventor: **Banhee Lee**, Hwasung-si (KR)

(73) Assignee: **PUMPABLES PTE. LTD**, Singapore (SG)

(**) Term: **15 Years**

(21) Appl. No.: **29/661,636**

(22) Filed: **Aug. 29, 2018**

(51) **LOC (13) Cl.** **24-02**

(52) **U.S. Cl.** **D24/109**
USPC

(58) **Field of Classification Search**
USPC D24/108, 109, 127; D9/500, 549;
604/74-76; D13/168; D14/203.2-203.7
CPC A61M 1/062; A61M 1/06; A61M 1/066;
A61M 1/064; A61J 9/00; A61J 9/001
See application file for complete search history.

(56) **References Cited**

U.S. PATENT DOCUMENTS

D424,577 S * 5/2000 Backs D13/168
D565,174 S * 3/2008 Pukall D24/109
D597,038 S * 7/2009 Glassman D13/168
D681,802 S * 5/2013 Marks D24/109
D695,885 S * 12/2013 Thomas D24/109

OTHER PUBLICATIONS

Pumpables Genie Plus, posted at pumpables.co, earliest date posted on Jan. 7, 2020, [online], acquired on Apr. 27, 2020. Available from Internet, <URL: <https://pumpables.co/products/pumpables-milk-genie-plus-double-electric-breast-pump>> (Year: 2020).*

* cited by examiner

Primary Examiner — Aula Soroush

(74) *Attorney, Agent, or Firm* — JCIP; Joseph G. Chu; Jeremy I. Maynard

(57) **CLAIM**

The ornamental design for a breast pump, as shown and described.

DESCRIPTION

FIG. 1 is a front perspective view of a breast pump; FIG. 2 is a front elevation view thereof; FIG. 3 is a rear elevation view thereof; FIG. 4 is a top plan view thereof; and FIG. 5 is a bottom plan view thereof; FIG. 6 is a left side elevation view thereof; and, FIG. 7 is a right side elevation view thereof. The broken lines indicate portions of the breast pump that form no part of the claimed design.

1 Claim, 7 Drawing Sheets





FIG. 1

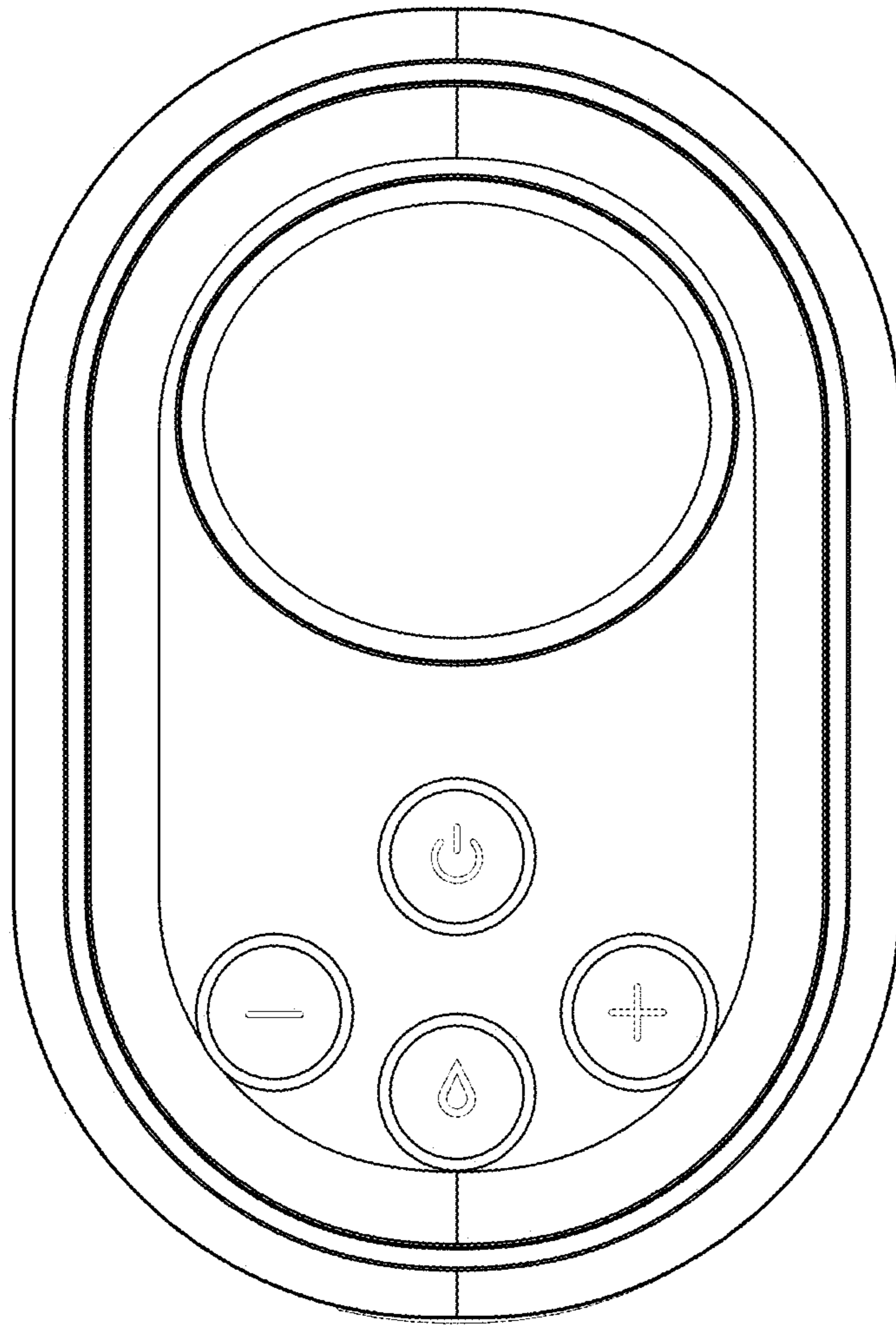


FIG. 2

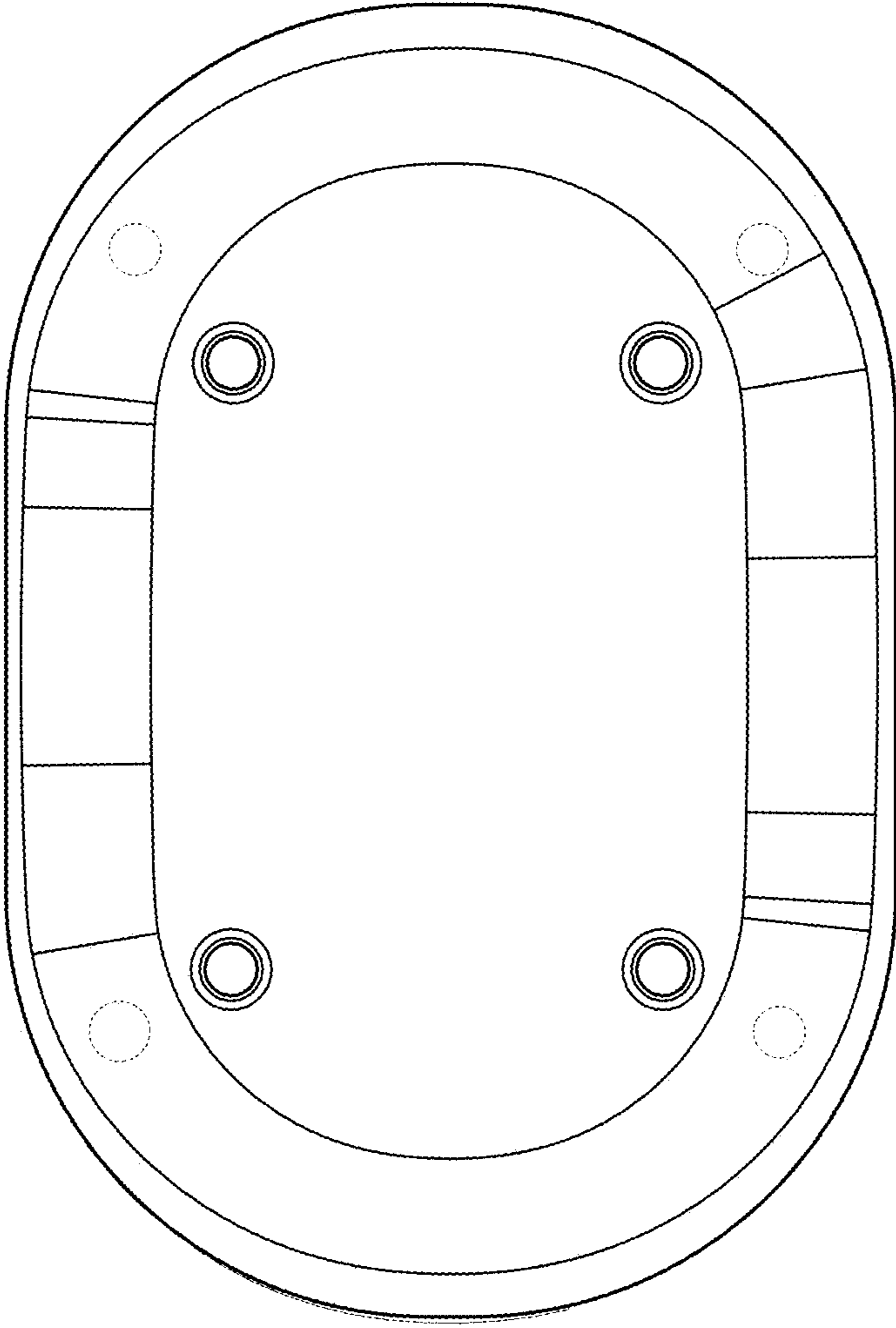


FIG. 3

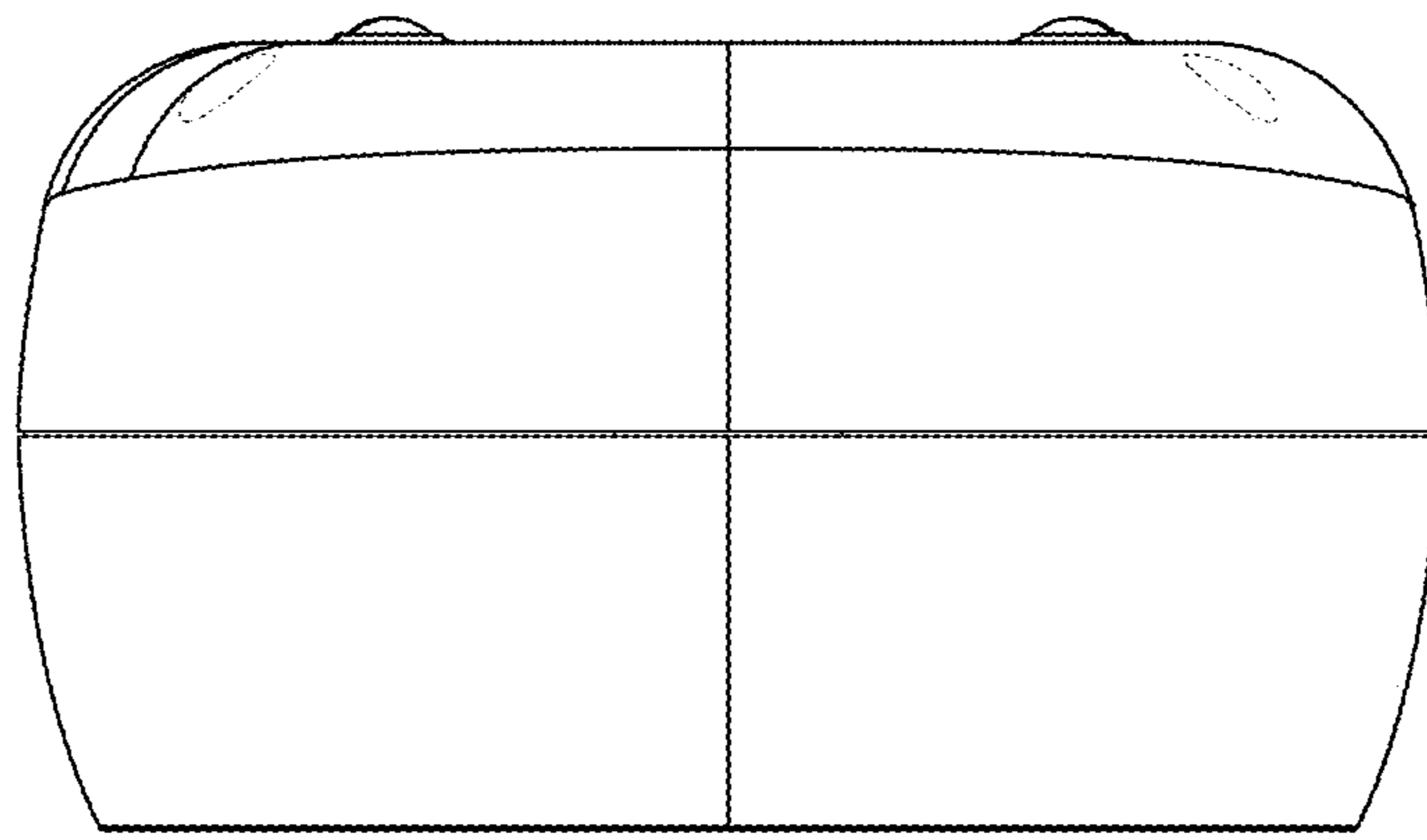


FIG. 4

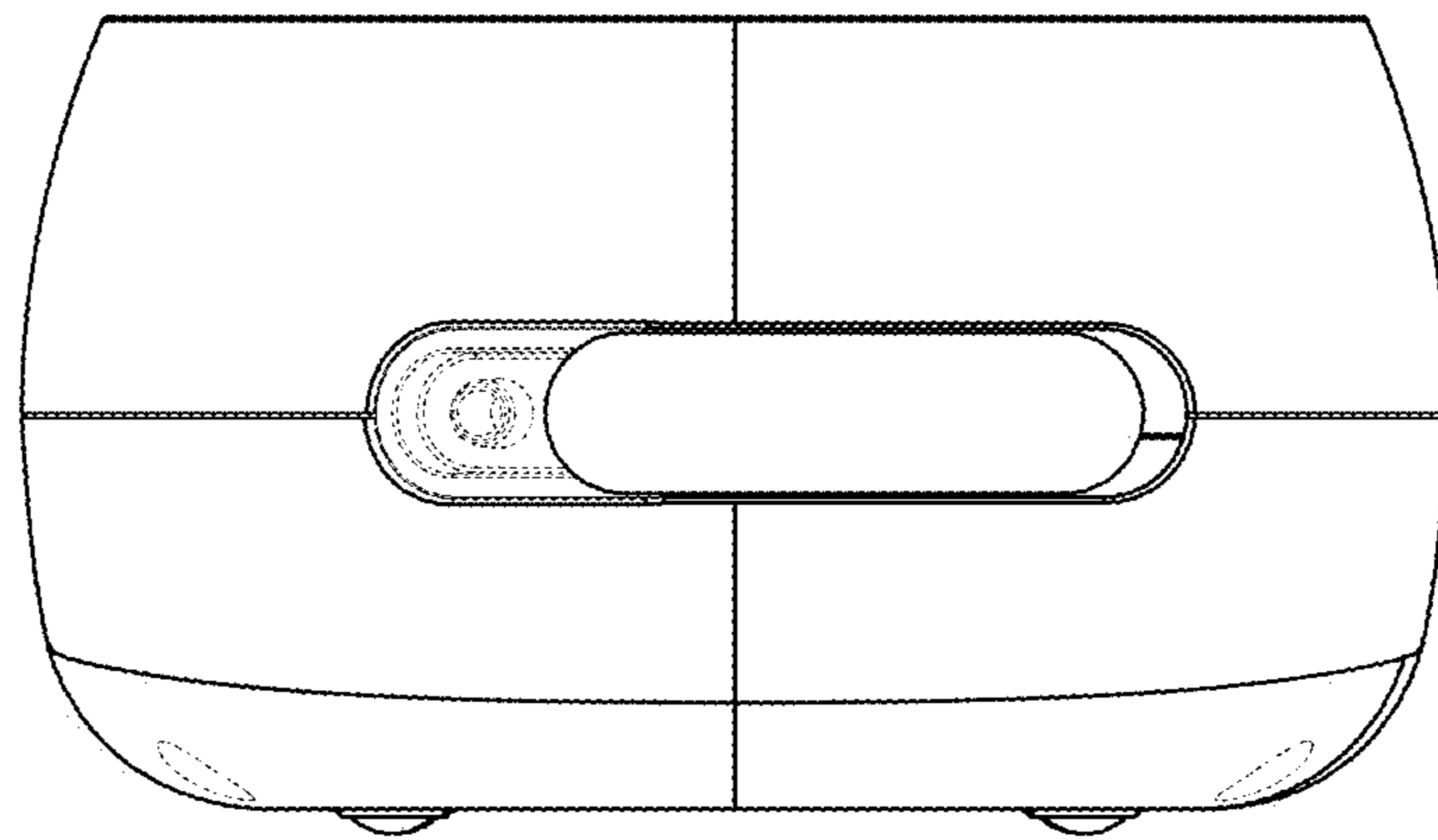


FIG. 5

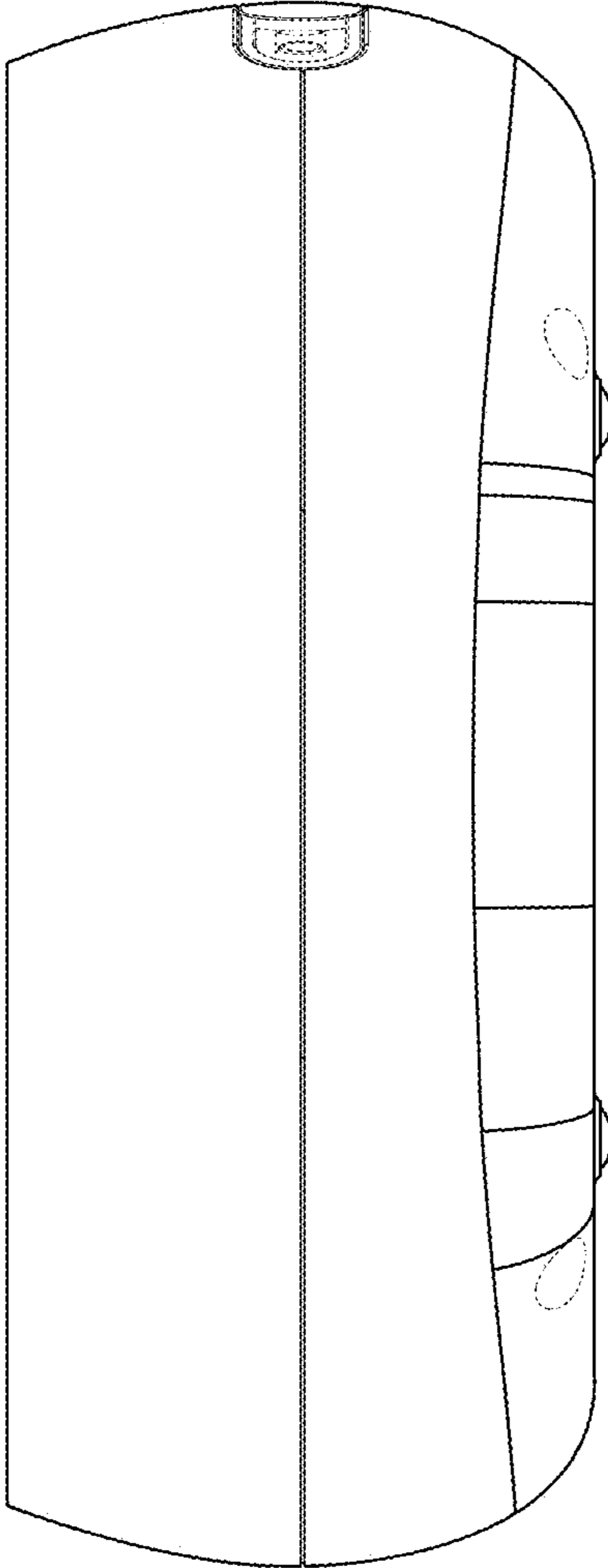


FIG. 6

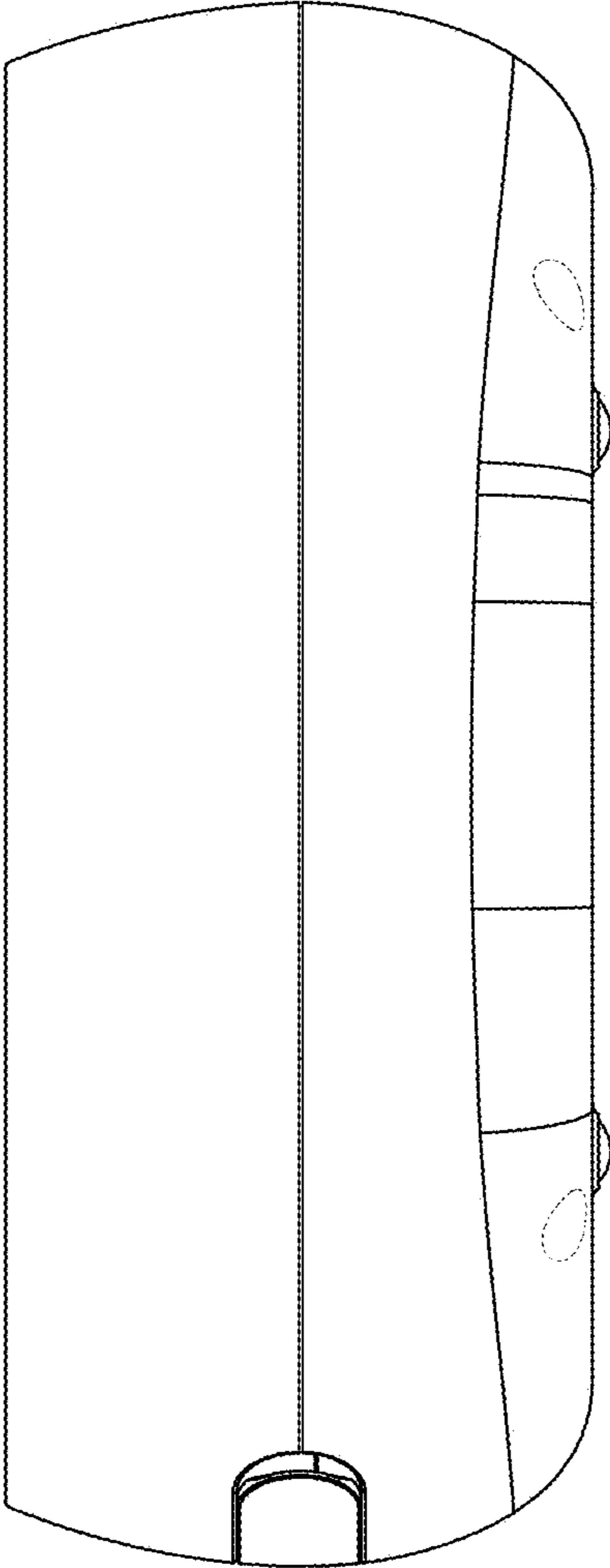


FIG. 7