



US00D930140S

(12) **United States Design Patent** (10) **Patent No.:** **US D930,140 S**  
**Fu** (45) **Date of Patent:** **\*\* Sep. 7, 2021**

(54) **HEATING AND COOLING FAN**  
(71) Applicant: **Ruochen Fu**, Changsha (CN)  
(72) Inventor: **Ruochen Fu**, Changsha (CN)  
(\*\*) Term: **15 Years**  
(21) Appl. No.: **29/773,246**  
(22) Filed: **Mar. 8, 2021**  
(51) **LOC (13) Cl.** ..... **23-04**  
(52) **U.S. Cl.**  
USPC ..... **D23/370**  
(58) **Field of Classification Search**  
USPC ..... **D23/370-385, 411**  
See application file for complete search history.

D729,376 S \* 5/2015 McPherson ..... D23/370  
D729,925 S \* 5/2015 McPherson ..... D23/370  
D768,280 S \* 10/2016 Peet ..... D23/370  
D768,281 S \* 10/2016 Peet ..... D23/370  
D768,839 S \* 10/2016 Peet ..... D23/370  
D768,840 S \* 10/2016 Peet ..... D23/370  
D768,841 S \* 10/2016 Peet ..... D23/370  
D768,842 S \* 10/2016 Peet ..... D23/370  
D782,020 S \* 3/2017 Poulton ..... D23/370  
D782,021 S \* 3/2017 Poulton ..... D23/370  
D782,640 S \* 3/2017 Poulton ..... D23/370  
D782,641 S \* 3/2017 Poulton ..... D23/370  
D782,642 S \* 3/2017 Poulton ..... D23/370  
D782,643 S \* 3/2017 Poulton ..... D23/370

(Continued)

*Primary Examiner* — Janice Hallmark

(57) **CLAIM**

The ornamental design for a heating and cooling fan, as shown and described.

(56) **References Cited**

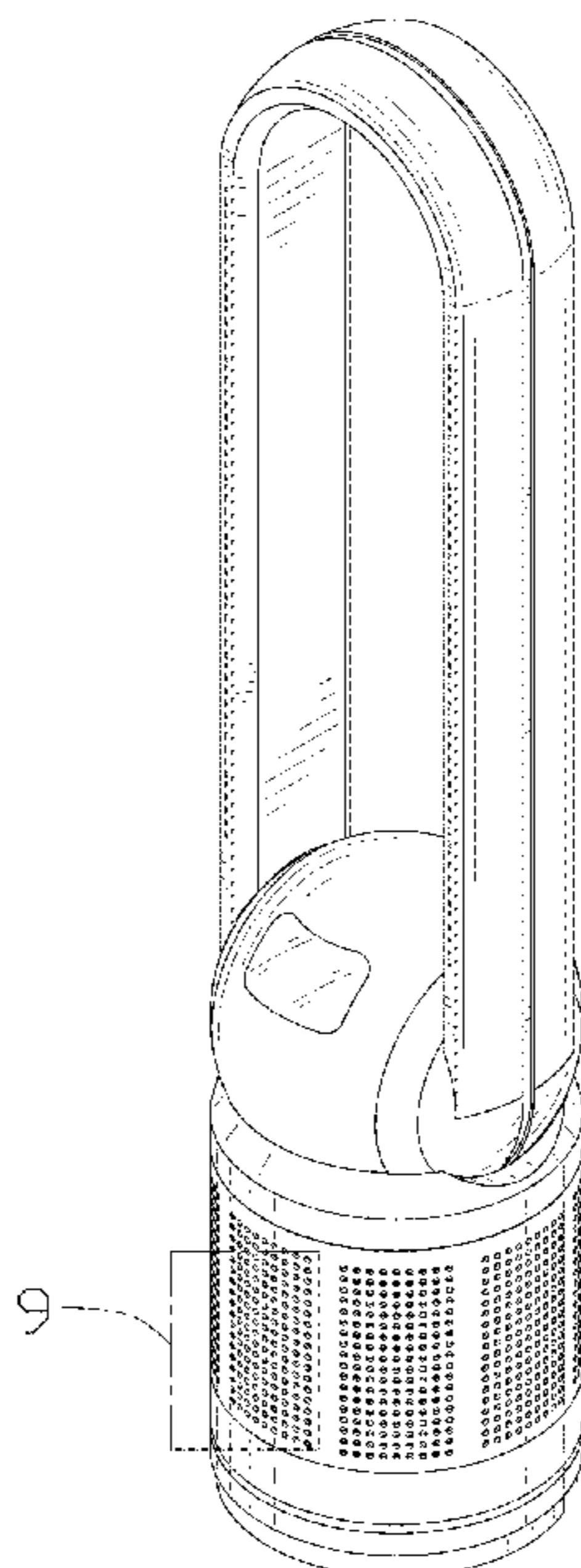
U.S. PATENT DOCUMENTS

D598,532 S \* 8/2009 Dyson ..... F04F 5/16  
D23/370  
D602,143 S \* 10/2009 Gammack ..... F04F 5/16  
D23/370  
D602,144 S \* 10/2009 Dyson ..... F04F 5/16  
D23/370  
D605,748 S \* 12/2009 Gammack ..... F04D 25/08  
D23/370  
D638,114 S \* 5/2011 Li ..... D23/370  
D643,098 S \* 8/2011 Wallace ..... D23/342  
D672,023 S \* 12/2012 Wallace ..... D23/370  
D672,024 S \* 12/2012 Fitton ..... D23/370  
D678,993 S \* 3/2013 Kung-Hua ..... D23/370  
D716,425 S 10/2014 Tai et al.  
D728,092 S \* 4/2015 Poulton ..... D23/370  
D728,769 S \* 5/2015 Dyson ..... D23/370  
D728,770 S \* 5/2015 Dyson ..... D23/370  
D729,372 S \* 5/2015 McPherson ..... D23/370  
D729,373 S \* 5/2015 Dos Reis ..... D23/370  
D729,374 S \* 5/2015 Dos Reis ..... D23/370  
D729,375 S \* 5/2015 Dos Reis ..... D23/370

**DESCRIPTION**

FIG. 1 is a front and top perspective view of a heating, and cooling fan, showing my new design;  
FIG. 2 is a rear and bottom perspective view thereof;  
FIG. 3 is a front elevation view thereof;  
FIG. 4 is a rear elevation view thereof;  
FIG. 5 is a left side elevation view thereof;  
FIG. 6 is a right side elevation view thereof;  
FIG. 7 is a top plan view thereof;  
FIG. 8 is a bottom plan view thereof; and,  
FIG. 9 is an enlarged view of a portion indicated with numeric 9 in FIG. 1.  
The broken lines in the figures illustrate portions of the heating and cooling fan that form no part of the claimed design. The dash dot dash lines in FIGS. 1 and 9 are for the purpose of depicting the cut line of the enlarged view and form no part of the claim.

**1 Claim, 9 Drawing Sheets**



(56)

**References Cited**

U.S. PATENT DOCUMENTS

D783,140 S *	4/2017	Poulton .....	D23/370
D783,141 S *	4/2017	Poulton .....	D23/370
D783,142 S *	4/2017	Poulton .....	D23/370
D783,143 S *	4/2017	Poulton .....	D23/370
D790,681 S *	6/2017	Poulton .....	D23/370
D888,219 S *	6/2020	Peet .....	D23/370
D888,220 S *	6/2020	Peet .....	D23/370
D888,927 S *	6/2020	Hodgson .....	D23/370
D888,928 S *	6/2020	Hodgson .....	D23/370
D888,929 S *	6/2020	Peet .....	D23/370
D895,781 S *	9/2020	Peet .....	D23/370

\* cited by examiner

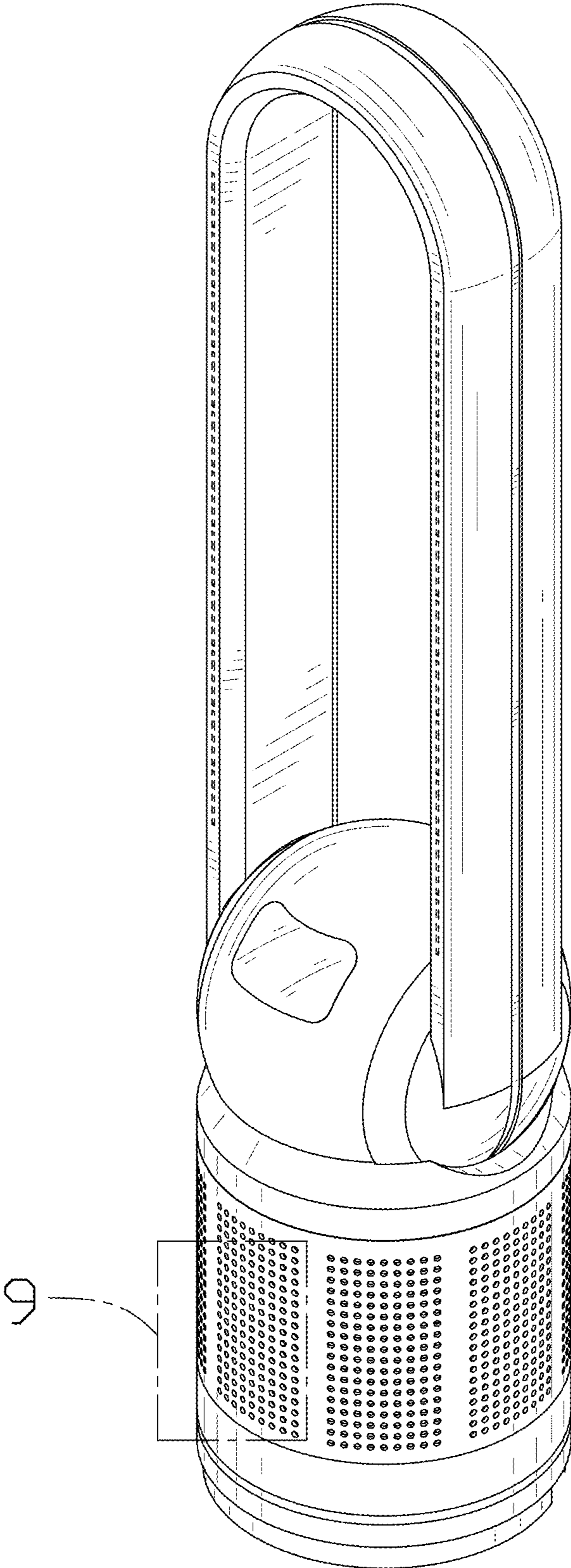


FIG. 1

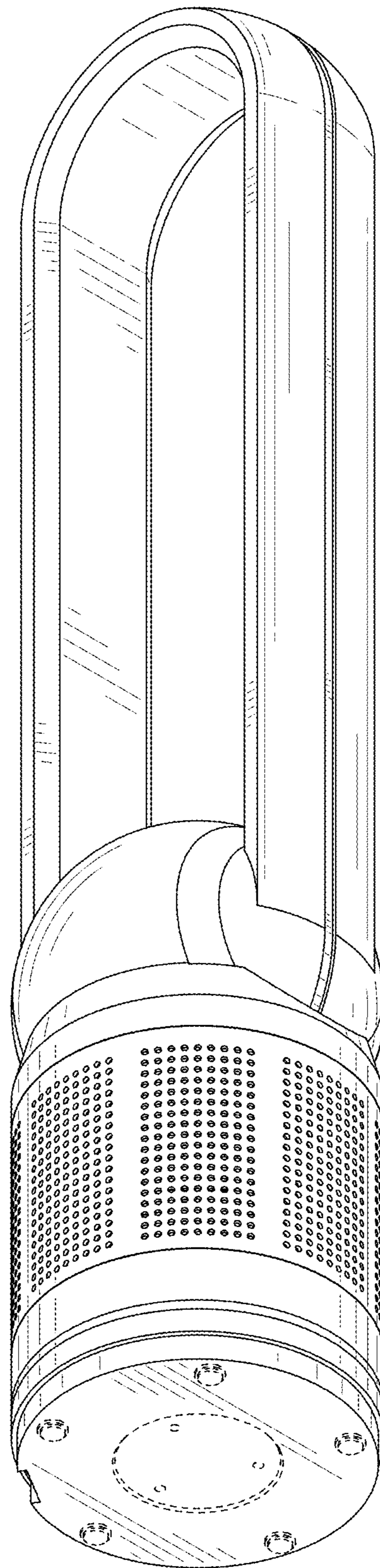


FIG. 2



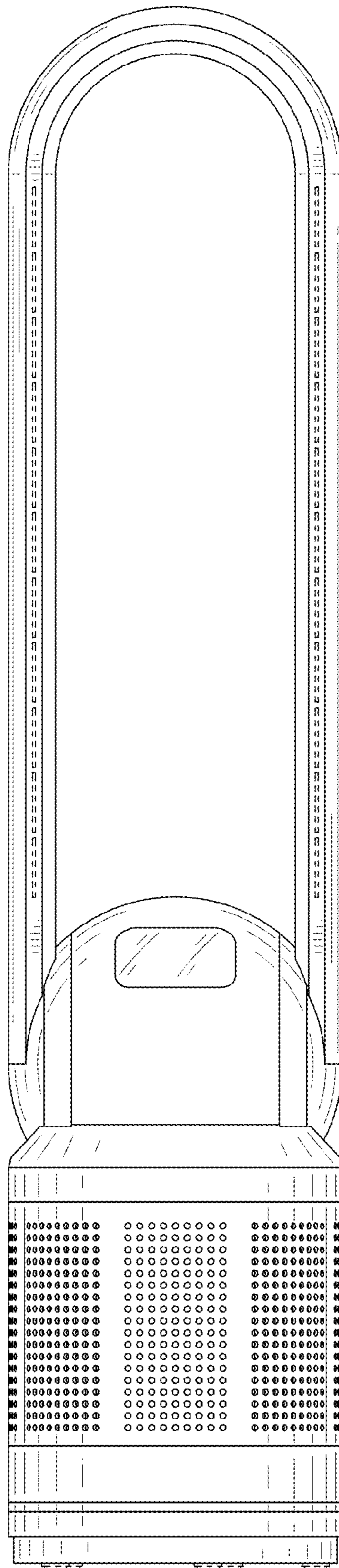


FIG. 3

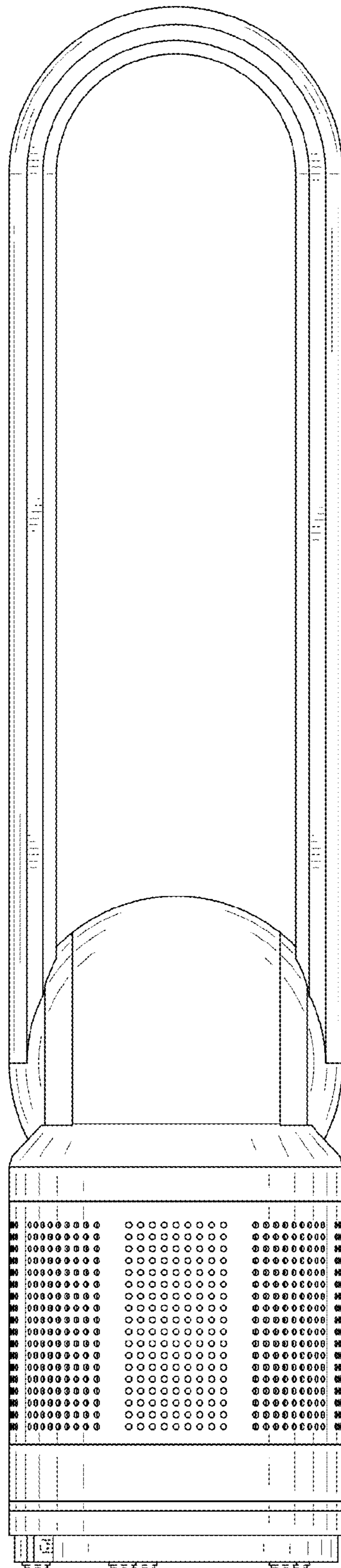


FIG. 4

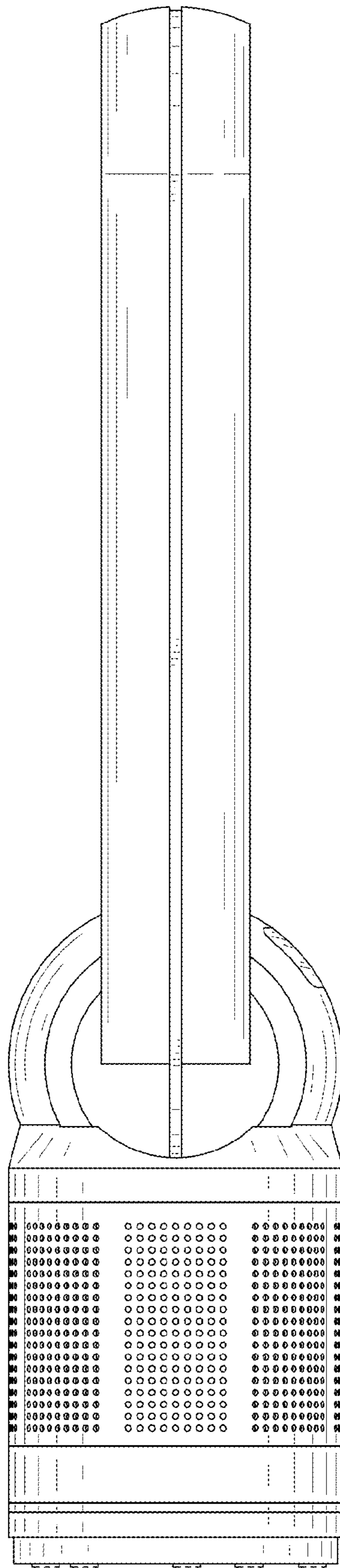


FIG. 5

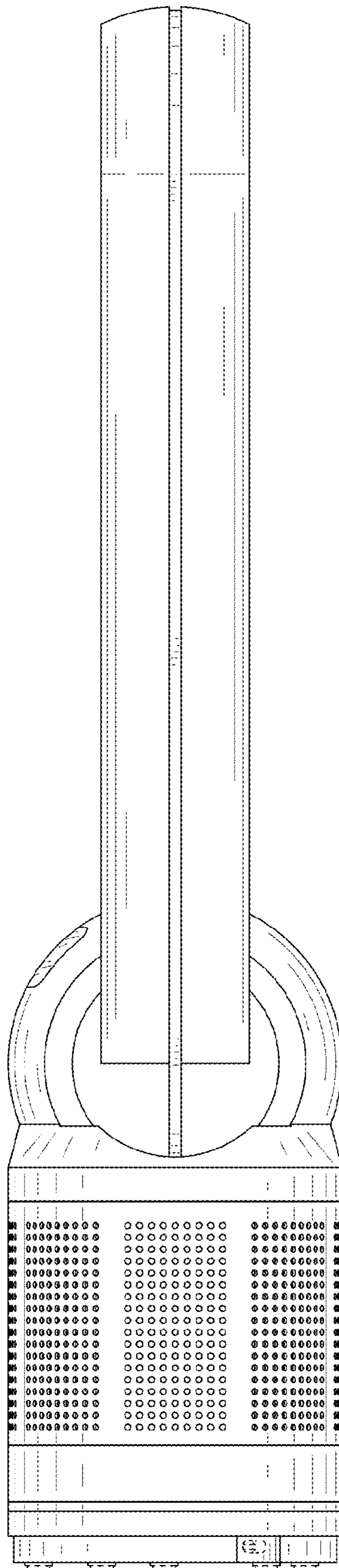


FIG. 6



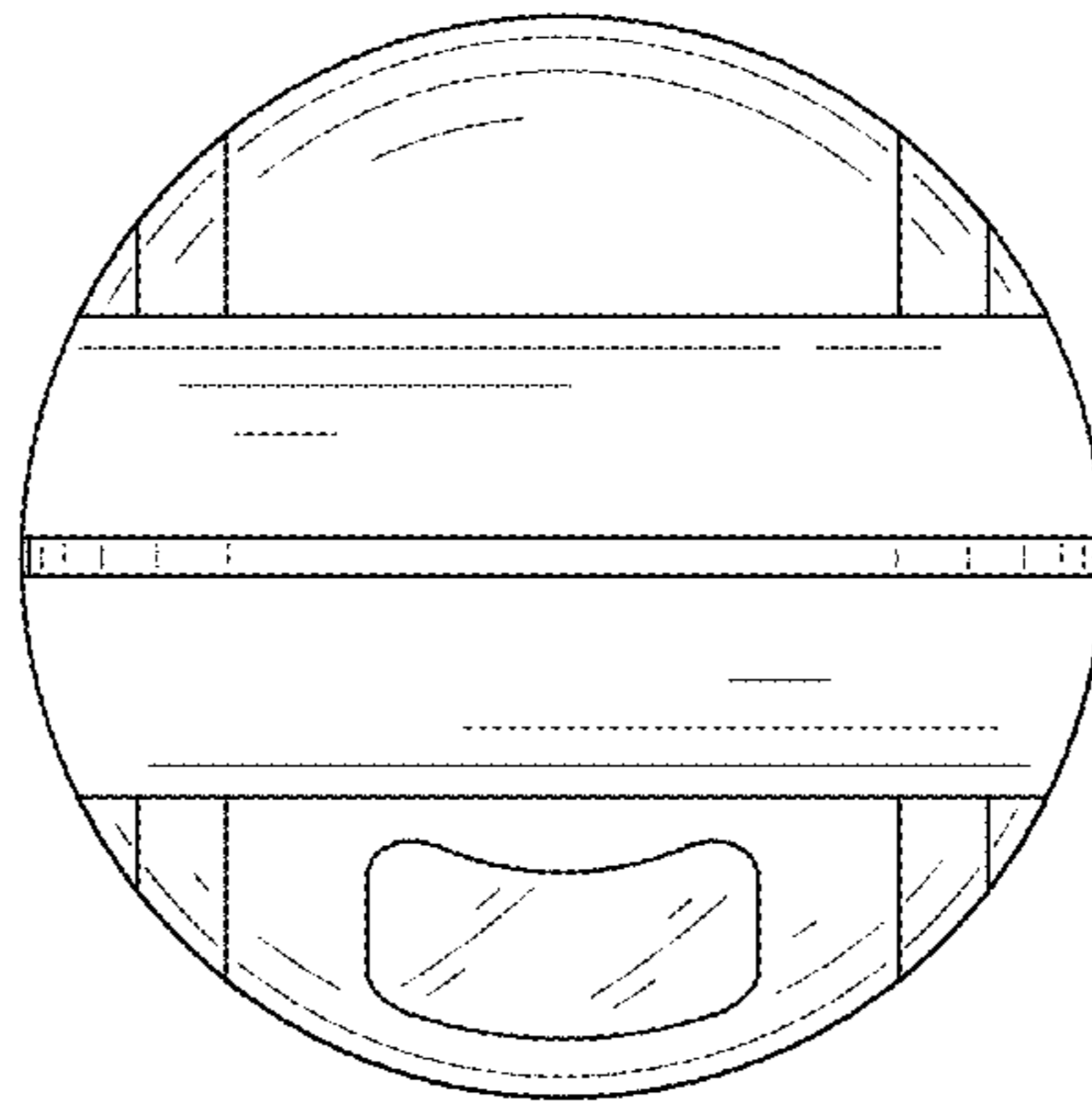


FIG. 7

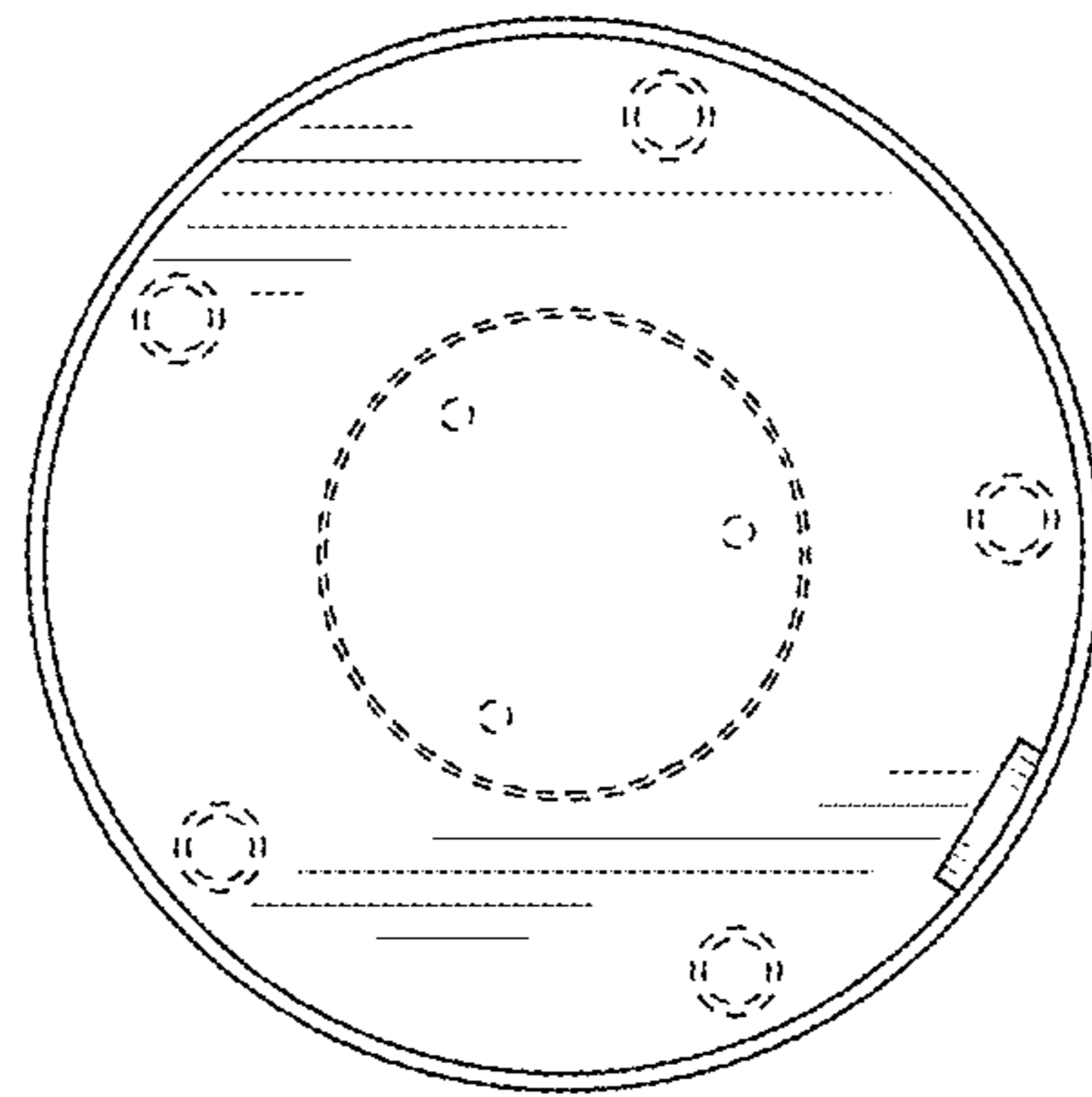


FIG. 8

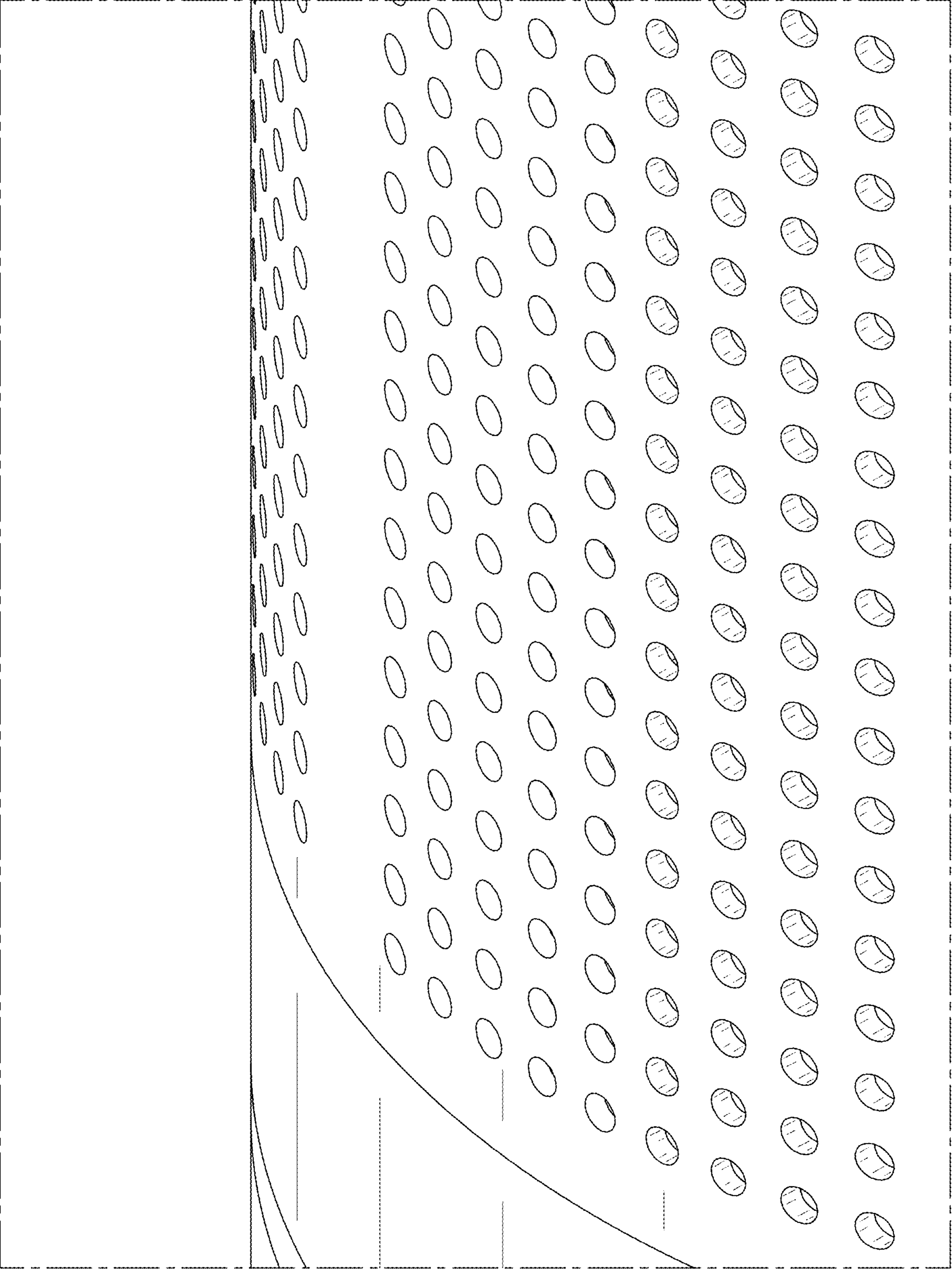


FIG. 9