



US00D930138S

(12) **United States Design Patent** (10) **Patent No.:** **US D930,138 S**
Pawsey (45) **Date of Patent:** **** Sep. 7, 2021**

(54) **AIR FRESHENER**

(71) Applicant: **Custom Accessories Inc.**, Richmond, IL (US)

(72) Inventor: **Mark R. Pawsey**, Canterbury (AU)

(73) Assignee: **Custom Accessories, Inc.**, Richmond, IL (US)

(**) Term: **15 Years**

(21) Appl. No.: **29/703,553**

(22) Filed: **Aug. 28, 2019**

(51) **LOC (13) Cl.** **28-99**

(52) **U.S. Cl.**
USPC **D23/366**

(58) **Field of Classification Search**
USPC D23/209, 355, 356, 358, 359, 360, 364, D23/365, 366; D7/316, 505; D9/435,
(Continued)

(56) **References Cited**

U.S. PATENT DOCUMENTS

D625,797 S * 10/2010 Poves D23/366
D648,018 S * 11/2011 Sordo D23/366
(Continued)

Primary Examiner — John A Voytek

(74) *Attorney, Agent, or Firm* — Leydig, Voit & Mayer, Ltd.

(57) **CLAIM**

The ornamental design for an air freshener, as shown and described.

DESCRIPTION

FIG. 1 is a perspective view taken from the front and top of an air freshener in accordance with a first embodiment of my new design.

FIG. 2 is a perspective view taken from the rear of the air freshener of FIG. 1.

FIG. 3 is a perspective view taken from the front and right side of the air freshener of FIG. 1.

FIG. 4 is a perspective view taken from the front and left side of an air freshener of FIG. 1.

FIG. 5 is a top plan view of the air freshener of FIG. 1.

FIG. 6 is a bottom plan view of the air freshener of FIG. 1.

FIG. 7 is a right side elevation view of the air freshener of FIG. 1.

FIG. 8 is a left side elevation view of the air freshener of FIG. 1.

FIG. 9 is a front elevation view of the air freshener of FIG. 1.

FIG. 10 is a rear elevation view of the air freshener of FIG. 1.

FIG. 11 is a perspective view taken from the front and top of an air freshener in accordance with a second embodiment of my new design.

FIG. 12 is a perspective view taken from the rear of the air freshener of FIG. 11.

FIG. 13 is a perspective view taken from the front and right side of the air freshener of FIG. 11.

FIG. 14 is a perspective view taken from the front and left side of an air freshener of FIG. 11.

FIG. 15 is a top plan view of the air freshener of FIG. 11.

FIG. 16 is a bottom plan view of the air freshener of FIG. 11.

FIG. 17 is a right side elevation view of the air freshener of FIG. 11.

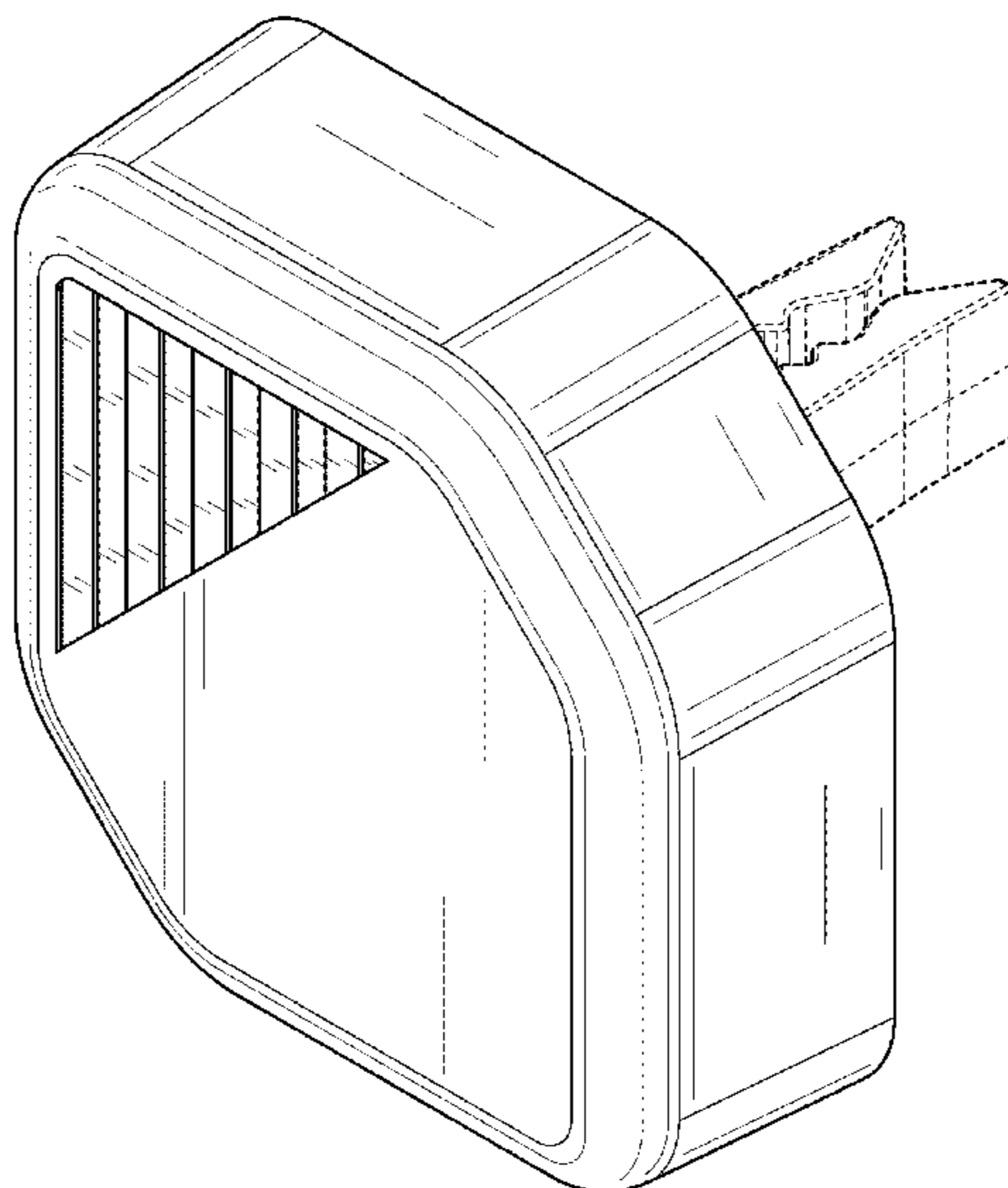
FIG. 18 is a left side elevation view of the air freshener of FIG. 11.

FIG. 19 is a front elevation view of the air freshener of FIG. 11; and,

FIG. 20 is a rear elevation view of the air freshener of FIG. 11.

In the figures, the broken lines depict portions of the air freshener that form no part of the claimed design. The stippled surfaces shown in FIGS. 12 and 20 represent a contrast in materials.

1 Claim, 20 Drawing Sheets



(58) **Field of Classification Search**

USPC D9/444, 504, 519, 529, 686; D11/131.1;
D28/89; D99/5; D2/717, 720, 731, 739,
D2/840

CPC . A61L 9/03; A61L 9/012; A61L 9/015; A61L
9/037; F41J 1/01

See application file for complete search history.

(56) **References Cited**

U.S. PATENT DOCUMENTS

D663,816 S *	7/2012	Tebe Poves	D23/366
D694,382 S *	11/2013	Brandenburg	D23/366
D698,431 S *	1/2014	Garbusi	D23/366
D709,172 S *	7/2014	Brandenburg	D23/366
D816,201 S	4/2018	Goddard	
D829,318 S *	9/2018	Wu	D23/366
D889,627 S *	7/2020	Brandenburg	D23/366

* cited by examiner

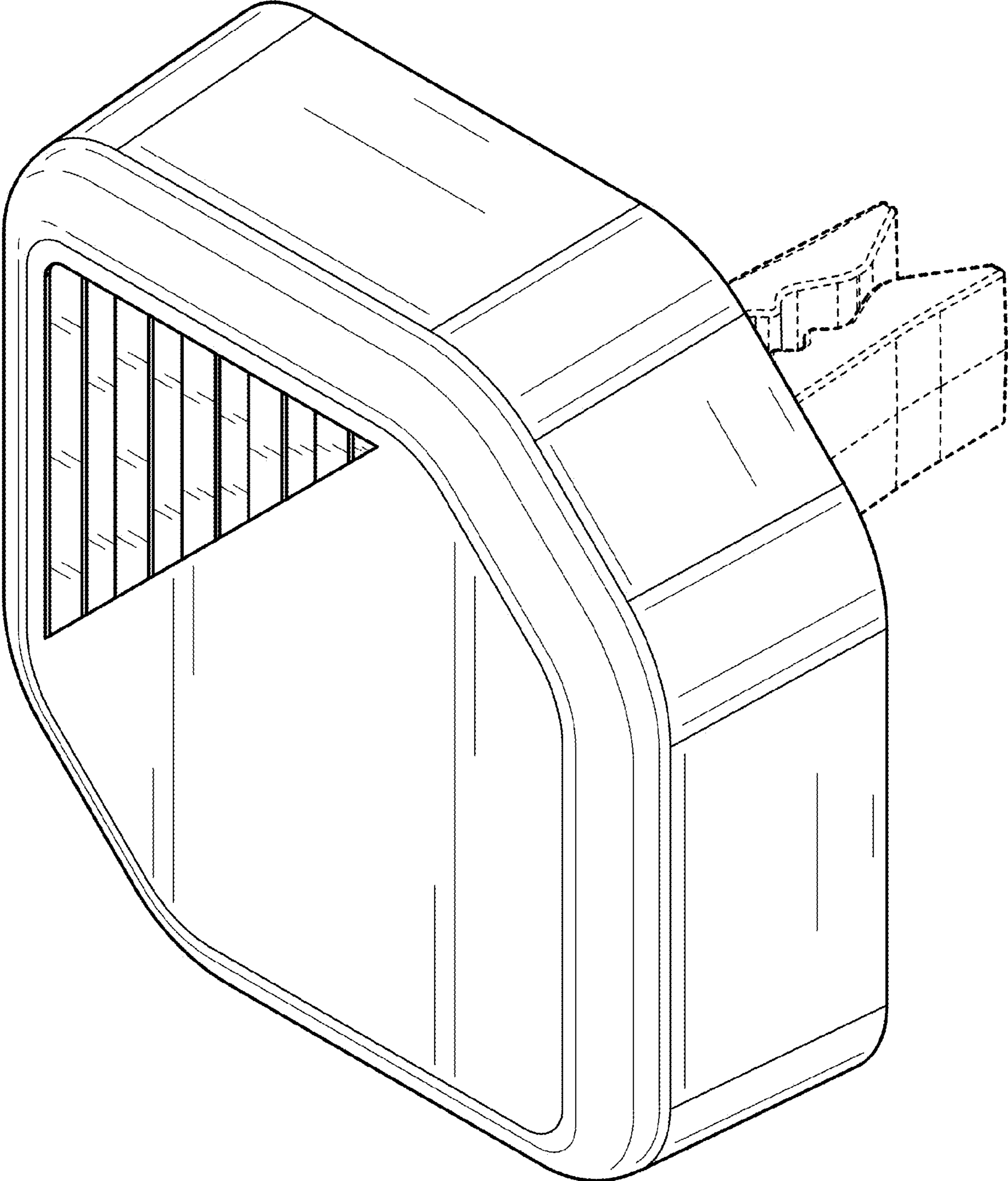


FIG. 1

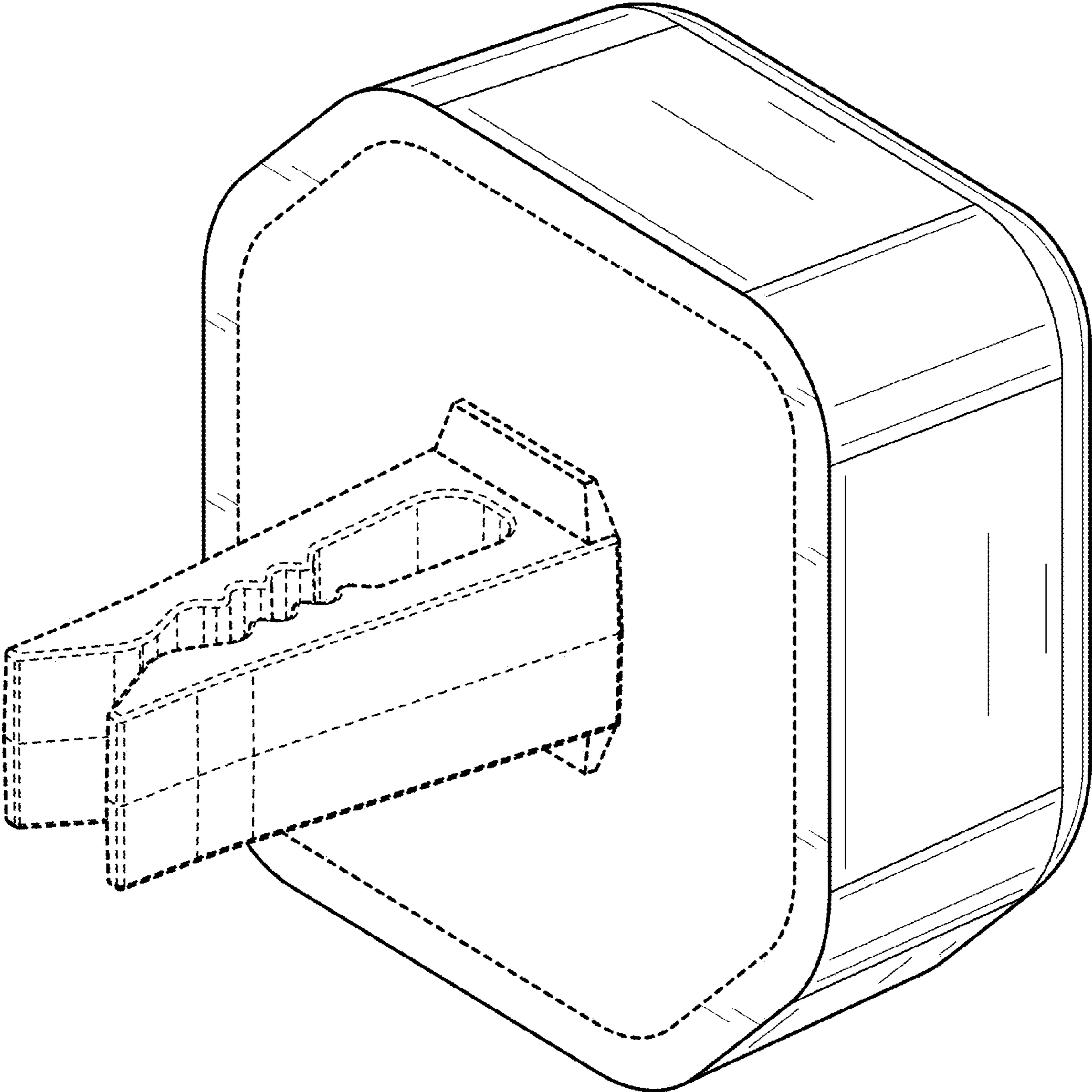


FIG. 2

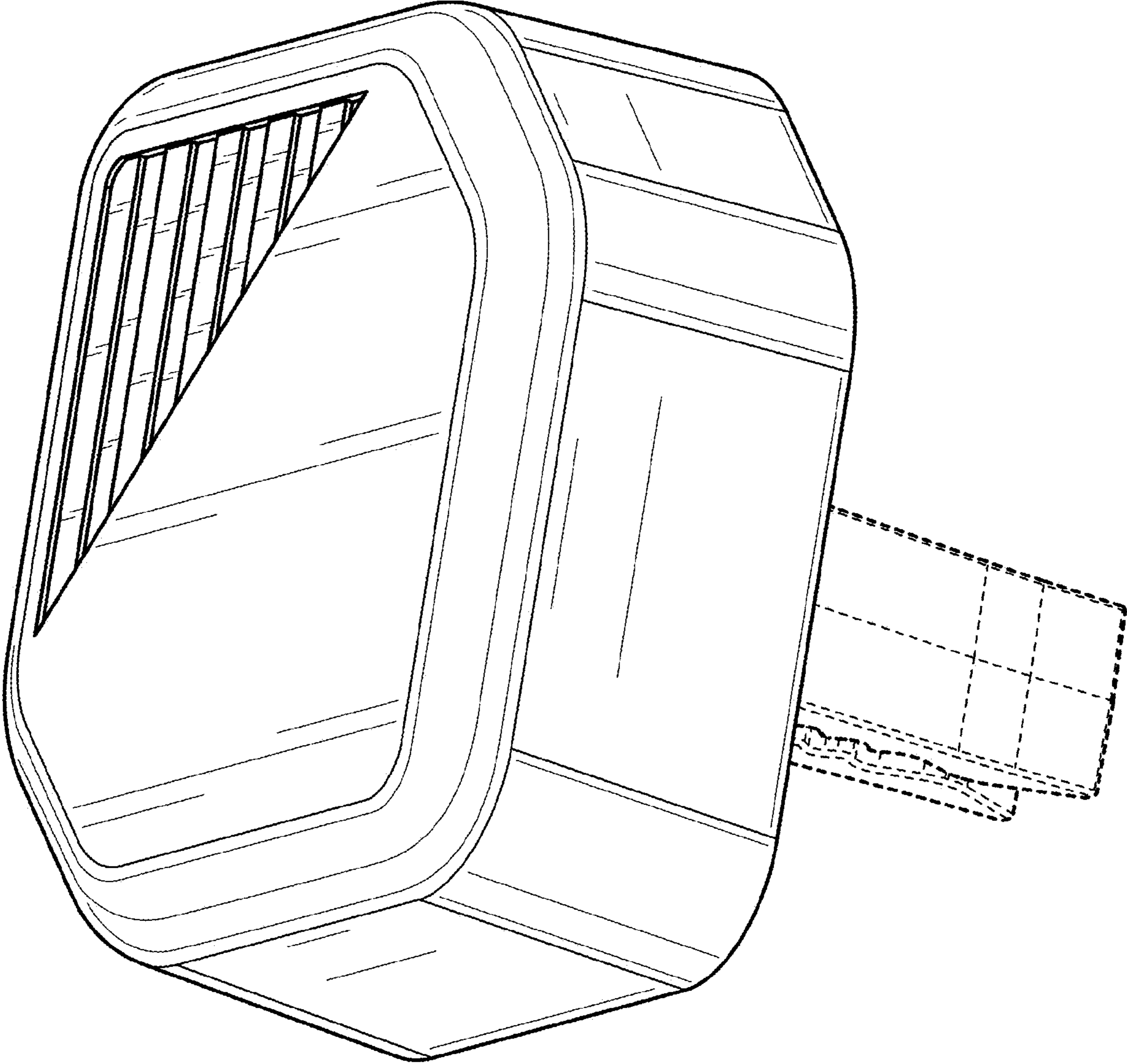


FIG. 3

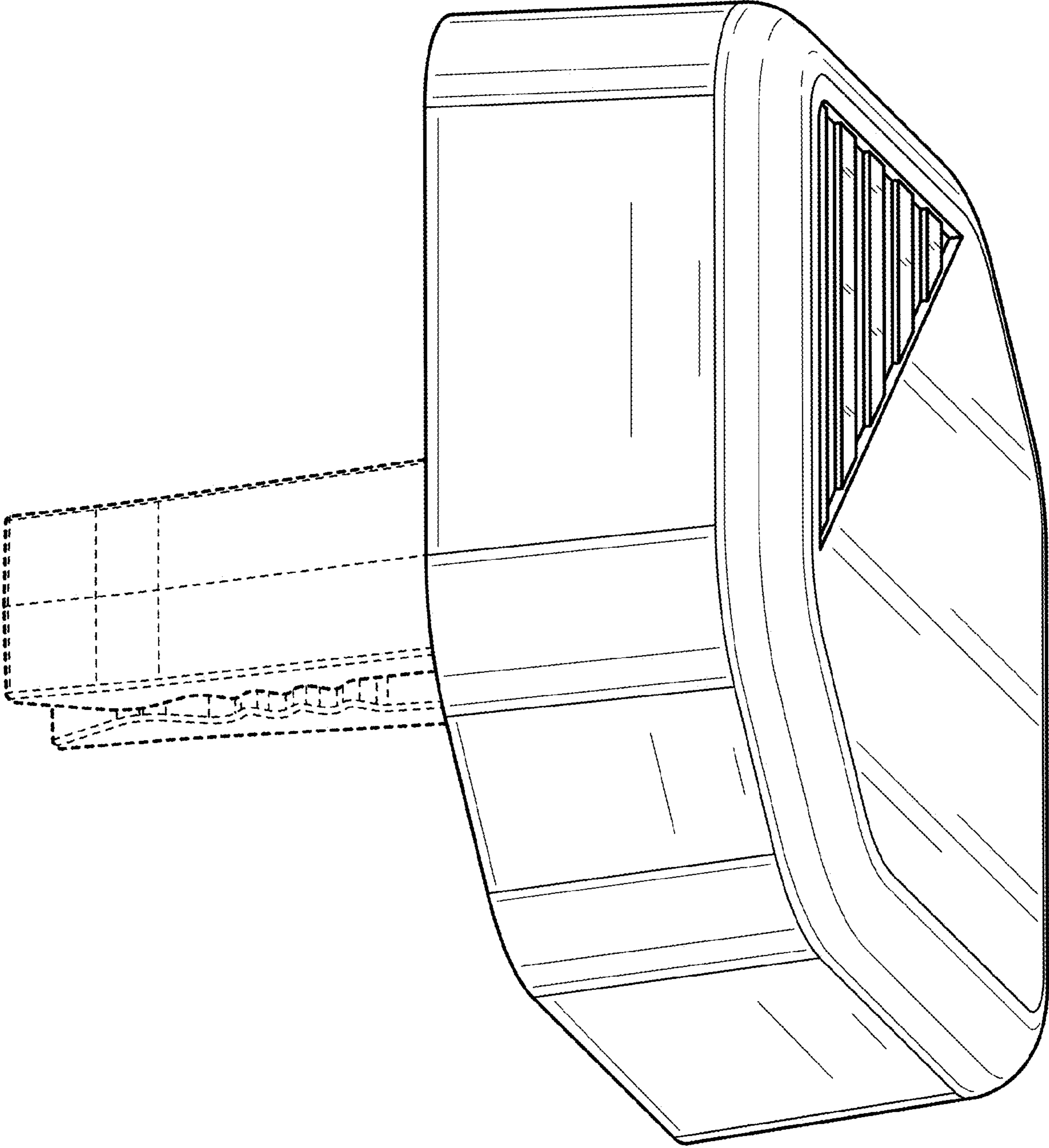


FIG. 4

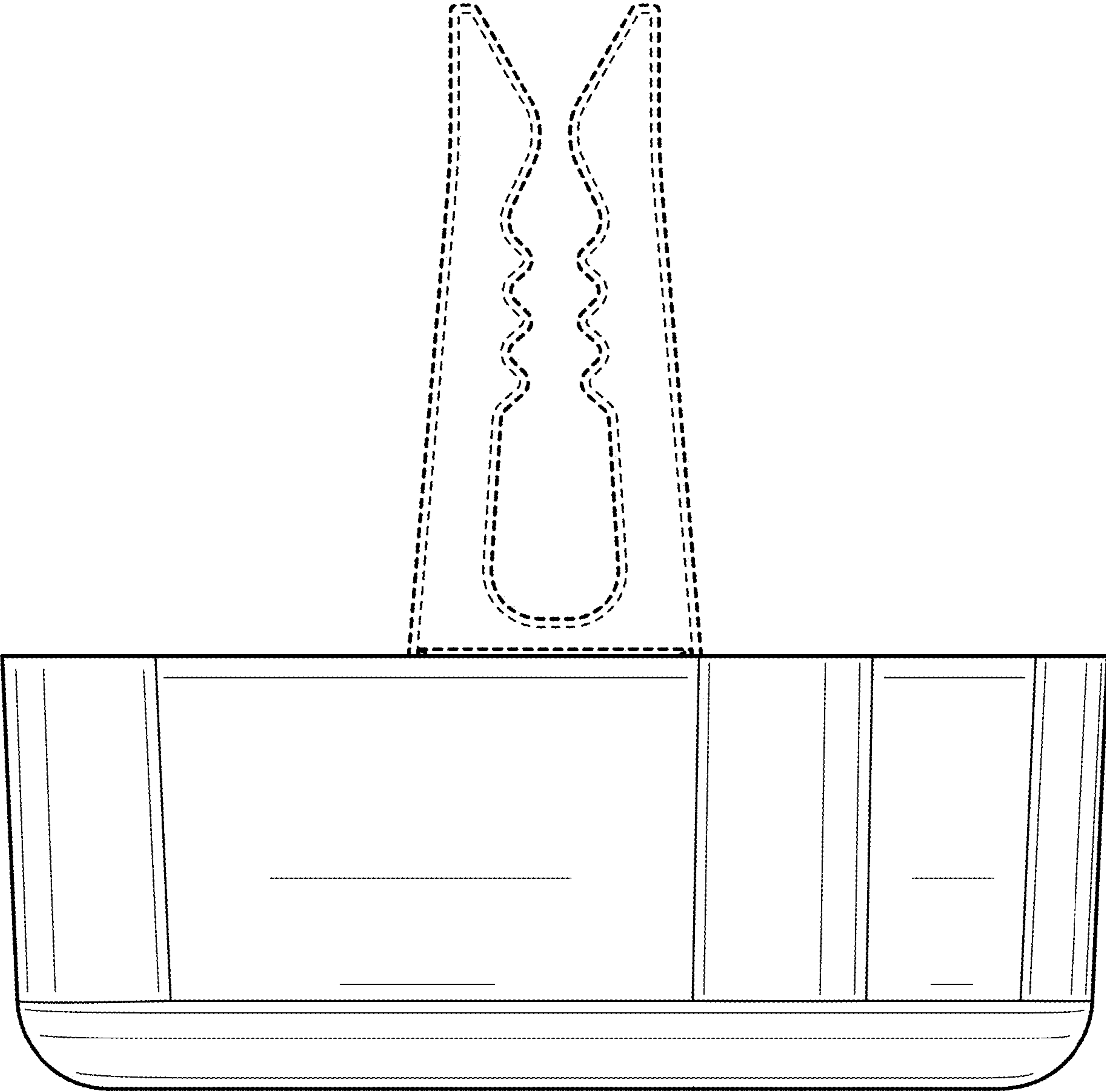


FIG. 5

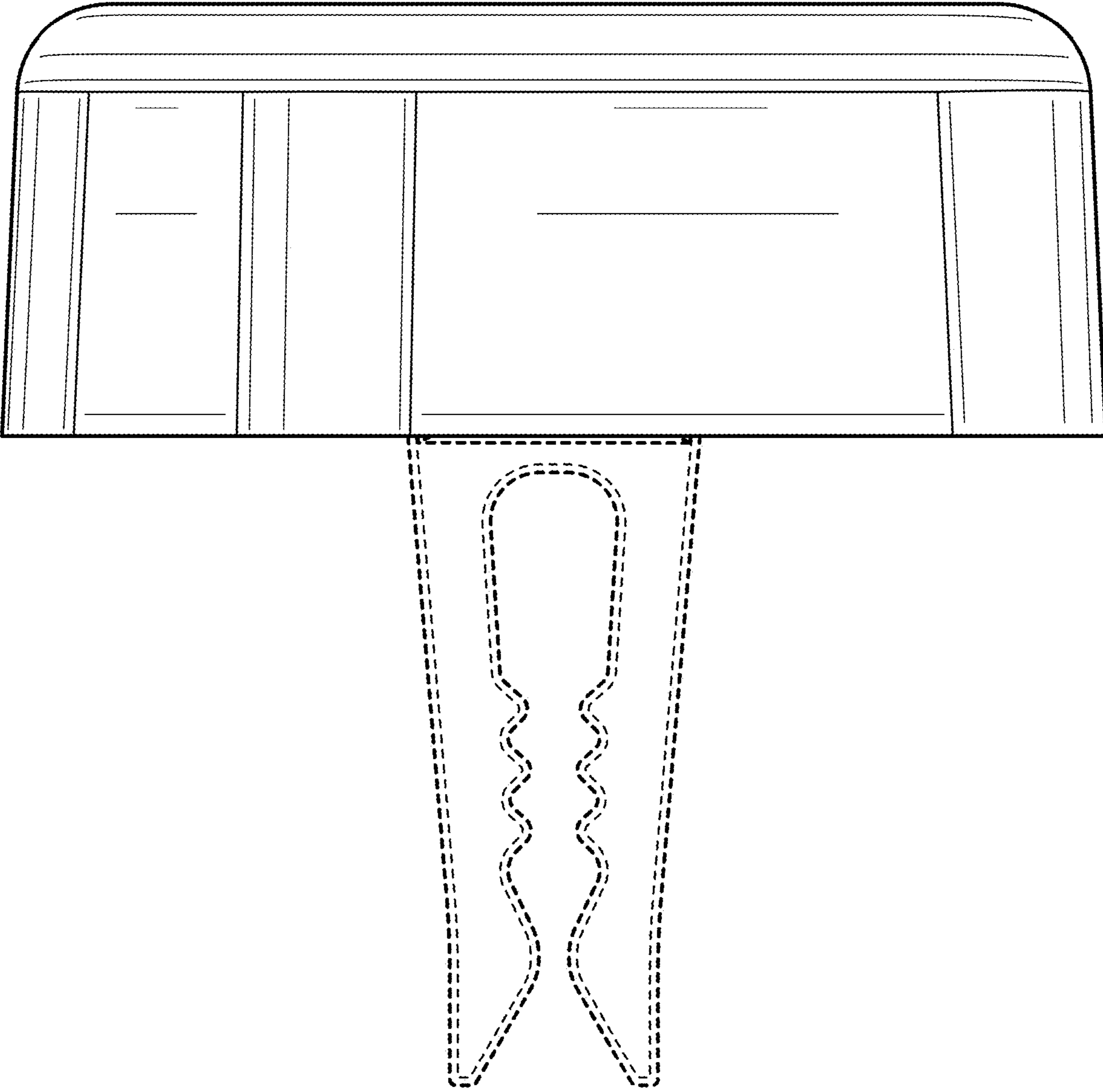


FIG. 6

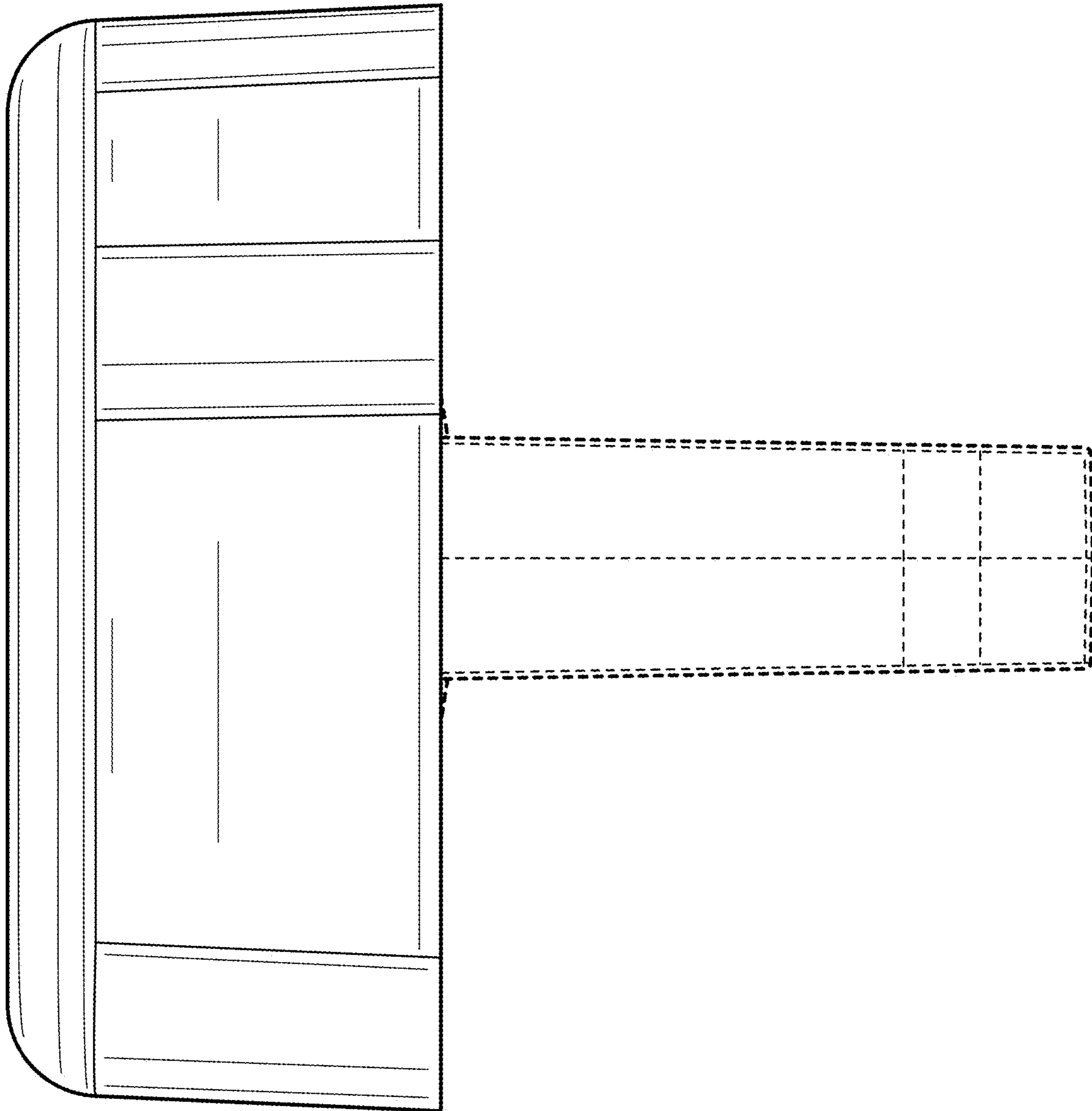


FIG. 7

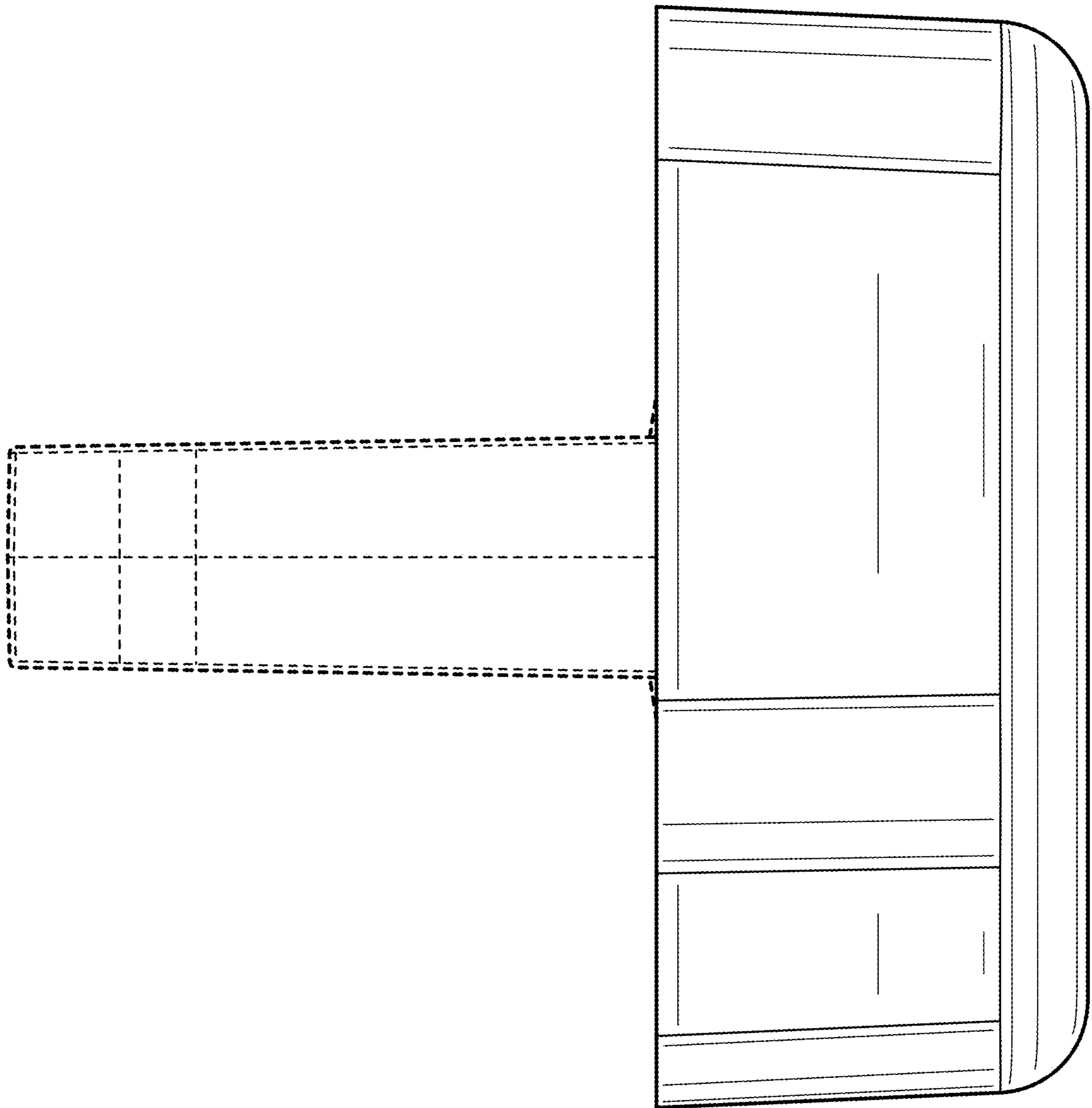


FIG. 8

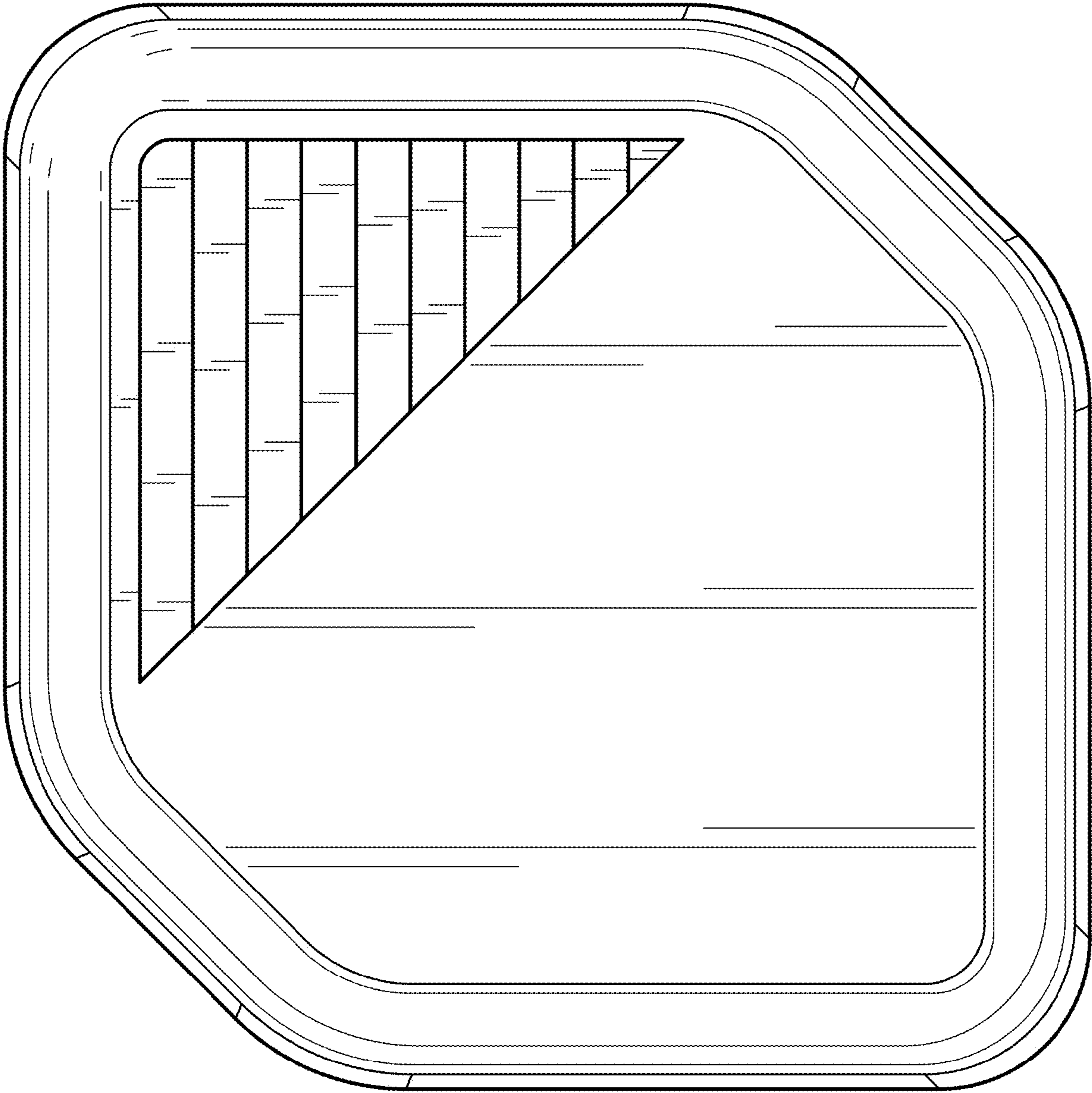


FIG. 9

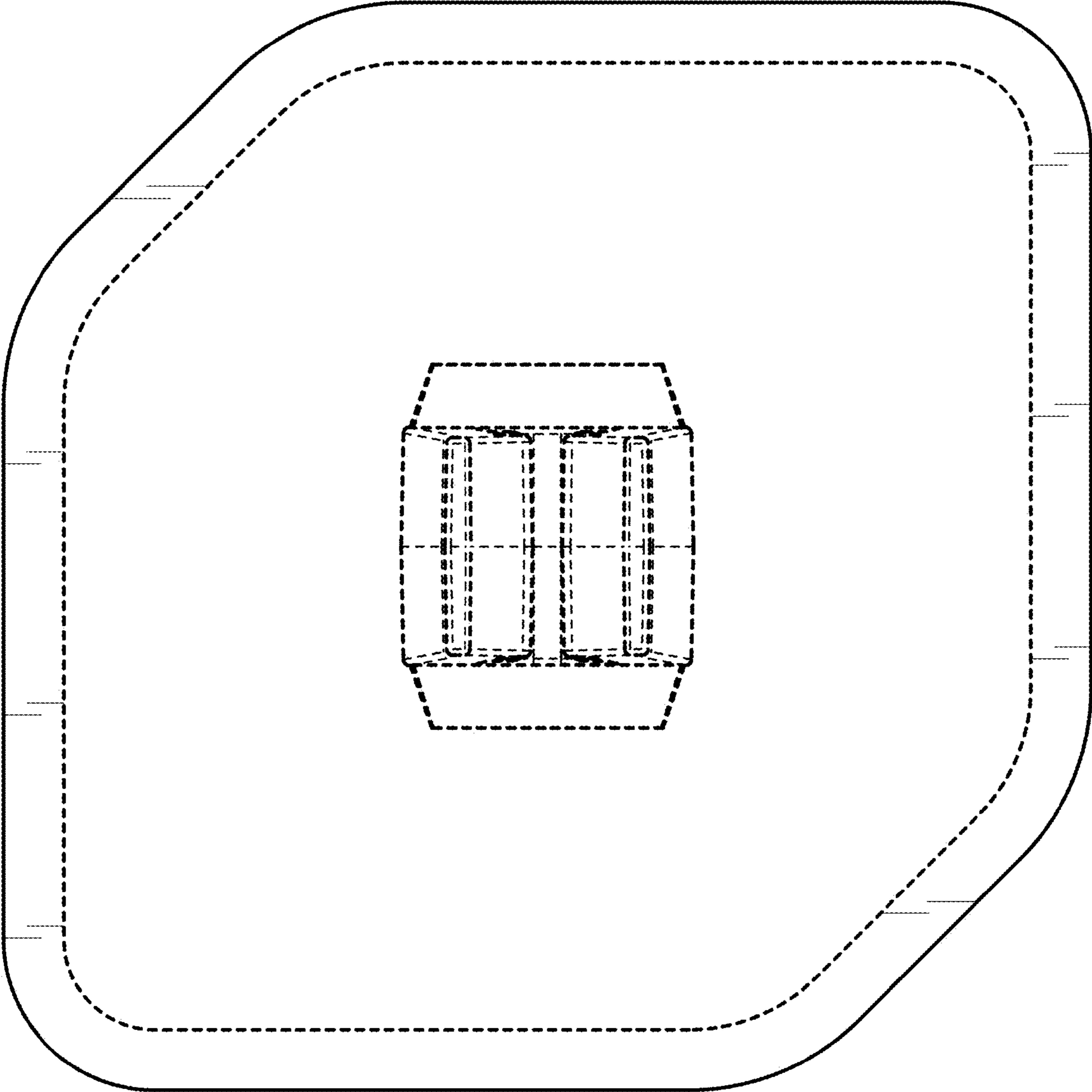


FIG. 10

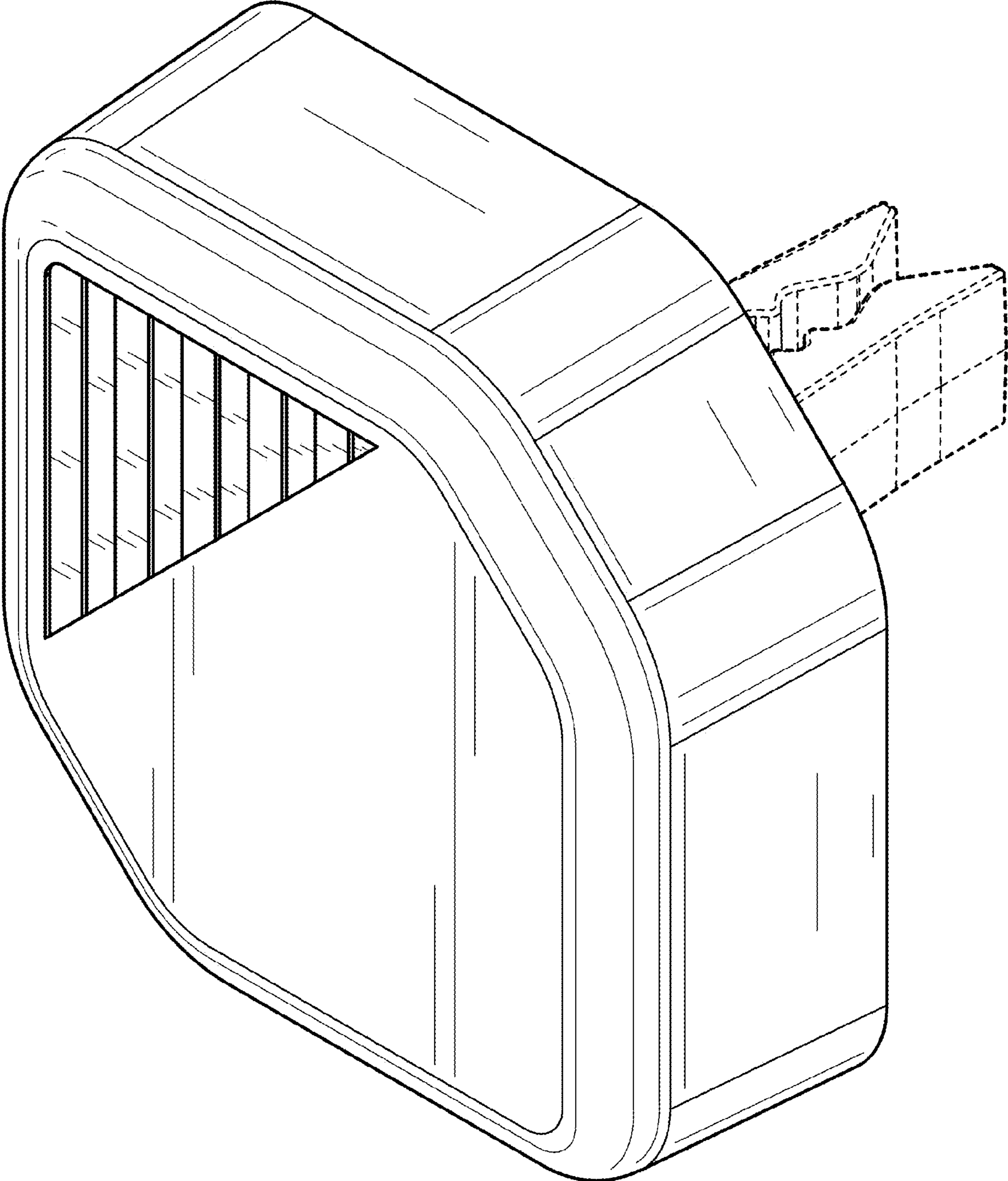


FIG. 11

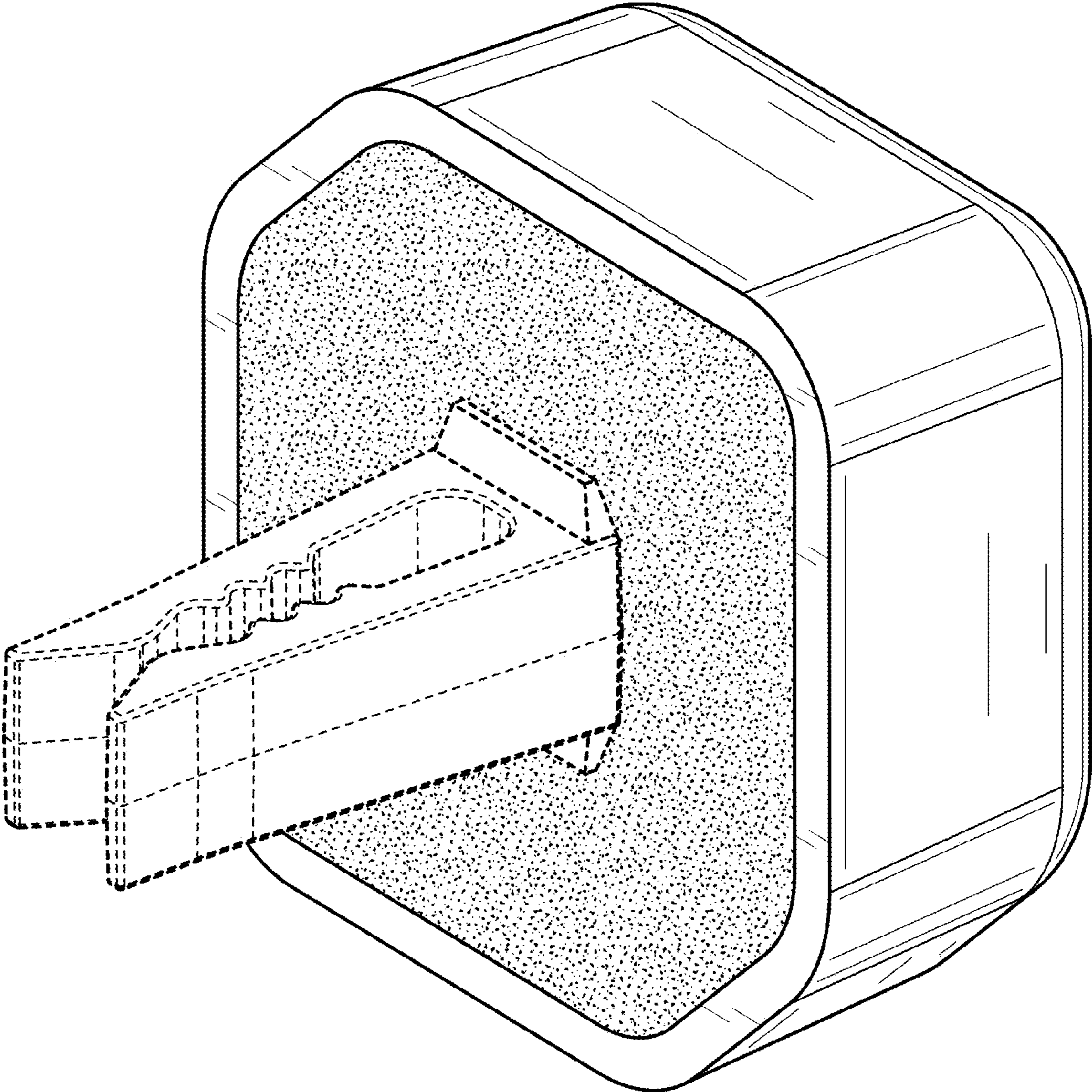


FIG. 12

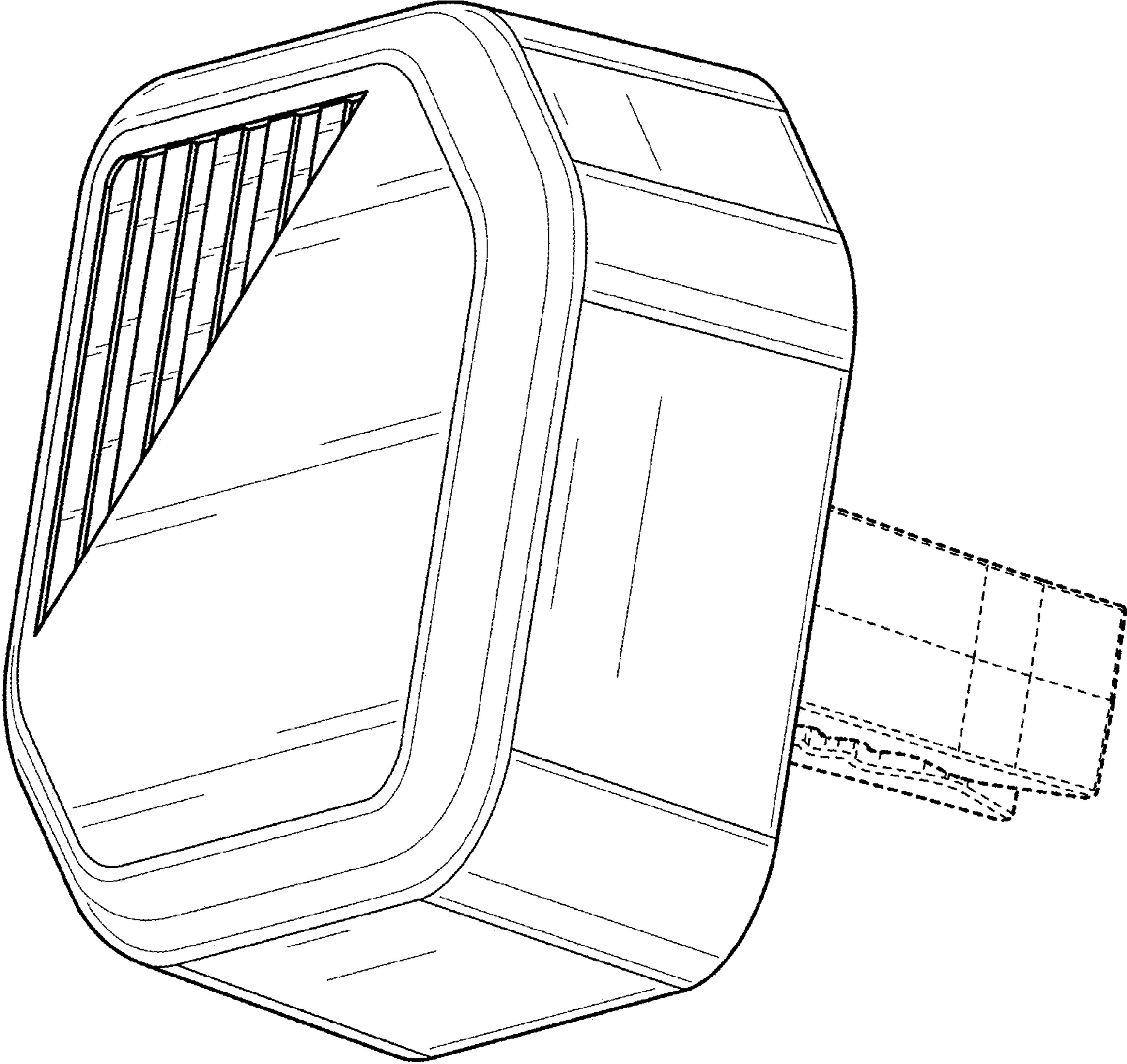


FIG. 13

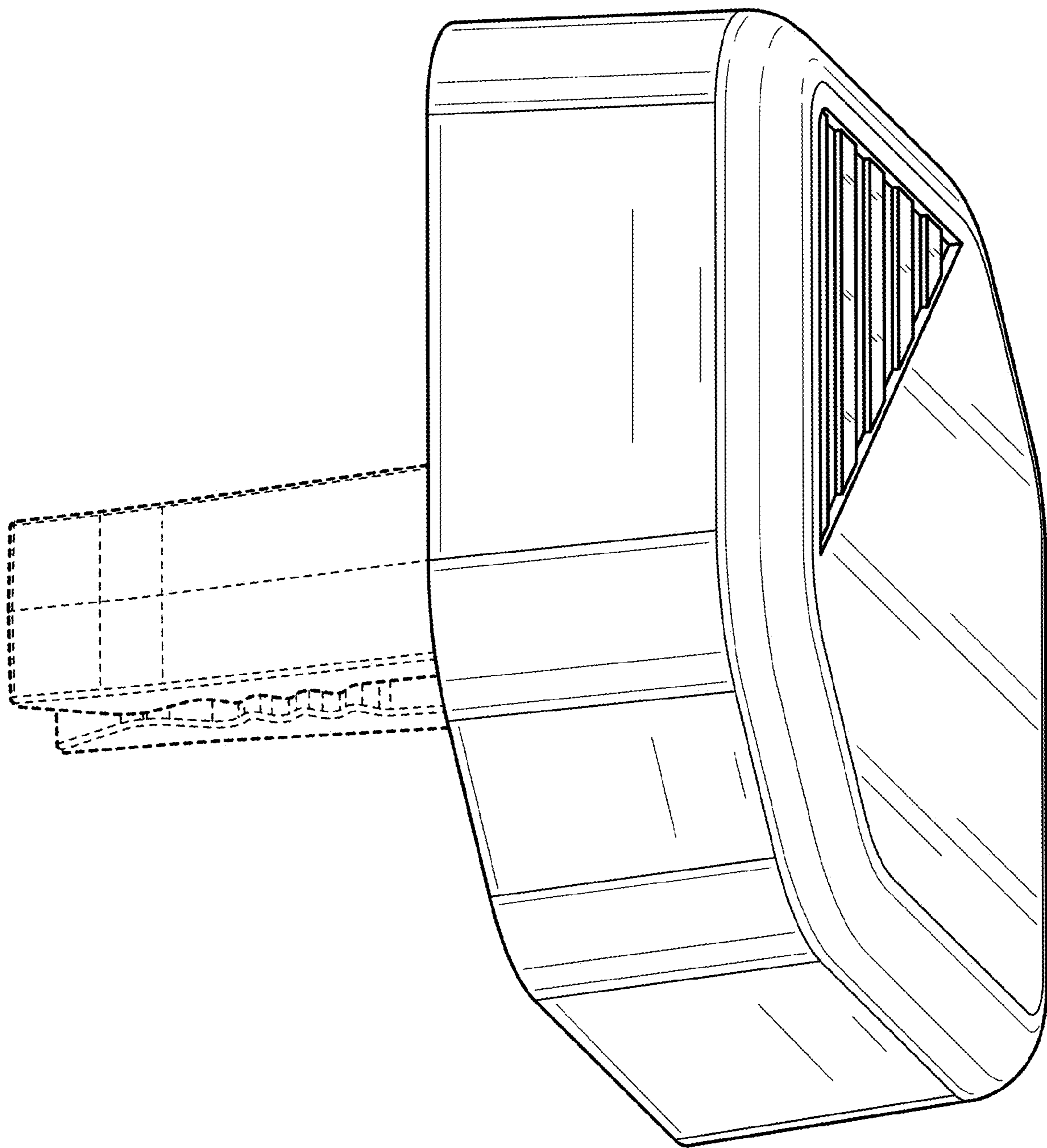


FIG. 14

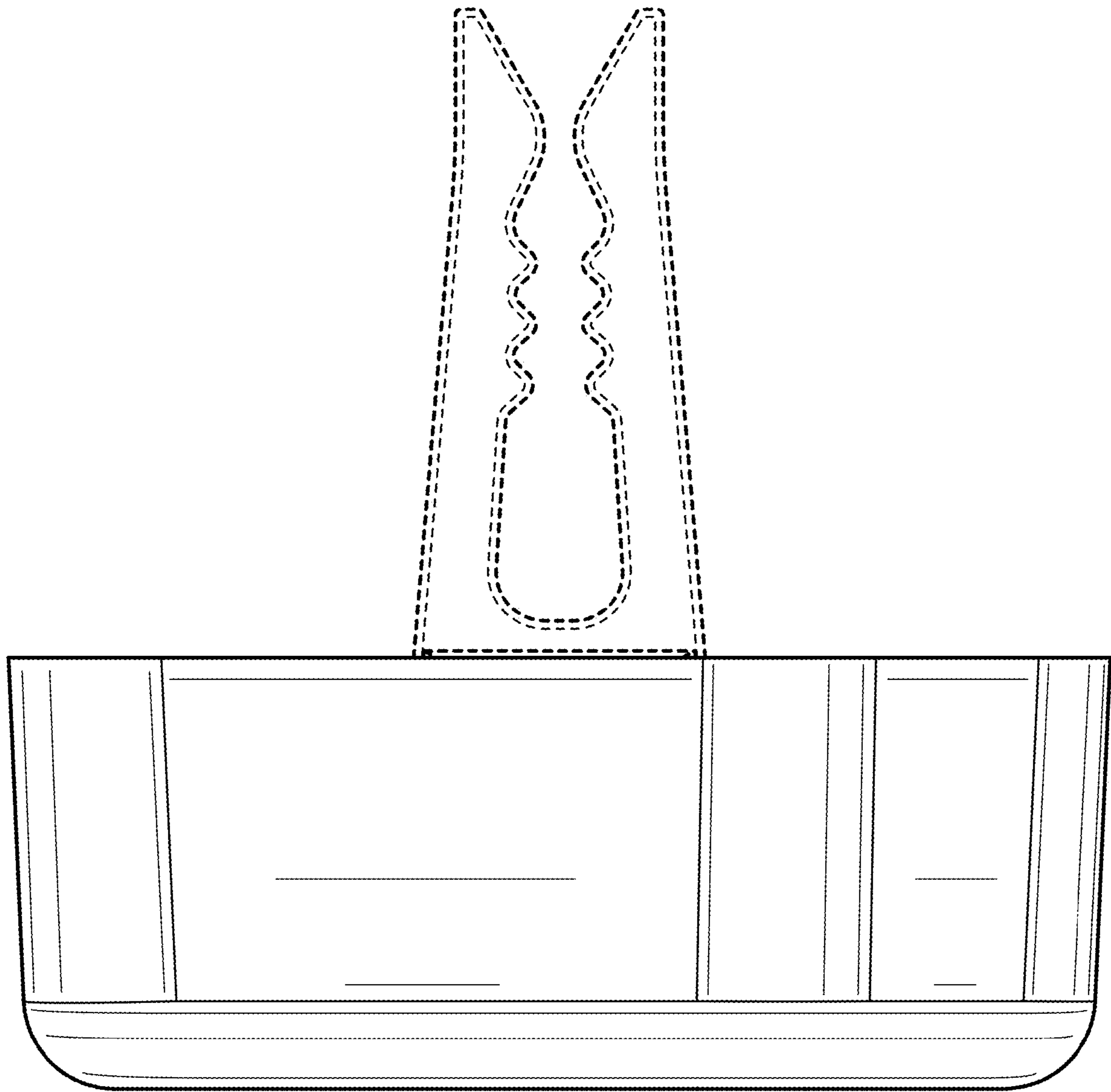


FIG. 15

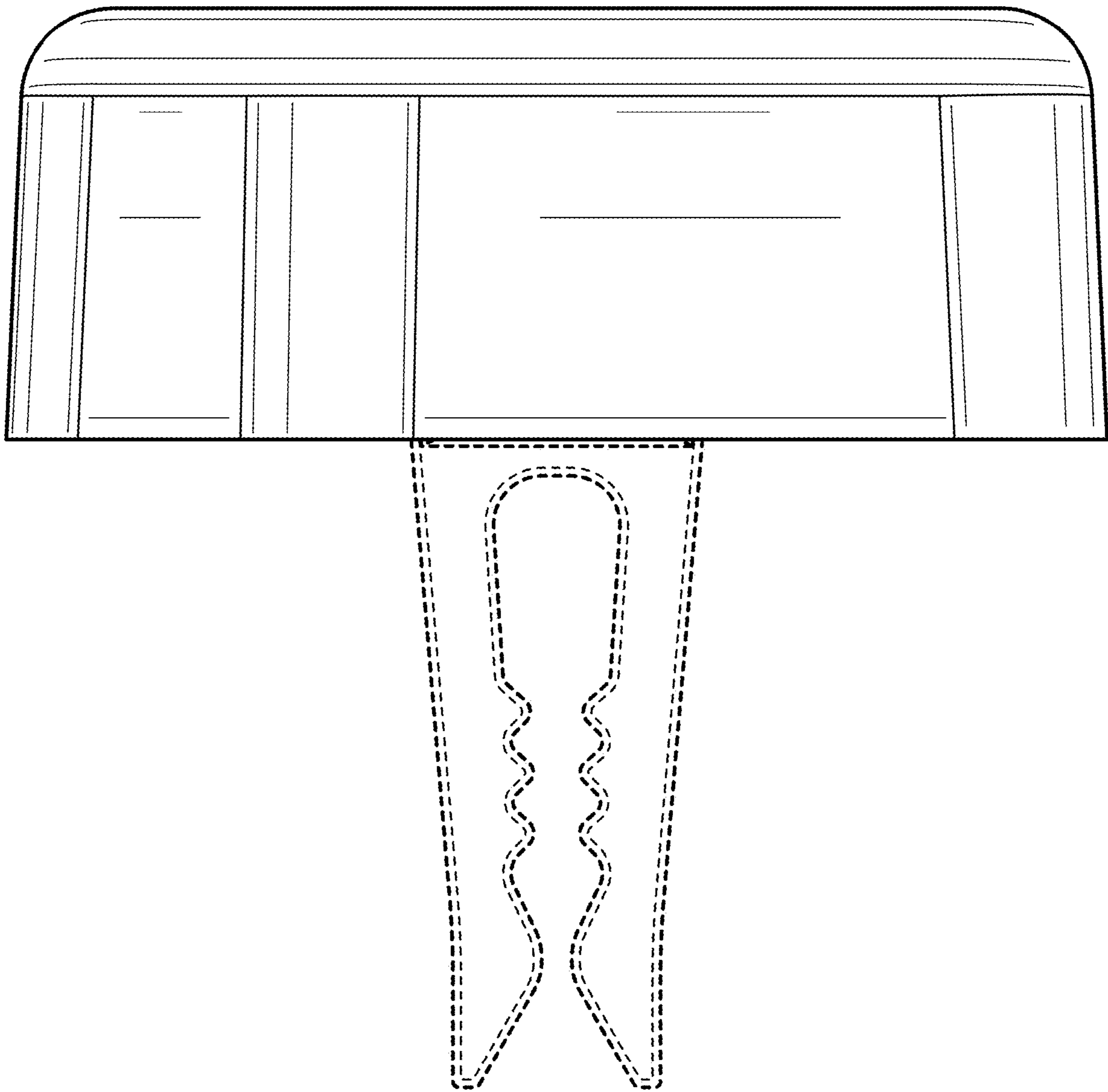


FIG. 16

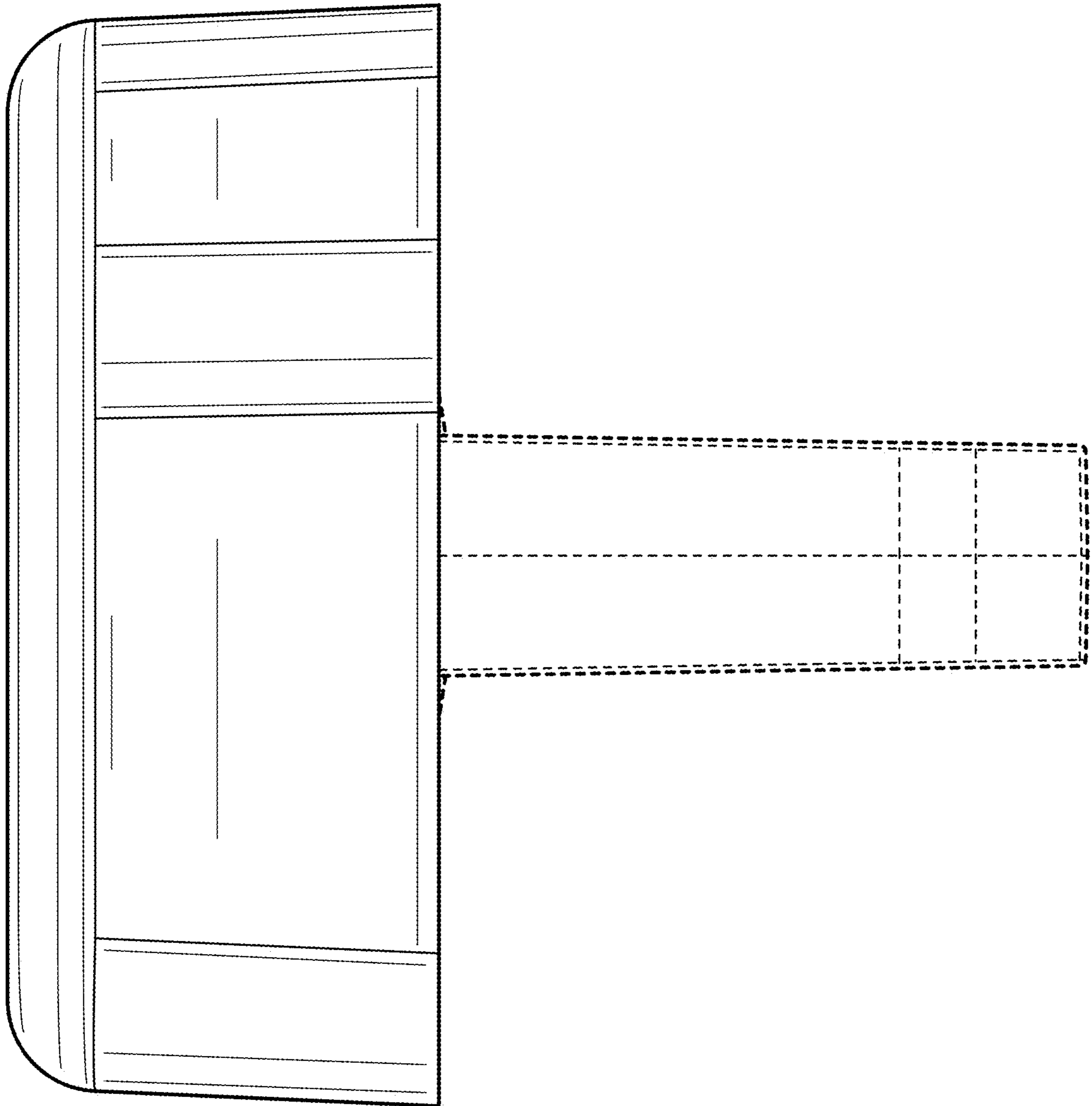


FIG. 17

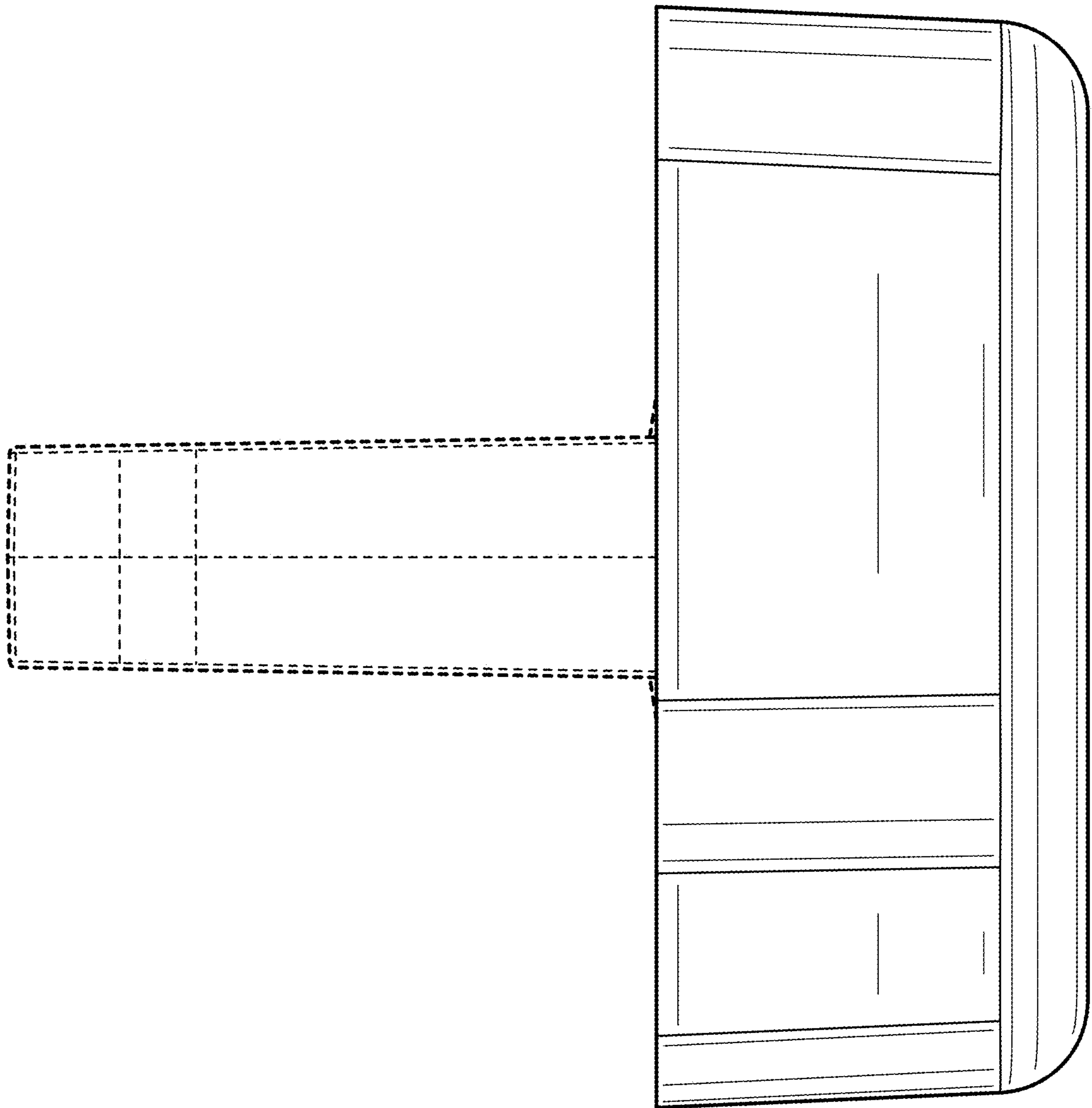


FIG. 18

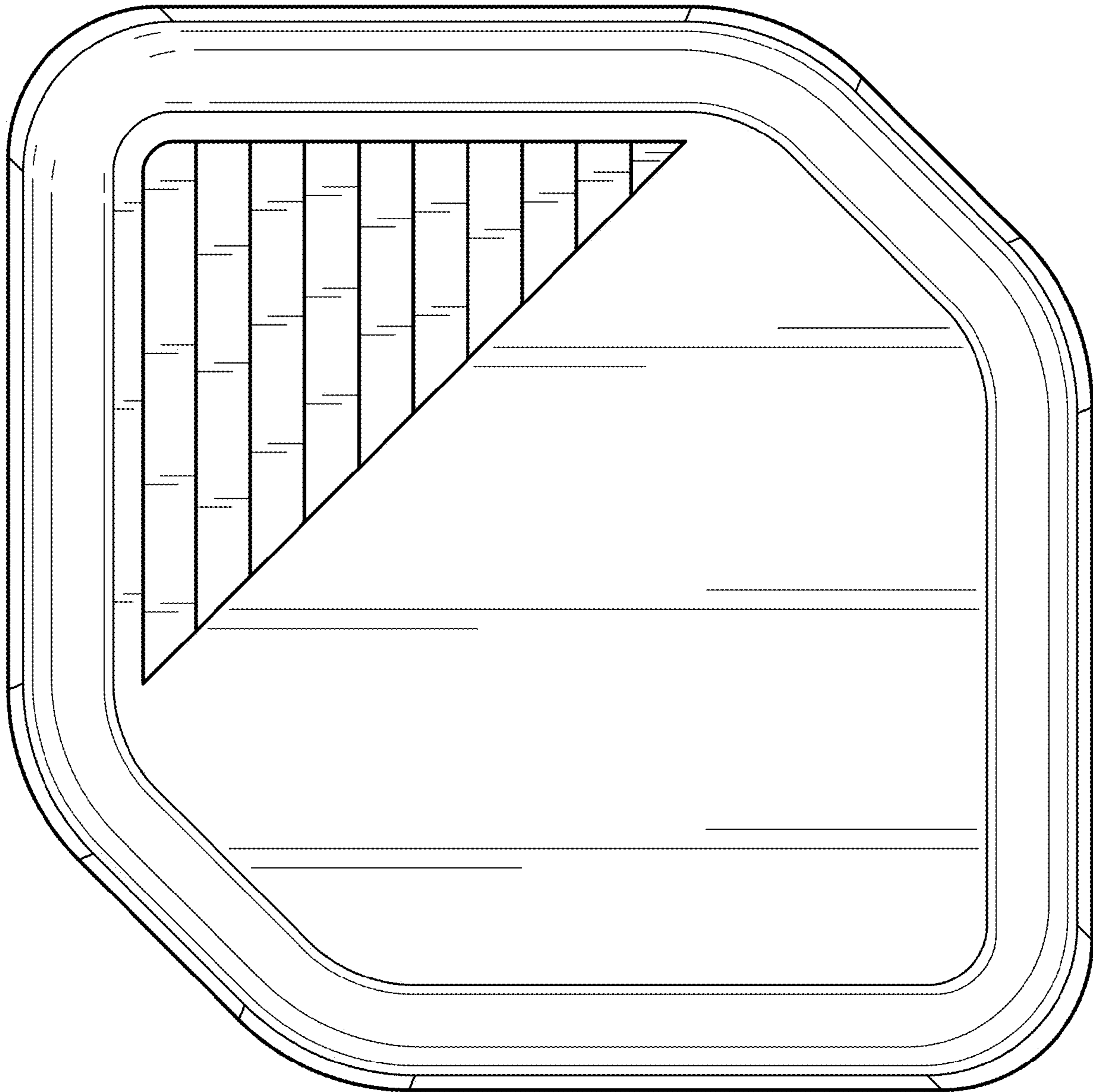


FIG. 19

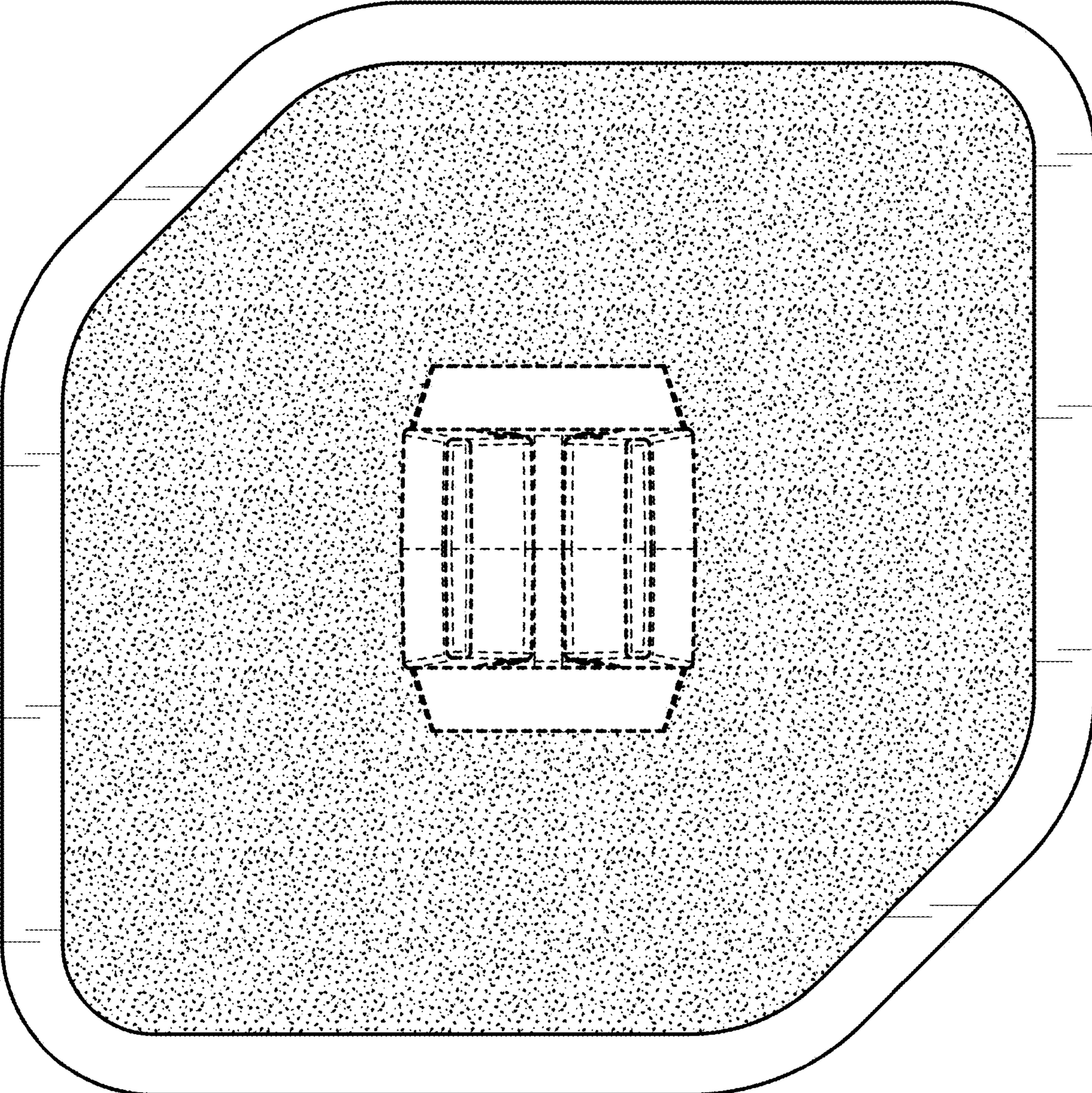


FIG. 20