



US00D930136S

(12) **United States Design Patent** (10) **Patent No.:** **US D930,136 S**
Knight et al. (45) **Date of Patent:** **** Sep. 7, 2021**

(54) **FILTER ELEMENT**

FOREIGN PATENT DOCUMENTS

(71) Applicant: **Cummins Filtration IP, Inc.**,
Columbus, IN (US)

BR 3020180025504 6/2018
CN 202538551 U 11/2012

(Continued)

(72) Inventors: **Jessie A. Knight**, Oregon, WI (US);
Scott G. Manke, Sun Prairie, WI (US)

OTHER PUBLICATIONS

(73) Assignee: **CUMMINS FILTRATION IP, INC.**,
Columbus, IN (US)

Office Action for U.S. Appl. No. 16/115,040 dated Jun. 22, 2020, 11 pages.

(Continued)

(**) Term: **15 Years**

Primary Examiner — John A Voytek

(21) Appl. No.: **29/733,863**

(74) *Attorney, Agent, or Firm* — Foley & Lardner LLP

(22) Filed: **May 7, 2020**

(57) **CLAIM**

We claim the ornamental design for a filter element, as shown and described.

Related U.S. Application Data

DESCRIPTION

(62) Division of application No. 29/646,936, filed on May 8, 2018, now Pat. No. Des. 884,866.

(51) **LOC (13) Cl.** **23-04**

(52) **U.S. Cl.**
USPC **D23/365**

(58) **Field of Classification Search**
USPC D23/209, 314, 325, 333–336, 355–366,
D23/386–388

CPC Y10T 428/1366; B32B 2597/00; B01D 46/00; B01D 46/0004; B01D 27/04; F25D 17/042; A61L 9/01

See application file for complete search history.

FIG. 1 is a bottom perspective view of the claimed design, according to a first embodiment;
FIG. 2 is a top perspective view thereof;
FIG. 3 is a bottom plan view thereof;
FIG. 4 is a top plan view thereof;
FIG. 5 is a front elevation view thereof;
FIG. 6 is a rear elevation view thereof;
FIG. 7 is a left side elevation view thereof; and
FIG. 8 is a right side elevation view thereof;
FIG. 9 is a bottom perspective view of the claimed design, according to a second embodiment;
FIG. 10 is a top perspective view thereof;
FIG. 11 is a bottom plan view thereof;
FIG. 12 is a top plan view thereof;
FIG. 13 is a front elevation view thereof;
FIG. 14 is a rear elevation view thereof;
FIG. 15 is a left side elevation view thereof; and,
FIG. 16 is a right side elevation view thereof.
The broken lines formed by dashes show unclaimed subject matter and form no part of the claimed design.

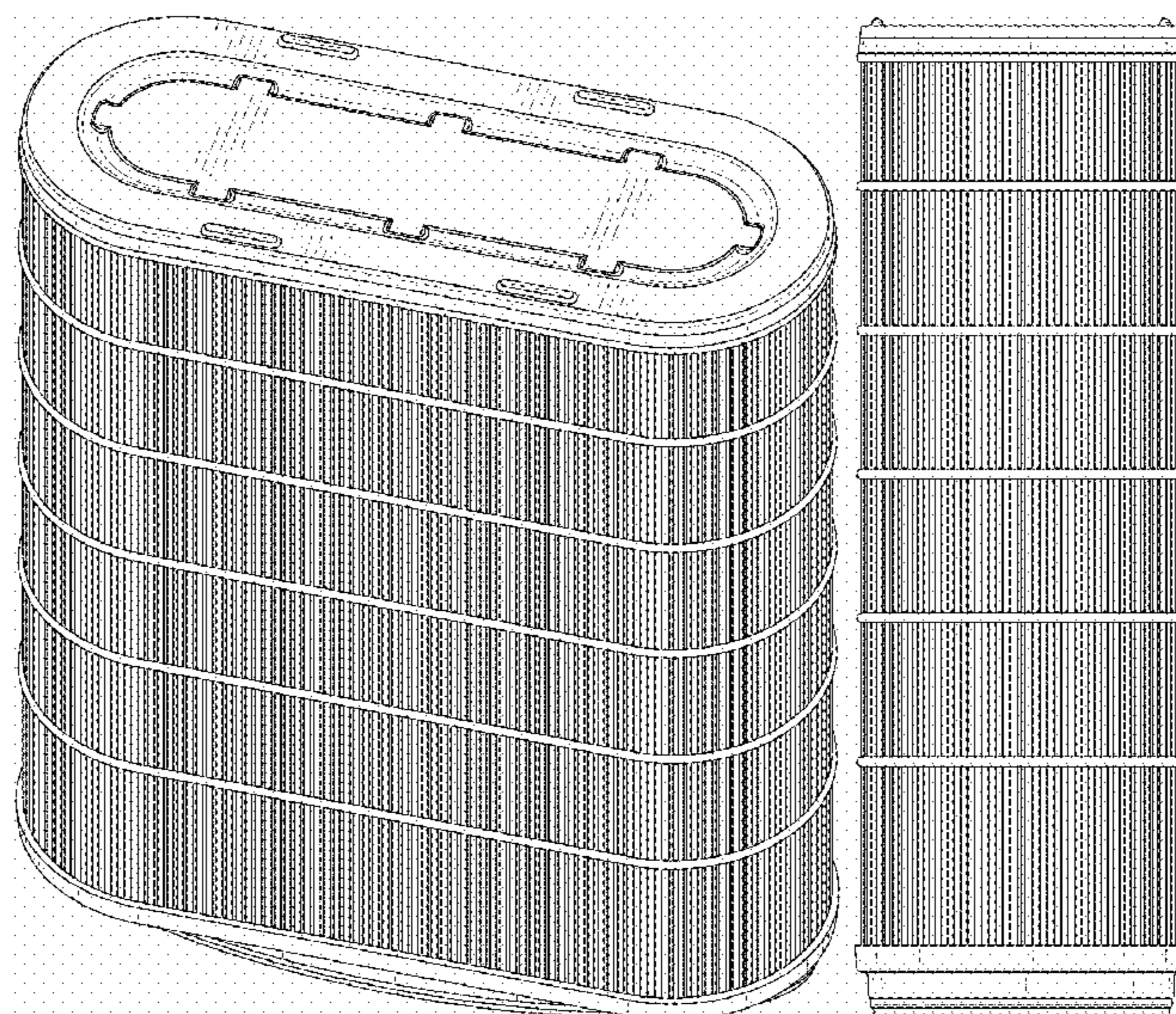
(56) **References Cited**

U.S. PATENT DOCUMENTS

2,108,283 A 5/1935 Drew et al.
3,295,687 A 1/1967 Schmerler
3,786,926 A 1/1974 Wilhelm
4,613,438 A 9/1986 DeGraffenreid
4,916,001 A 4/1990 Whittenberger et al.
D326,706 S 6/1992 Karlsson

(Continued)

1 Claim, 14 Drawing Sheets



(56)

References Cited

U.S. PATENT DOCUMENTS

5,609,761 A 3/1997 Franz
 5,800,580 A 9/1998 Feldt
 5,803,941 A 9/1998 Berkhoel et al.
 5,954,849 A 9/1999 Berkhoel et al.
 D437,402 S * 2/2001 Gieseke D23/365
 6,197,191 B1 3/2001 Wobben
 D449,102 S * 10/2001 Shin A61L 9/12
 D23/366
 6,364,921 B1 4/2002 Raether et al.
 6,387,162 B1 5/2002 Kosmider et al.
 6,398,836 B1 6/2002 Frankle
 6,485,544 B1 11/2002 Ziske
 6,488,746 B1 12/2002 Kosmider et al.
 D475,781 S 6/2003 Mattsson et al.
 D483,459 S 12/2003 DeWit et al.
 D484,584 S 12/2003 Anderson et al.
 D497,202 S 10/2004 Carter et al.
 D499,177 S 11/2004 Kosmider et al.
 6,902,598 B2 6/2005 Gunderson et al.
 6,966,940 B2 11/2005 Krisko et al.
 D525,120 S 7/2006 Maskell et al.
 D545,396 S 6/2007 Casey et al.
 7,264,656 B2 9/2007 Kosmider et al.
 7,282,077 B2 10/2007 Honisch et al.
 7,332,009 B2 2/2008 Casey et al.
 7,442,221 B2 10/2008 Ruhland et al.
 7,670,403 B2 3/2010 Modesto et al.
 7,828,870 B1 11/2010 Rech et al.
 RE42,174 E 3/2011 Gunderson et al.
 8,097,061 B2 1/2012 Smith et al.
 8,182,569 B2 5/2012 Casey et al.
 8,241,384 B2 8/2012 Schrage et al.
 8,245,851 B2 8/2012 Hawkins et al.
 8,394,164 B2 3/2013 Casey et al.
 8,397,920 B2 3/2013 Moy et al.
 D690,407 S 9/2013 Williams et al.
 D692,298 S 10/2013 Pipes et al.
 8,632,619 B2 1/2014 Komori et al.
 8,685,128 B2 4/2014 Schrage et al.
 D706,831 S * 6/2014 Schultz D15/5
 8,961,637 B2 2/2015 Raether et al.
 D736,263 S * 8/2015 Schultz D15/5
 9,168,477 B2 10/2015 Schulz et al.
 9,308,482 B2 4/2016 Kaiser
 9,358,489 B2 6/2016 Kaufmann et al.
 9,446,339 B2 9/2016 Rieger et al.
 9,463,405 B2 10/2016 Bartel et al.
 9,604,856 B2 3/2017 Fall
 9,610,529 B2 4/2017 Mills et al.
 9,623,351 B2 4/2017 Kindkeppel et al.
 9,636,615 B2 5/2017 Osendorf et al.
 9,649,581 B2 5/2017 Conroy
 9,682,339 B2 6/2017 Jursich et al.
 D794,082 S 8/2017 Krull
 D798,907 S 10/2017 Krull
 D799,657 S 10/2017 Sullivan et al.
 D804,004 S 11/2017 Madeira et al.
 9,849,408 B2 12/2017 Stehle et al.
 9,987,571 B2 6/2018 Klein et al.
 D852,345 S * 6/2019 Stanhope D23/365
 D884,866 S 4/2020 Knight et al.
 10,758,859 B2 9/2020 Gieseke et al.
 D909,557 S * 2/2021 Jeon D23/364
 2003/0168398 A1 9/2003 Steger et al.
 2004/0238437 A1 12/2004 Nguyen et al.
 2007/0000830 A1 1/2007 Snider et al.
 2007/0193236 A1 8/2007 Merritt

2008/0029453 A1 2/2008 Mertens et al.
 2008/0041026 A1 2/2008 Engel et al.
 2008/0245719 A1 10/2008 Beard et al.
 2009/0188220 A1 7/2009 Freisinger et al.
 2010/0000922 A1 1/2010 Crawford
 2010/0064646 A1 3/2010 Smith et al.
 2010/0252495 A1 10/2010 Reid et al.
 2011/0210053 A1 9/2011 Strassenberger
 2012/0160755 A1 6/2012 Lacroix et al.
 2012/0223001 A1 9/2012 Beard
 2012/0246907 A1 10/2012 Morgan
 2013/0228504 A1 9/2013 McElroy et al.
 2013/0255203 A1 10/2013 Muenkel et al.
 2014/0165834 A1 6/2014 Kaufmann et al.
 2015/0020488 A1 1/2015 Dhiman et al.
 2015/0101295 A1 4/2015 Thompson et al.
 2015/0151233 A1 6/2015 Johnson et al.
 2015/0343339 A1 12/2015 Johnson et al.
 2016/0045848 A1 2/2016 Campbell et al.
 2016/0051912 A1 2/2016 Castaneda et al.
 2016/0263495 A1 9/2016 Wyhler et al.
 2016/0296867 A1 10/2016 Stark et al.
 2016/0325212 A1 11/2016 Pflueger et al.
 2017/0361249 A1 12/2017 Ries et al.
 2018/0050296 A1 2/2018 Fritzsching et al.
 2018/0161703 A1 6/2018 Bautz et al.
 2018/0200652 A1 7/2018 Merritt et al.
 2019/0070549 A1 * 3/2019 Fritzsching B01D 46/2414
 2019/0111374 A1 * 4/2019 Burton F02M 35/02416
 2019/0344207 A1 * 11/2019 Knight F01M 11/03
 2020/0054982 A1 2/2020 DeCoster et al.
 2020/0384402 A1 * 12/2020 Schwartz B01D 46/2414
 2021/0086109 A1 * 3/2021 Knight B01D 46/2414

FOREIGN PATENT DOCUMENTS

CN 204041298 U 12/2014
 DE 24 29 474 11/1975
 DE 10 2004 063 346 A1 7/2006
 DE 20 2009 000 969 7/2010
 DE 10 2009 050 587 A1 4/2011
 DE 10 2015 015 778 A1 7/2016
 DE 10 2016 004 316 A1 1/2017
 DE 10 2016 008 475 1/2017
 DE 10 2013 216 853 A1 1/2018
 EP 0 923 975 B1 6/1999
 EP 1 031 310 A2 8/2000
 FR 2847488 A1 5/2004
 GB 0 808 476 A 2/1959
 GB 2 375 494 11/2002
 JP 4141226 5/2004
 WO WO-03/084641 A2 10/2003
 WO WO-2011/146474 A1 11/2011
 WO WO-2015/171744 A1 11/2015
 WO WO-2016/082854 A1 6/2016
 WO WO-2016/100772 A1 6/2016
 WO WO-2017/012932 A1 1/2017
 WO WO-2017/079191 A1 5/2017

OTHER PUBLICATIONS

International Search Report & Written Opinion for PCT/US2018/063976 dated Feb. 6, 2019, 10 pages.
 Office Action for Brazilian Design App. No. BR302018002479-6 dated Nov. 13, 2018, one page.
 Preliminary Search Report for French Patent App. No. 1851888 dated Nov. 13, 2018, 8 pages.

* cited by examiner

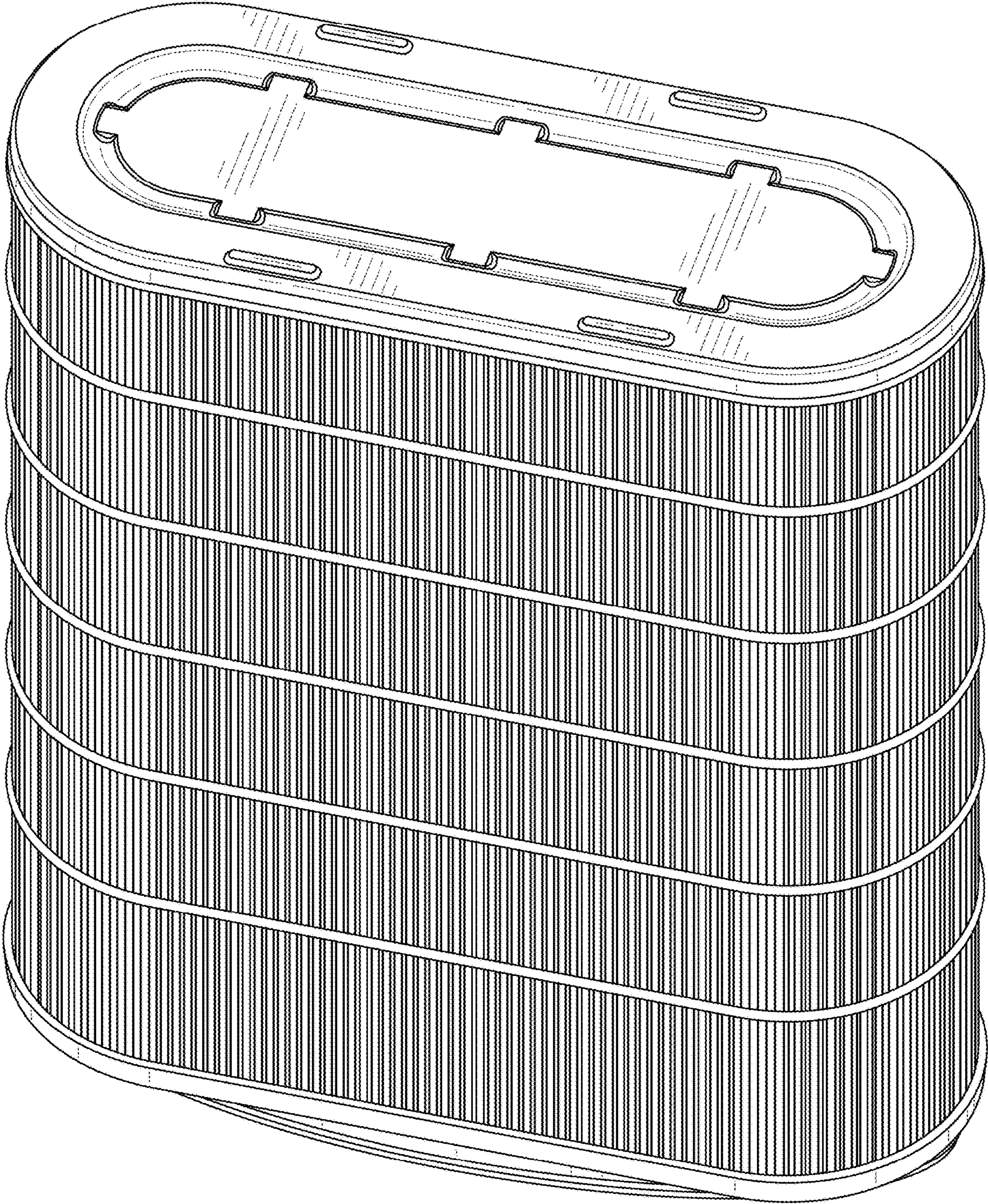


FIG. 1

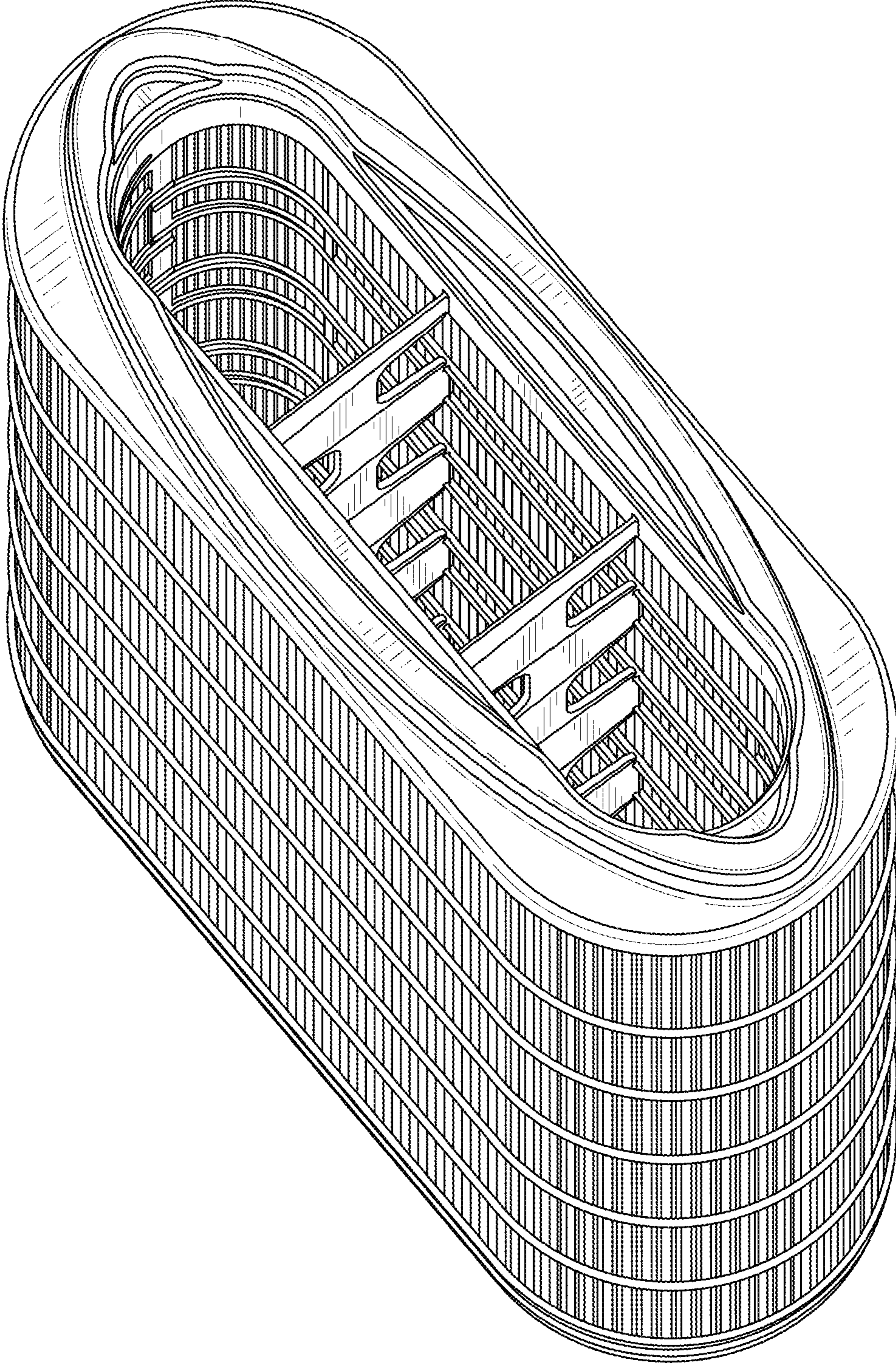


FIG. 2

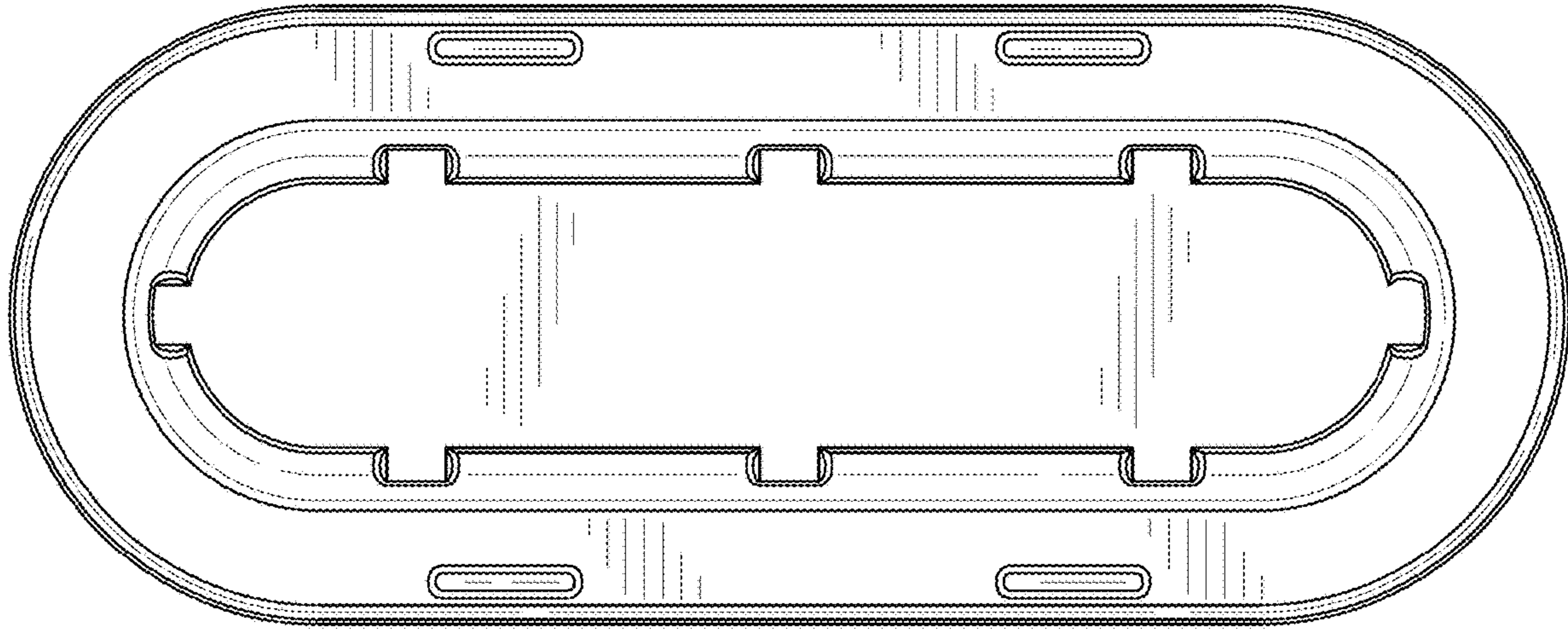


FIG. 3

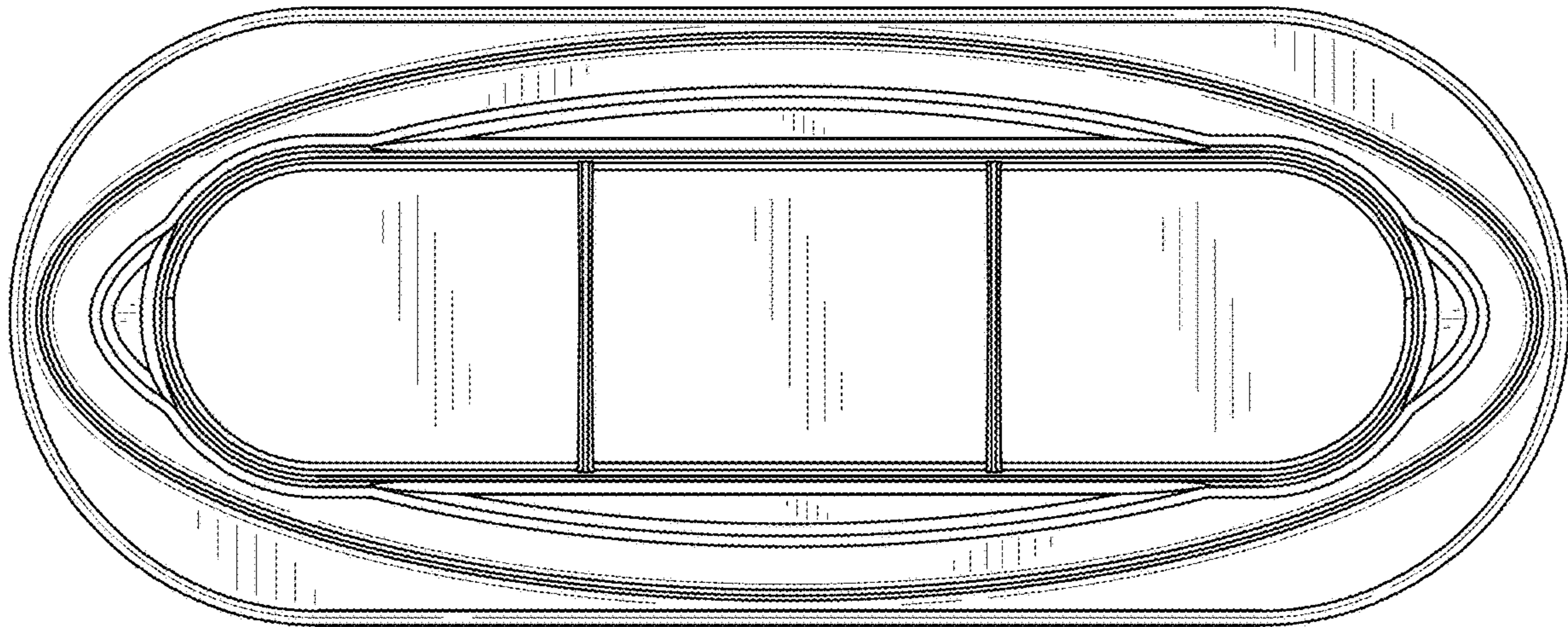


FIG. 4

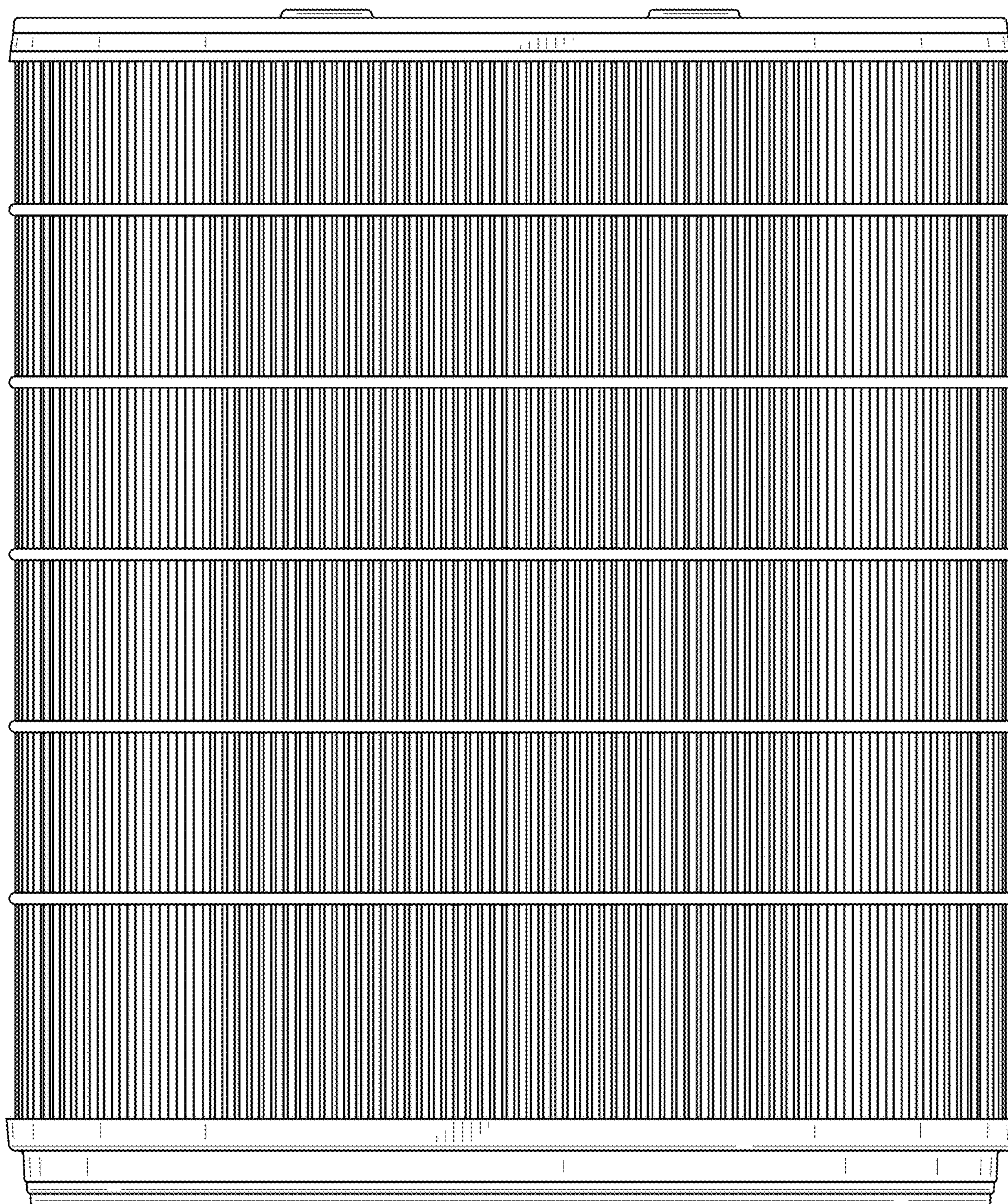


FIG. 5

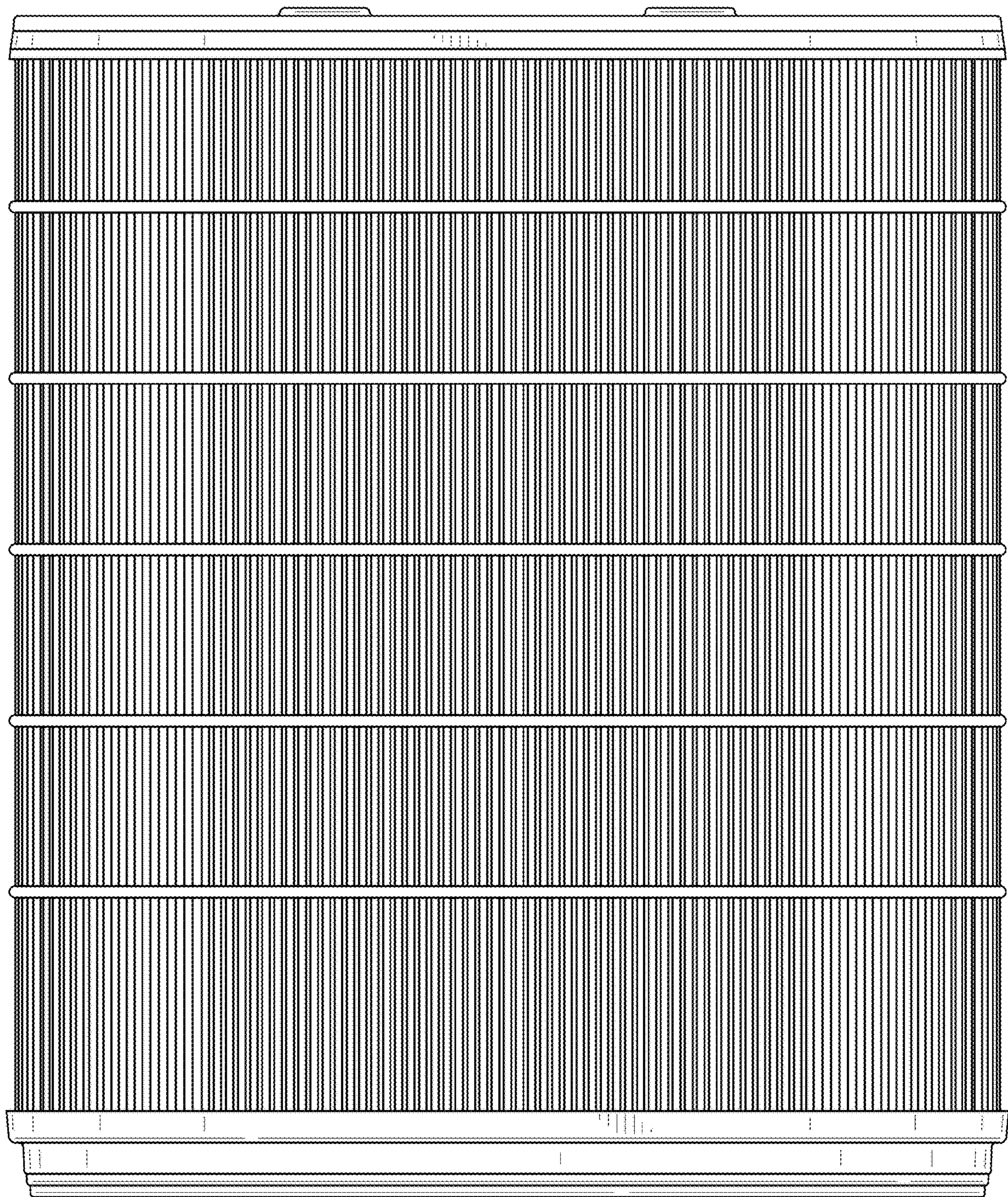


FIG. 6

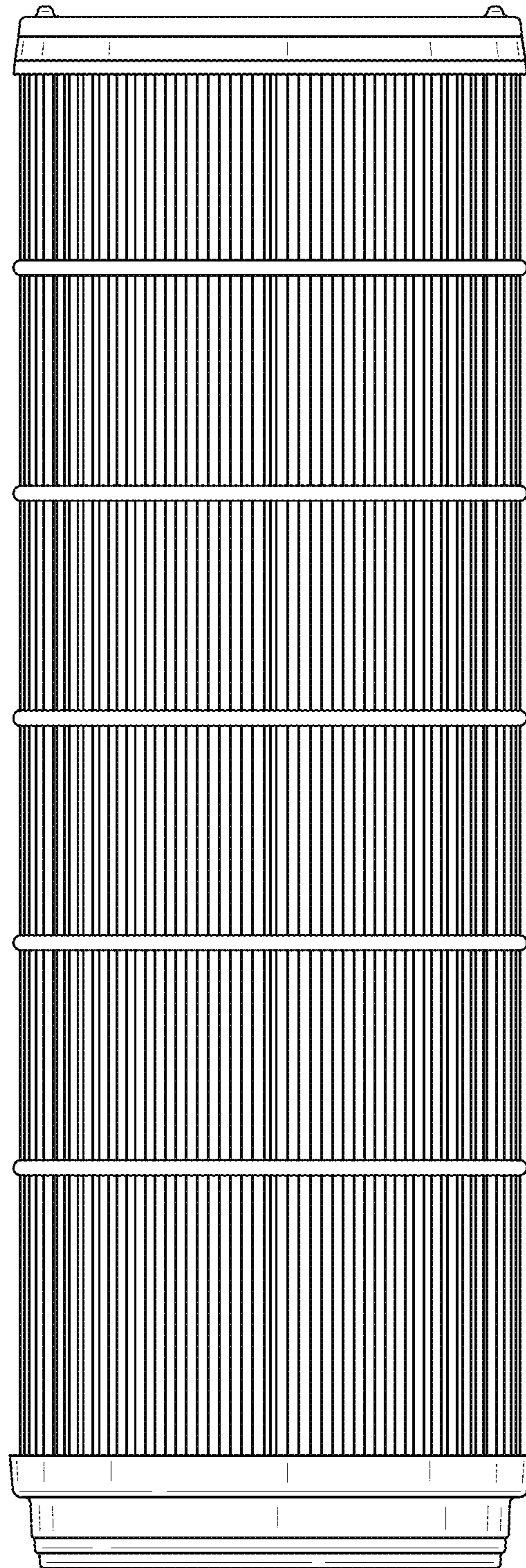


FIG. 7

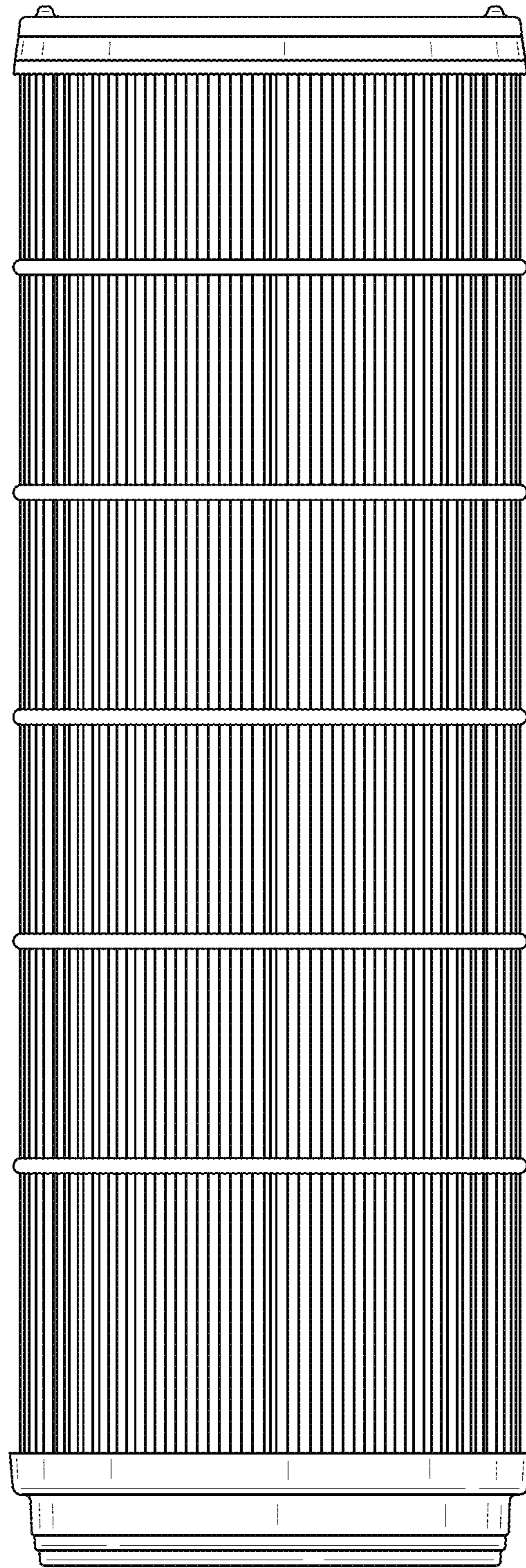


FIG. 8

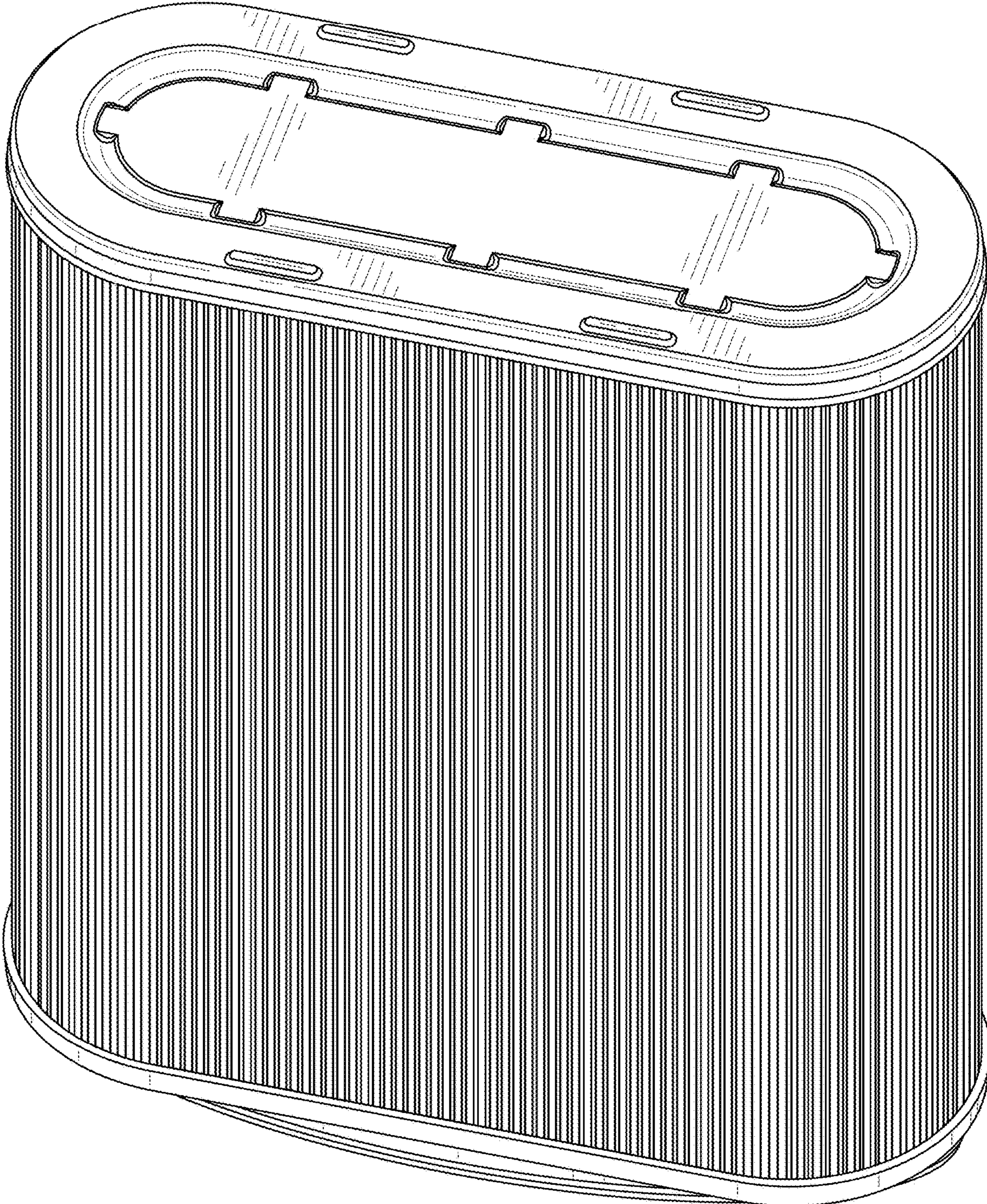


FIG. 9

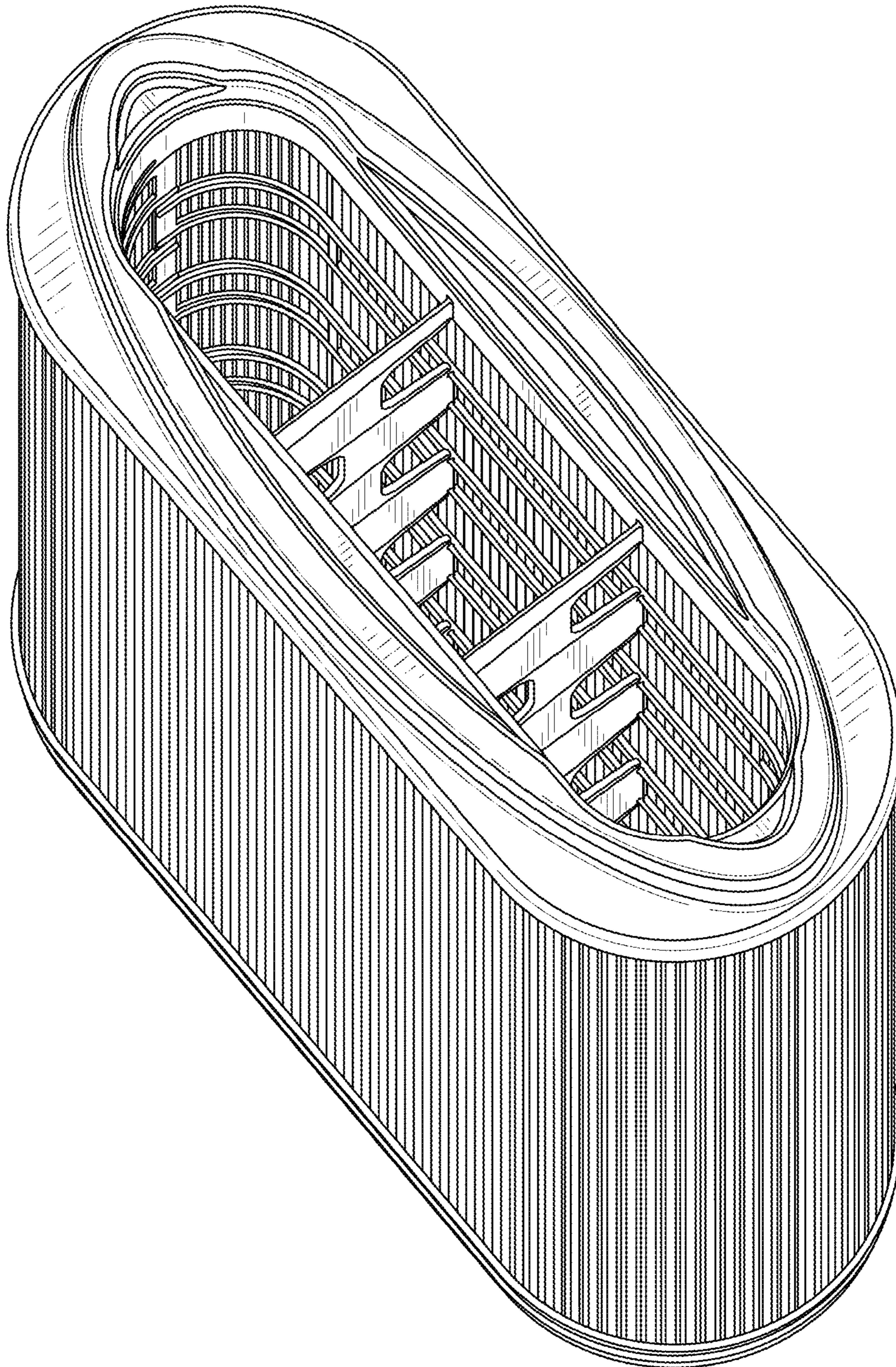


FIG. 10

10/14

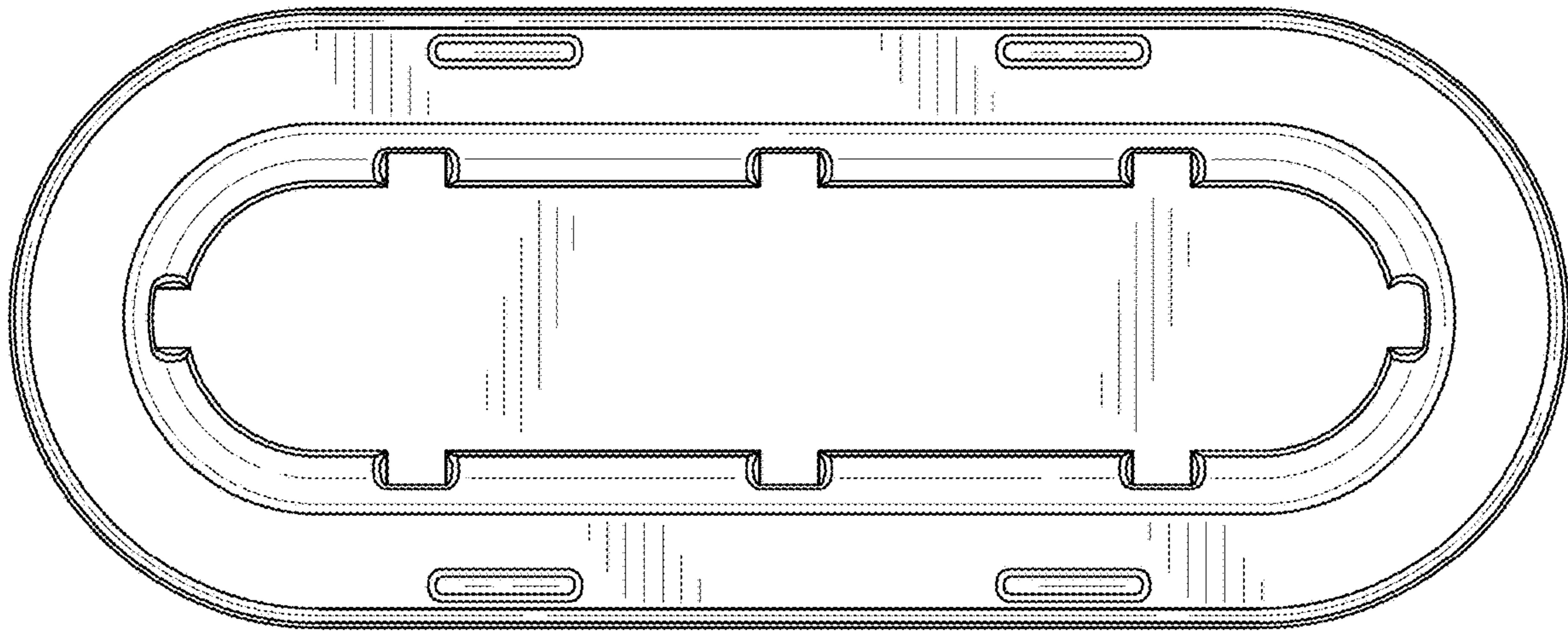


FIG. 11

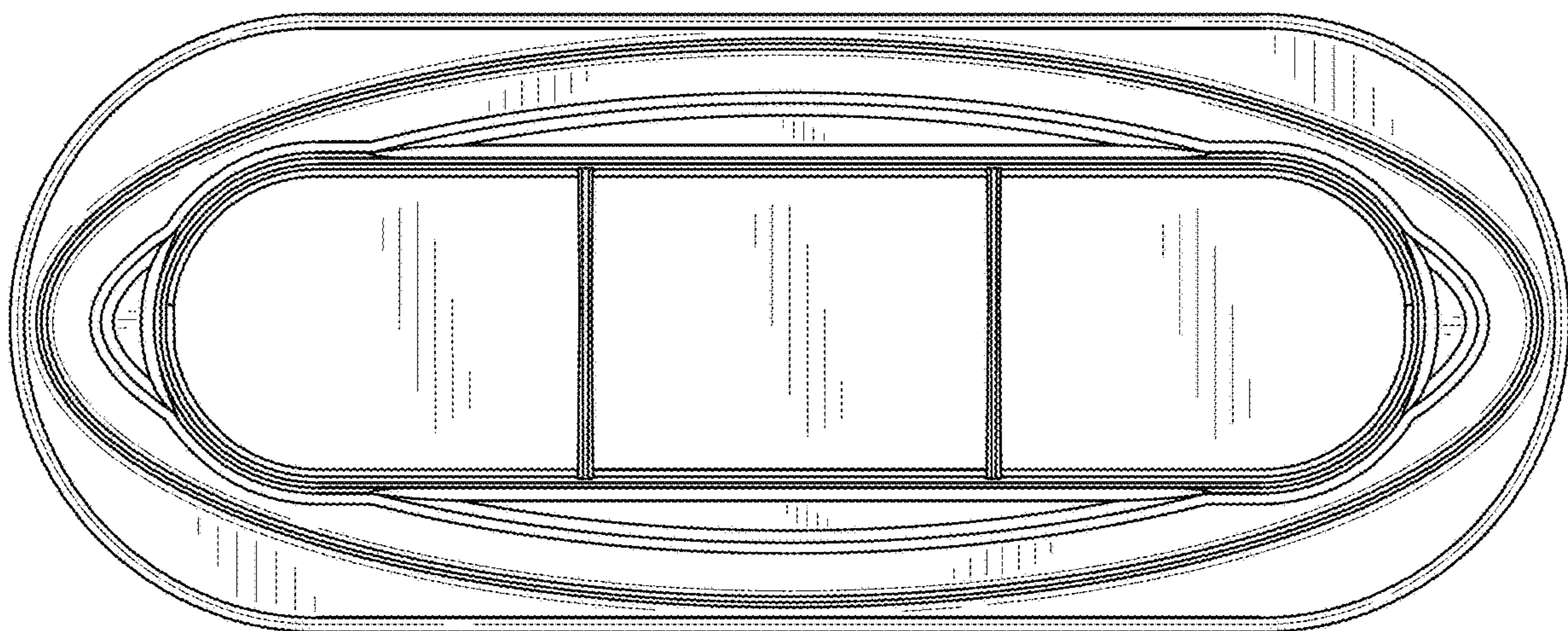


FIG. 12

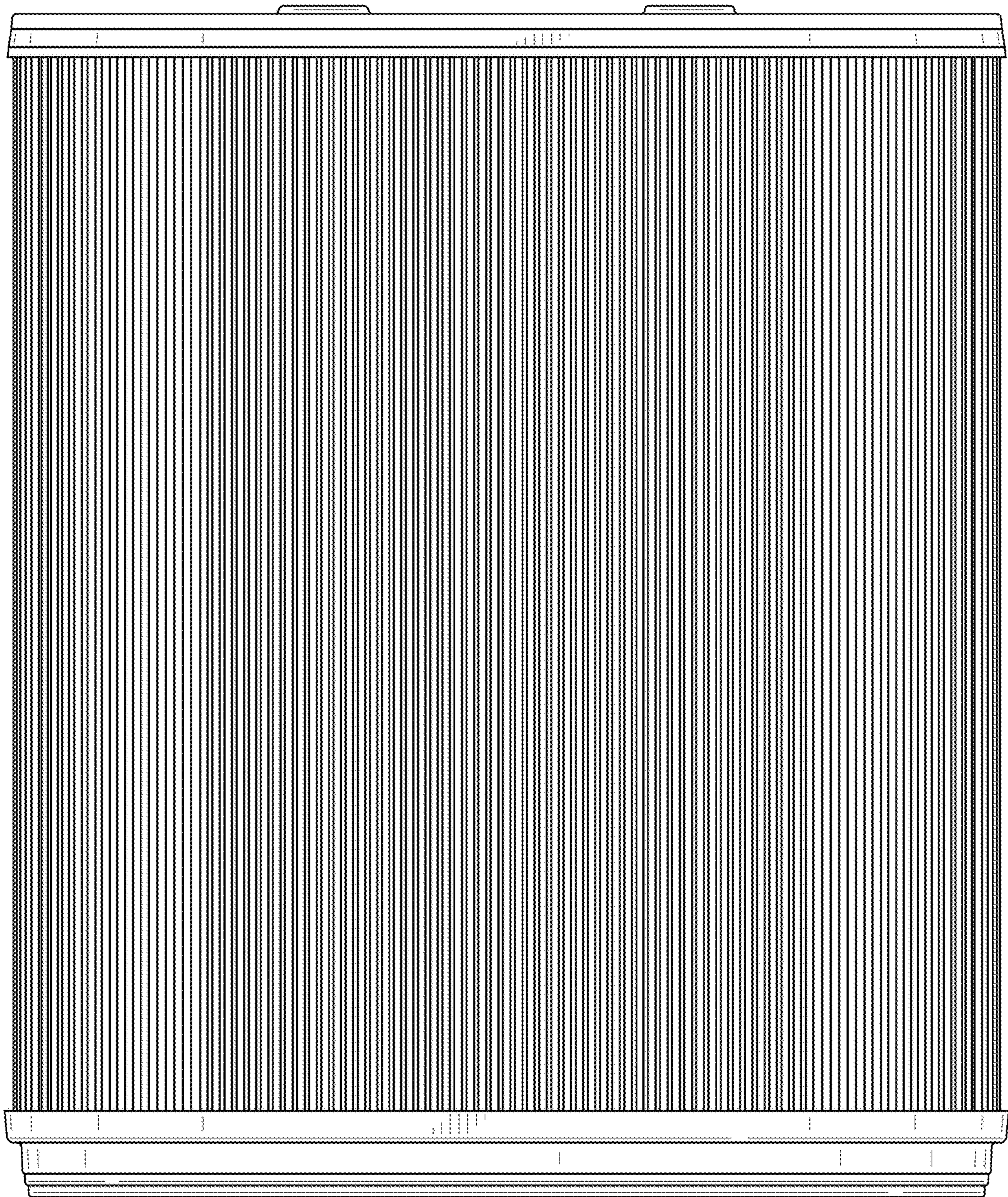


FIG. 13

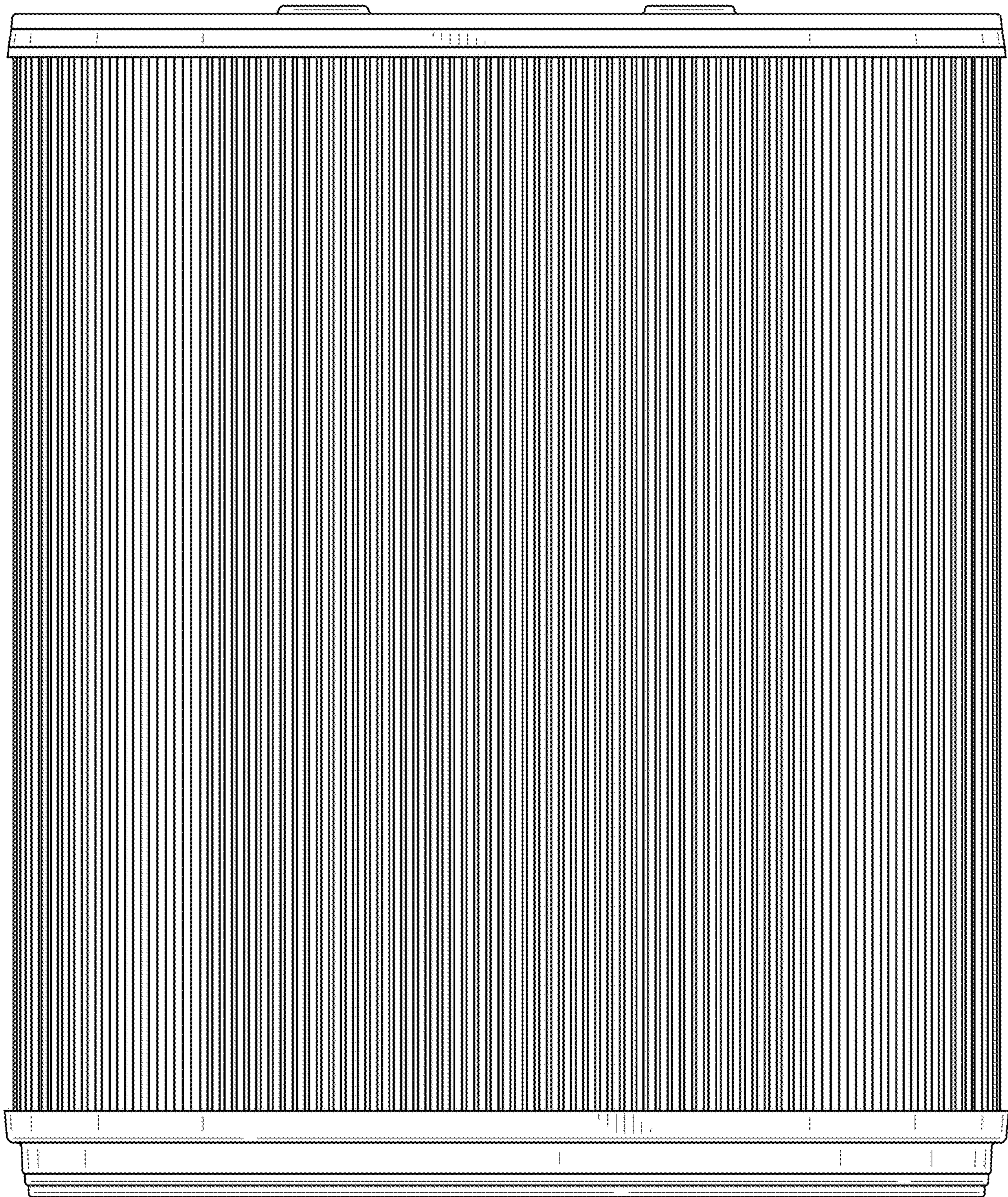


FIG. 14

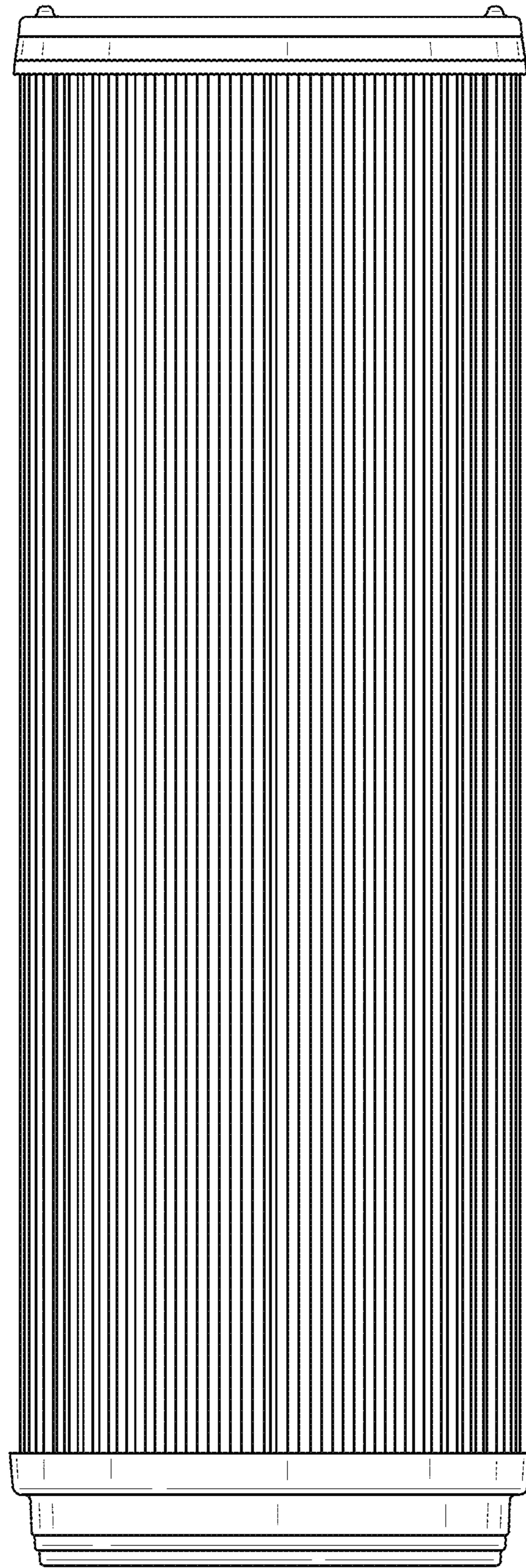


FIG. 15

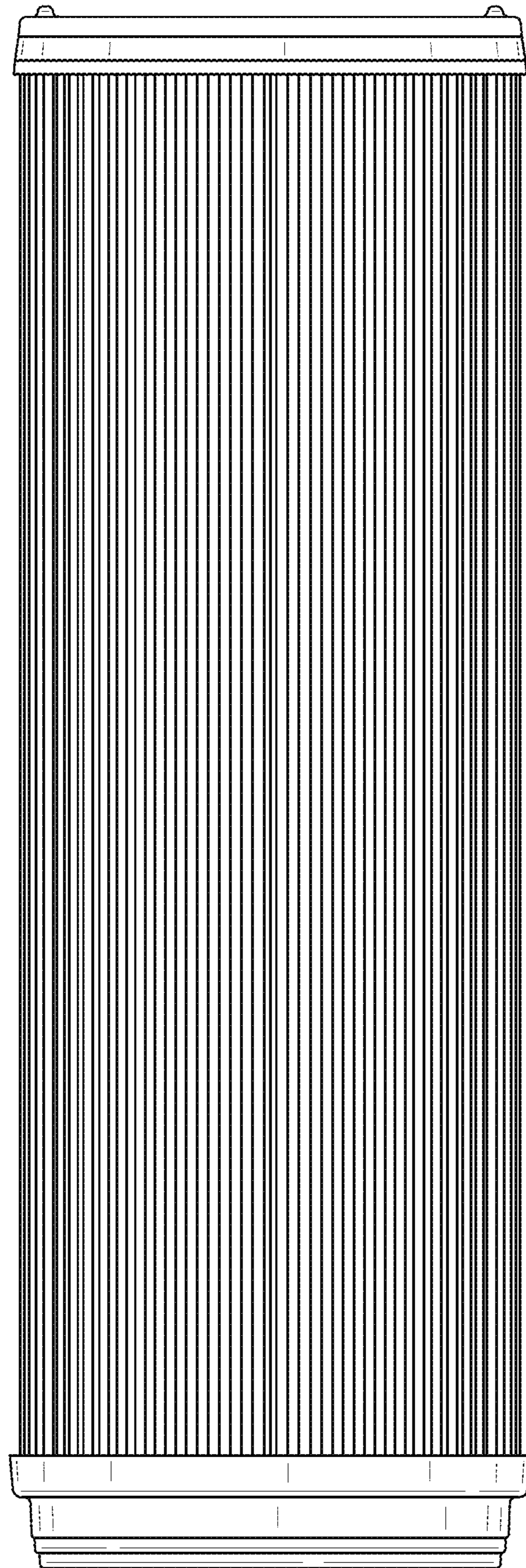


FIG. 16