



US00D930130S

(12) **United States Design Patent** (10) **Patent No.:** **US D930,130 S**
Zioni (45) **Date of Patent:** **** Sep. 7, 2021**

(54) **OUTDOOR HEATER**
(71) Applicant: **Hamazon G2 LLC**, Los Angeles, CA (US)
(72) Inventor: **George Zioni**, Los Angeles, CA (US)
(**) Term: **15 Years**
(21) Appl. No.: **29/693,873**
(22) Filed: **Jun. 5, 2019**
(51) **LOC (13) Cl.** **23-03**
(52) **U.S. Cl.**
USPC **D23/335**
(58) **Field of Classification Search**
USPC D23/314, 317, 332, 335, 337, 336, 338, D23/339, 340, 343
CPC F23D 14/10; F23C 3/002; F23C 3/006
See application file for complete search history.

2016/0230985 A1* 8/2016 Home F23D 14/145
2016/0348915 A1* 12/2016 Yang F24C 1/12
2017/0332779 A1* 11/2017 Jenkins A47B 37/04
2018/0010790 A1* 1/2018 Huang F23C 7/004

OTHER PUBLICATIONS

<http://lavaheat.com/collections/>, Jun. 5, 2018.
<http://lavaheat.com/>, Jun. 5, 2018.

* cited by examiner

Primary Examiner — Ania Aman
(74) *Attorney, Agent, or Firm* — Payam Moradian

(57) **CLAIM**

I claim the ornamental design for an outdoor heater, as shown and described.

DESCRIPTION

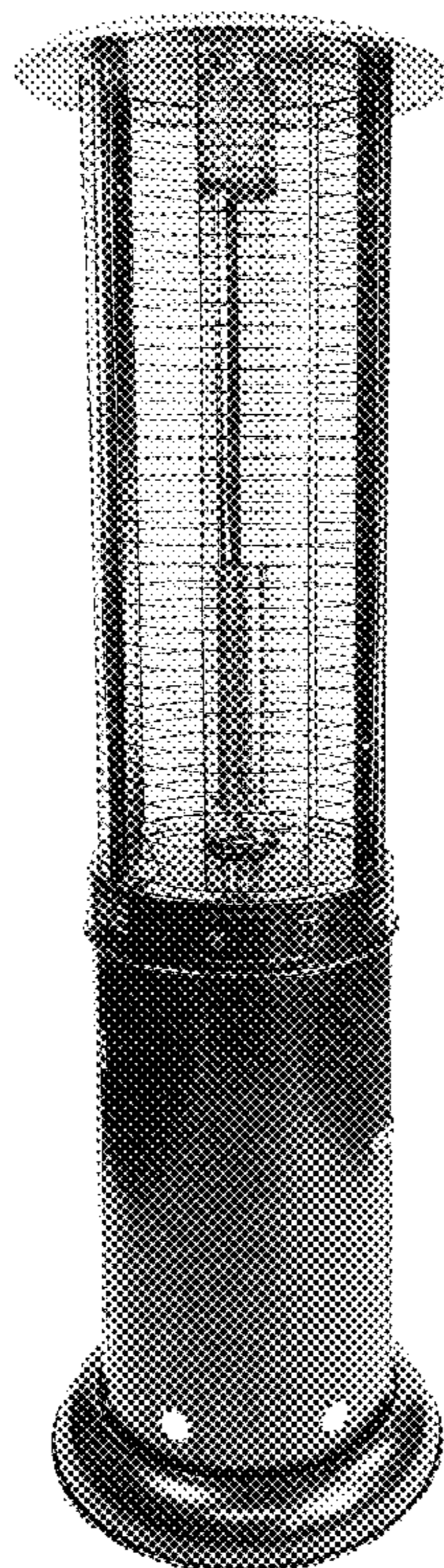
FIG. 1 is a front perspective view of the outdoor heater showing my new design;
FIG. 2 is a right side perspective view thereof;
FIG. 3 is a rear perspective view thereof;
FIG. 4 is a left side perspective view thereof;
FIG. 5 is a bottom perspective view thereof;
FIG. 6 is a top plan view thereof; and,
FIG. 7 is a bottom plan view thereof.
The broken line shown in the drawings are for the purposes of illustrating portions of the article and form no part of the claimed design.

(56) **References Cited**

U.S. PATENT DOCUMENTS

D639,919 S *	6/2011	Yu	D23/314
D756,496 S *	5/2016	Wang	D23/332
D804,622 S *	12/2017	Wang	D23/317
D812,205 S *	3/2018	Inovero	D23/317
D813,362 S *	3/2018	Anthony	D23/317
D813,999 S *	3/2018	Inovero	D23/317
D841,789 S *	2/2019	Inovero	D23/317
D850,591 S *	6/2019	Inovero	D23/317
10,330,313 B2 *	6/2019	Huang	F23D 14/70
10,371,386 B2 *	8/2019	Yang	F24C 3/042
2009/0223512 A1 *	9/2009	Konkle	F24C 1/10
				126/92 AC

1 Claim, 7 Drawing Sheets



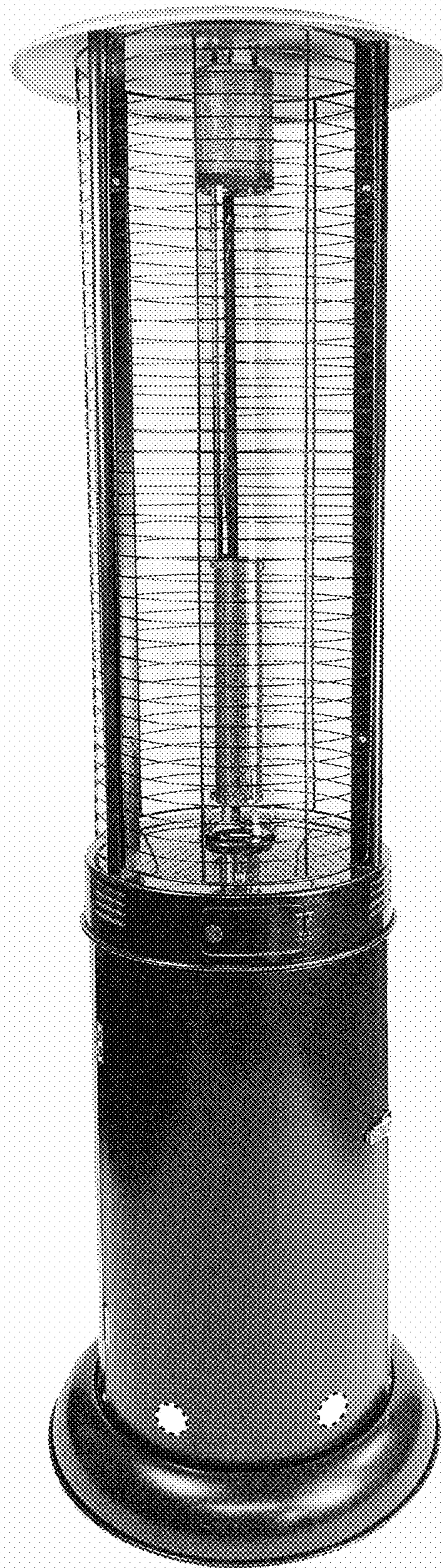


FIG. 1

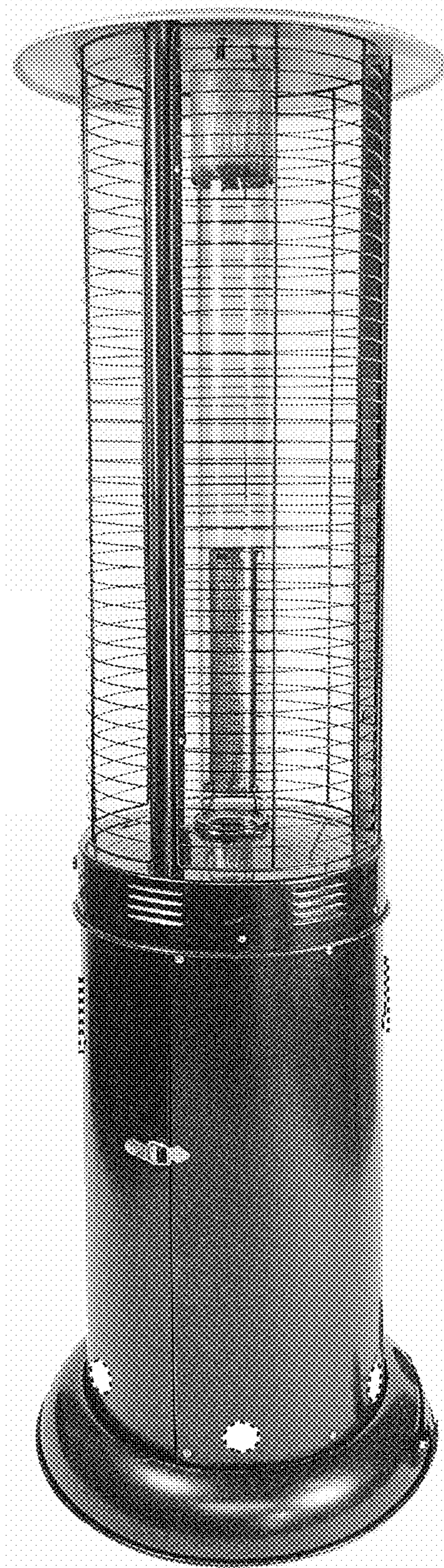


FIG. 2

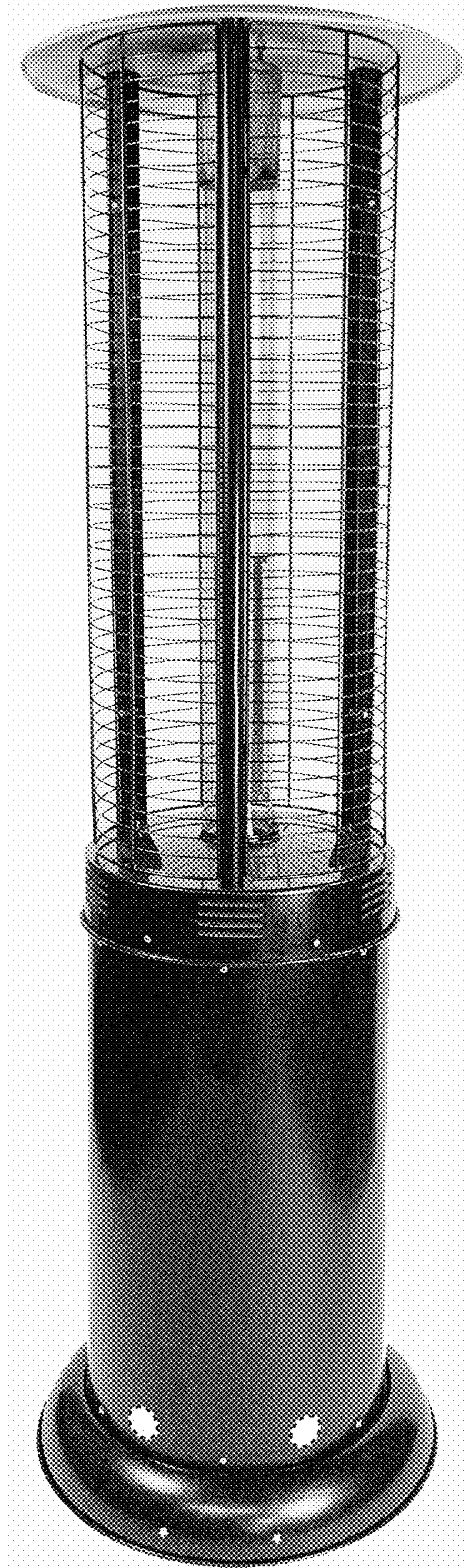


FIG. 3

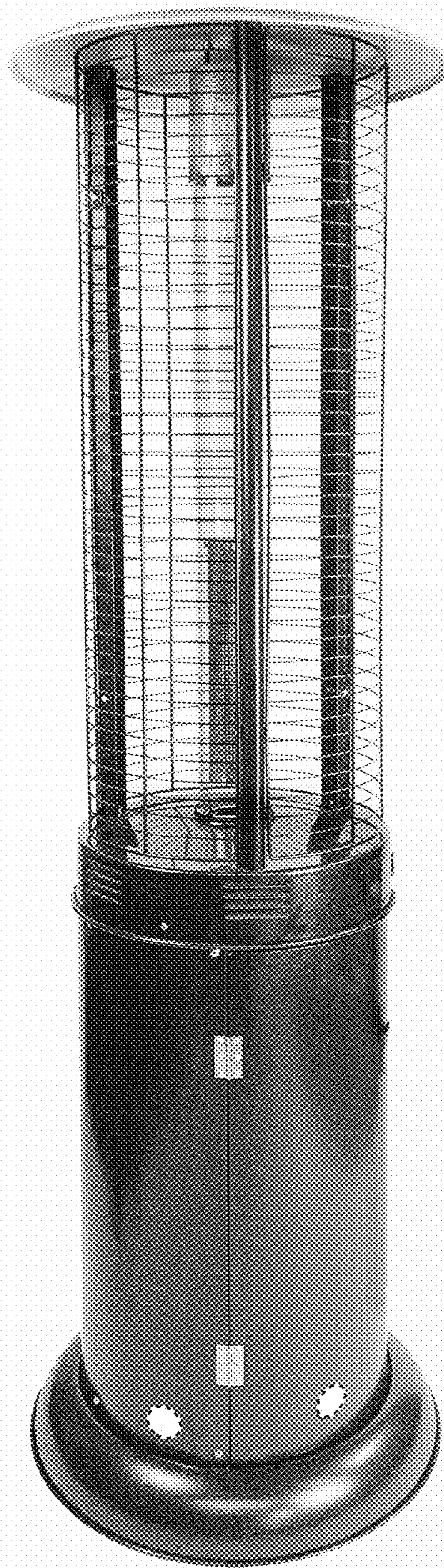


FIG. 4

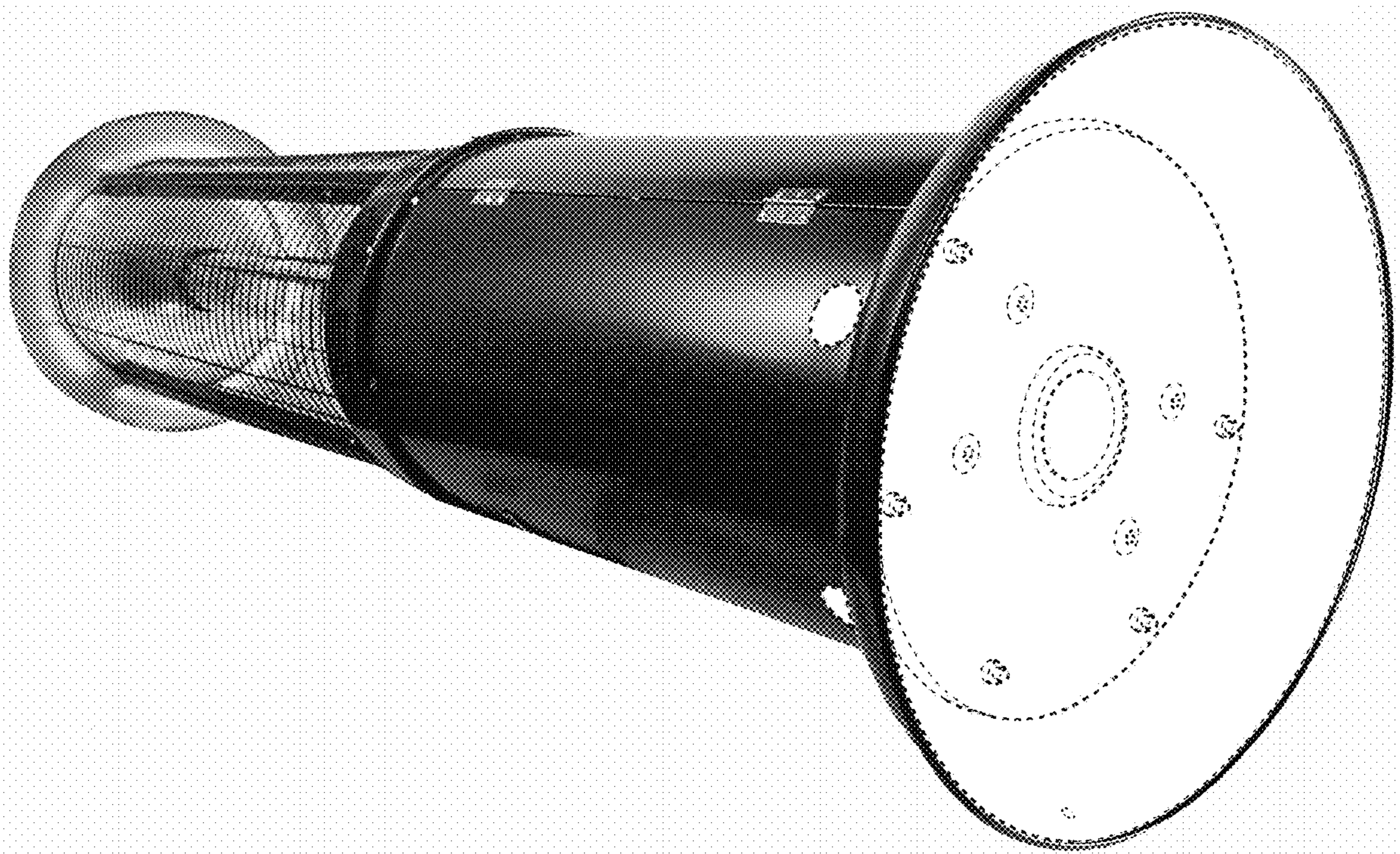


FIG. 5



FIG. 6

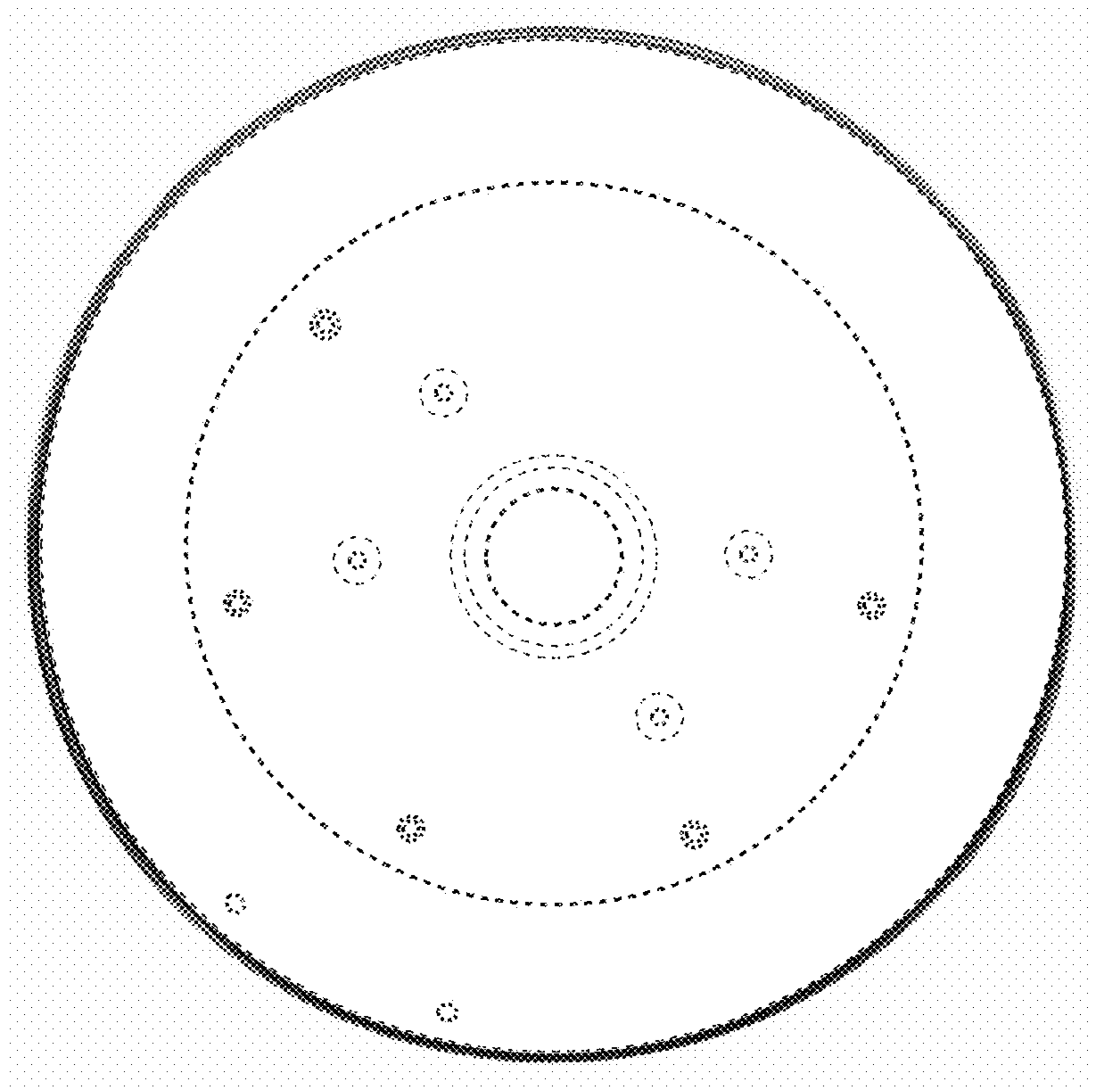


FIG. 7