



US00D930127S

(12) **United States Design Patent** (10) **Patent No.:** **US D930,127 S**
Adams (45) **Date of Patent:** **** Sep. 7, 2021**

- (54) **WATERFALL SINK**
- (71) Applicant: **Russell Adams**, Sugar Hill, GA (US)
- (72) Inventor: **Russell Adams**, Sugar Hill, GA (US)
- (73) Assignee: **MTI Baths, Inc.**, Sugar Hill, GA (US)
- (**) Term: **15 Years**
- (21) Appl. No.: **29/721,768**
- (22) Filed: **Jan. 23, 2020**
- (51) **LOC (13) Cl.** **23-02**
- (52) **U.S. Cl.**
USPC **D23/285**
- (58) **Field of Classification Search**
USPC D23/271, 284–286, 293.1, 308
See application file for complete search history.

D745,123 S * 12/2015 Paolo D23/286
 D748,230 S * 1/2016 Xu D23/284
 2021/0187539 A1* 6/2021 Adams E03C 1/182

* cited by examiner

Primary Examiner — Robert A Delehanty
 (74) *Attorney, Agent, or Firm* — Miller & Martin PLLC;
 Stephen J. Stark

(57) **CLAIM**

The ornamental design for a waterfall sink, as shown and described.

DESCRIPTION

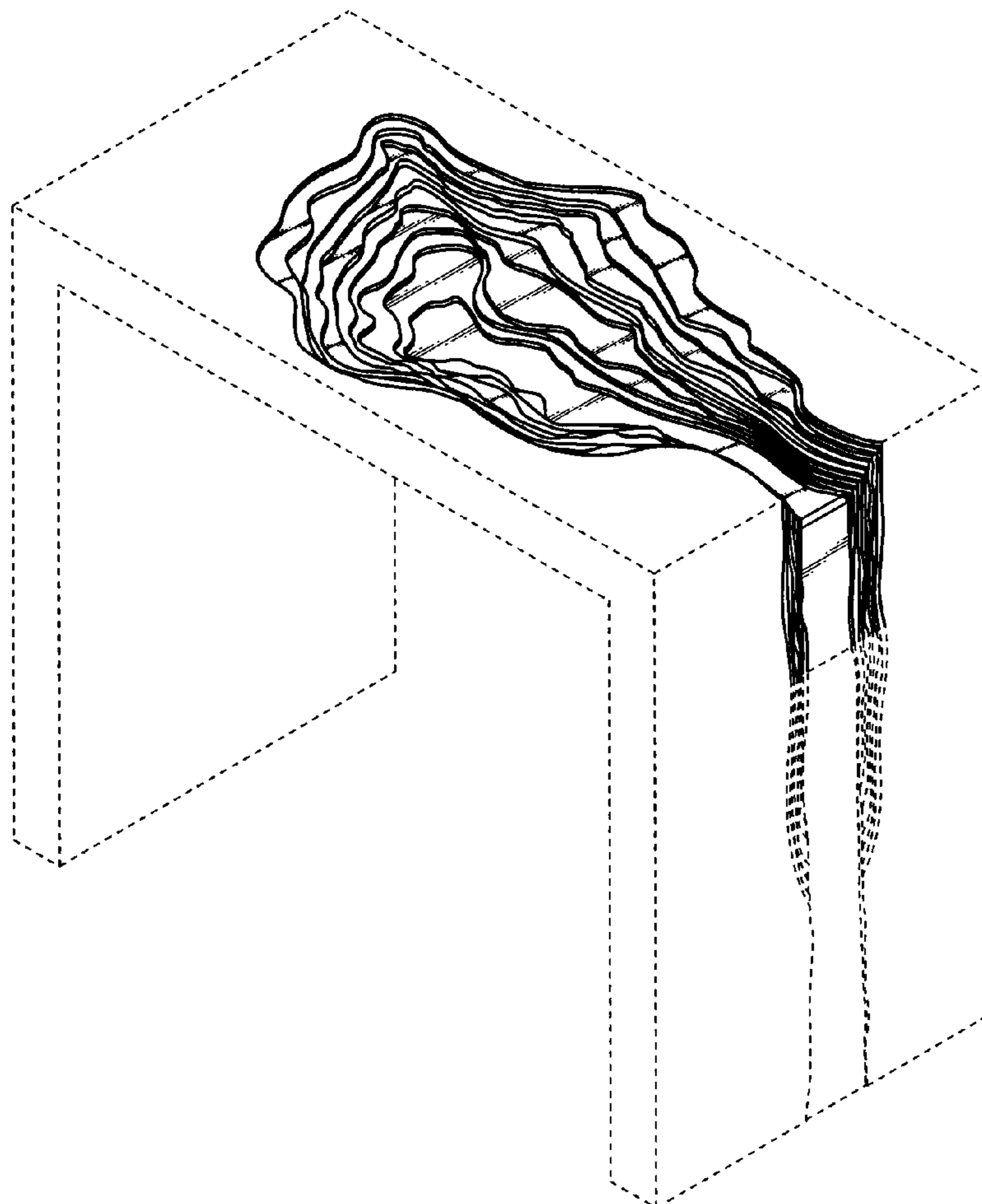
FIG. 1 is a top perspective view of a waterfall sink embodying my new design;
 FIG. 2 is a front plan view thereof;
 FIG. 3 is a rear elevational view thereof;
 FIG. 4 is a right side plan view thereof;
 FIG. 5 is a left side plan view thereof;
 FIG. 6 is a top plan view thereof; and,
 FIG. 7 is a bottom plan view thereof.
 The broken lines shown in the drawings represent unclaimed environment and form no part of the claimed design.

(56) **References Cited**

U.S. PATENT DOCUMENTS

- D496,441 S * 9/2004 Moran D23/284
- D501,041 S * 1/2005 Moran D23/284
- D529,148 S * 9/2006 Douglass D23/284
- D584,387 S * 1/2009 Lee D23/285

1 Claim, 7 Drawing Sheets



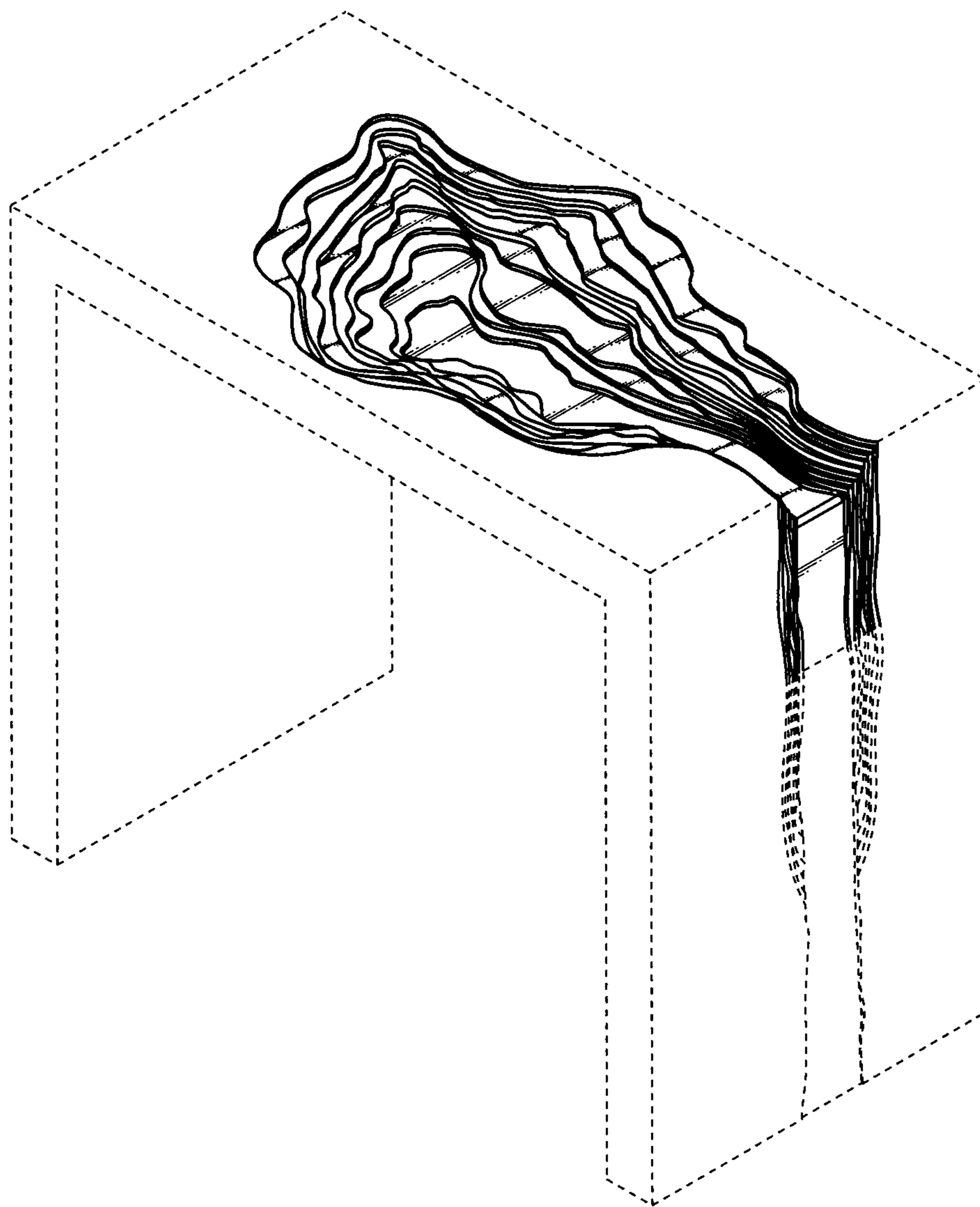


FIG. 1

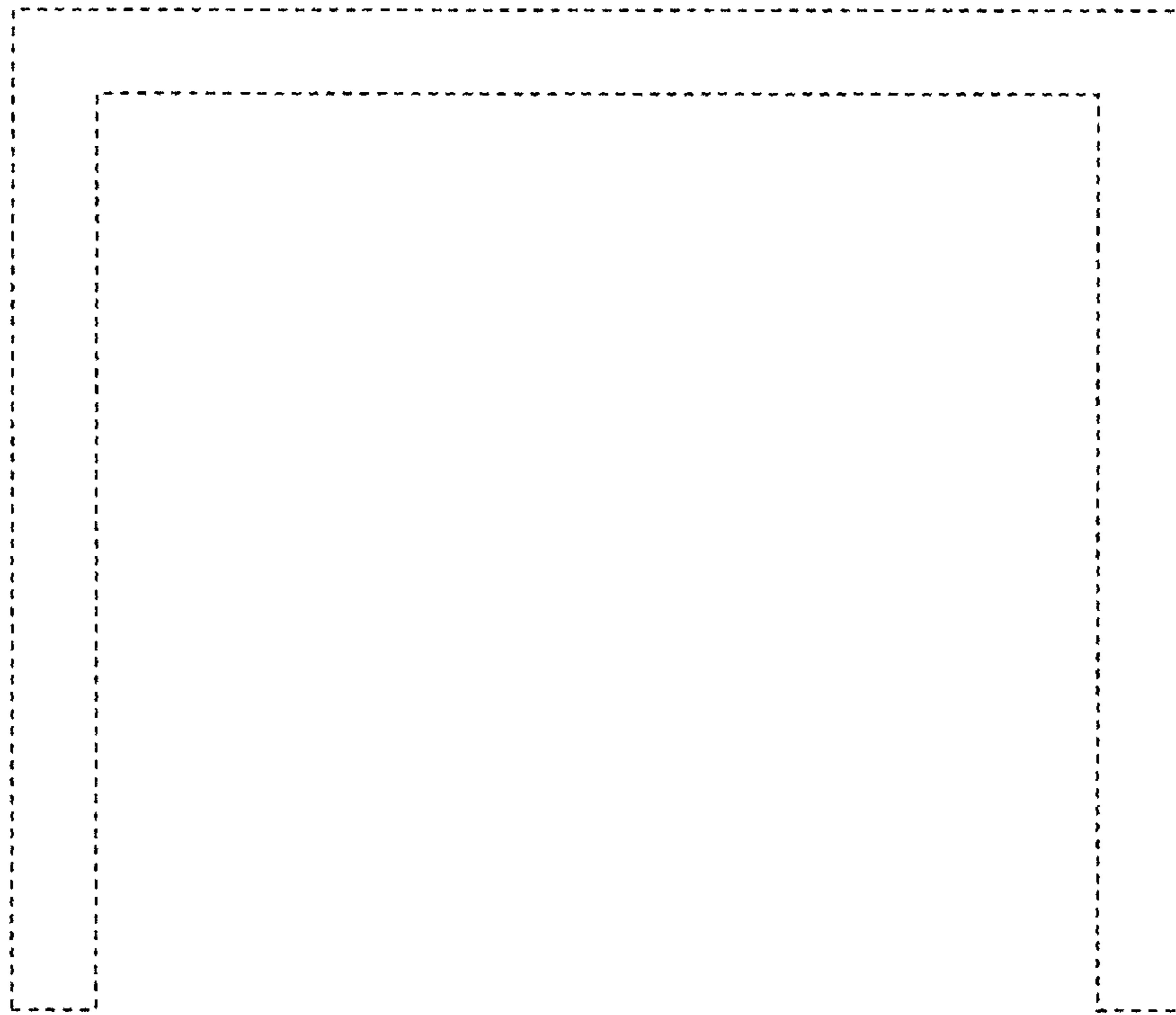


FIG. 2

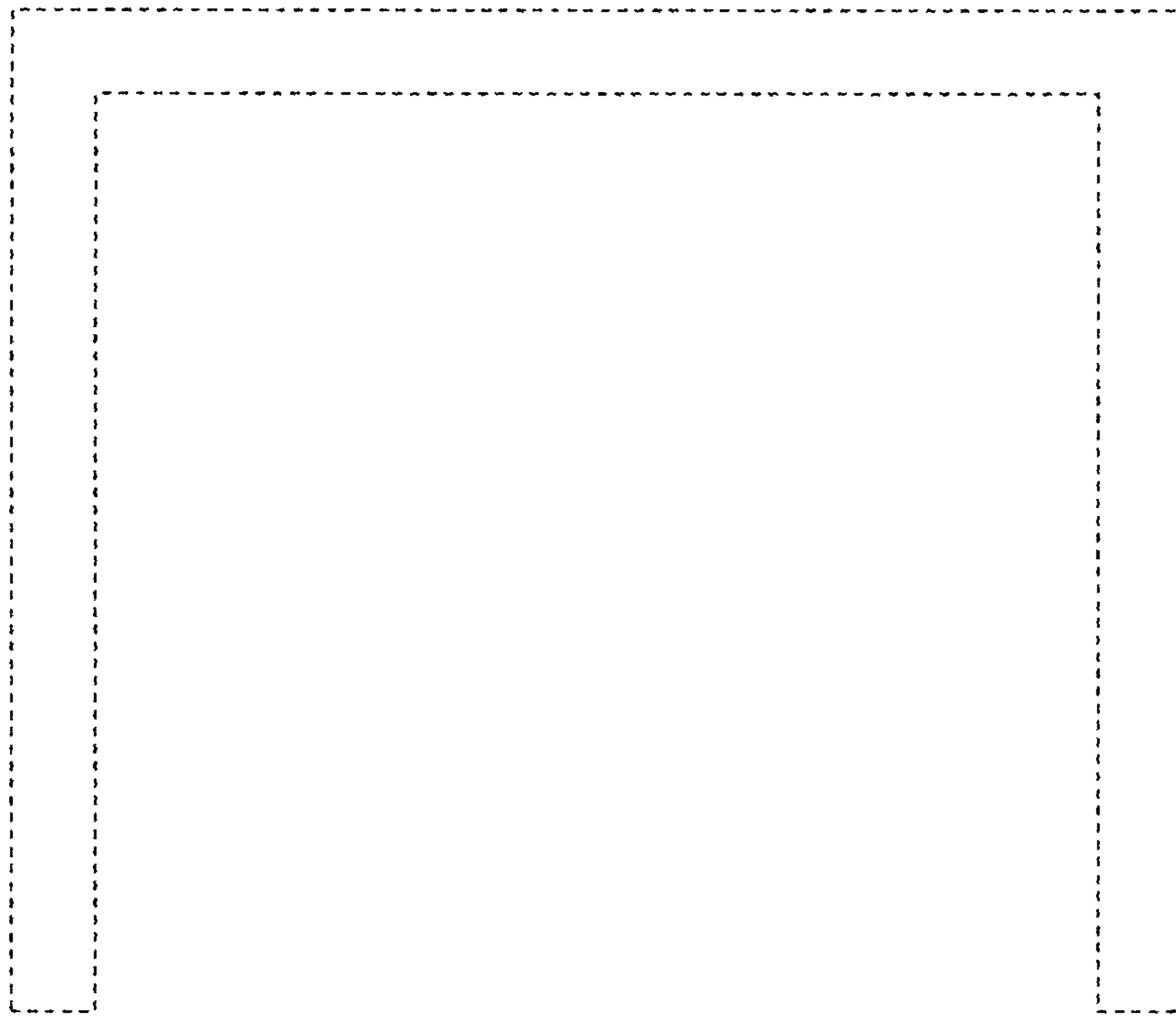


FIG. 3

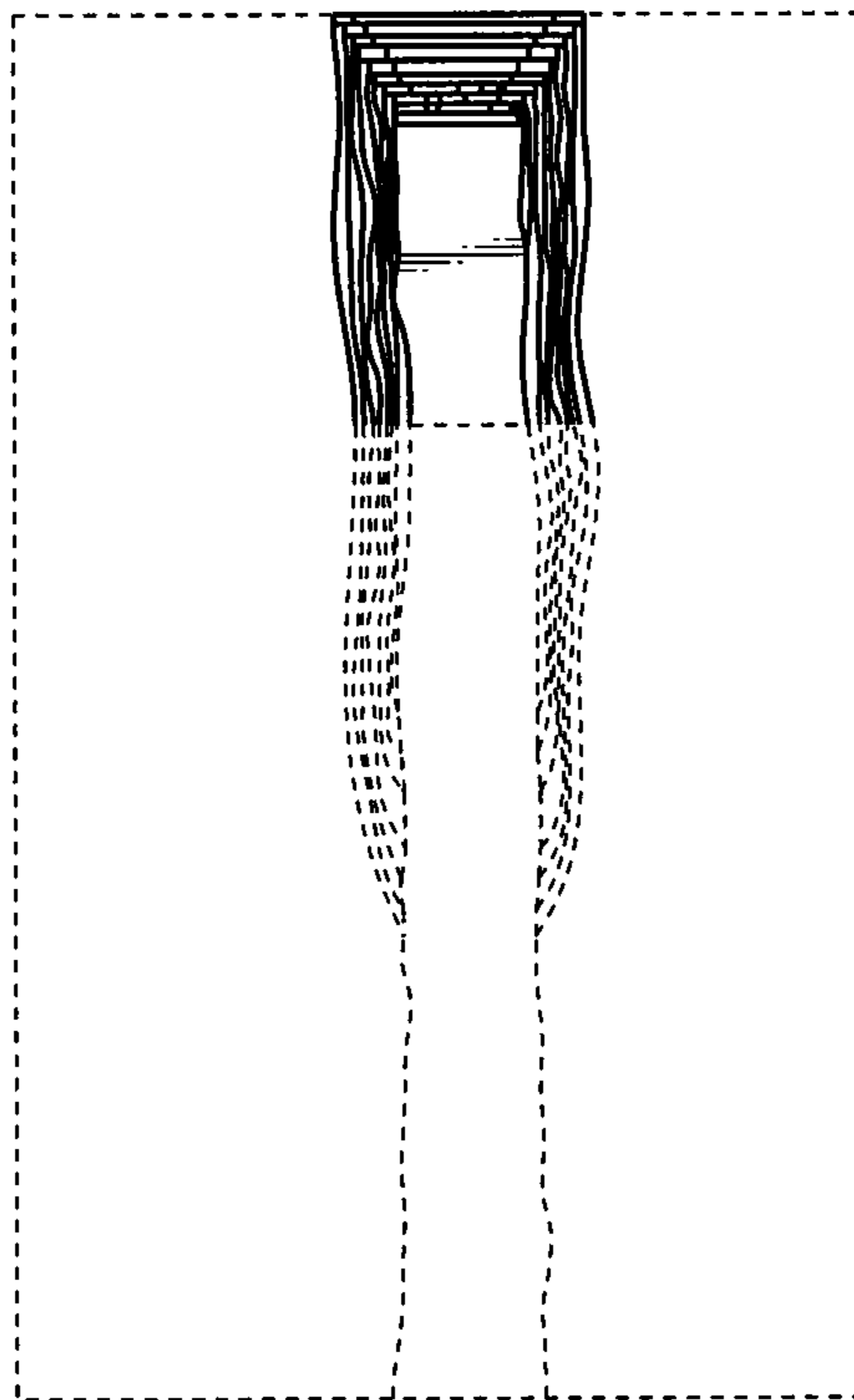


FIG. 4

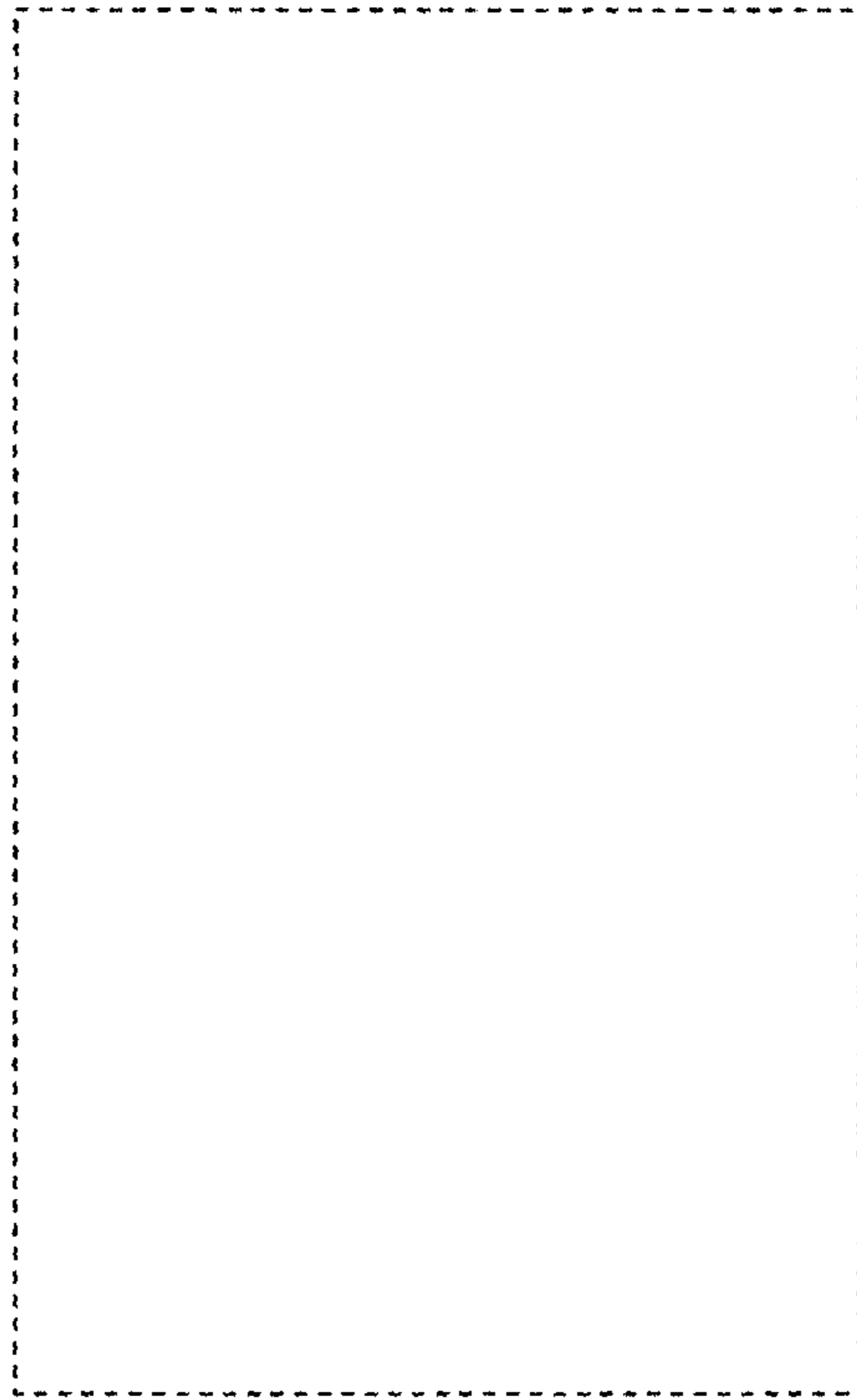


FIG. 5

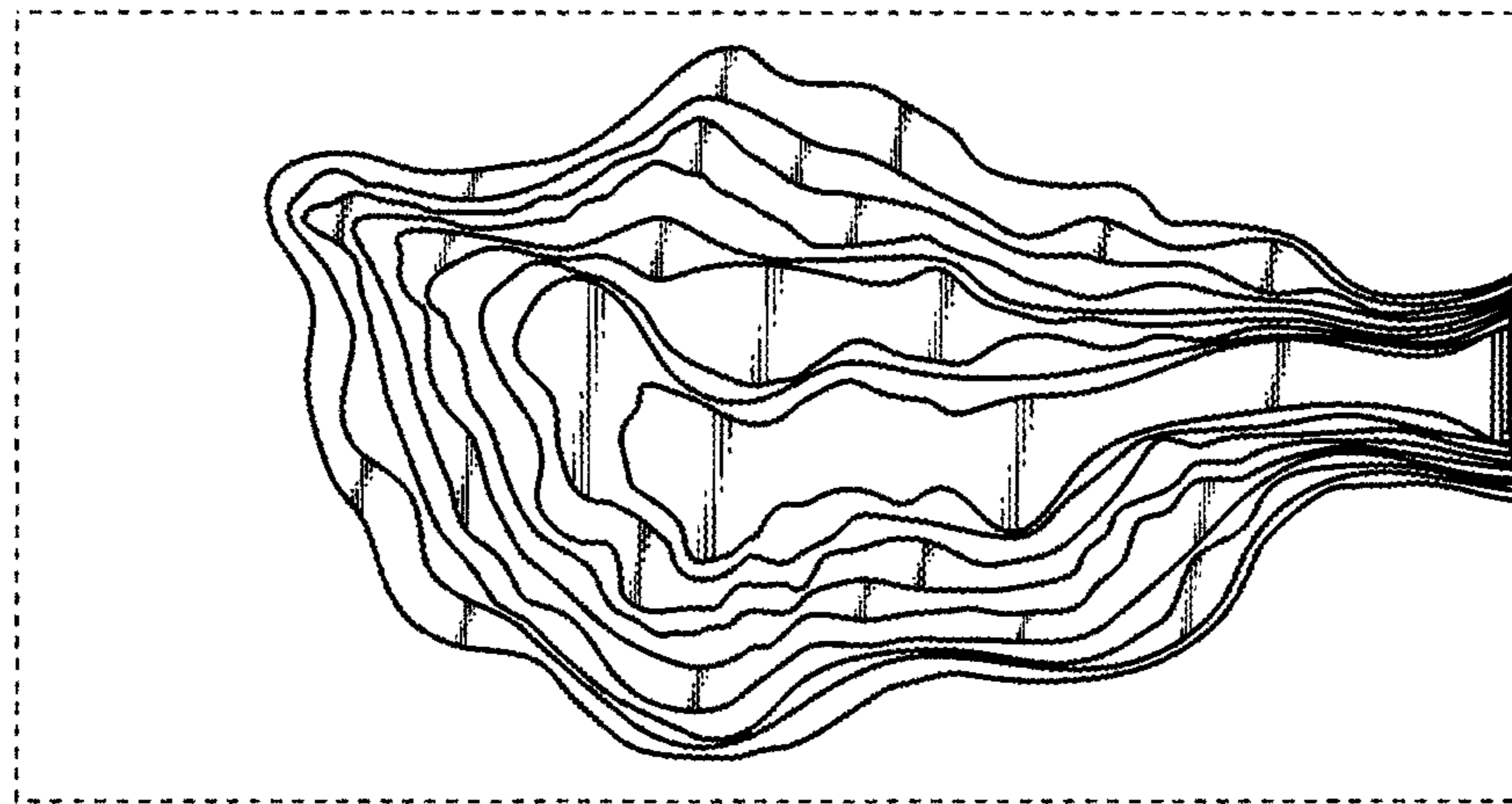


FIG. 6



FIG. 7