



US00D930124S

(12) **United States Design Patent** (10) **Patent No.:** **US D930,124 S**
Stello (45) **Date of Patent:** **** Sep. 7, 2021**

(54) **COMBUSTION ENHANCEMENT TOOL**

(71) Applicant: **Steven D. Stello**, Rochester, NY (US)

(72) Inventor: **Steven D. Stello**, Rochester, NY (US)

(**) Term: **15 Years**

(21) Appl. No.: **29/718,778**

(22) Filed: **Dec. 27, 2019**

(51) **LOC (13) Cl.** **23-01**

(52) **U.S. Cl.**
USPC **D23/266**; D7/416

(58) **Field of Classification Search**
USPC D23/259, 262, 266, 324; 138/28,
138/108-109, 118, 118.1, 129, 137,
138/172-174, 121, 110, 96 R;
285/417-419, 53, 148.2, 316, 321;
D27/162-167, 169, 194; D24/127, 129;
D13/133, 151; D7/416
CPC . F16L 27/08; F16L 59/14; F16L 17/10; F16L
33/16

See application file for complete search history.

(56) **References Cited**

U.S. PATENT DOCUMENTS

D249,282 S *	9/1978	Nielsen	D27/162
D381,405 S *	7/1997	Waidele	D23/266
D488,544 S *	4/2004	Akaltan	D23/266
D657,443 S *	4/2012	Czuk	D23/418
8,640,979 B2 *	2/2014	Wu	B05B 9/0816 239/532
D721,425 S *	1/2015	Orimland	D23/266
D884,841 S *	5/2020	Drew	D23/266
2011/0155274 A1 *	6/2011	Zumbrum	A61M 39/08 138/137
2016/0377212 A1 *	12/2016	Lai	F16L 15/02 285/302

* cited by examiner

Primary Examiner — Amy C Wierenga

(74) *Attorney, Agent, or Firm* — Tracy Jong Law Firm;
Cheng Ning Jong; Louis Reale

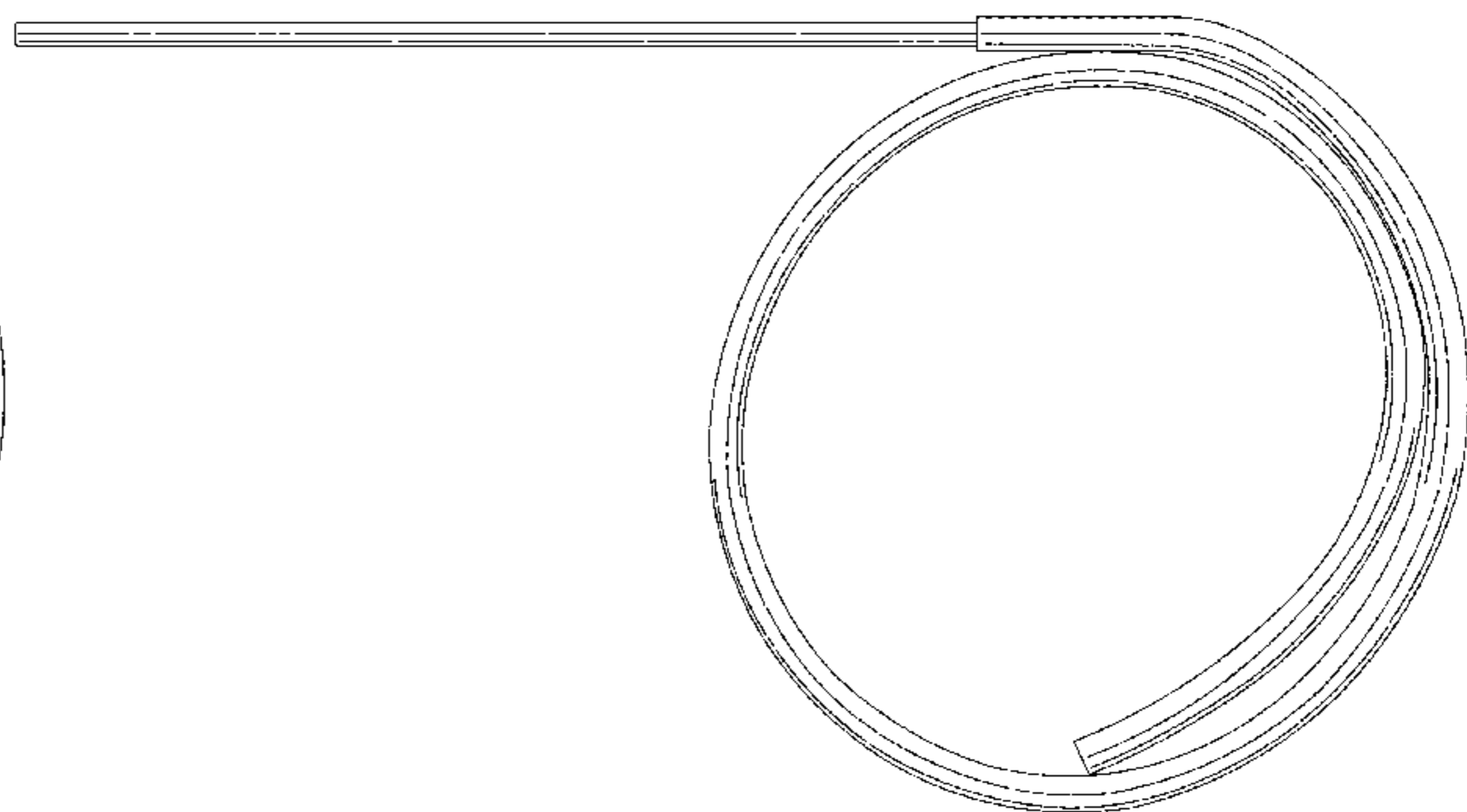
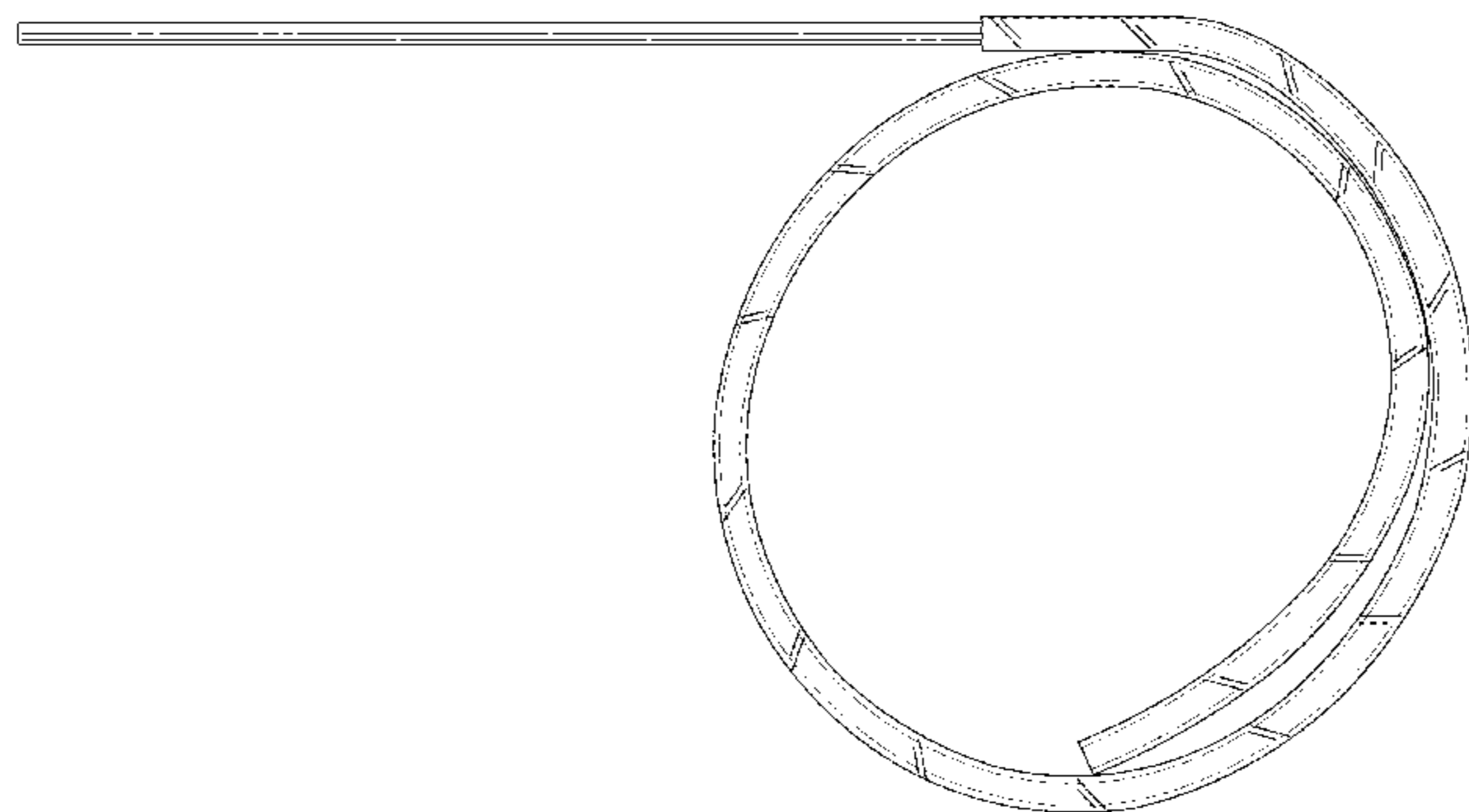
(57) **CLAIM**

The ornamental design for combustion enhancement tool, as shown and described.

DESCRIPTION

FIG. 1 is a left side view of a first embodiment of the combustion enhancement tool;
FIG. 2 is a right side view thereof;
FIG. 3 is a front view thereof;
FIG. 4 is a rear view thereof;
FIG. 5 is a top view thereof;
FIG. 6 is a bottom view thereof;
FIG. 7 is a top left front perspective view thereof; and
FIG. 8 is a side view thereof shown in a position of use.
FIG. 9 is a left side view of a second embodiment of the combustion enhancement tool;
FIG. 10 is a right side view thereof;
FIG. 11 is a front view thereof;
FIG. 12 is a rear view thereof;
FIG. 13 is a top view thereof;
FIG. 14 is a bottom view thereof;
FIG. 15 is a top left front perspective view thereof; and
FIG. 16 is a side view thereof shown in a position of use.
FIG. 17 is a left side view of a third embodiment of the combustion enhancement tool;
FIG. 18 is a right side view thereof;
FIG. 19 is a front view thereof;
FIG. 20 is a rear view thereof;
FIG. 21 is a top view thereof;
FIG. 22 is a bottom view thereof;
FIG. 23 is a top left front perspective view thereof; and,
FIG. 24 is a side view thereof shown in a position of use.
The broken lines shown in the drawings illustrates environment that form no part of the claim.

1 Claim, 15 Drawing Sheets



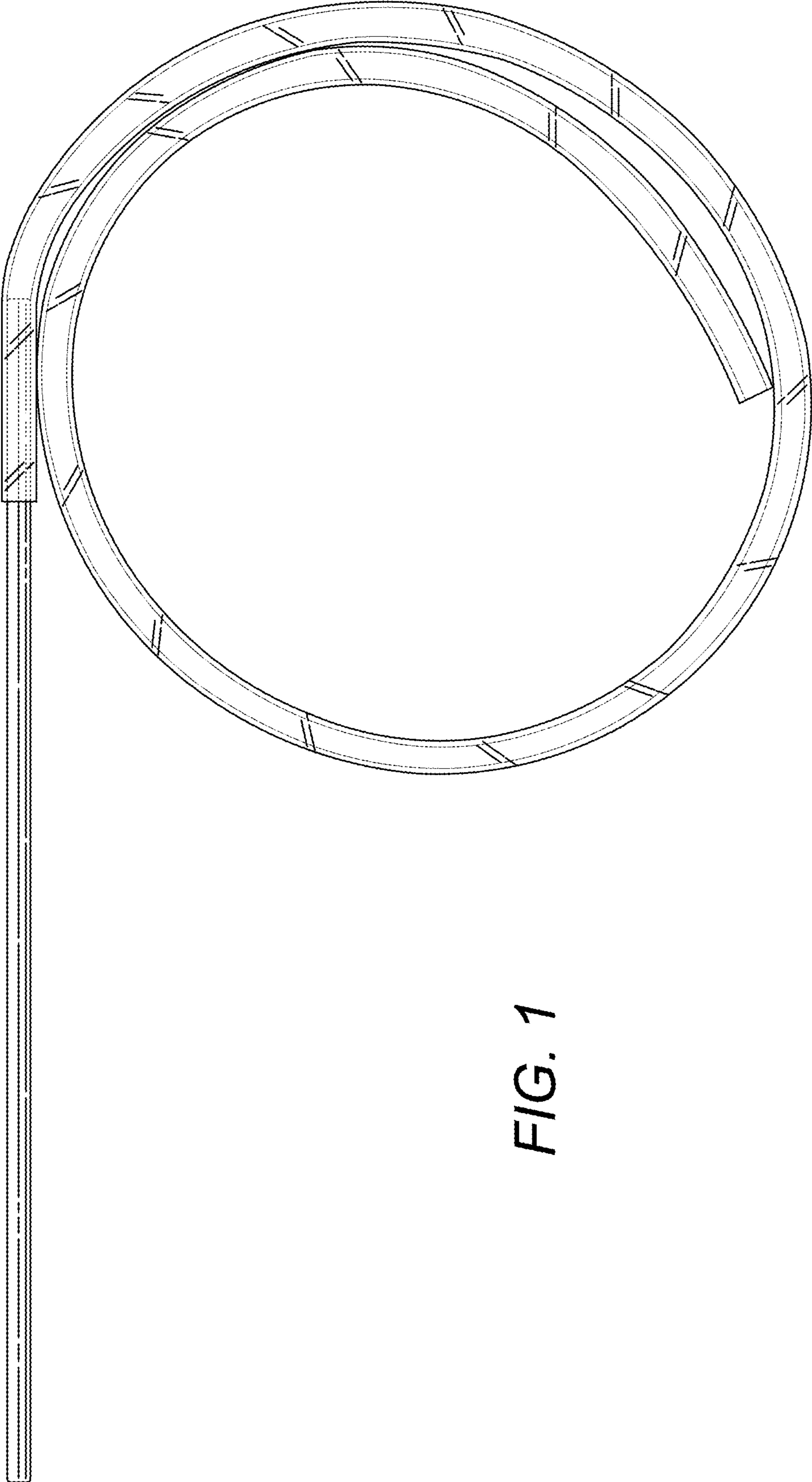


FIG. 1

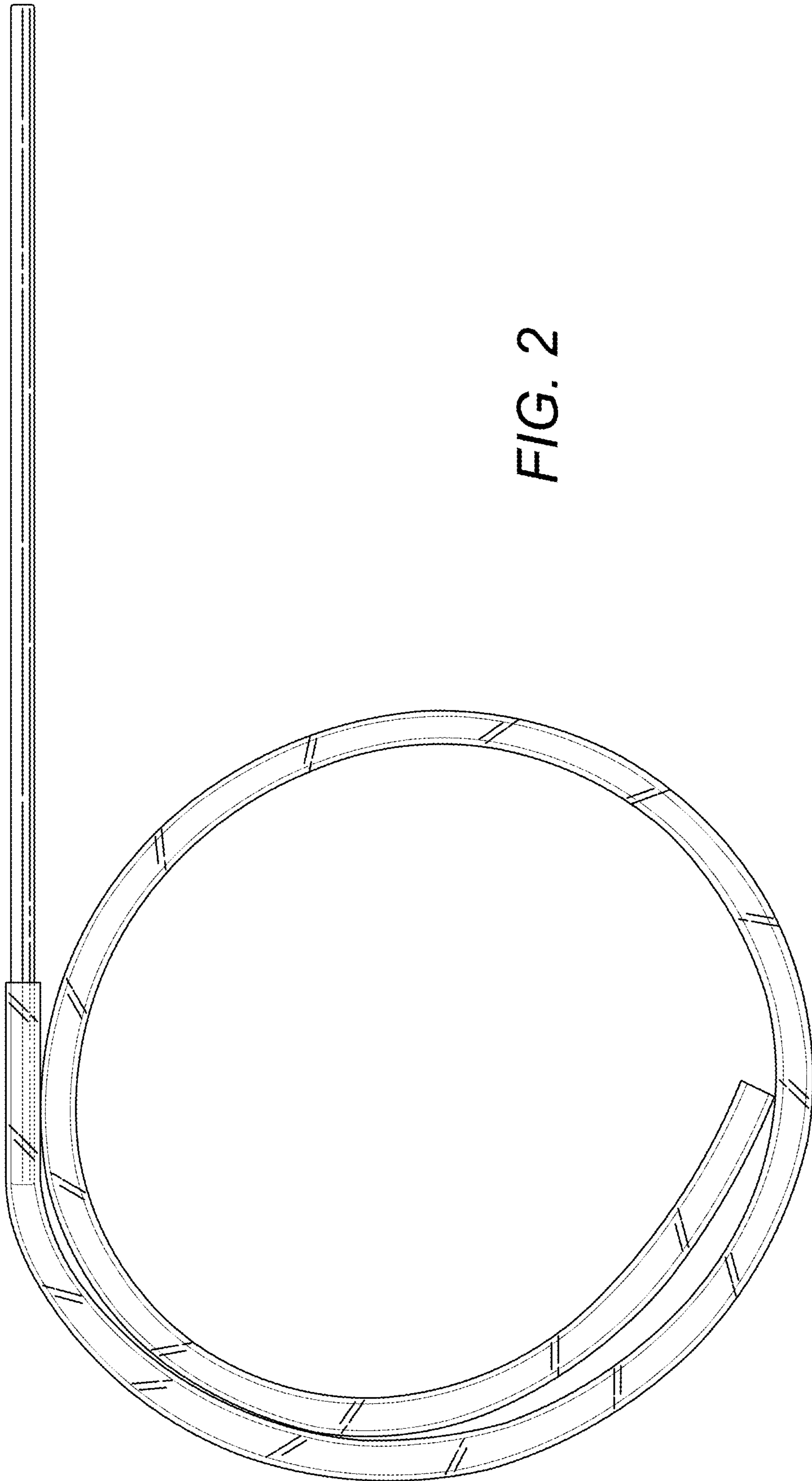


FIG. 2

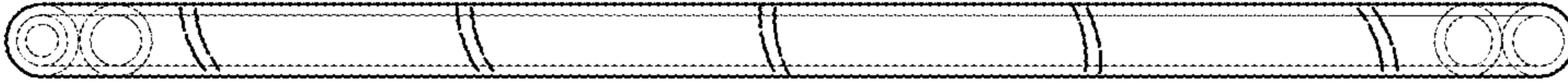


FIG. 4



FIG. 3



FIG. 5



FIG. 6

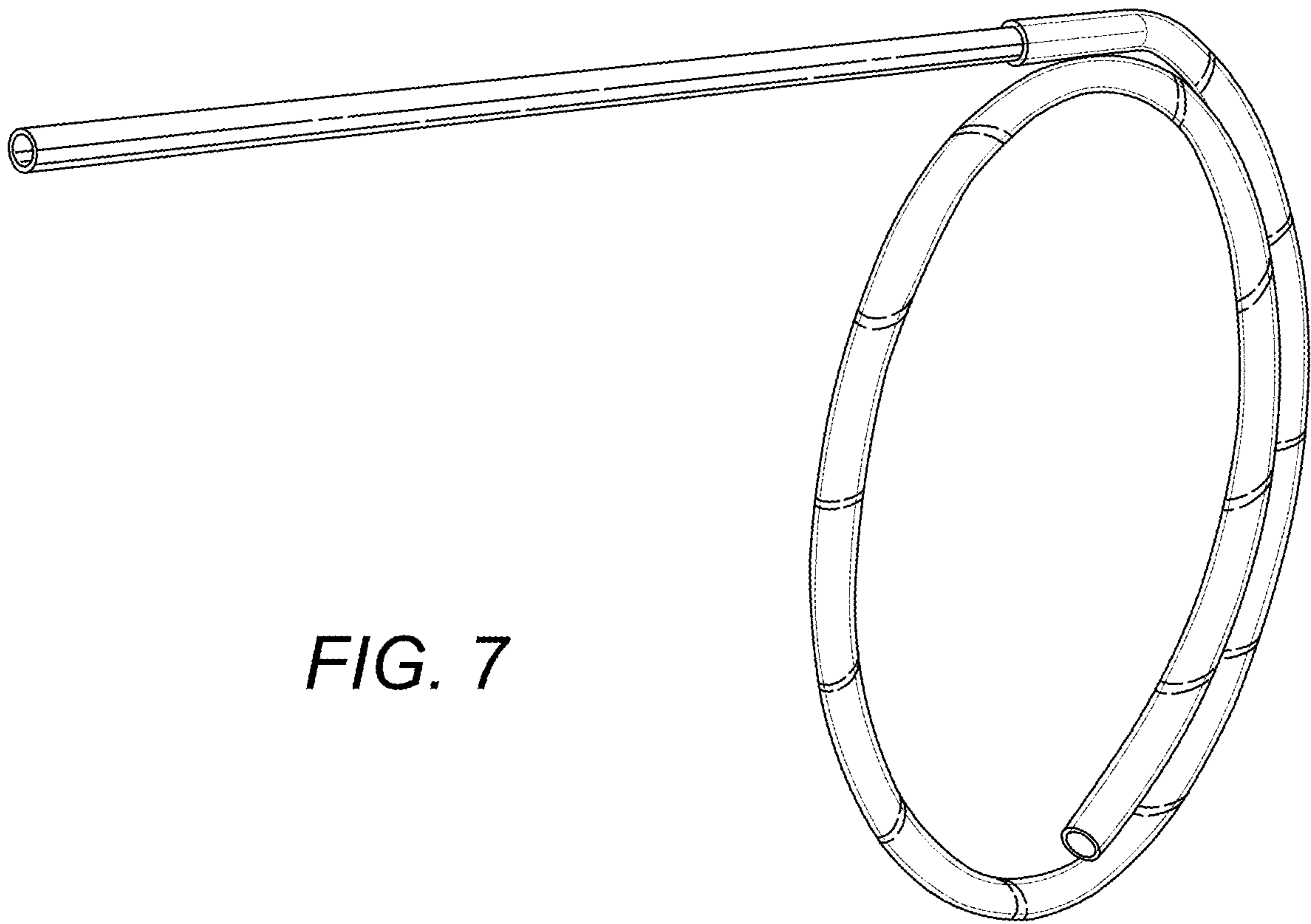


FIG. 7

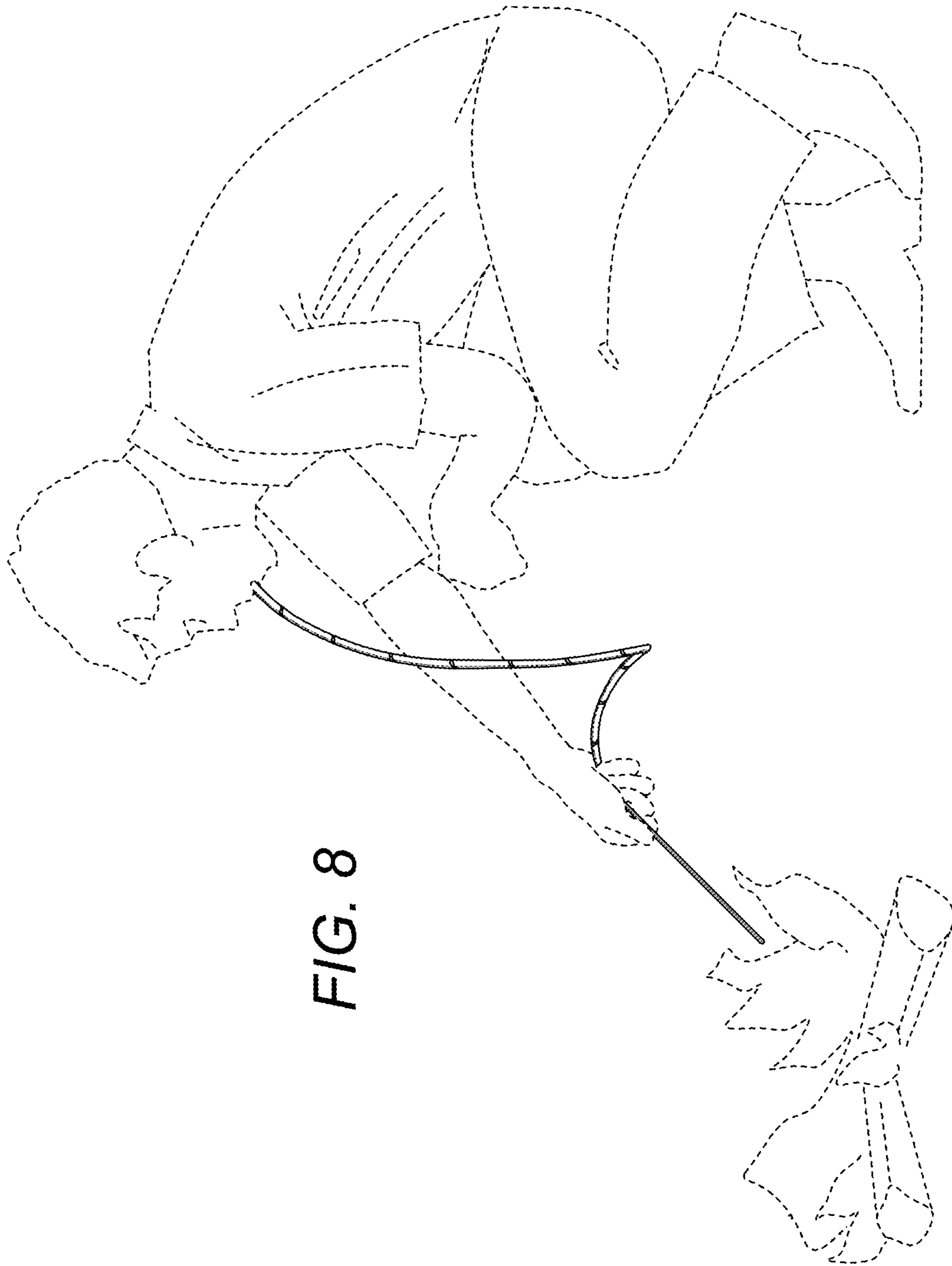


FIG. 8

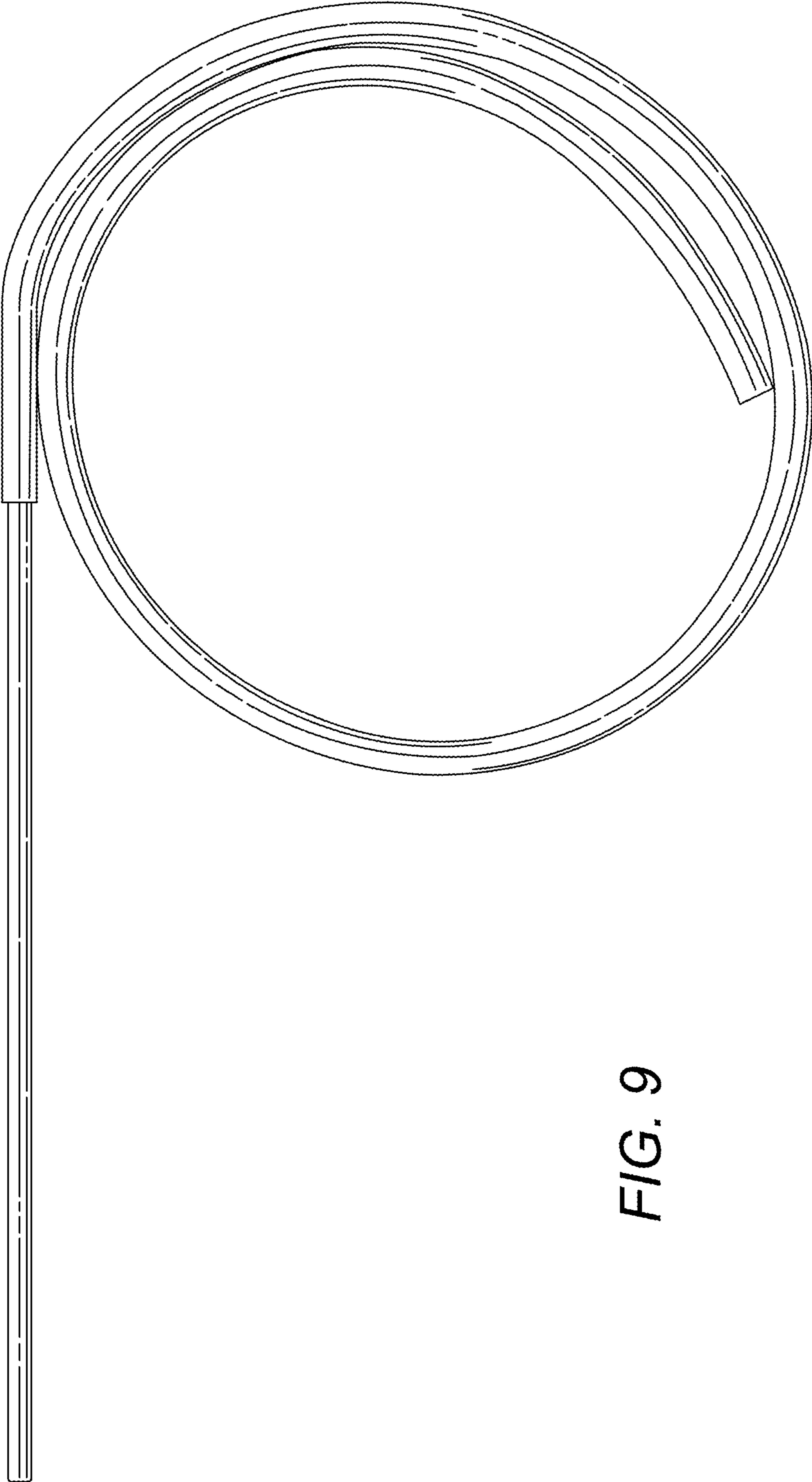


FIG. 9

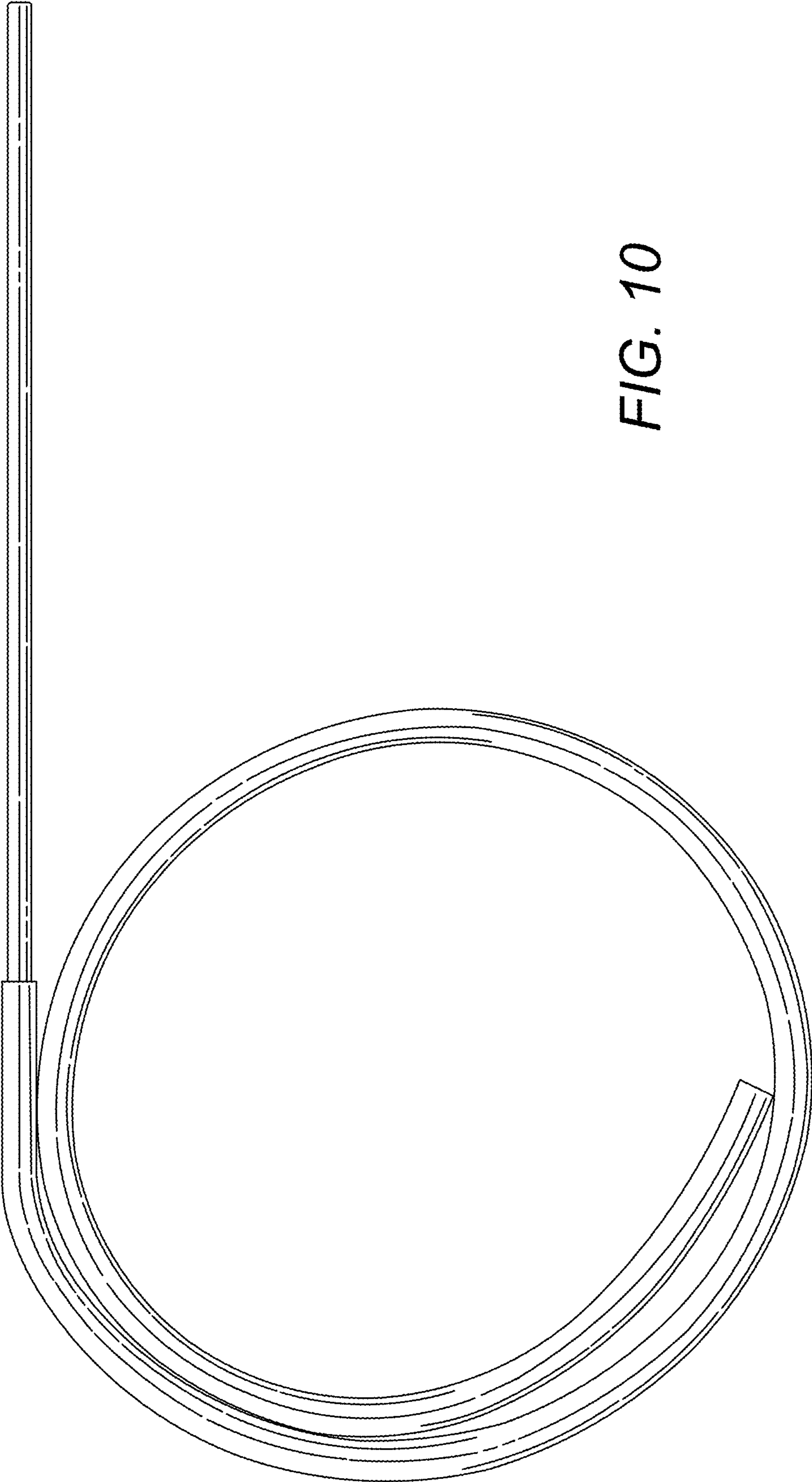


FIG. 10

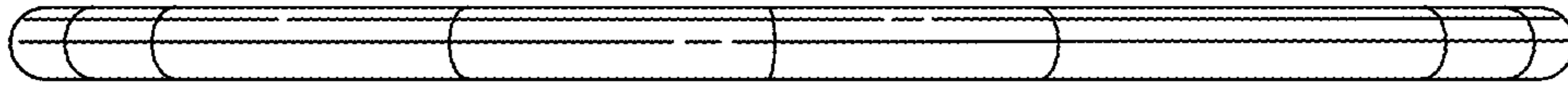


FIG. 11

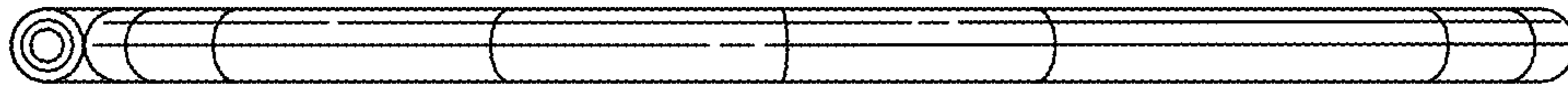


FIG. 12

FIG. 13



FIG. 14



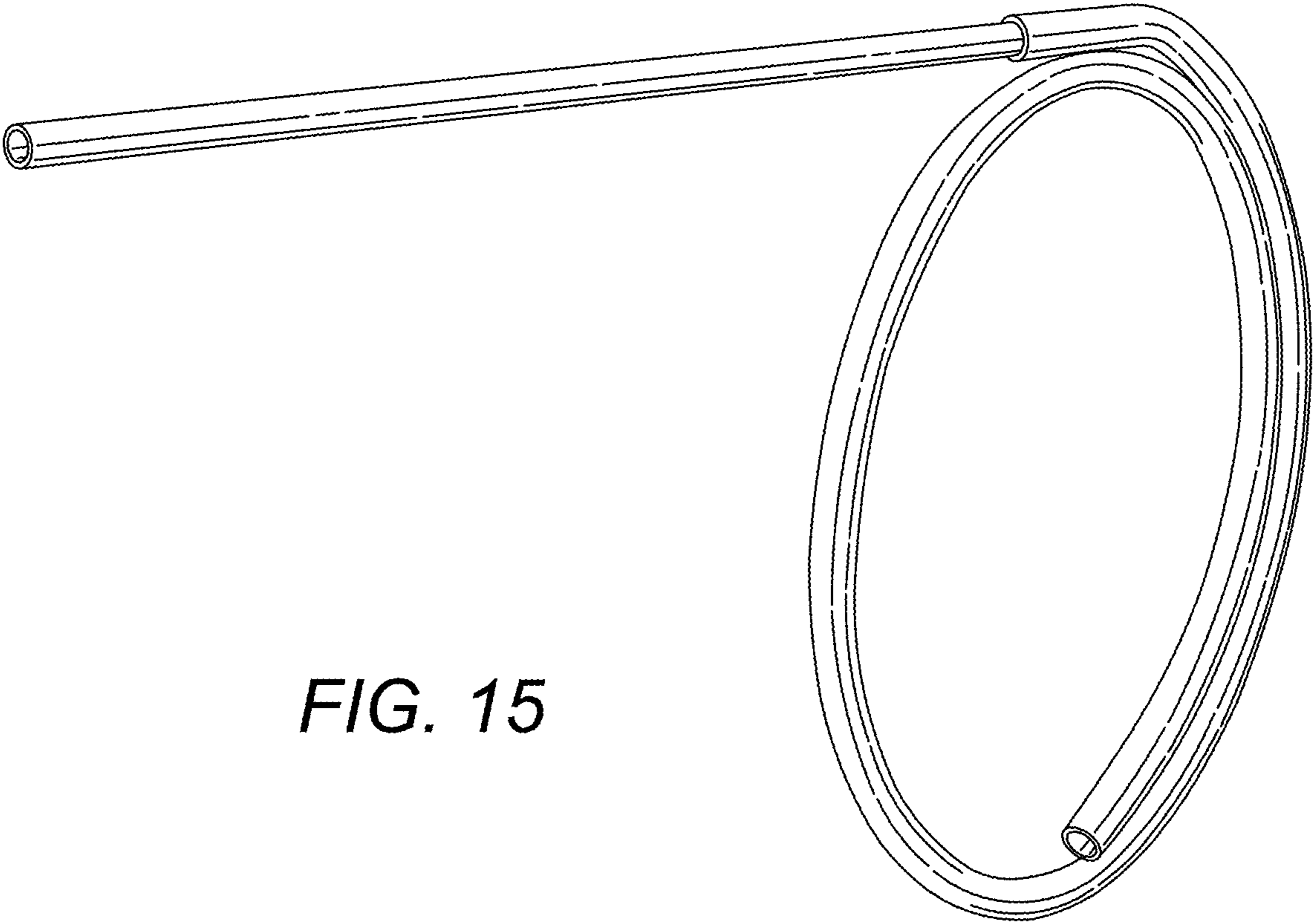


FIG. 15

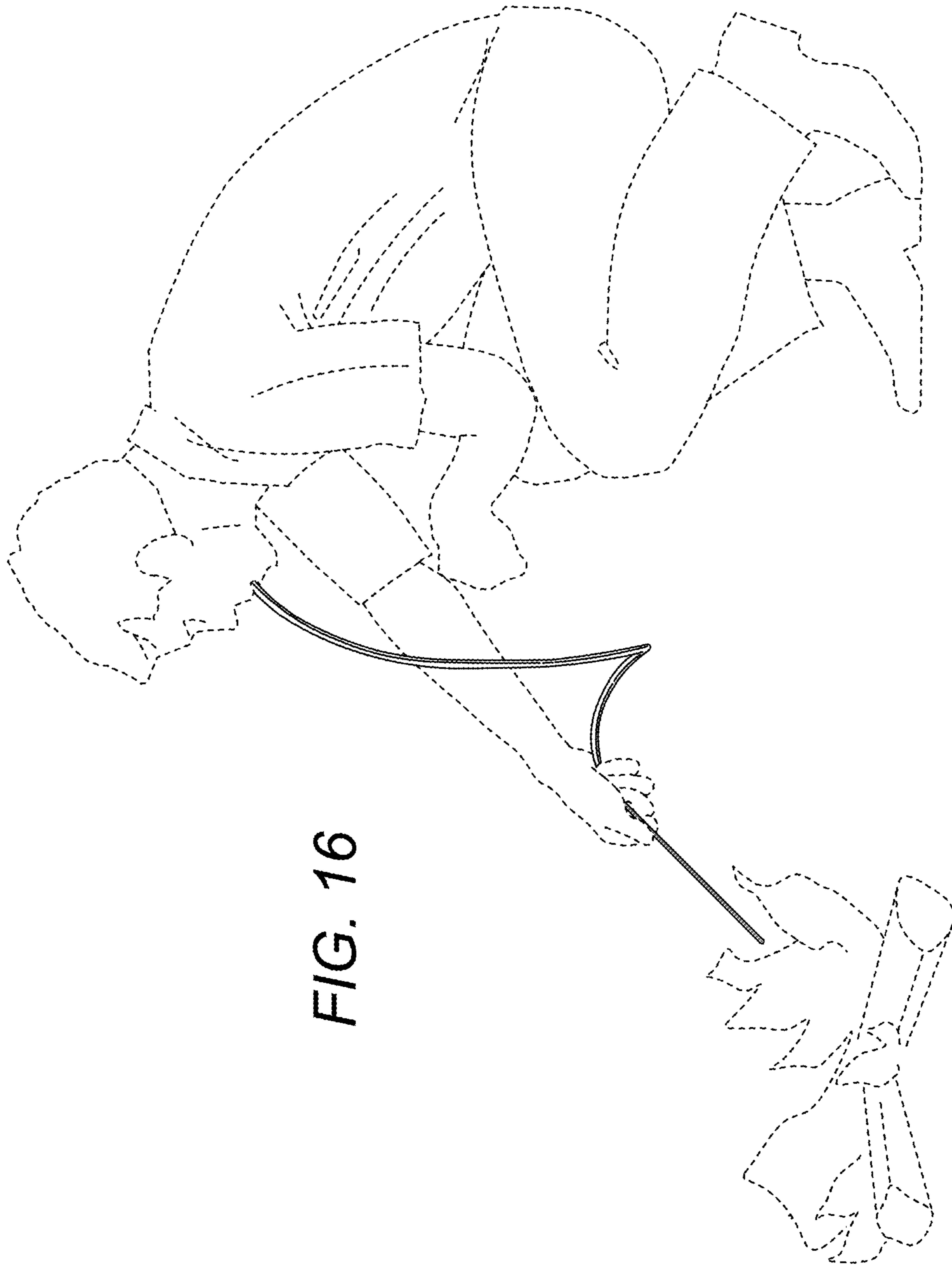


FIG. 16

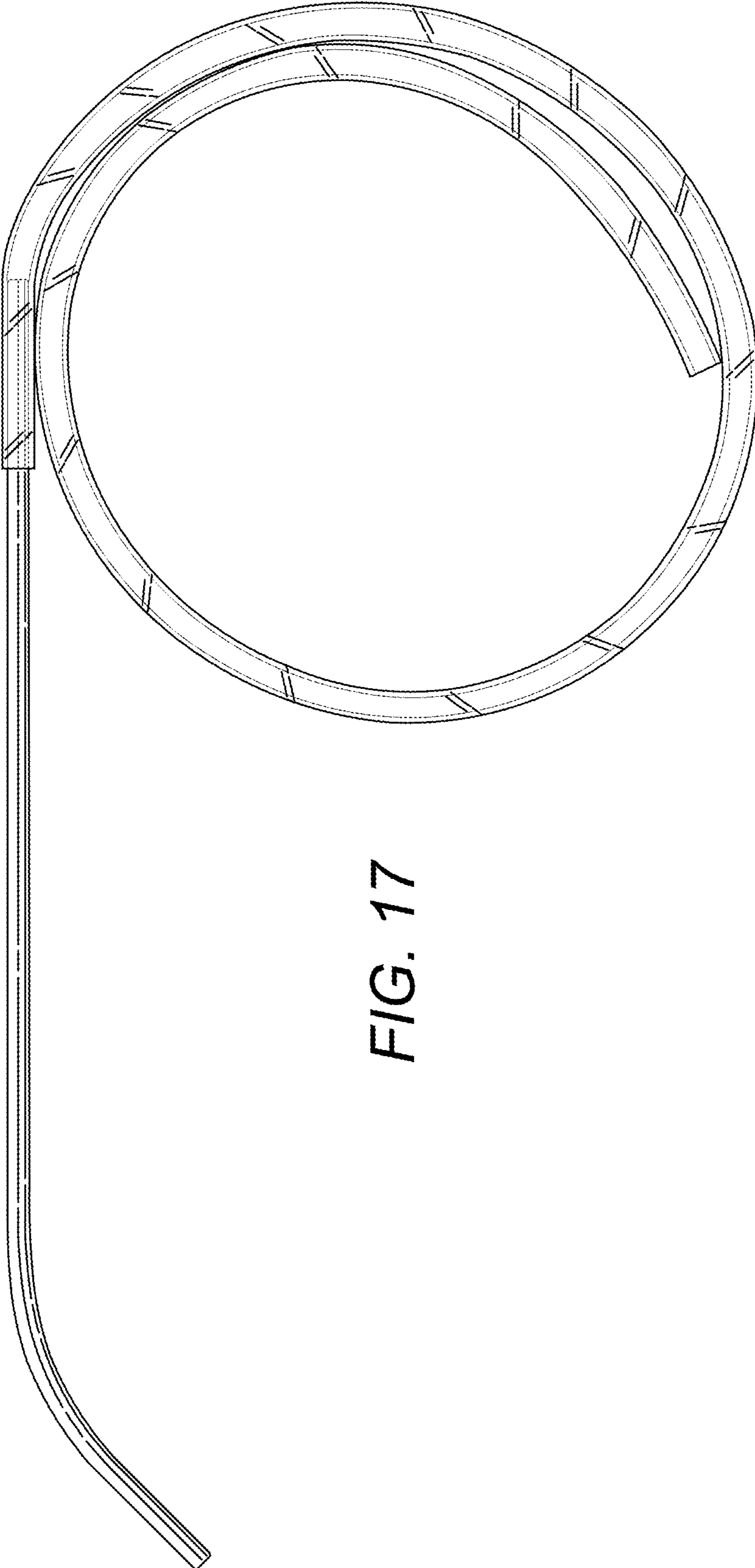


FIG. 17

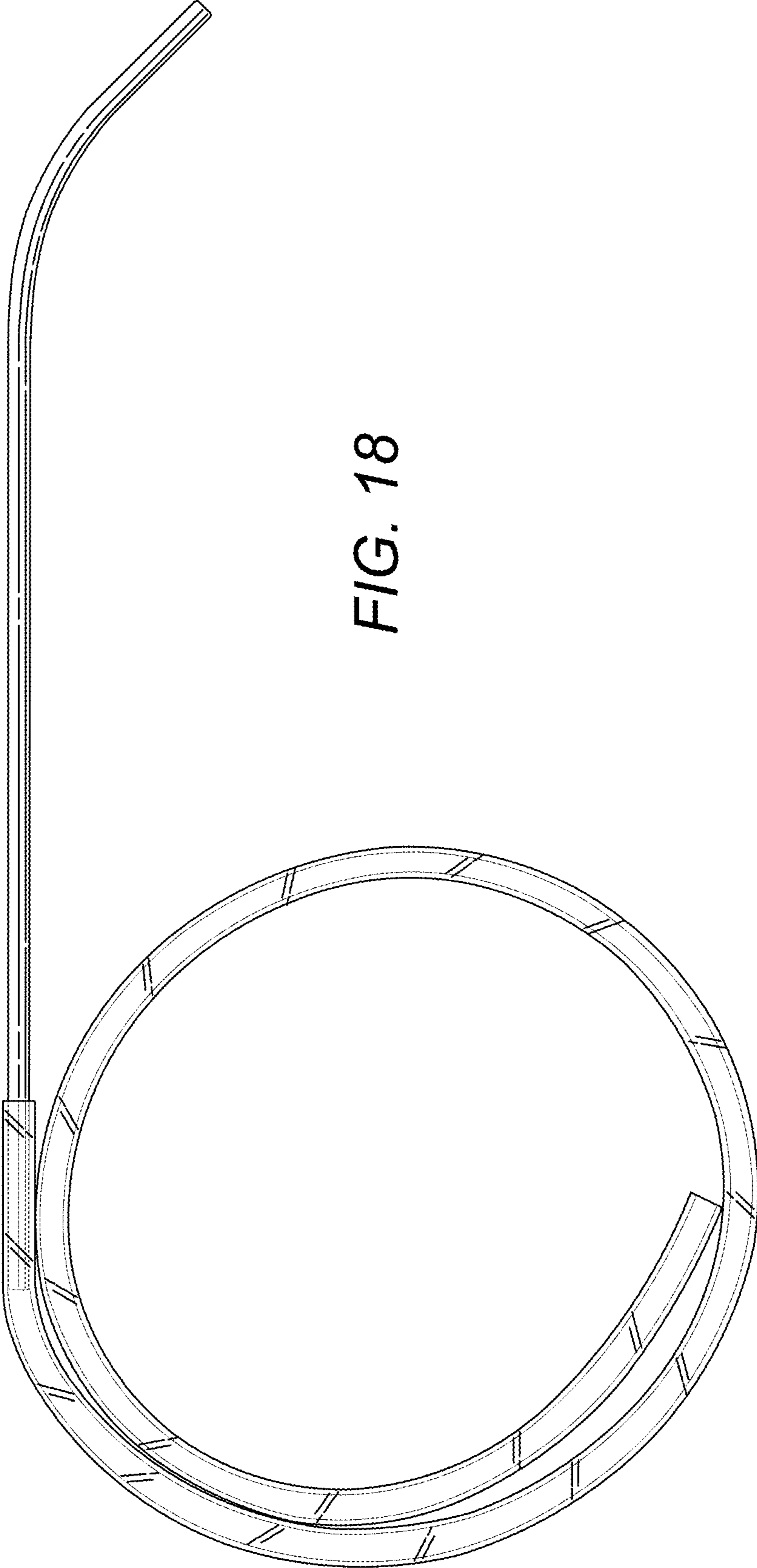


FIG. 18

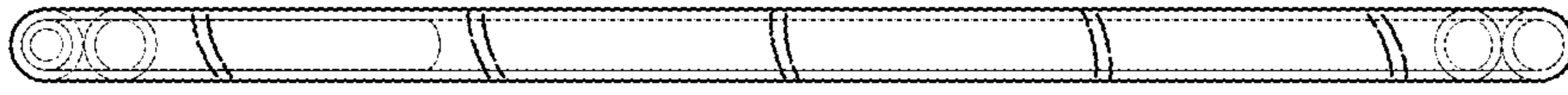


FIG. 20



FIG. 19

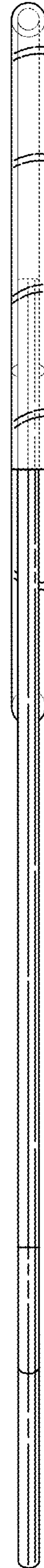


FIG. 21

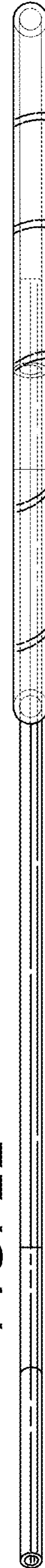


FIG. 22

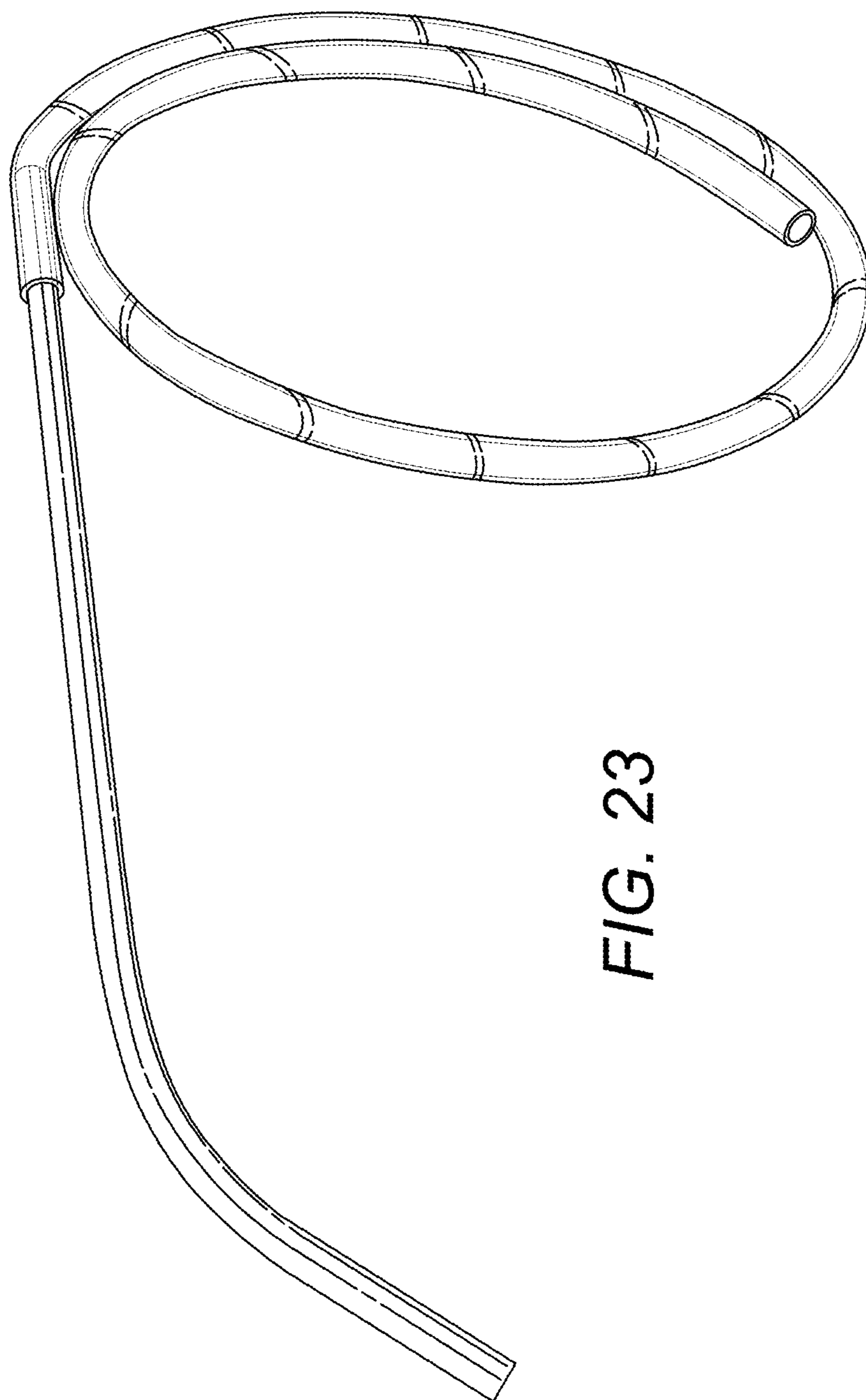


FIG. 23

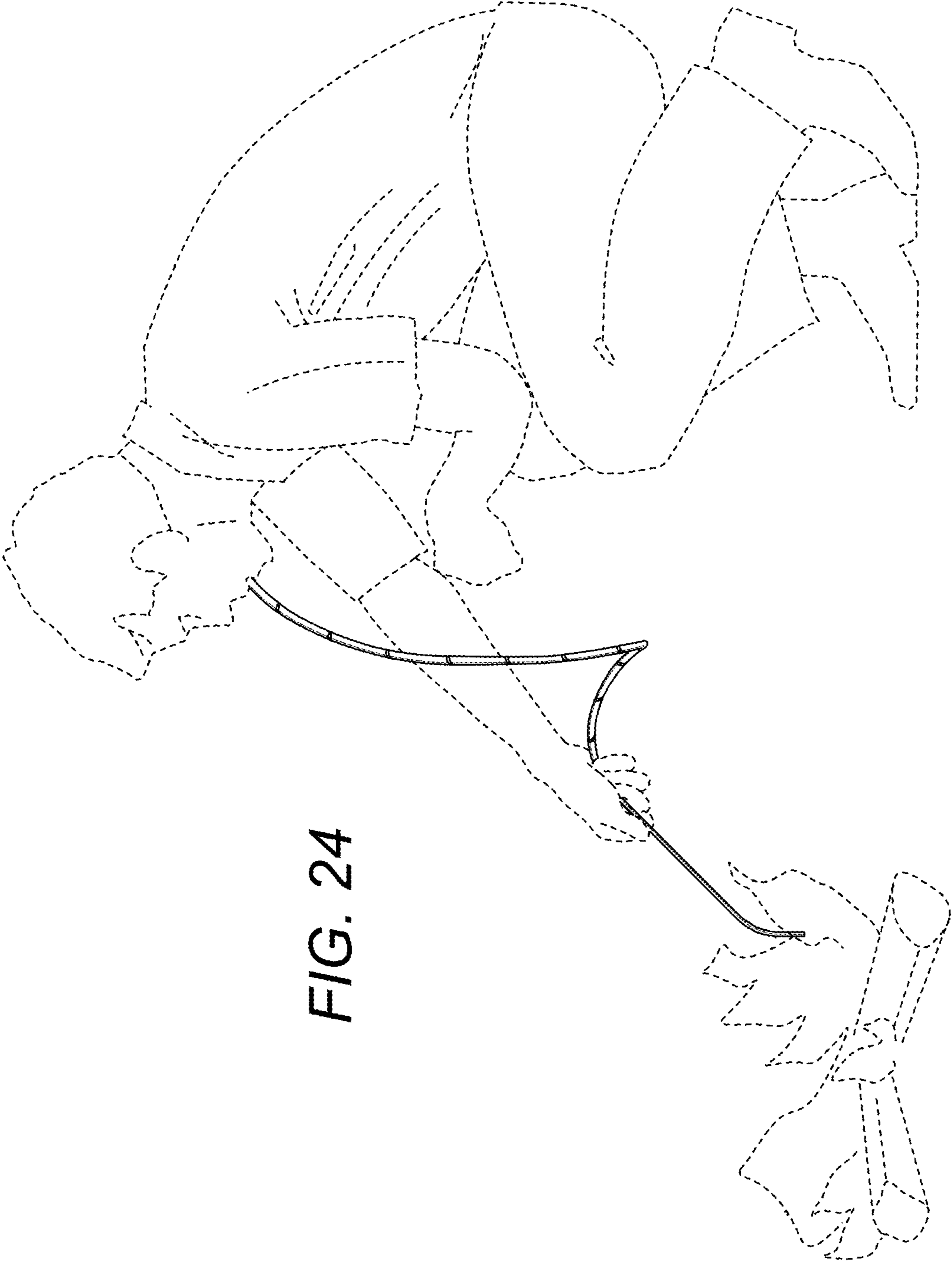


FIG. 24