

US00D930123S

(12) **United States Design Patent** (10) **Patent No.:** **US D930,123 S**
Garcia Blanco (45) **Date of Patent:** **** Sep. 7, 2021**

(54) **CONNECTOR FOR FLUIDS**

(71) Applicant: **J.JUAN S.A.U.**, Gava (ES)
(72) Inventor: **Joaquin Garcia Blanco**, Gava (ES)
(73) Assignee: **J.JUAN S.A.U.**, Gava (ES)
(**) Term: **15 Years**
(21) Appl. No.: **29/776,616**
(22) Filed: **Mar. 31, 2021**

Related U.S. Application Data

(62) Division of application No. 29/718,147, filed on Dec. 20, 2019, now Pat. No. Des. 921,855.

Foreign Application Priority Data

Oct. 23, 2019 (EM) 007082227-0001
Oct. 23, 2019 (EM) 007082227-0002
Oct. 23, 2019 (EM) 007082227-0003
Oct. 23, 2019 (EM) 007082227-0004
Oct. 23, 2019 (EM) 007082227-0005

(51) **LOC (13) Cl.** **23-01**
(52) **U.S. Cl.**
USPC **D23/262**; D13/144; D24/127
(58) **Field of Classification Search**
USPC 137/551-552; 251/331; D23/213, 233,
D23/235, 259-262, 264-266; 285/91,
285/345, 377, 388, 390, 16, 45, 148.22,
285/148.26, 244, 384, 395, 420;
D24/112, 127, 129, 108, 110.6, 113, 130;
D13/133, 154-156; 138/109; 604/535;
403/11, 34, 196-197, 222, 325, 329, 334,
403/343
CPC F16L 11/00
See application file for complete search history.

(56) **References Cited**

U.S. PATENT DOCUMENTS

D283,154 S * 3/1986 McKinnon D23/259
D314,234 S * 1/1991 Beaston D23/262
5,174,611 A * 12/1992 Byrd F16L 33/227
285/305
D471,475 S * 3/2003 Christiansen D10/103
7,108,296 B2 * 9/2006 Andre F16L 25/009
285/133.4
D550,334 S * 9/2007 De Alba D23/259
D608,415 S * 1/2010 Schmidt D23/233
D774,163 S * 12/2016 Solakian D23/213
2002/0053799 A1 * 5/2002 Brandt F02M 55/004
285/319
2003/0080556 A1 * 5/2003 Kilgore F02M 61/14
285/189
2009/0211654 A1 * 8/2009 Nobili F16L 39/02
137/597
2010/0187814 A1 * 7/2010 Garcia Blanco F16L 33/2071
285/238
2010/0264652 A1 * 10/2010 Mitterer F16L 39/02
285/397
2010/0276026 A1 * 11/2010 Powell F16L 53/32
138/114
2015/0091295 A1 * 4/2015 Meyer F16L 33/223
285/89

(Continued)

Primary Examiner — Amy C Wierenga

(74) *Attorney, Agent, or Firm* — Lucas & Mercanti, LLP

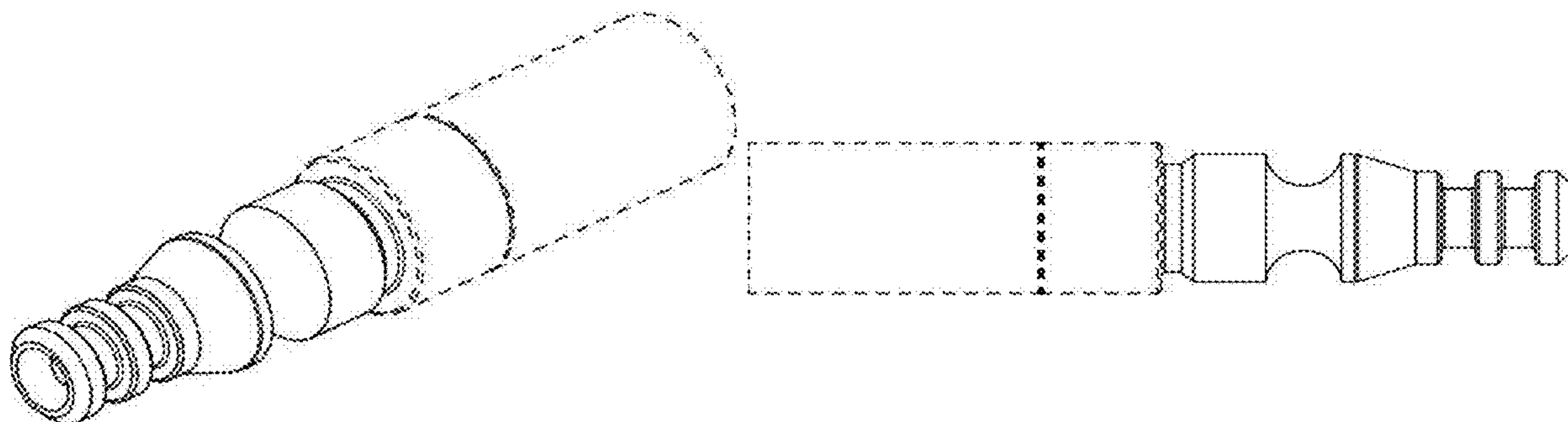
(57) **CLAIM**

The ornamental design for connector for fluids, as shown and described.

DESCRIPTION

FIG. 1 is a perspective view of a connector for fluids;
FIG. 2 is a front view thereof; and,
FIG. 3 is a side view thereof.
The broken lines which define the bounds of the claimed design form no part thereof.

1 Claim, 3 Drawing Sheets



(56)

References Cited

U.S. PATENT DOCUMENTS

2018/0080691 A1* 3/2018 Balzer F16L 25/00
2018/0266603 A1* 9/2018 Gnutti F16L 37/0925

* cited by examiner

Fig. 1

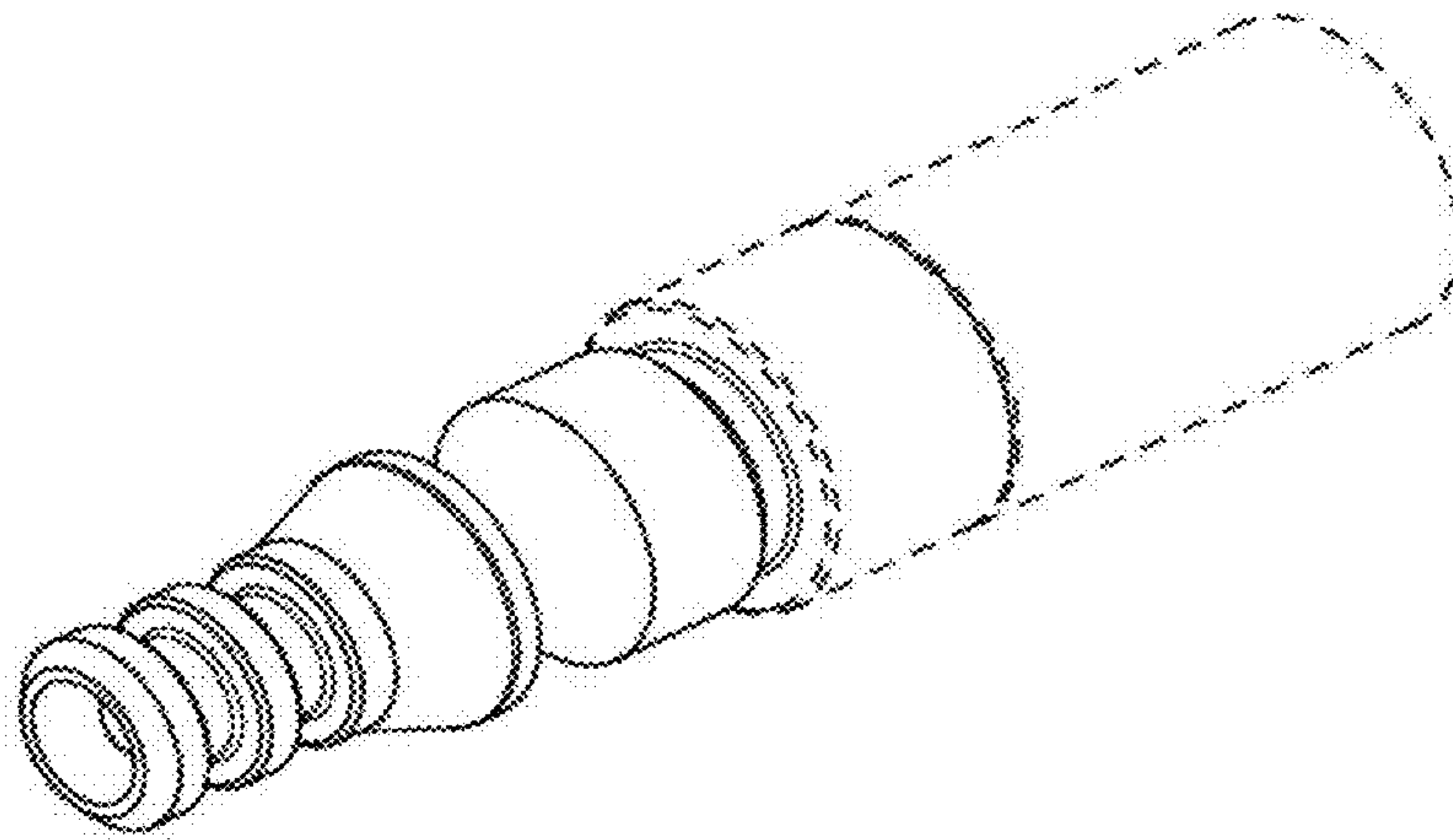


Fig. 2

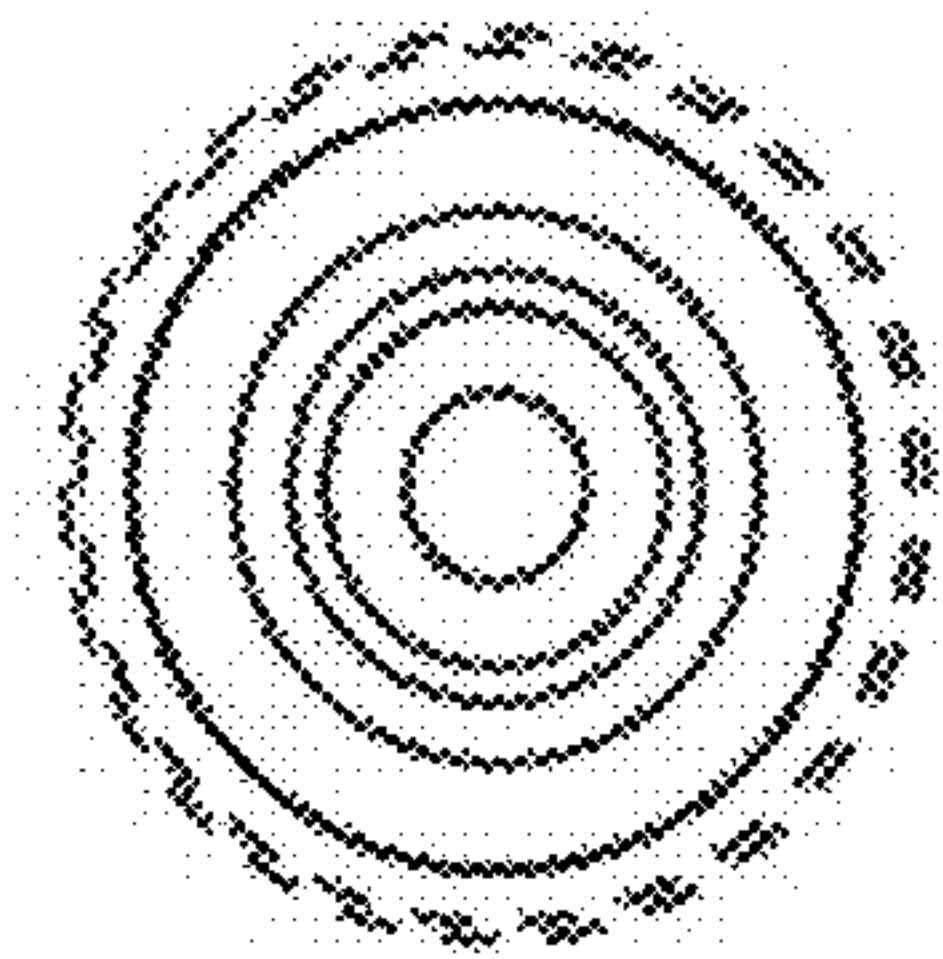


Fig. 3

